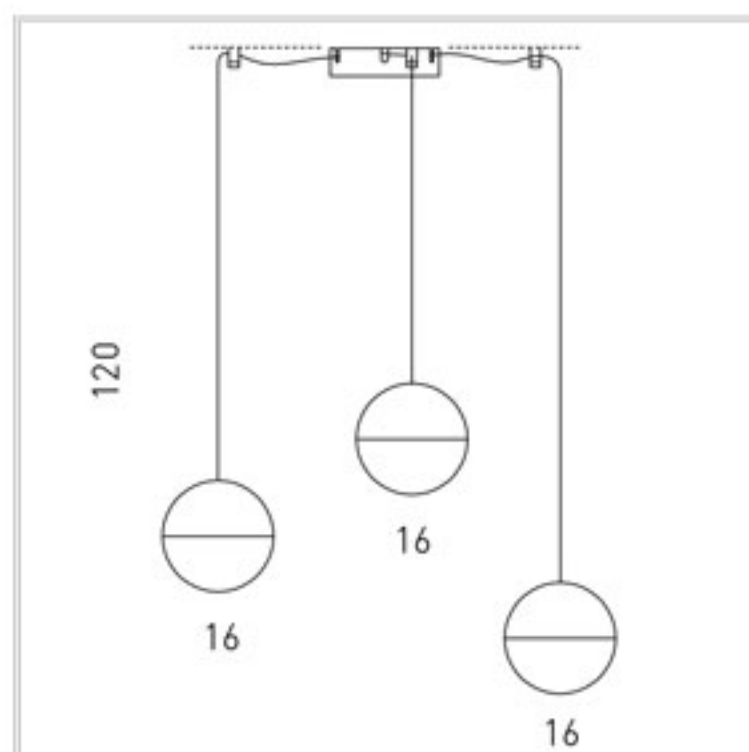
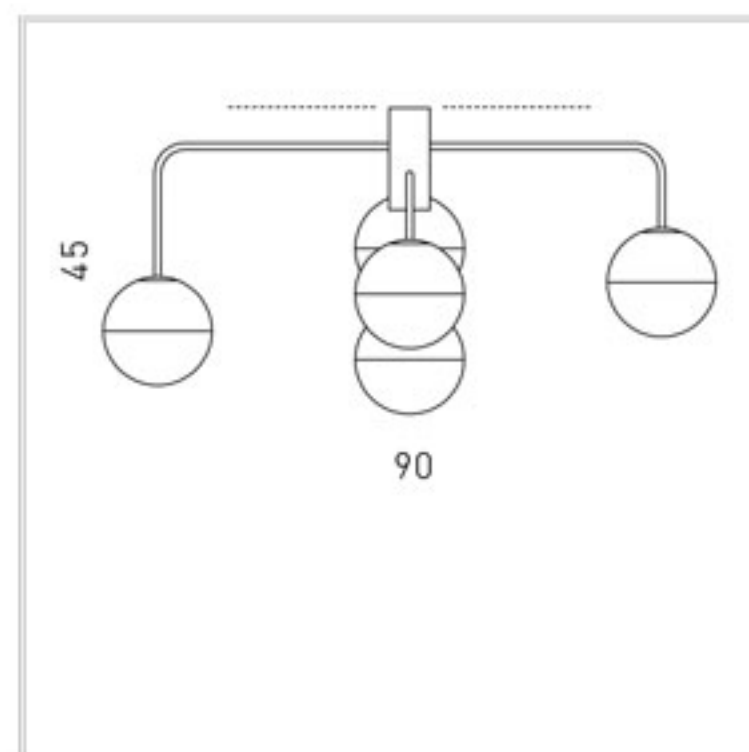


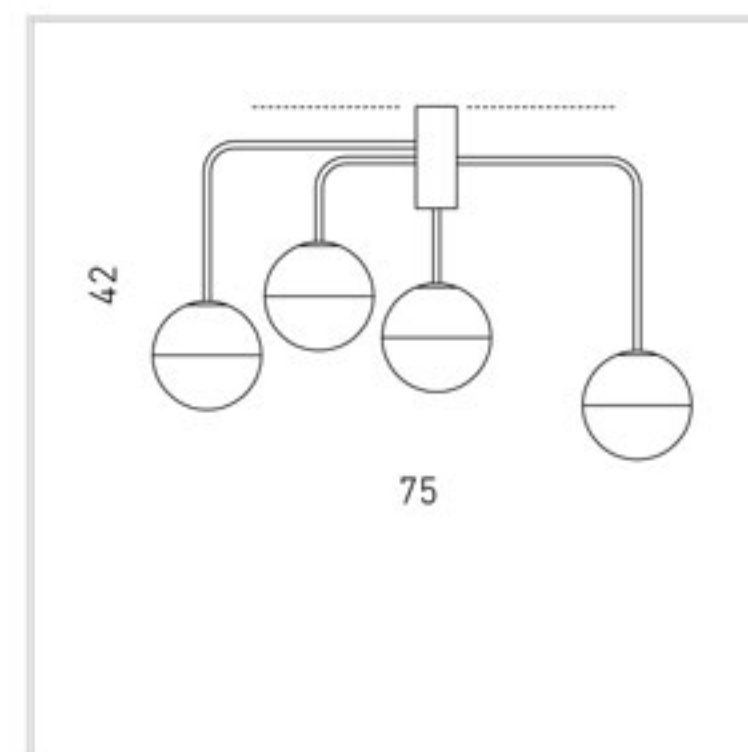
SP 7/315
 1 x 33W G9 **ECO** o/or
 1 x 3W G9 LED 3000K
 CE IP20 ▽ □



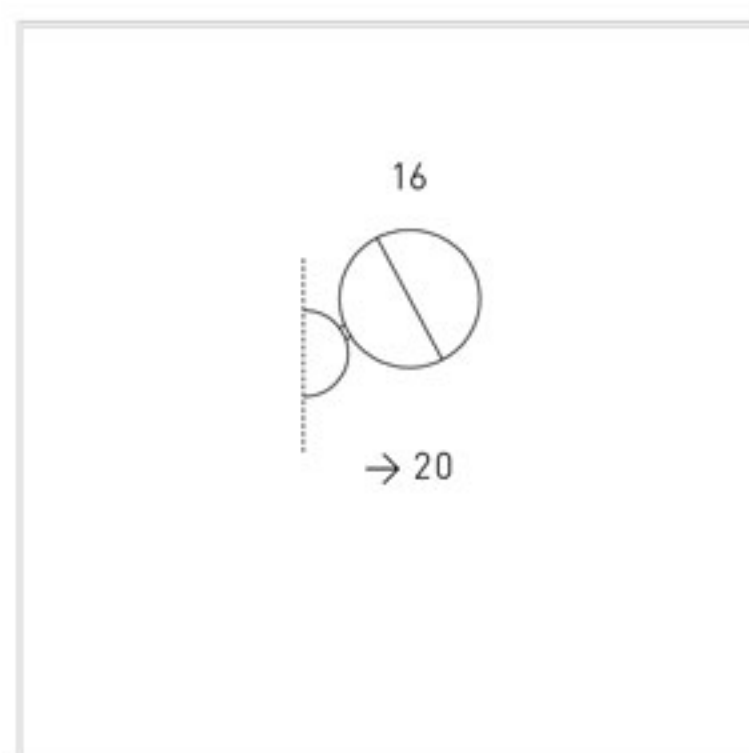
SP 8/315
 3 x 33W G9 **ECO** o/or
 3 x 3W G9 LED 3000K
 CE IP20 ▽



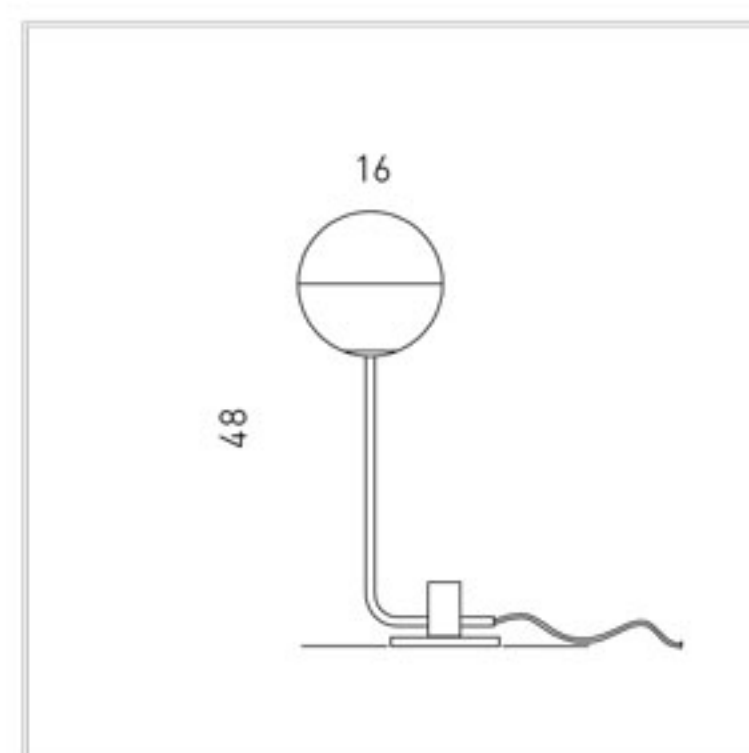
LS 5/315
 5 x 33W G9 **ECO** o/or
 5 x 3W G9 LED 3000K
 CE IP20 ▽



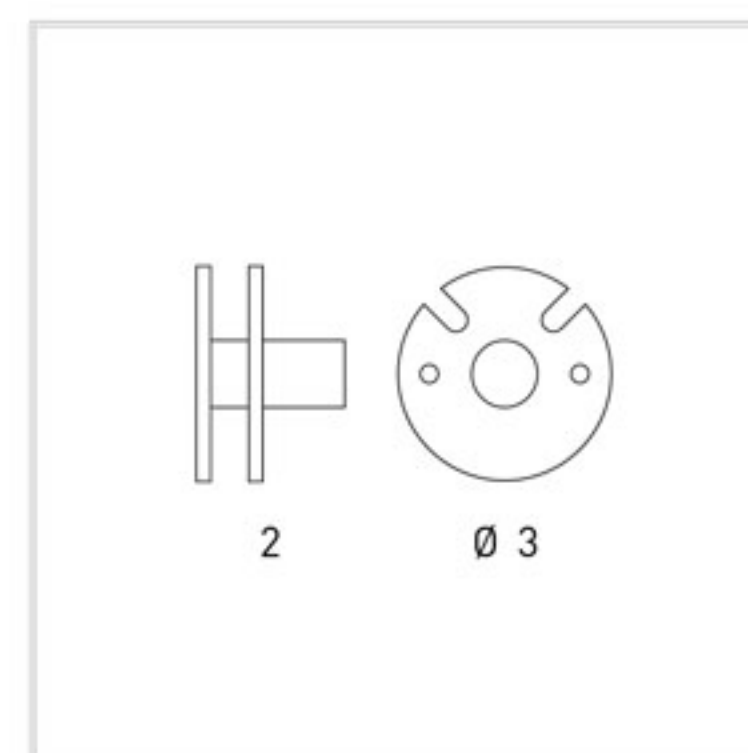
LS 4/315
 4 x 33W G9 **ECO** o/or
 4 x 3W G9 LED 3000K
 CE IP20 ▽



LP 6/315
 1 x 33W G9 **ECO** o/or
 1 x 3W G9 LED 3000K
 CE IP20 ▽ □



LT 1/315
 1 x 33W G9 **ECO** o/or
 1 x 3W G9 LED 3000K
 CE IP20 ▽ □



KIT SP/315
 2 supporti e cavo per sospensione
 Lunghezza massima 5 m.
 2 supports and cable length
 max 5 mt.

DIFFUSORE - LAMPSHADE



10
 trasparente
 transparent

01
 bianco
 white



35/10
 ottone
 trasparente
 brass
 transparent

01/61
 bianco
 interno bronzo
 white
 internal bronze

MONTATURA - FRAME



40
 bianco laccato
 lacquered
 white

46
 ottone antico
 antique brass

FAMILY BALL

STUDIO TEAM