



TI-P064-01
 ST Issue 12

Fig 34 Carbon Steel Strainer - EN Material

Description

The Fig 34 is a carbon steel integrally flanged Y-type strainer in EN material.

The standard stainless steel screen in the DN15 to DN80 is 0.8 mm perforations and in the DN100 to DN200 it is 1.6 mm perforations. As options, other perforation and mesh sizes are available as well as monel screens. The strainer cap can be drilled and tapped for blowdown and drain valves if required.

NB: A low temperature carbon steel strainer is available on request.

Standards

This product fully complies with the requirements of the European Pressure Equipment Directive 97/23/EC.

Certification

The product is available with a manufacturer's Typical Test Report as standard and certification to EN 10204 3.1 for body and cap by order. **Note:** All certification/inspection requirements must be stated at the time of order placement.

Optional extras

Strainer screens

Stainless steel screen	Perforations	1.6 mm	(DN15 to DN80)
		3.0 mm	(DN15 to DN200)
	Mesh	40, 100 and 200	
Monel screen	Perforations	0.8 mm	(DN15 to DN80)
		1.6 mm	(DN100 to DN200)
		3.0 mm	(DN15 to DN200)
	Mesh	100	

Blowdown or drain valve connections

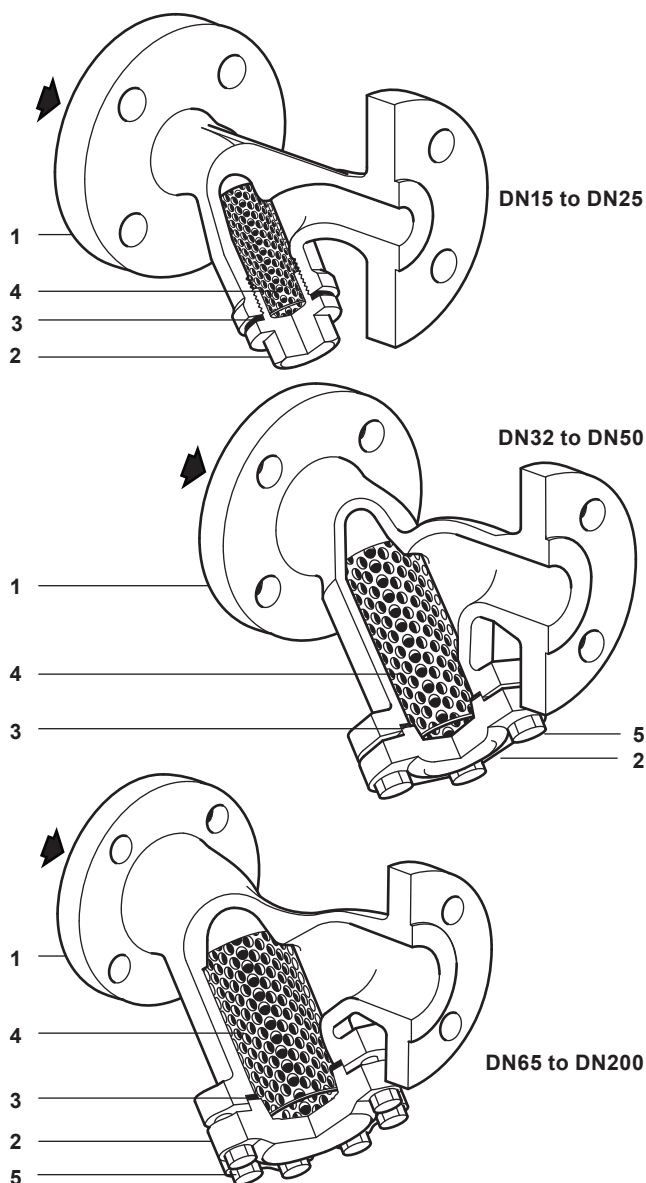
The cap can be drilled to the following sizes to enable a blowdown or drain valve to be fitted.

Strainer size	Blowdown valve	Drain valve
DN15	1/4"	1/4"
DN20 and DN25	1/2"	1/2"
DN32 and DN40	1"	3/4"
DN50 to DN125	1 1/4"	3/4"
DN150 and DN200	2"	3/4"

Sizes and pipe connections

DN15, DN20, DN25, DN32, DN40, DN50, DN65, DN80, DN100, DN125, DN150 and DN200

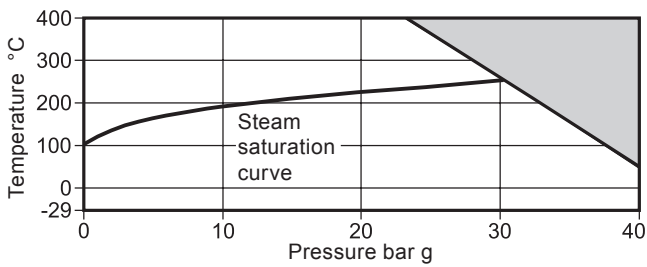
Standard flange EN 1092 PN40.



Materials

No.	Part	Material	
1	Body	Carbon steel	1.0619
2	Cap	DN15 - DN50 Forged steel	C22.8
		DN65 - DN200 Carbon steel	1.0619
3	Cap gasket	Reinforced exfoliated graphite	
4	Strainer screen	Stainless steel	ASTM A240 316L
5	Bolts	Stainless steel	AD MBI W2 A2-70

Pressure/temperature limits



The product **must not** be used in this region.

Body design conditions	PN40
PMA Maximum allowable pressure	40 bar g @ 50 °C
TMA Maximum allowable temperature	400 °C @ 23.8 bar g
Minimum allowable temperature	-29 °C
PMO Maximum operating pressure	40 bar g @ 50 °C
TMO Maximum operating temperature	400 °C @ 23.8 bar g
Minimum operating temperature	-29 °C
Designed for a maximum cold hydraulic test pressure of 69 bar g	

K_v values

Size	DN15	DN20	DN25	DN32	DN40	DN50	DN65	DN80	DN100	DN125	DN150	DN200
Perforations 0.8, 1.6 and 3.0 mm	5	8	13	22	29	46	72	103	155	237	340	588
Mesh 40 and 100	5	8	13	22	29	46	72	103	155	237	340	588
Mesh 200	4	6	10	17	23	37	58	83	124	186	268	464

For conversion:

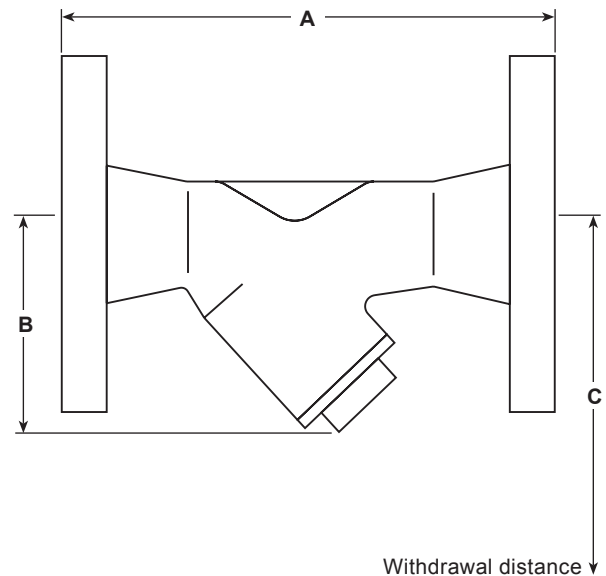
$$C_V (\text{UK}) = K_V \times 0.963$$

$$C_V (\text{US}) = K_V \times 1.156$$

Dimensions/weights (approximate) in mm and kg

Size	PN40			Screening area cm ²	Weight
	A	B	C		
DN15	130	70	110	27	2.1
DN20	150	80	130	43	2.9
DN25	160	95	150	73	3.8
DN32	180	130	235	135	6.5
DN40	200	146	260	164	9.0
DN50	230	180	320	251	10.5
DN65	290	200	325	327	17.5
DN80	310	205	330	361	24.0
DN100	351	255	405	545	30.0
DN125	400	315	510	843	49.0
DN150	480	345	560	1117	68.0
DN200	600	440	710	1909	128.0

DN15 to DN25



Safety information, installation and maintenance

For full details see the Installation and Maintenance Instructions (IM-S60-18) supplied with the product.

Installation note:

The strainer should be installed in the direction of flow, as indicated on the body. On applications involving steam or gases the pocket should be in the horizontal plane. On liquid systems the pocket should point downwards.

Disposal:

This product is recyclable. No ecological hazard is anticipated with disposal of this product, providing due care is taken.

How to order

Example: 1 off Spirax Sarco DN40 Fig 34 strainer flanged to EN 1092 PN40 with stainless steel screen having 0.8 mm perforations.

Spare parts

The spare parts available are shown in solid outline. Parts drawn in a grey line are not supplied as spares.

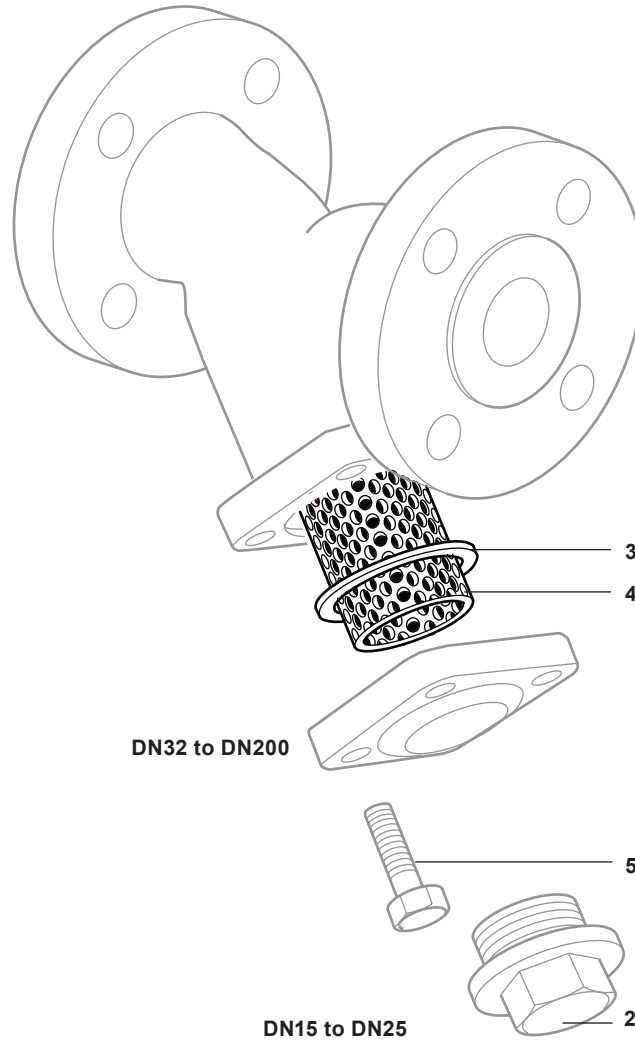
Available spares

Strainer screen (state material, perforations or mesh and size of strainer)	4
Cap gasket (packet of 3)	3



How to order spares

Always order spares by using the description given in the column headed 'Available spares' and state the size and type of strainer and perforation or mesh required.

Example: 1 - Strainer screen, stainless steel having 0.8 mm perforations for a DN50 Spirax Sarco Fig 34 strainer having EN 1092 PN40 connections.



Recommended tightening torques

Item	Size	Qty	 or mm		N m
2	DN15	1	22	M28	50 - 55
	DN20	1	27	M32	60 - 66
	DN25	1	27	M42	100 - 110
5	DN32 to DN65	4	19	M12 x 30	20 - 24
	DN80	4	19	M12 x 35	30 - 35
	DN100	8	24	M16 x 45	50 - 55
	DN125	8	30	M20 x 50	70 - 77
	DN150	8	30	M20 x 55	80 - 88
	DN200	12	36	M24 x 65	120 - 130