

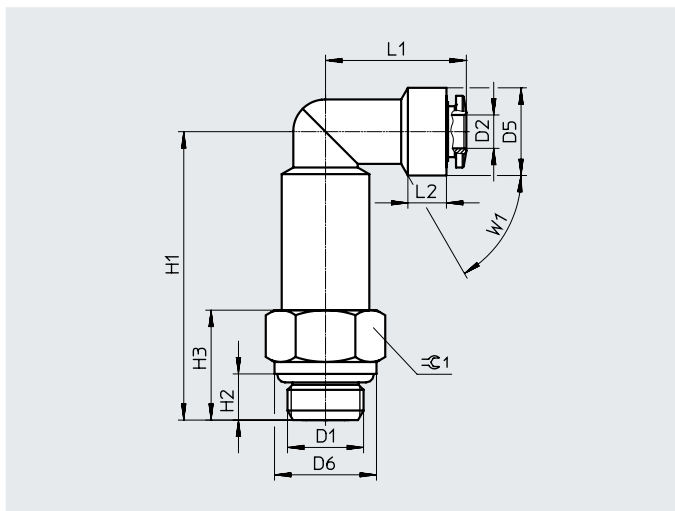
Datasheet

Push-in L-fitting, long NPQH-LL

Rotatable 360°

Male thread

with external hex

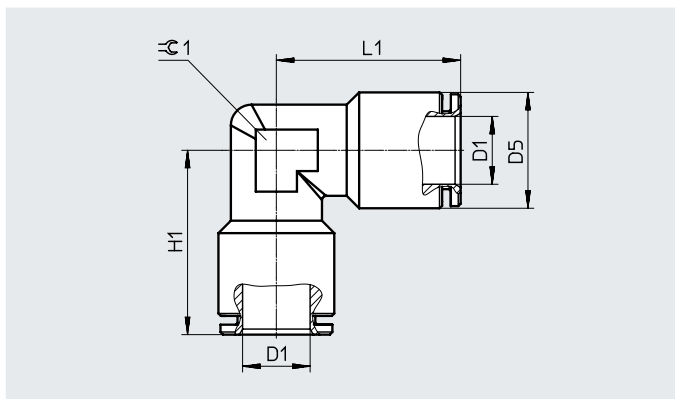


Dimensions and ordering data

| Connection | Nominal width [mm] | Tubing O.D. D2 | Max. tightening torque [Nm] | D5 ø | D6 ø | H1 | H2 | H3 | L1 | L2 | W1 | ≅ 1 | Weight/piece [g] | Part no. | Type | PU ¹⁾ |
|-----------------------------------|--------------------|----------------|-----------------------------|------|------|------|-----|------|------|----|----|-----|------------------|----------|---------------------|------------------|
| D1 | | | | ±0.5 | ±0.5 | ±1 | | | ±1 | | | | | | | |
| G thread with sealing ring | | | | | | | | | | | | | | | | |
| G1/8 | 3 | 4 | 10 | 9 | 13 | 29 | 5 | 9.5 | 19.5 | - | - | 13 | 25.7 | 578263 | NPQH-LL-G18-Q4-P10 | 10 |
| | 5 | 6 | 10 | 12 | 13 | 32 | 5 | 9.5 | 22 | 10 | 45 | 13 | 31.1 | 578264 | NPQH-LL-G18-Q6-P10 | 10 |
| | 6 | 8 | 10 | 14 | 13 | 34 | 5 | 9.5 | 22.5 | 11 | 30 | 13 | 36.1 | 578265 | NPQH-LL-G18-Q8-P10 | 10 |
| G1/4 | 5 | 6 | 15 | 12 | 16 | 35.5 | 6.5 | 13 | 22 | 10 | 45 | 13 | 30.9 | 578266 | NPQH-LL-G14-Q6-P10 | 10 |
| | 6 | 8 | 15 | 14 | 16 | 37.5 | 6.5 | 13 | 22.5 | 11 | 30 | 13 | 36.2 | 578267 | NPQH-LL-G14-Q8-P10 | 10 |
| | 8.5 | 10 | 15 | 16 | 16 | 39 | 6.5 | 11.5 | 26 | 12 | 45 | 16 | 54.3 | 578268 | NPQH-LL-G14-Q10-P10 | 10 |
| G3/8 | 8.5 | 10 | 25 | 16 | 20 | 42.5 | 7 | 15 | 26 | 12 | 45 | 16 | 50.8 | 578269 | NPQH-LL-G38-Q10-P10 | 10 |

1) Packaging unit

Push-in L-connector NPQH-L



Dimensions and ordering data

| Tubing O.D. D1 | Nominal width [mm] | D5 ø | H1 | L1 | ≅ 1 | Weight/piece [g] | Part no. | Type | PU ¹⁾ |
|----------------|--------------------|------|------|------|-----|------------------|----------|------------------|------------------|
| 4 | 3 | 9 | 17.5 | 17.5 | 8 | 8.9 | 578270 | NPQH-L-Q4-E-P10 | 10 |
| 6 | 5 | 12 | 20.5 | 20.5 | 10 | 17.2 | 578271 | NPQH-L-Q6-E-P10 | 10 |
| 8 | 7 | 14 | 22.5 | 22.5 | 12 | 22.7 | 578272 | NPQH-L-Q8-E-P10 | 10 |
| 10 | 9 | 16 | 25 | 25 | 14 | 29.2 | 578273 | NPQH-L-Q10-E-P10 | 10 |
| 12 | 11 | 19 | 26.5 | 26.5 | 18 | 48.6 | 578274 | NPQH-L-Q12-E-P10 | 10 |
| 14 | 12 | 22 | 31.5 | 31.5 | 18 | 61.3 | 578275 | NPQH-L-Q14-E-P10 | 10 |

1) Packaging unit