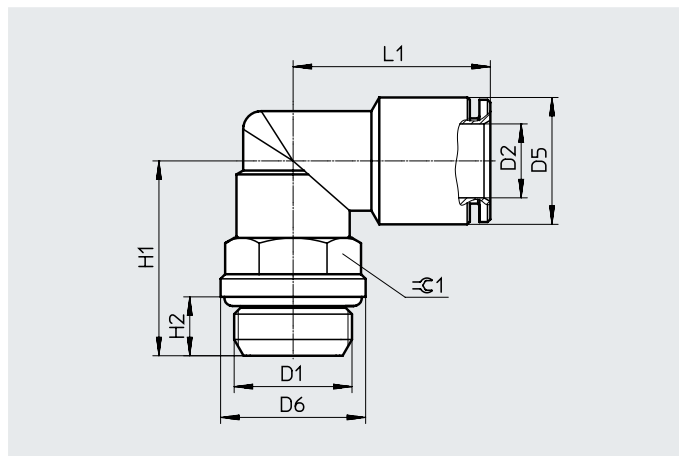


# Datasheet

## Push-in L-fitting NPQH-L

Rotatable 360°

Male thread  
with external hex



| Dimensions and ordering data      |               |             |                             |                  |                  |      |     |      |           |                   |          |                    |                  |
|-----------------------------------|---------------|-------------|-----------------------------|------------------|------------------|------|-----|------|-----------|-------------------|----------|--------------------|------------------|
| Connection                        | Nominal width | Tubing O.D. | Max. tightening torque [Nm] | D5 $\varnothing$ | D6 $\varnothing$ | H1   | H2  | L1   | $\pm 0.1$ | Weight/ piece [g] | Part no. | Type               | PU <sup>1)</sup> |
| D1                                | [mm]          | D2          |                             |                  |                  |      |     |      |           |                   |          |                    |                  |
| <b>M thread with sealing ring</b> |               |             |                             |                  |                  |      |     |      |           |                   |          |                    |                  |
| M5                                | 2.5           | 4           | 1.5                         | 9                | 8                | 14   | 4   | 17.5 | 9         | 8.9               | 578276   | NPQH-L-M5-Q4-P10   | 10               |
|                                   | 2.5           | 6           | 1.5                         | 12               | 8                | 14   | 4   | 20.5 | 9         | 12.2              | 578277   | NPQH-L-M5-Q6-P10   | 10               |
| M7                                | 3             | 4           | –                           | 9                | 9                | 15   | 5   | 17.5 | 9         | 9.3               | 578278   | NPQH-L-M7-Q4-P10   | 10               |
|                                   | 3.25          | 6           | –                           | 12               | 9                | 15   | 5   | 17.5 | 9         | 12.5              | 578279   | NPQH-L-M7-Q6-P10   | 10               |
| <b>G thread with sealing ring</b> |               |             |                             |                  |                  |      |     |      |           |                   |          |                    |                  |
| G1/8                              | 3             | 4           | 10                          | 9                | 13               | 18   | 5   | 19.5 | 13        | 16.3              | 578280   | NPQH-L-G18-Q4-P10  | 10               |
|                                   | 5             | 6           | 10                          | 12               | 13               | 18   | 5   | 22   | 13        | 19.3              | 578281   | NPQH-L-G18-Q6-P10  | 10               |
|                                   | 6             | 8           | 10                          | 14               | 13               | 18   | 5   | 22.5 | 13        | 22.2              | 578282   | NPQH-L-G18-Q8-P10  | 10               |
| G1/4                              | 5             | 6           | 15                          | 12               | 16               | 21.5 | 6.5 | 22   | 13        | 22.4              | 578283   | NPQH-L-G14-Q6-P10  | 10               |
|                                   | 6             | 8           | 15                          | 14               | 16               | 21.5 | 6.5 | 22.5 | 13        | 25.8              | 578284   | NPQH-L-G14-Q8-P10  | 10               |
|                                   | 8             | 10          | 15                          | 16               | 16               | 22   | 6.5 | 26   | 16        | 33.1              | 578285   | NPQH-L-G14-Q10-P10 | 10               |
|                                   | 8.5           | 12          | 15                          | 19               | 16               | 25.5 | 6.5 | 28.5 | 20        | 59.6              | 578286   | NPQH-L-G14-Q12-P10 | 10               |
| G3/8                              | 6             | 8           | 25                          | 14               | 20               | 25.5 | 7   | 23   | 16        | 36.7              | 578287   | NPQH-L-G38-Q8-P10  | 10               |
|                                   | 8             | 10          | 25                          | 16               | 20               | 25.5 | 7   | 26   | 16        | 38.2              | 578288   | NPQH-L-G38-Q10-P10 | 10               |
|                                   | 11            | 12          | 25                          | 19               | 20               | 26   | 7   | 28.5 | 20        | 58.2              | 578289   | NPQH-L-G38-Q12-P10 | 10               |
|                                   | 11            | 14          | 25                          | 22               | 20               | 26   | 7   | 32   | 20        | 62.4              | 578290   | NPQH-L-G38-Q14-P10 | 10               |
| G1/2                              | 8             | 10          | –                           | 16               | 25               | 27.5 | 8.5 | 26   | 16        | 42.6              | 578291   | NPQH-L-G12-Q10-P10 | 10               |
|                                   | 11            | 12          | –                           | 19               | 25               | 30.5 | 8.5 | 28.5 | 20        | 66.3              | 578292   | NPQH-L-G12-Q12-P10 | 10               |
|                                   | 11            | 14          | –                           | 22               | 25               | 30.5 | 8.5 | 32   | 20        | 70.7              | 578293   | NPQH-L-G12-Q14-P10 | 10               |

1) Packaging unit