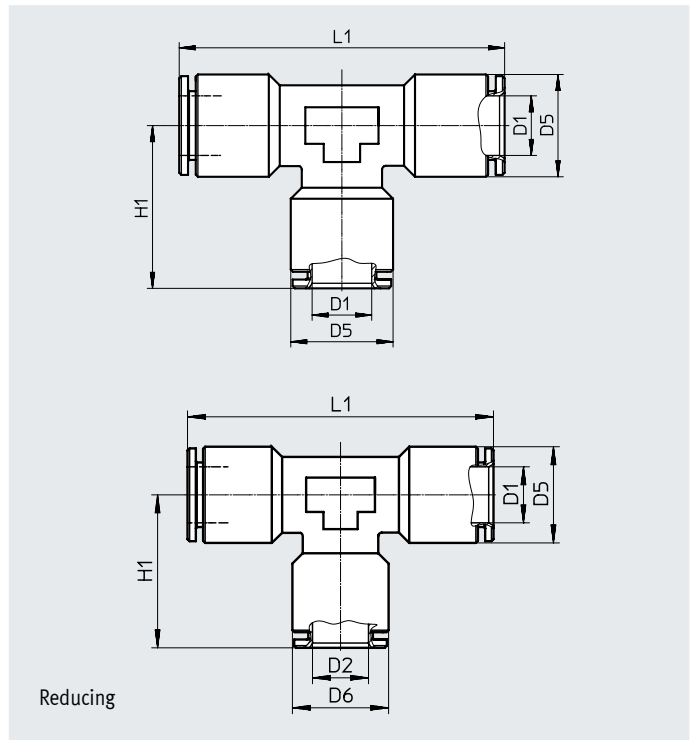


Datasheet

Push-in T-connector NPQH-T



Dimensions and ordering data

Tubing O.D. D1	Nominal width [mm]	Tubing O.D. D2	D5 ∅	D6 ∅	H1	L1	Weight/ piece [g]	Part no.	Type	PU <sup>1)</sup>
4	3	-	9	-	17.5	35	12.5	578380	NPQH-T-Q4-E-P10	10
6	5	-	12	-	20	40	23.2	578381	NPQH-T-Q6-E-P10	10
8	7	-	14	-	21	42	28.6	578382	NPQH-T-Q8-E-P10	10
10	9	-	16	-	24.5	49	39.8	578383	NPQH-T-Q10-E-P10	10
12	11	-	19	-	26	52	63.2	578384	NPQH-T-Q12-E-P10	10
14	12	-	22	-	30.5	61	79.9	578385	NPQH-T-Q14-E-P10	10
<b>Reducing</b>										
6	3	4	12	9	18	40	20.9	578386	NPQH-T-Q6-Q4-P10	10
8	5	6	14	12	20.5	42	27.9	578387	NPQH-T-Q8-Q6-P10	10
10	7	8	16	14	23	49	39.6	578388	NPQH-T-Q10-Q8-P10	10
12	9	10	19	16	26	52	61.9	578389	NPQH-T-Q12-Q10-P10	10

1) Packaging unit