



BEYOND MARINA

GO BEYOND THE IMPOSSIBLES.



USER MANUAL

INFLATABLE TANDEM KAYAK

HELLO,

Thank you for purchasing an inflatable kayak...

WELCOME TO THE BEYOND MARINA FAMILY!

Beyond Marina® was founded with a vision to provide trustworthy gear that offers an easy and effortless way for nature lovers to enjoy outdoor activities and embrace challenges. We encourage everyone to explore the world with curiosity and the intention to push their limits — because we've all learned that it's part of growing. With our innovative, high-tech equipment, Beyond Marina® will always be the one to support your outdoor adventure, giving you the confidence to achieve your goal while allowing you to take joy in the process.

Trust in your potential and go beyond the impossibles with Beyond Marina®.

Like what we're doing?

You can let us know by reviewing your iSUP/kayak on Amazon and tagging us on social: **#beyondmarina**
It's a great way to help our small business thrive by spreading the word.

Having any issues?

Please contact us immediately so we can help you:

info@bmsup.com info@beyondmarina.com

We work hard to ensure each and every BEYOND MARINA customer is exploring the world on a paddleboard/kayak they love!

Happy Paddling,



@BEYOND_MARINA
#BEYONDMARINA



@BEYONDMARINA



@BEYOND_MARINA
#BEYONDMARINA



@BEYONDMARINA8314

TABLE OF CONTENTS

ATTENTION	5
INTRODUCTION	6
INFLATION & DEFLATION	7-9
OPERATING INSTRUCTION	10-11
MAINTENANCE & STORAGE	12
TROUBLE SHOOTING	13
WARRANTY	14

ATTENTION

**Thank you very much for choosing this
Beyond Marina product !**

GENERAL SAFETY RULES

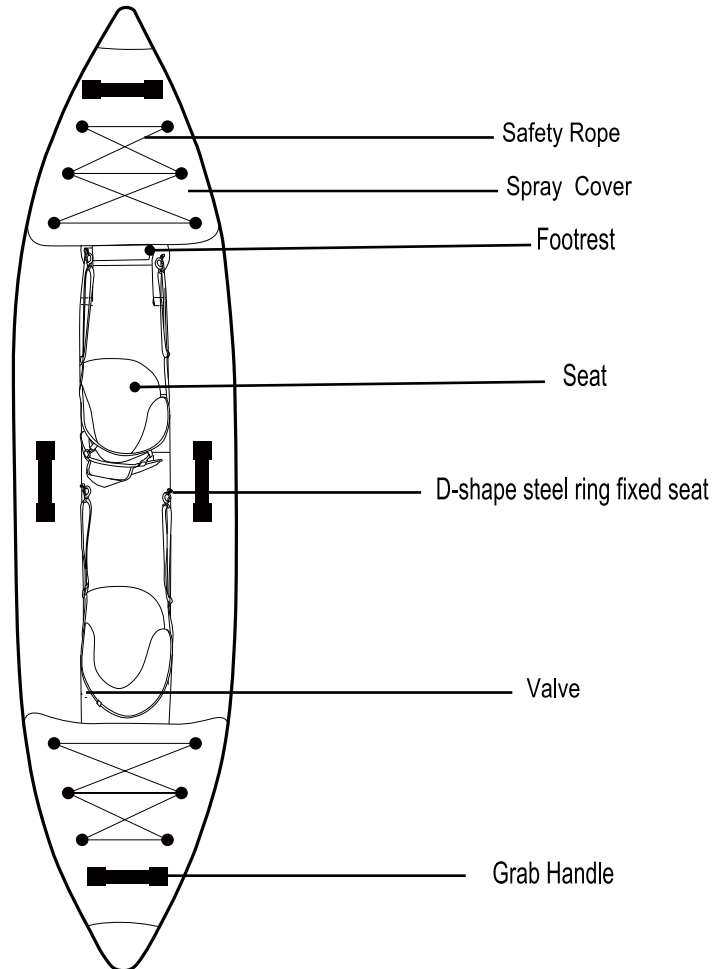
- Read carefully and understand all ASSEMBLY AND OPERATION INSTRUCTIONS before operating. Failure to follow the safety rules and other basic safety precautions may result in serious personal injury. Check your local city and state laws and ordinances for licensing rules.
- This product is designed for certain applications only. The manufacturer can not be responsible for issues arising from modification. We strongly recommend this product not be modified and/or used for any application other than that for which it was designed. If you have any questions relative to a particular application, DO NOT use the product until you have first contacted us to determine if it can or should be performed on the product.
- The warnings, cautions, and instructions discussed in this instruction manual cannot cover all possible conditions or situations that could occur. It must be understood by the operator that common sense and caution are factors which cannot be built into this product but must be supplied by the operator. Beyond Marina is not responsible for injuries while using this inflatable Dock.
- Do not exceed this kayak's weight capacity. Proper distribution of weight is necessary to ensure proper balance and performance. And users of this product must be 15 years of age or must have a legal guardian read these warnings and safety precautions. Do not use this product without adult supervision. Do not use the product in conditions that are beyond the user's ability (examples, but not limited to high surf, riptides, currents, or river rapids).
- Do not use the product in conditions that are beyond the user's ability (examples, but not limited to high surf, riptides, currents, or river rapids). Do not use this product near other boat traffic, or watercraft.



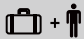
INTRODUCTION

Part Display

Set contents

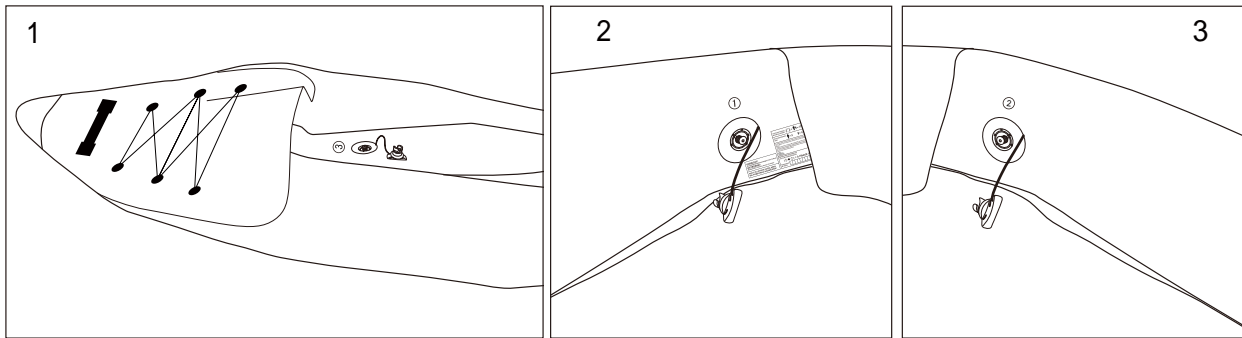
- Inflatable Kayak X1
- Adjustable Paddle X 2
- Kayak Seats X 2
- Center Fin X 1
- Dual-Action Hand Pump X 1
- Carry Bag X 1
- Repair Kit X 1
- Manual X 1



Item No.	MODEL:7718002	
Model	TANDEM KAYAK	
Inflated Size	378*78*40cm 12.4'x31"x15.75"	
Capacity(Person)		2
		0
 Max. Load weight	170KG/374LBS	

INFLATION & DEFLATION

- Select a clean area free of stones, gravel, sticks or other sharp objects.
- Lay the kayak on the ground flat, put the drop stitch bottom into the middle of kayak (see figure 1), and then inflate it in accordance with the sequence (see figure 1-3) body ①②bottom③



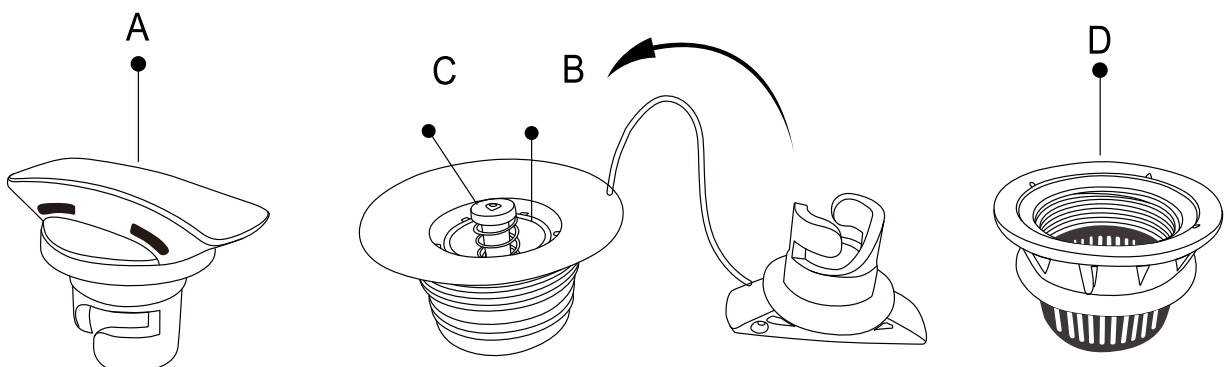
-Use a hand or foot operated air pump to inflate the kayak. Do not use high-pressure air compressors. It's very important to follow the numbered sequence: failure to do so will result in an improperly inflated kayak. Fill each chamber until it is stiff. Use printed ruler on the kayak to check the main chamber for proper inflation.

If the kayak is inflated during cold weather or without direct sunlight on the tubes, care must be taken not to over-inflate the tubes. As the air inside the tubes heats up due to temperature rises or sunshine, the pressure will increase. The pressure must be monitored at all times.

Built-in Safety Valve illustration

Structure of the safety valve

- A. Valve cap
- B. Inflating mouth
- C. Deflation button
- D. Protective sheath




INFLATION & DEFLATION

After the inflation adapter is assembled completely, you can inflate the kayak by number sequence. Do not over inflate. After inflating screw the valve cap A in clockwise direction by hand.

Fill each chamber until it is stiff.

Caution: Do not over inflate or use a high-pressure pump. The maximum pressure for air chamber.

 = 0.15bar(2.18PSI) for chamber 1,2

 = 0.55bar(8PSI) for chamber 3

Inflating:

- Unscrew the valve cap A, assemble the Inflation Adapter with inflating mouth B, air pressure meter and the air pump.

Caution: Do not over inflate, or use a high-pressure pump!

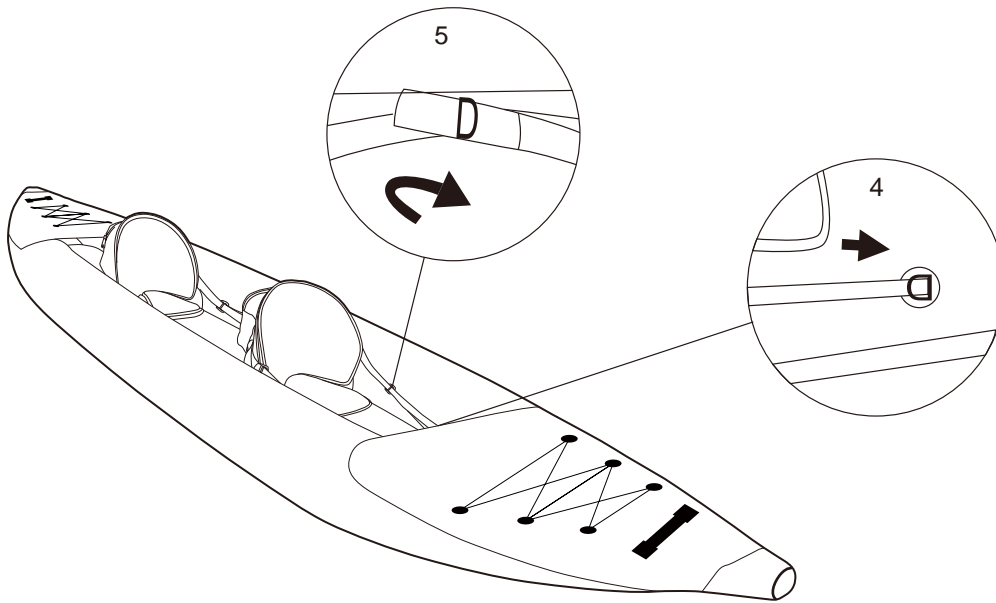
Deflating:

Remove the valve cap A, push down the deflation button C and turn the valve clockwise direction by 90° until its is locked, release the valve and the air will flow out. If you want to stop the deflation, push down the deflation button C and turn it in counter-clockwise direction by 90°. The deflation will stop when the valve is released.

INFLATION & DEFLATION

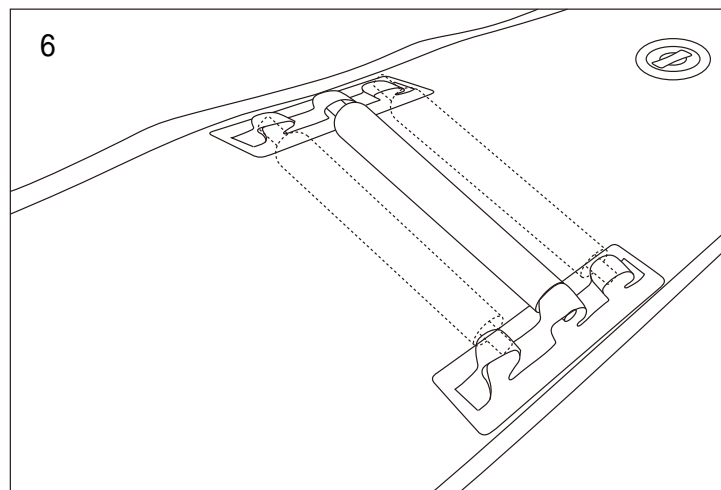
Seat installation

This kayak include 2 removable seats, fasten the seat tapes on D ring where on front and back of the inside boat,(see figure 4)
after these steps, user can adjust the seat according to themselves condition.
(see figure 5)



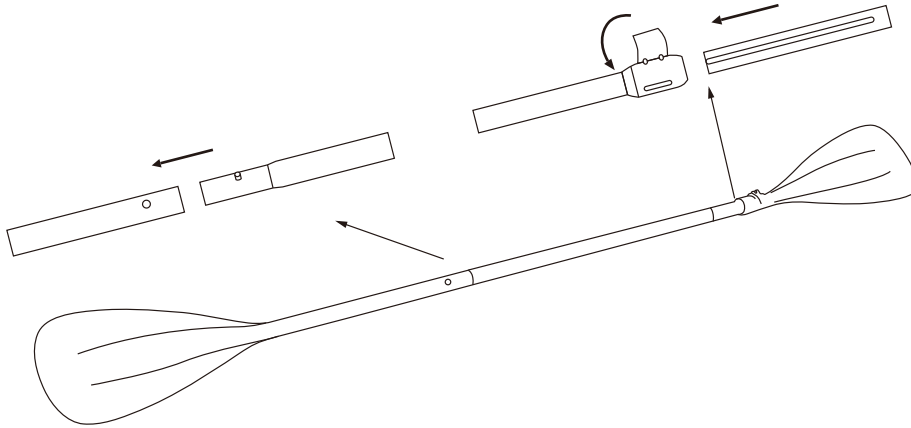
Footrest installation

Find out the footrest, fasten the footrest each side on Black braided buckle, it has three adjustable positions for fasten.(see figure 6)



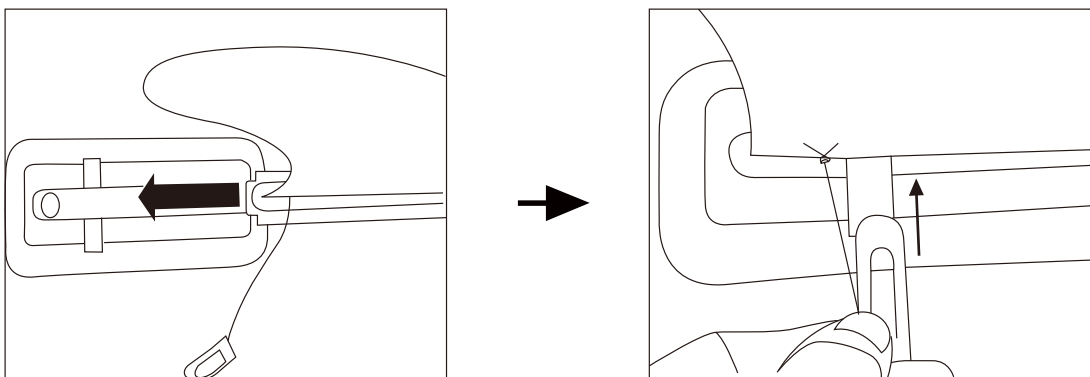
OPERATING INSTRUCTION

Assembly of the oar



OPERATING INSTRUCTION

Install the direction fin on the bottom of Kayak. Please refer to below illustration.



Preparation before departure

Acquire necessary information and inform other passengers:

1. Get information on local laws, regulation and hazards related to water activities and boat operation.
2. Check weather forecast, local currents, tides and wind conditions.
3. Advise someone on land of the time you plan to be back.
4. Explain basic boat operation to all passengers.
5. Be sure that at least one of your passengers can operate the boat in case of emergency.
6. Learn how to determine the distance you can cover, and remember that bad weather conditional can alter this.

OPERATING INSTRUCTION

Check the working condition of the boat and equipments

1. Check inflation pressure.
2. Check all safety valves.
3. Check the load is evenly distributed on deck of boat: front to back and side to side.

Check that required safety equipment is on board (Check the laws and regulations of the country or locality in which you're boating)

1. One personal flotation device (PFD) for each passenger.
2. The air pump, oars repair kit and tool kit.
3. The mandatory equipment.
4. The boat papers and your boating license (if applicable).
5. Lights are required if operating after dark.

Rules to observe during navigation

1. Be responsible and strictly follow the safety rules. Do not neglect the safety rules, this could hazard your life and lives of others.
2. Learn to keep control of your kayak.
3. Respect local regulations and practices.
4. Navigate on „sheltered water“only.
5. Keep fire away. Do not smoke on board.
6. Remember weather conditions can rapidly deteriorate. Always be sure that you can reach a shelter rapidly.
7. Do not take alcohol or take drugs before or while operating your kayak. All passengers should maintain sobriety in all voyage.
8. Make sure your passengers remain sit.
9. No bow riding. Bow riding is illegal in most areas and is extremely dangerous.
10. Be very careful when landing. Arms and legs might be hurt when hanging off the kayak.
11. Always avoid areas where divers/swimmers are in the water. Keep a sharp lookout especially when operating near beaches and launch sites. The Alpha flag indicates proximity of divers. You **MUST** stay at a good distance (minimum 50 meters).

MAINTENANCE AND STORAGE

Depending on the parts usage, keep some spare available, all parts suggest must consult local agent for factory authorized parts when servicing system.

Clean your kayak after a trip to prevent damage from sand, salt water or sun exposure. Use a garden hose washing the kayak and a sponge and mild soap can clean most dirt. Make sure the kayak is completely clean and dry before storing, otherwise the kayak will be mouldy.

Do not use solvents to clean the kayak, solvents may damage material or plastic components in system. Store all kayak accessories in a dry storage location with ventilation. Make sure that all parts are dry before storage.

You can store the kayak inflated or deflated.

- Choose a dry and cool place to store the kayak.
- Don't hang the kayak up.
- Don't place any heavy or sharp objects on it.

The kayak is designed to be storable, seasonal kayak. If you live in a temperate area in which the kayak will not be in use all year-round, it is **STRONGLY RECOMMENDED** to deflate the kayak and dry it thoroughly, and store it in a protected area for the off-season. This will help extend your kayak and prevent a safety hazard from developing while the kayak is not in use.

Warning:

Certain household cleaning solvents, chemicals and other liquids (such as battery acid, oil and petrol) could damage the PVS fabric. In the event of spill or mishandling, you should check for leaks and inspect for structural integrity.

DISASSEMBLY

1. Remove all the accessories from the kayak: oars, repair-kit....
2. Open all valves and deflate the kayak completely.
3. Fold the kayak (make sure that the kayak is clean and dry. See the above Maintenance & Storage chapter).
4. Put kayak and air pump, oars into carry bag for storage.

STORAGE

When you find the boat appears a bit soft, it might not definitely be because of a leak. Firstly you can check if valve caps are loose. If all valves are in good condition, you can consider if it is caused by temperature variation: If the boat was inflated in the day at higher temperature, say, 35 ° C (95 ° F), and air might cool down to 25 ° C (77 ° F) overnight, so that the pressure on the hull may lower down, and the boat will appear soft the next morning.

If valves and temperature variation are not the reasons, you need to start looking for a leak:

1. Position the leak area: You can check your boat from a few feet away or flip it over and closely check over the outside. Any large leaks should be clearly visible.
2. Pinpoint the location of the leak: spray mild soapy water over the suspicious areas. Any leak will produce bubbles.
3. Check valves system for leak.

TROUBLE SHOOTING

Little holes or puncture can be repaired with the repair kit come along with the boat.

1. Find the leak.
2. Thoroughly clean the area surrounding the leak to remove any dirt or grime.
3. Cut a piece of repair material in round shape, which should be larger than the damaged area.
4. Using a piece of the repair kit, trace outline of the patch lightly
5. Apply adhesive to the underneath side of the patch and around the area to be repaired. Coat the affected area lightly but completely with glue. (not included in the product, please purchase separately from your market.)
6. Put the patch on the damaged area and press down firmly.
7. Allow 12 hours for repair to dry. After patch has dried, apply glue around the edges for a complete seal (dry 4 hours).
(adhesive not included)

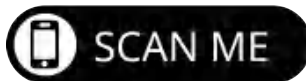
WARRANTY

WARRANTY CLAIM:

180 Days Manufacture Limited Warranty from date of purchase. Abnormal defects in materials and workmanship are guaranteed. Contact us to submit warranty claim, provide us some photos of products. We will respond to you within 2-3 business days with a complete resolution.

REGISTER
&
ACTIVATE YOUR
WARRANTY
NOW

GET A FREE GIFT ON BM WEBSITE!



Only valid when honest review is presented after delivered.

**GO BEYOND THE
IMPOSSIBLES.**

