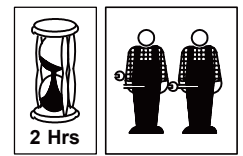


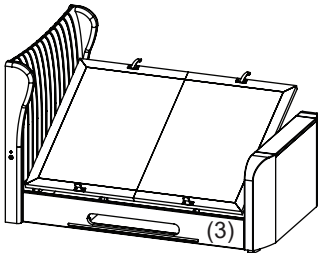


VOGUE OTTOMAN TV BED ASSEMBLY INSTRUCTIONS

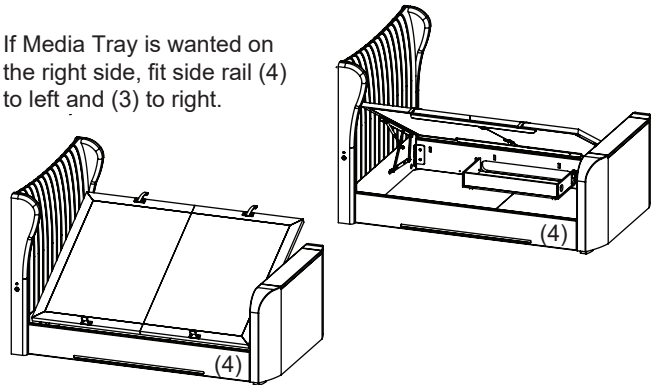


please keep these instructions for future reference.

If Media Tray is wanted on the left side, fit side rail (3) to left and (4) to right.



If Media Tray is wanted on the right side, fit side rail (4) to left and (3) to right.



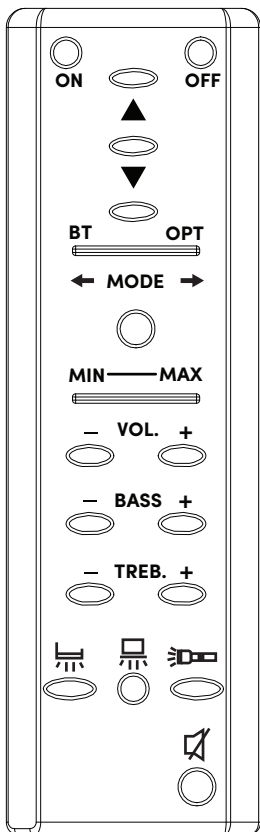
Important Information

- We suggest you spend a short time reading through this leaflet and then follow the simple step-by-step instructions.
- Carefully check that you have all the parts before beginning assembly.
- Keep fittings out of children's reach and keep children well away from construction area.



An instructional video of the Operation of the Ottoman Lift Up system is available via YouTube using the following address: https://youtu.be/hyq4zm7h_yU

2.1 STEREO SYSTEM



- TURN AMPLIFIER ON or OFF.**
- 1) Turn on the mains power to the TV Bed.
2) Press the Remote Control (RC) ON button for 2 seconds to synchronise and prepare the system, system voice shall say 'Power On'.
3) When finished press the OFF button for 2 seconds.
- LIFT or LOWER THE TV.**
- Press once and TV will rise to it's upper working position. Power to the TV will be connected automatically - operate the TV using it's Operation Guide.
Press once and TV Lift will stop.
- Press once and TV will go down - as soon as the lower resting position is reached power to the TV is switched off to prevent it overheating.
- NOTE: BLUETOOTH WILL WORK NORMALLY WHEN TV IS UP OR DOWN.**
- SELECT OPTICAL or BLUETOOTH MODE.**
- Select the required mode by pressing OPT (Optical) to watch TV
or
Select BT (Bluetooth) to connect to your smart device to play music.
- Pair your device in the normal way searching for -- 'MY BT'.
Two devices can pair with the system but each will need to disconnect to allow the other to connect.
If device previously connected, system will immediately say PAIRED.
If not previously connected, system shall say PAIRING.
Note you cannot play films through the system from any BT device.
- The same blue LED light bar is used to show steps for all the following controls: **VOLUME, BASS & TREBLE.**
- VOLUME CONTROL**
- Use --- + or - --- button to increase or decrease the volume.
Note that this control operates step by step and as it is adjusted, the blue LED light bar follows each step until full volume is reached, then the blue lights are all on.
- BASS CONTROL**
- Adjust the Bass attenuation - these buttons increase or decrease the lower frequencies of the sound.
- TREBLE CONTROL**
- Adjust the Treble attenuation - these buttons increase or decrease the higher frequencies of the sound until the preferred sound level is achieved.
Note: if higher frequency sound is reduced, the volume of the sound appears to be reduced too - this is normal.

This button switches on the torch.

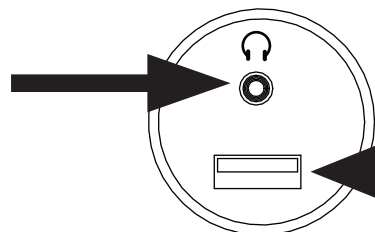
These buttons are to control headboard lights when fitted - they are not fitted in this version of your TV Bed.

MUTE
This button turns the sound off and back on again.

MODULE FITTED TO EACH SIDE OF THE HEADBOARD

HEADPHONE SOCKET

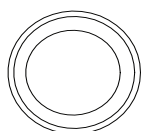
PLUG A 3.5mm HEAD-PHONE JACK PLUG INTO THIS SOCKET AND SOUND FROM THE MAIN SPEAKERS IS CUT OFF.



PLUG A TYPE 'A' USB INTO THIS SOCKET TO CHARGE ANY DEVICE 5V 2.1A TOTAL. NOTE THIS USB IS FOR CHARGING ONLY, CANNOT PLAY MUSIC OR VIDEOS THROUGH THE SYSTEM.

USB CHARGING SOCKET

TOUCH SWITCH FITTED TO EACH SIDE OF THE HEADBOARD

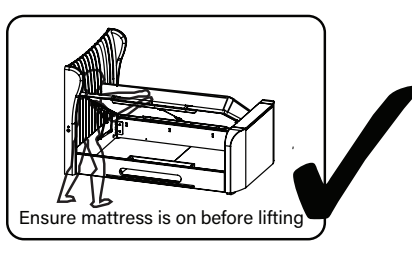
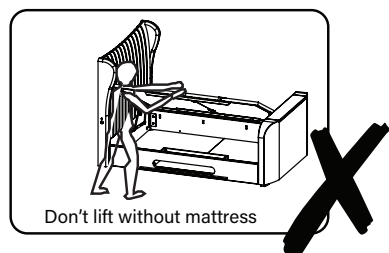


TOUCH THE SWITCH QUICKLY AND THE RELEVANT SIDE RAIL LED LIGHT STRIP ILLUMINATES. KEEP PRESSING AND THE LIGHT GOES BRIGHTER OR DIMMER DEPENDING HOW IT WAS ADJUSTED PREVIOUSLY. THE LIGHT WILL MEMORISE THE SETTING. TOUCH QUICKLY & LIGHT GOES OFF. THE OPPOSITE SWITCH IS IDENTICAL.

Warnings

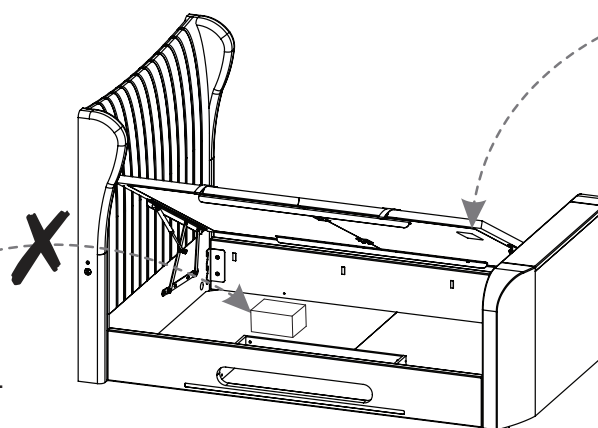
- You must ensure that the mattress is on the bed frame before operating the lift mechanism – Failure to do so could result in injury.
- Keep hands clear of the mechanism when opening or closing the ottoman.
- Beware of entrapment – Never reach in through the mechanism to access the storage area.
- Always ensure that the ottoman is FULLY opened before accessing the storage area.
- Do not exceed the maximum weight as specified in the table below:

Bed	Bed Size	Min Weight (kg)	Max Weight (kg)
VOGUE OTTOMAN TV BED	Double	10	40
	King	15	45
	Super King	20	50



- Use caution when operating, always use the handle when lifting.
- Note: This bed uses a pressurised mechanism.
- To be operated by adults only.
- Please ensure that children and pets are kept away from the bed when operating the lift mechanism.
- Keep children and pets away from the storage area.
- Do not overload the internal storage base.
- Do not stand inside the internal storage area of the bed.
- Before removing the mattress secure the frame to ensure it does not open unexpectedly.
- Do not attempt to lie on the mattress when the ottoman is in the raised position.
- When lifting the ottoman remove all bedding except the fitted sheet.

Note: Be very careful what you store under the bed - the top of an item, like a suitcase or a box must not touch the mattress base or it may get damaged. Maximum storage height is 265mm.



WARNING

TO AVOID ACCIDENTS
To access the storage area, the ottoman frame MUST BE FULLY OPENED and then FULLY CLOSED afterwards.

CAUTION

To be operated by ADULTS ONLY.
Keep children and pets away from the storage area.
Avoid trapping your fingers by using the handle to lift & lower the base.
Only lift when the mattress is in place.
Ensure the ottoman support bar is secure when the base is open.
Regularly air internal storage area and contents.

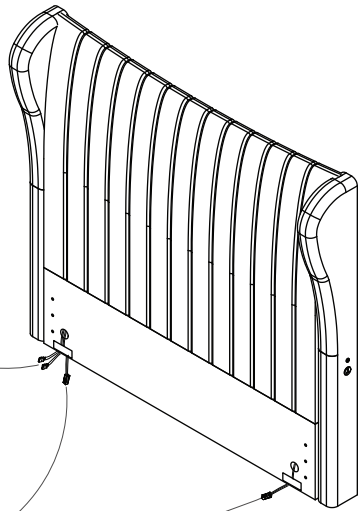


CARTON 1 - HEADBOARD

(1) Headboard

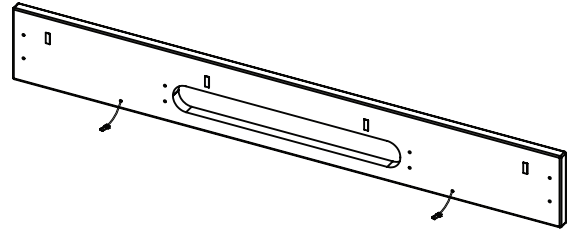
HEADEND CONNECTIONS FOR SPEAKERS & USB CABLES (P1 & P2)

HEADEND CONNECTIONS FOR LIGHT IN EACH SIDE RAIL

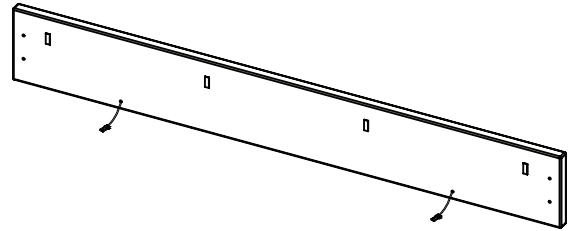


CARTON 2 - SIDE RAILS

(3) Side rail - with media tray x 1



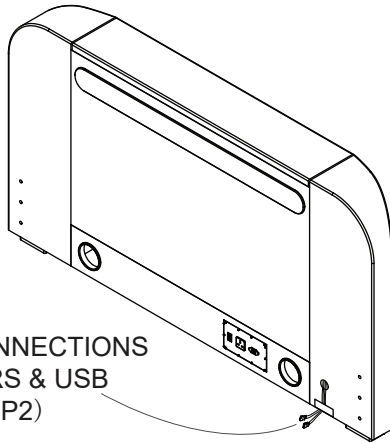
(4) Side rail - without media tray x 1



CARTON 3 - FOOTBOARD

(2) Footboard

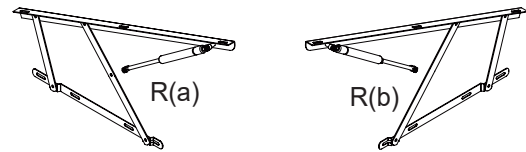
FOOTEND CONNECTIONS FOR SPEAKERS & USB CABLES (P1 & P2)



(5) Metal tie rails for mattress base boards x2



R x1 Pr

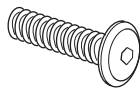


Gas-lift mechanisms

The following items are in an accessory box, inside the TV Compartment, inside Carton 3

Hardware Pack for Bed Assembly

A x20



Bolts M8x30mm for fitting side rails (3&4) to headboard & footboard (1&2)

B x20



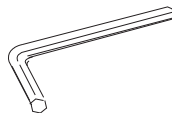
Spring M8 washers

C x20



Flat M8 washers

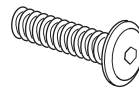
D x1



Allen key for M8 bolts (5mm)

Hardware Pack for Media Tray Assembly

A x6



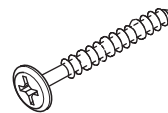
Bolts M8x30mm for fitting media tray to side rail (3) and fitting support legs (12)

C x4



Flat M8 washers for fitting media tray to side rail (3)

E x11



Screws (5x50mm) for assembling media tray panels

F x11

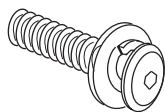


Plastic barrel nuts for assembling media tray panels

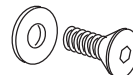
Hardware Pack for TV Installation

y x2

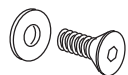
Bolt sets M8 x 25mm



Counter-sunk screw sets (M6x12mm)

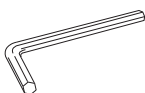


Counter-sunk screw sets (M4x12mm)

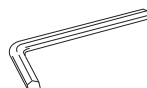


z x1

Allen key (4mm)

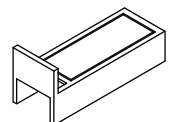


Allen key (2.5mm)

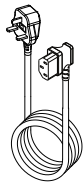


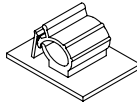
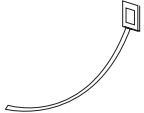
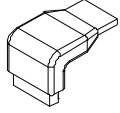
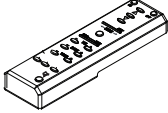
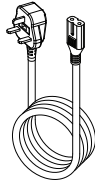

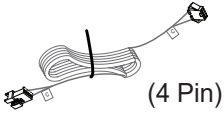
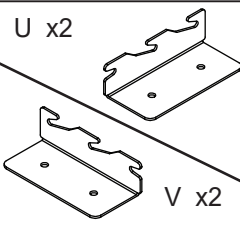
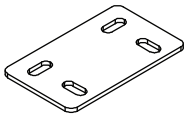
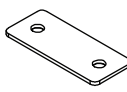
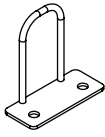



x x2

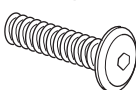

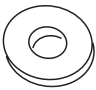
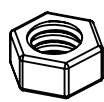
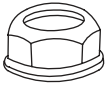

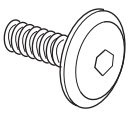
TV Support slide



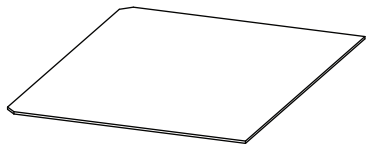
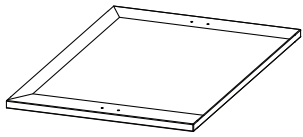
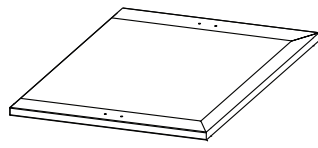
TV Cables & Accessories plus Mattress Base Board Metal Plate

<p>G x1</p>  <p>Mains power lead</p>	<p>H x2</p>  <p>HDMI leads</p>	<p>J x1</p>  <p>Aerial lead</p>	<p>K x3</p>  <p>Cable clips</p>	<p>L x3</p>  <p>Cable ties</p>
<p>M x1</p>  <p>HDMI 90° adapter</p>	<p>N x1</p>  <p>Remote control TV Lift_Audio</p>	<p>O x1</p>  <p>Mains power lead for light</p>	<p>P x1</p>  <p>Connection cable for USB /headphone module (5 Pin)</p>	<p>I x1</p>  <p>Connection cable for Headboard speakers (4 Pin)</p>
<p>U x2</p>  <p>Angle Hook Bracket</p>	<p>V x2</p>  <p>Metal connection plate for mattress base boards (13&14)</p>	<p>X x2</p>  <p>Metal Plate for Fabric Handle Strap</p>	<p>Y x2</p>  <p>Mattress stoppers</p>	<p>(6) x2</p>  <p>Fabric hand strap</p>

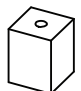
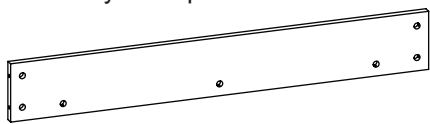
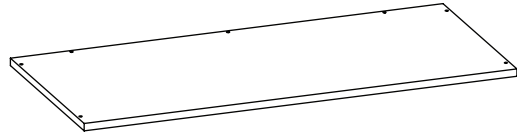
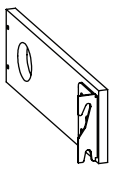
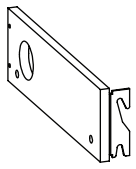
HARDWARE PACK FOR ASSEMBLY OF OTTOMAN MATTRESS BASE BOARDS

<p>A Double & King x26 Super King x30</p>  <p>Bolts (M8x30) for fitting gas-lift mechanisms R to headboard & footboard (1&2).</p> <p>For fitting metal tie rails (5) and mechanisms (R) to mattress base boards (13&14).</p>	<p>B Double & King x26 Super King x30</p>  <p>Spring washers for M8 bolts</p>	<p>C Double & King x26 Super King x30</p>  <p>Flat M8 washers for bolts</p>	<p>Q x4</p>  <p>M8 Nuts for mattress stoppers</p>
<p>S x2</p>  <p>M8 Flange lock-nuts for gas-lift piston stems</p>	<p>T x1</p>  <p>Spanner for M8 nuts</p>	<p>Z x8</p>  <p>Big Head Bolts (M8x20mm)</p>	

CARTON 4 - OTTOMAN MATTRESS BASES & STORAGE BASE BOARDS

 <p>(12) Storage base boards x2</p>	 <p>(13) Mattress base board x1</p>	 <p>(14) Mattress base board x1</p>
---	---	---

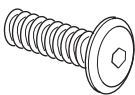



CARTON 5 - MEDIA TRAY

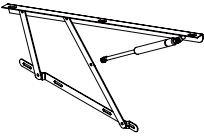
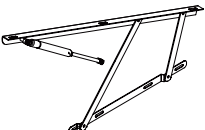
<p>(7) Media Tray Rear Support Legs</p> 	<p>(8) Media tray back panel x 1</p> 	<p>(9) Media tray base panel x 1</p> 
	<p>(10) Media tray side panel - LH x 1</p> 	<p>(11) Media tray side panel - RH x 1</p> 

Step 1a

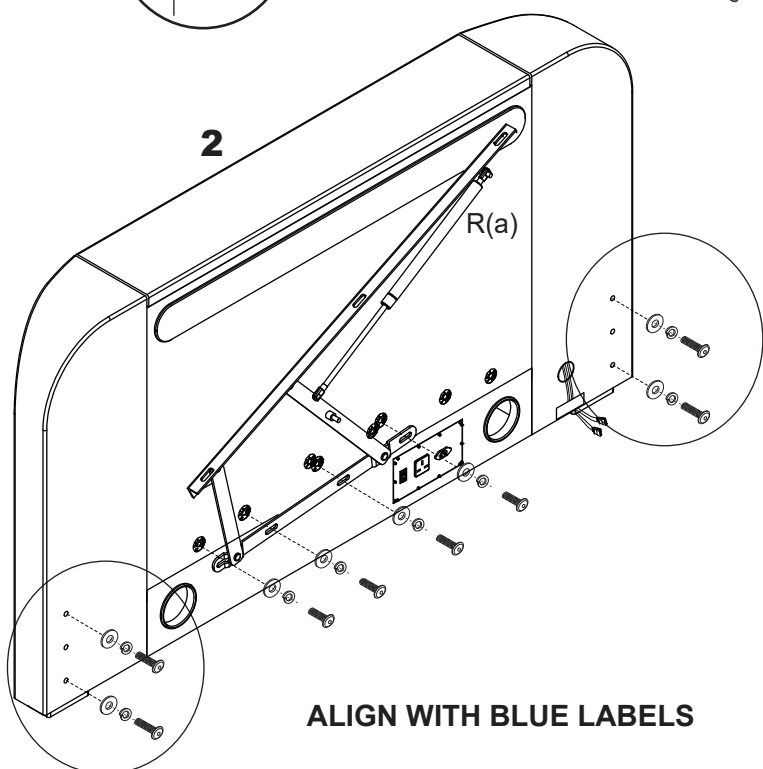
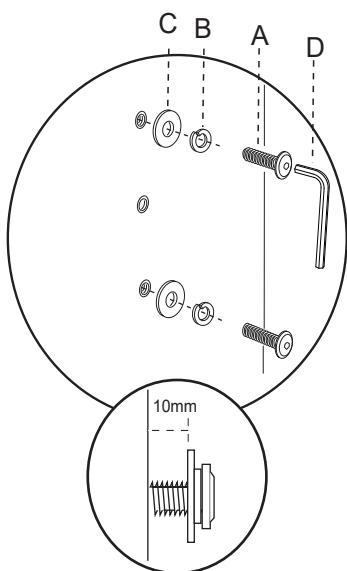
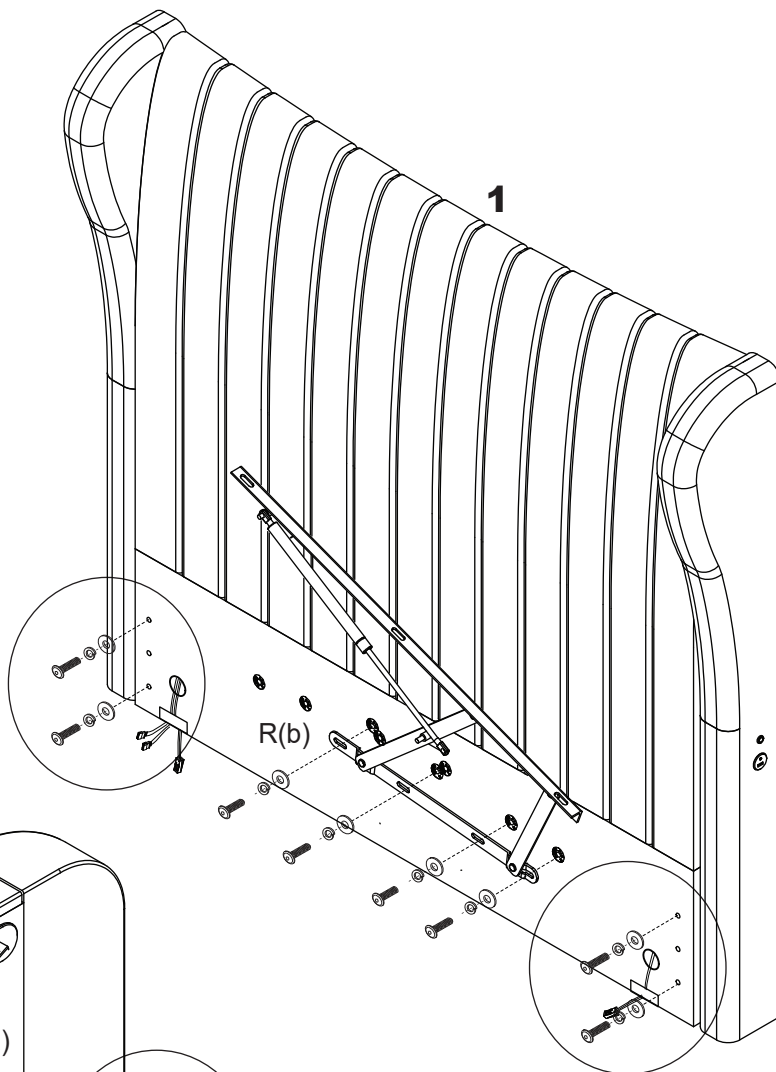
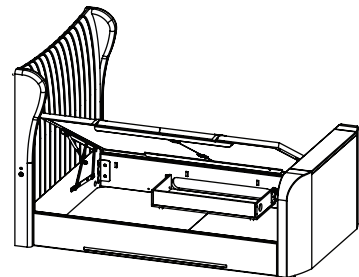
CHOOSE WHICH SIDE YOU WANT TO LIFT UP

OPEN FROM LEFT

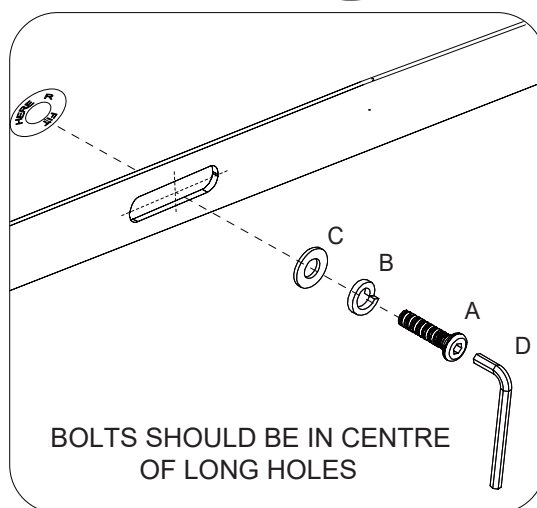
- A  x16
- B  x16
- C  x16
- D  x1

- R (a)  x1
- R (b)  x1

THE MECHANISMS ARE LABELED R(a) & R(b). PLEASE CAREFULLY FOLLOW THE DIAGRAM BELOW AND IF ACCESS IS NEEDED FROM LEFT SIDE OF THE BED, FIT BOTH MECHANISMS TO RIGHT SIDE OF THE HEADBOARD & FOOTBOARD. BOLT INTO THE CENTRE OF THE BLUE LABELED HOLES MARKED (R), TIGHTEN x8 BOLT SETS 100%.



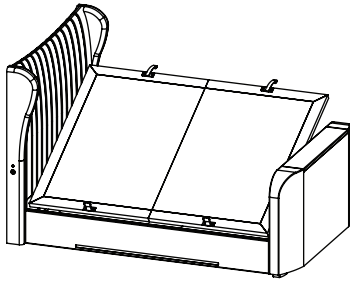
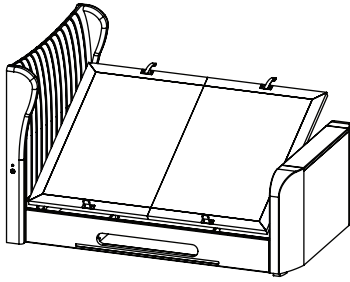
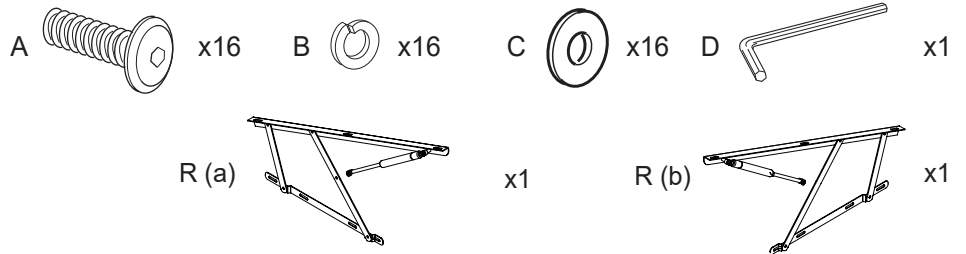
ALIGN WITH BLUE LABELS



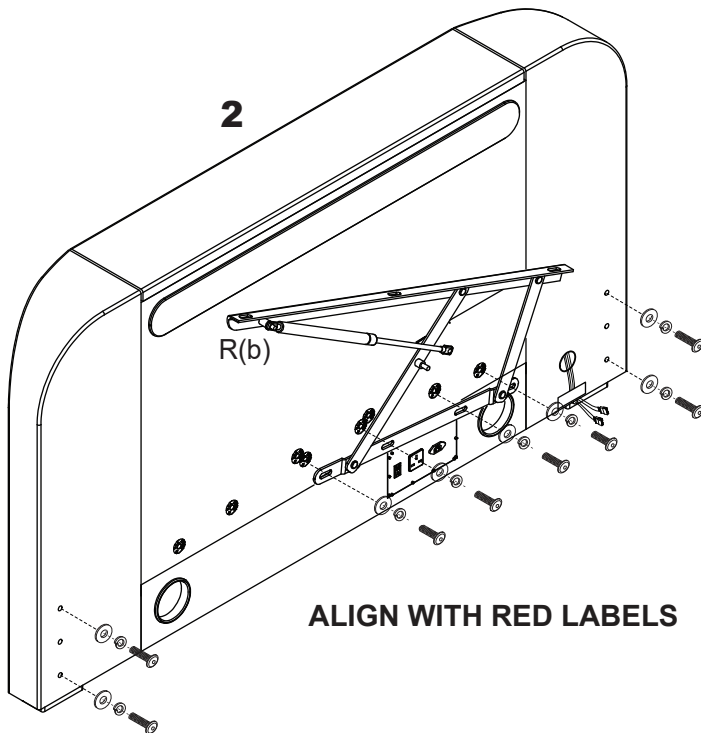
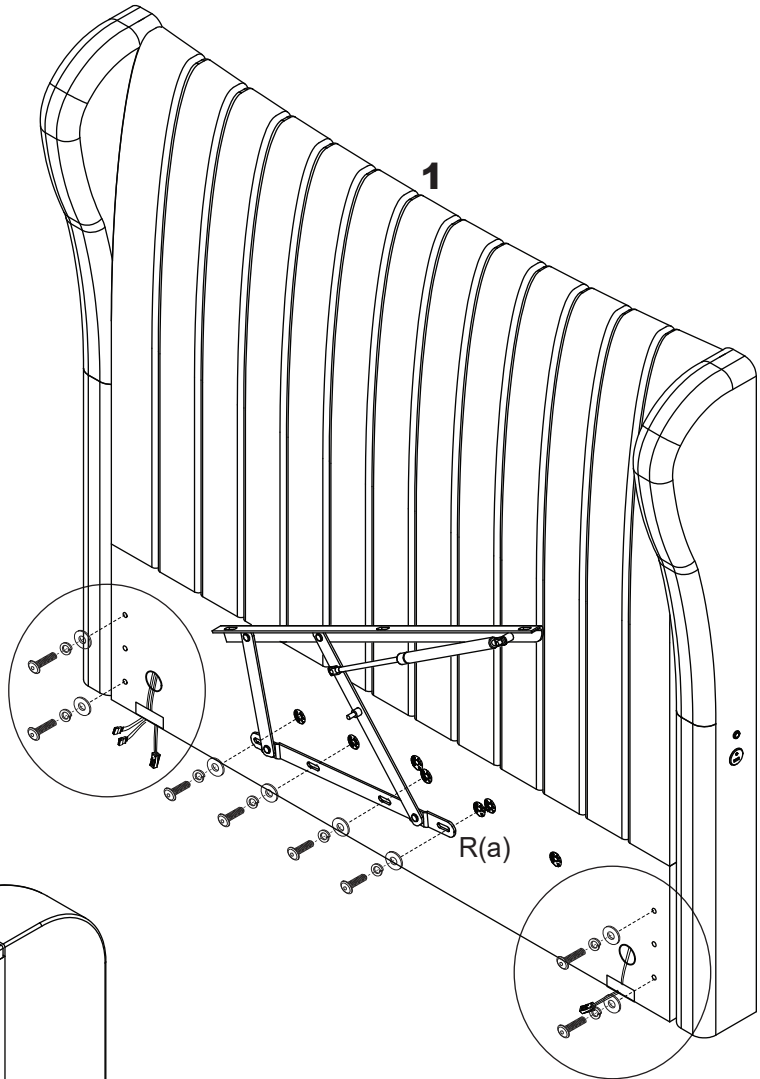
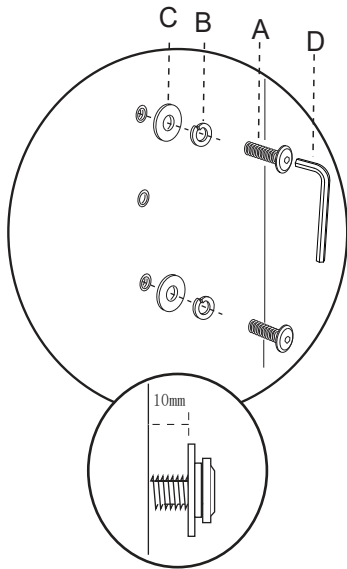
BOLTS SHOULD BE IN CENTRE OF LONG HOLES

Step 1b

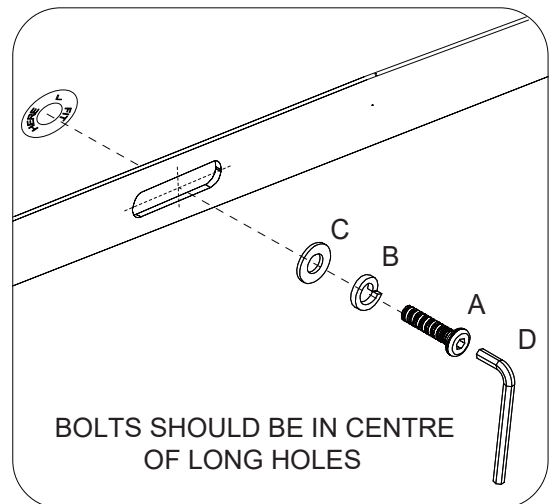
OPEN FROM RIGHT



THE MECHANISMS ARE LABELED R(a) & R(b). PLEASE CAREFULLY FOLLOW THE DIAGRAM BELOW AND IF ACCESS IS NEEDED FROM RIGHT SIDE OF THE BED, FIT BOTH MECHANISMS TO LEFT SIDE OF THE HEADBOARD & FOOTBOARD. BOLT INTO THE CENTRE OF THE RED LABELED HOLES MARKED (L), TIGHTEN x8 BOLT SETS 100%.

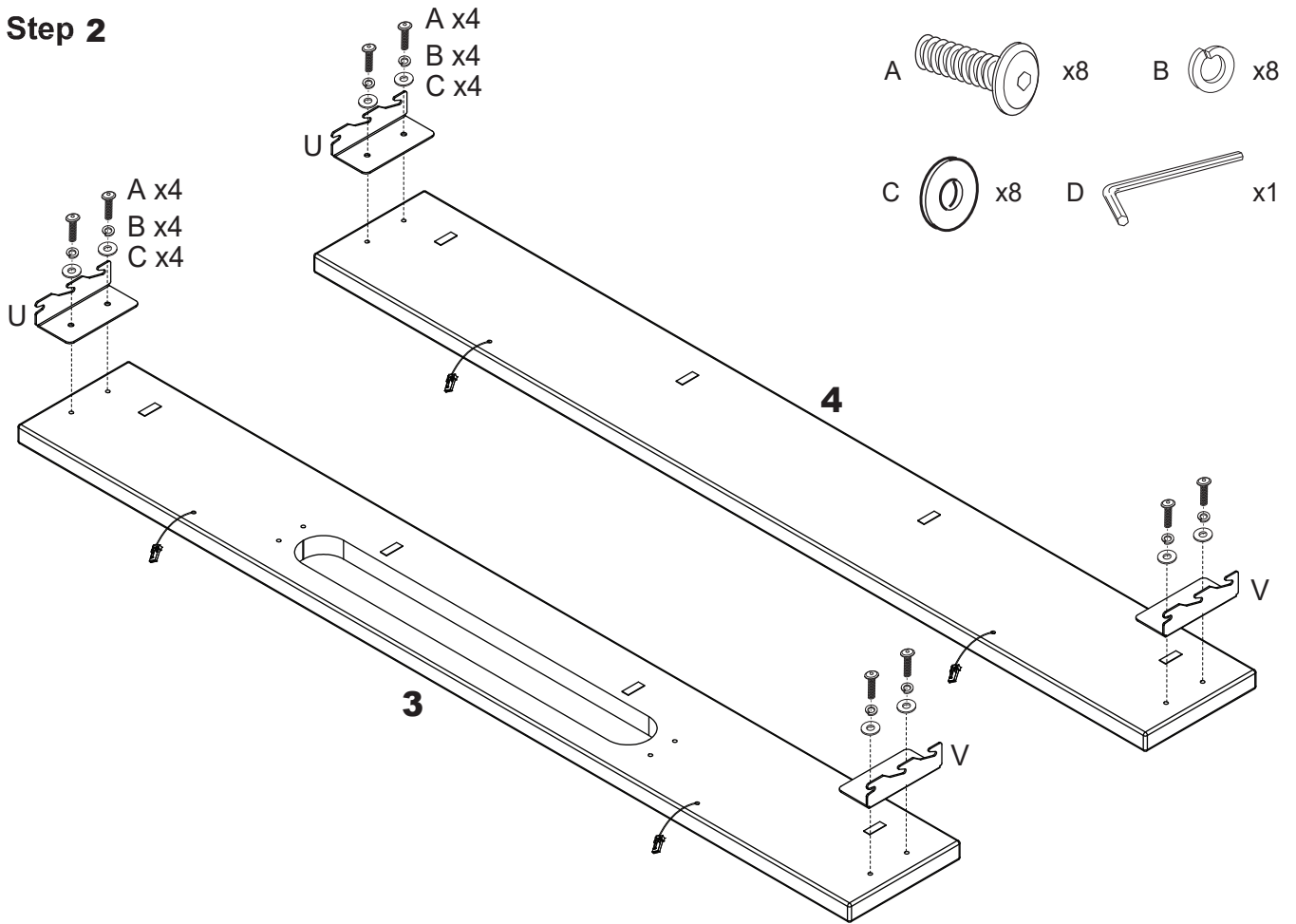


ALIGN WITH RED LABELS



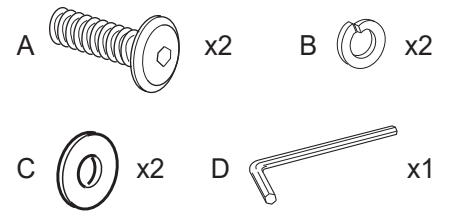
BOLTS SHOULD BE IN CENTRE OF LONG HOLES

Step 2

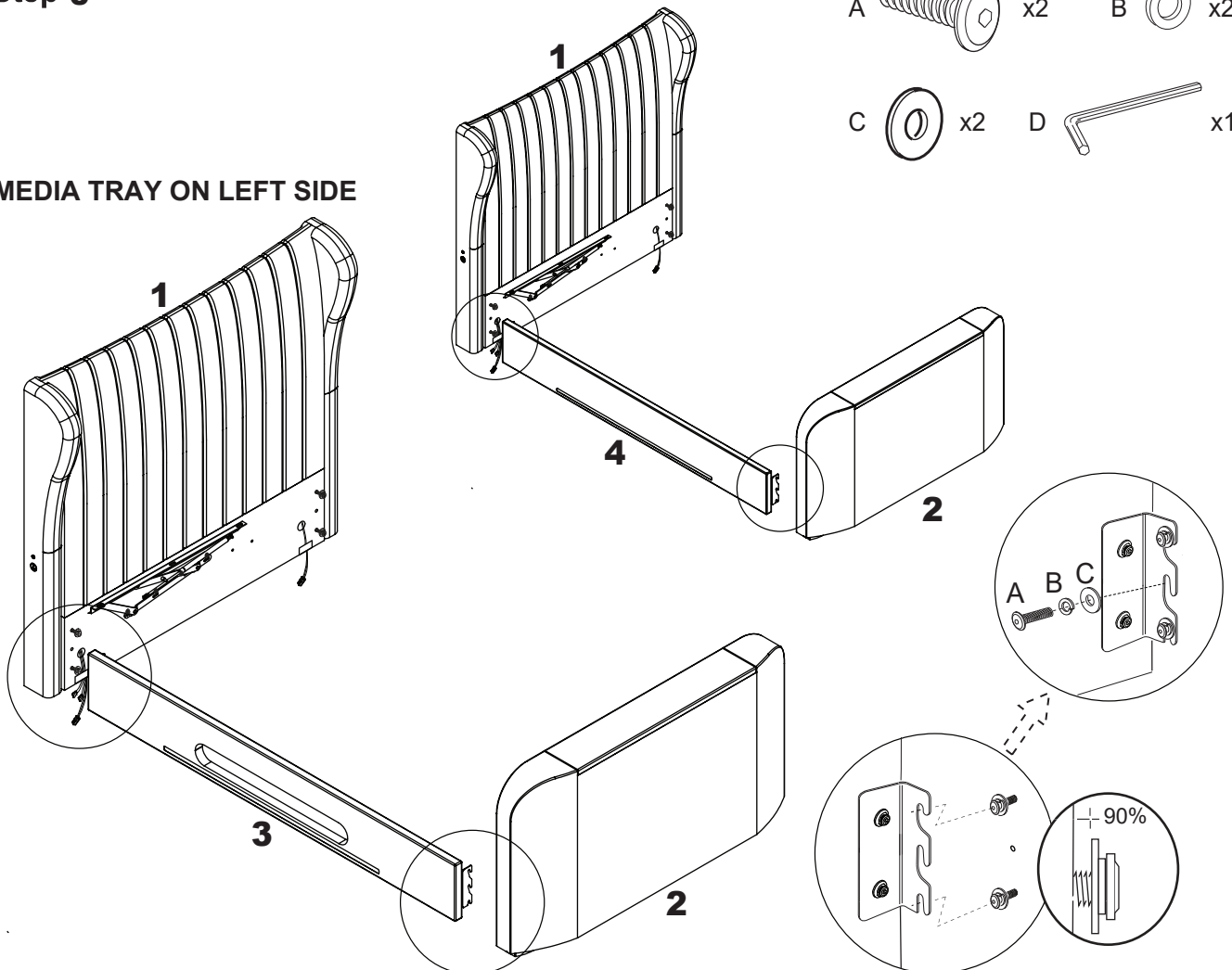


Step 3

MEDIA TRAY ON RIGHT SIDE

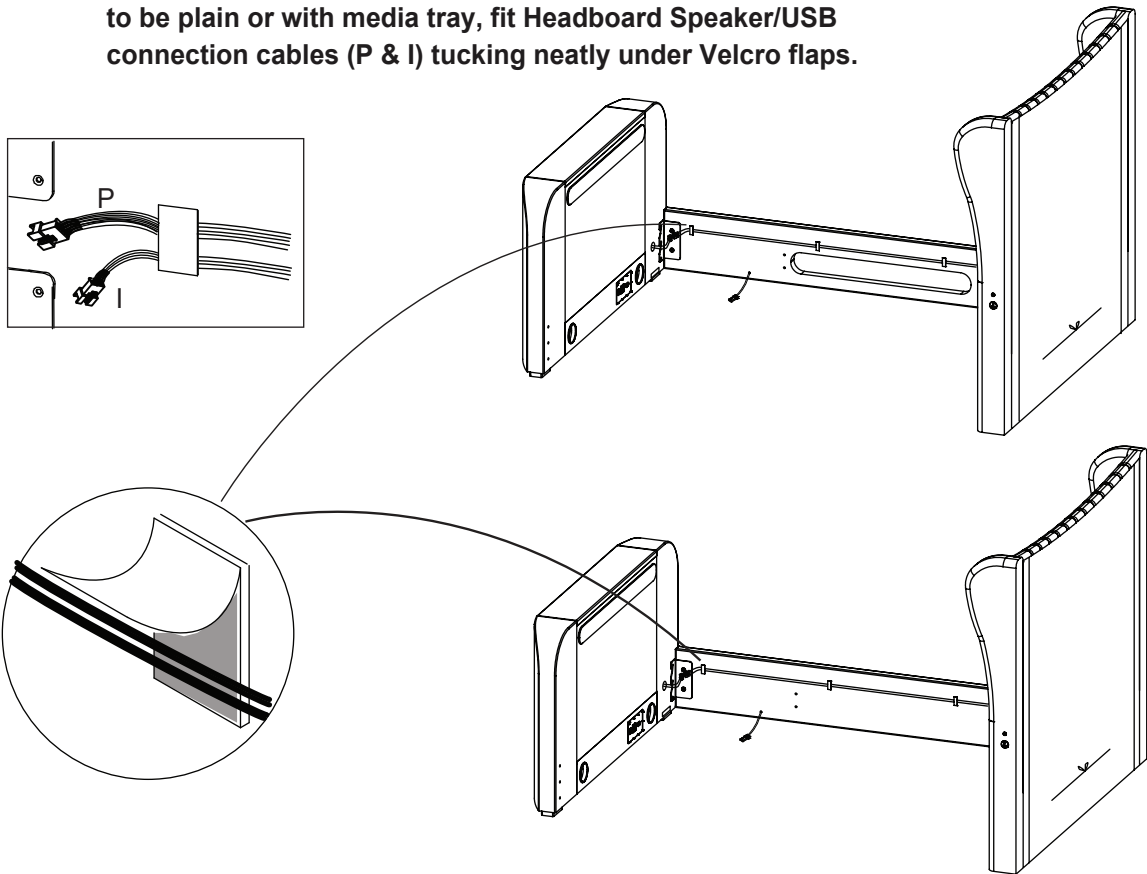


MEDIA TRAY ON LEFT SIDE



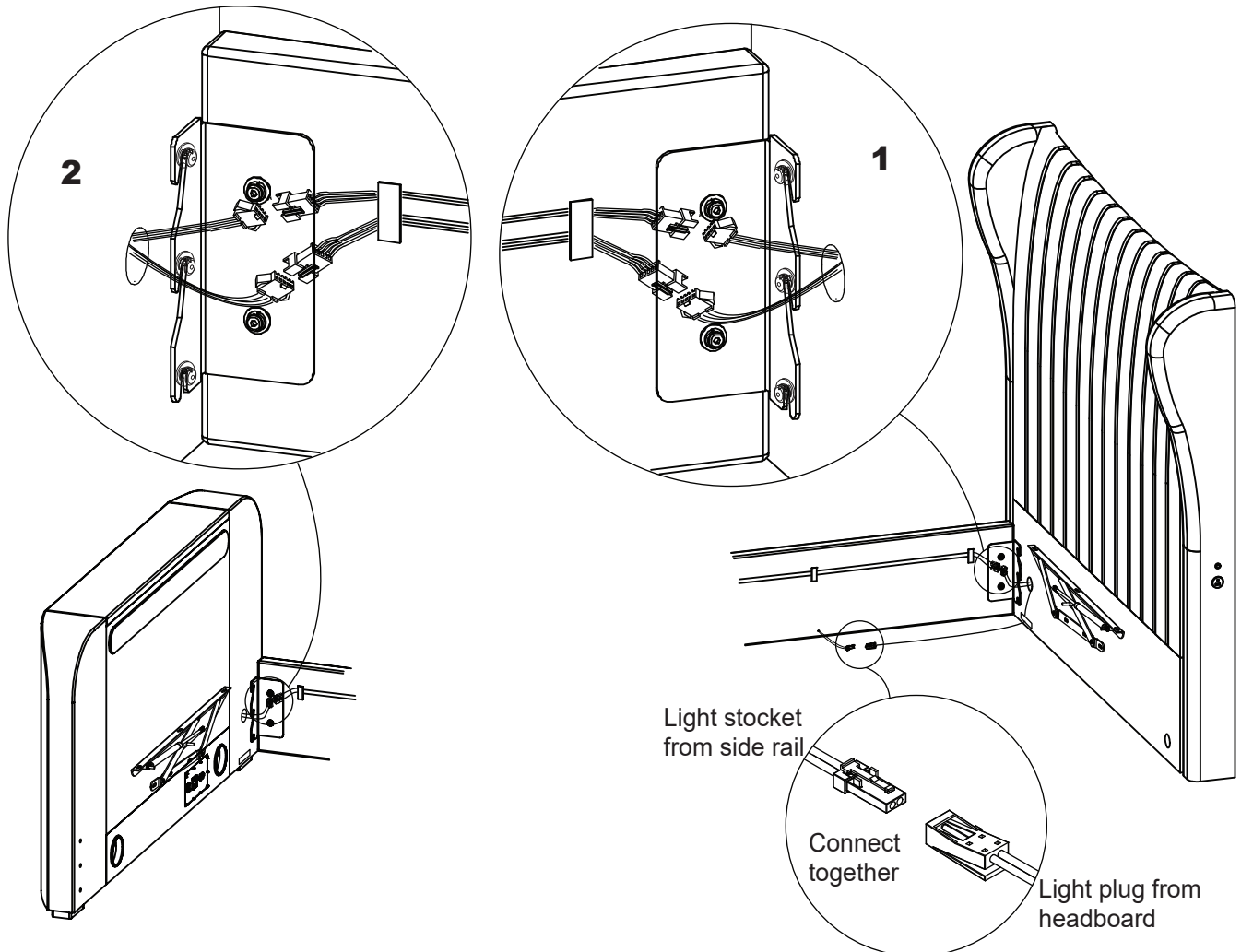
Step 4

Always to LEFT side rail 3 or 4, irrespective of which side is chosen to be plain or with media tray, fit Headboard Speaker/USB connection cables (P & I) tucking neatly under Velcro flaps.



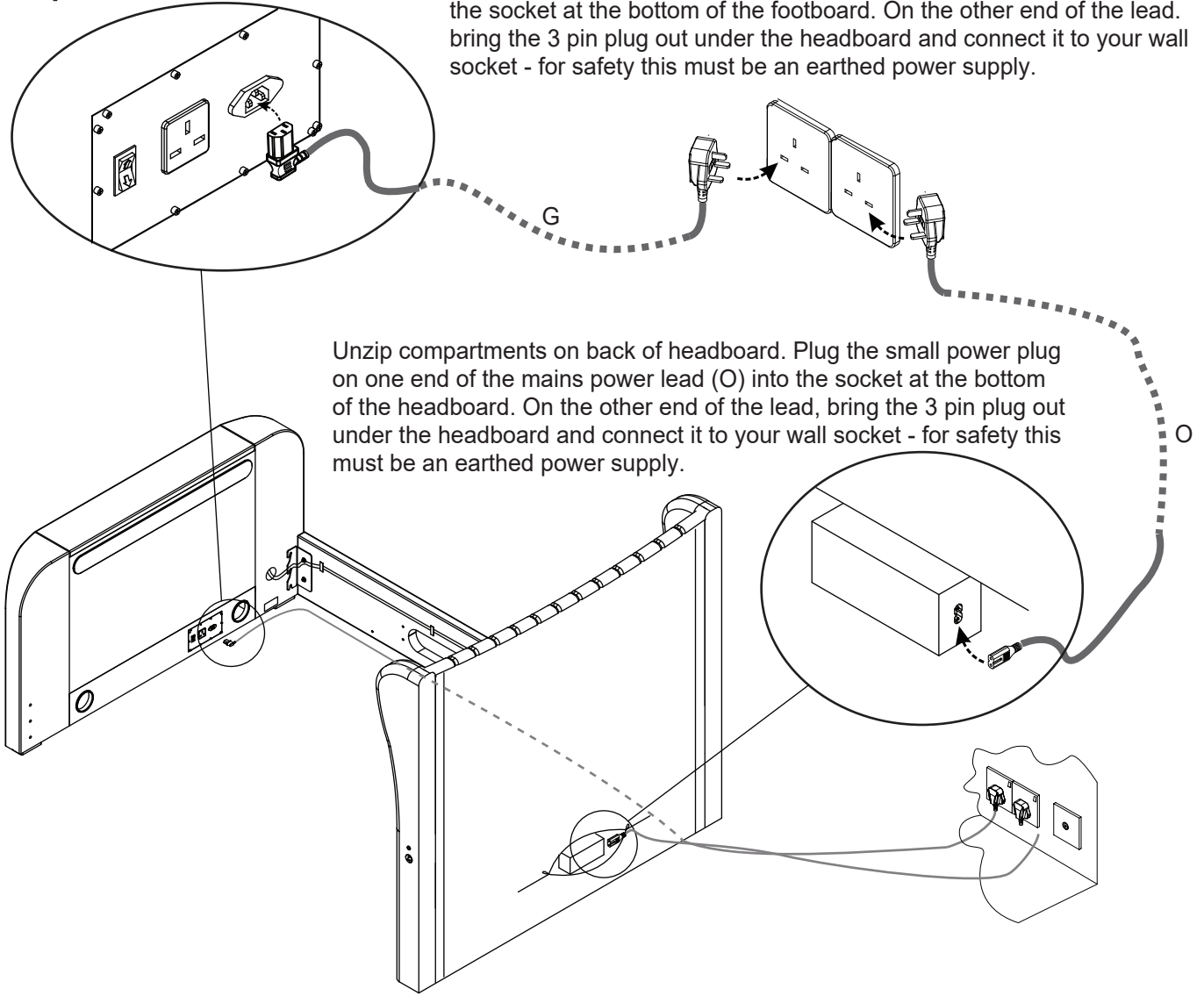
Step 5

On the connection cables P & I, connect plug and sockets together, these are clearly labeled.



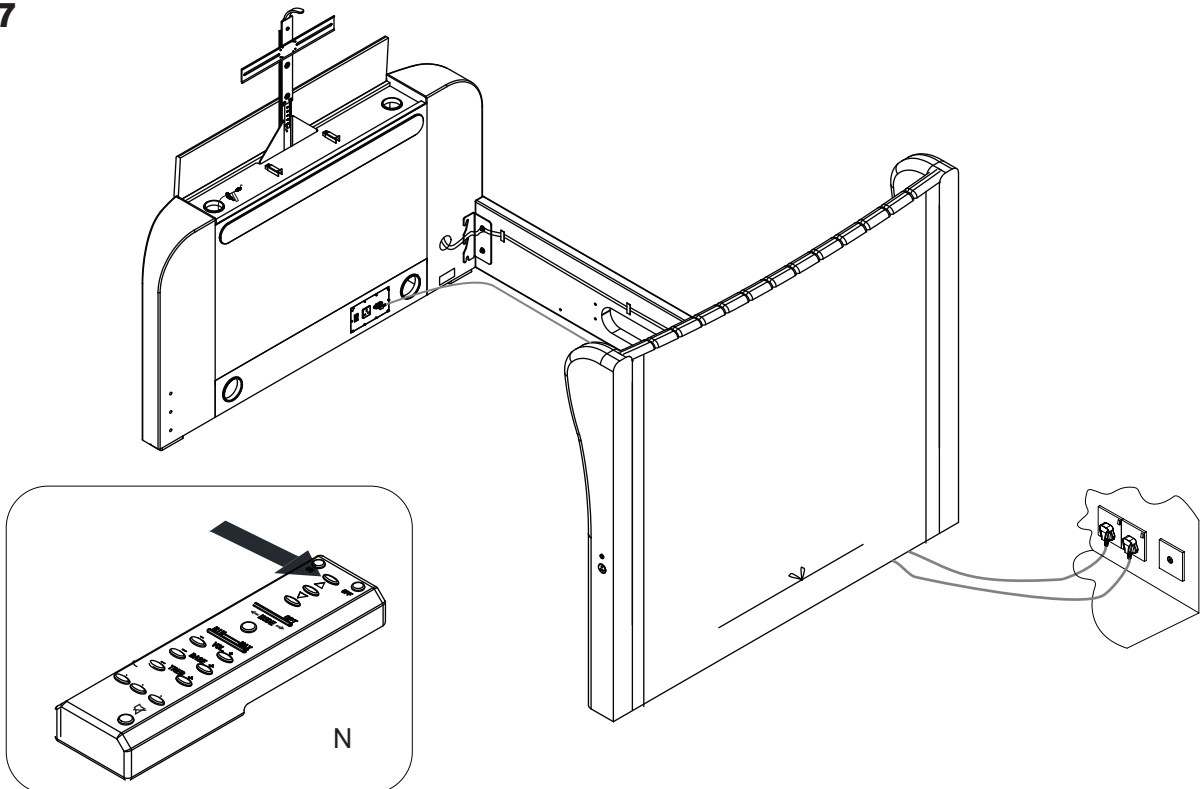
Step 6

Plug the small power plug on one end of the mains power lead (G) into the socket at the bottom of the footboard. On the other end of the lead, bring the 3 pin plug out under the headboard and connect it to your wall socket - for safety this must be an earthed power supply.



Unzip compartments on back of headboard. Plug the small power plug on one end of the mains power lead (O) into the socket at the bottom of the headboard. On the other end of the lead, bring the 3 pin plug out under the headboard and connect it to your wall socket - for safety this must be an earthed power supply.

Step 7



Press the "UP" button to raise the TV lift.

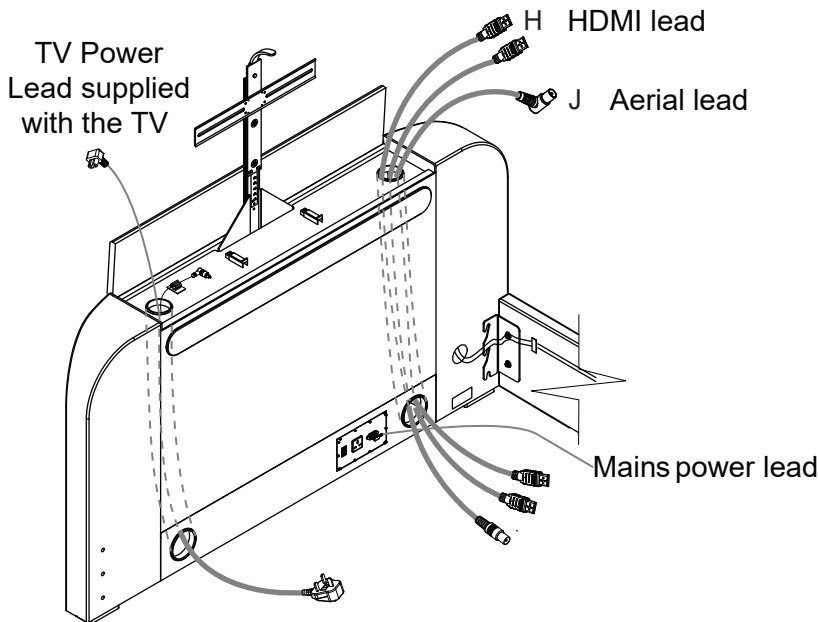
Step 8

Note: For illustration purposes only, TV connections may vary.

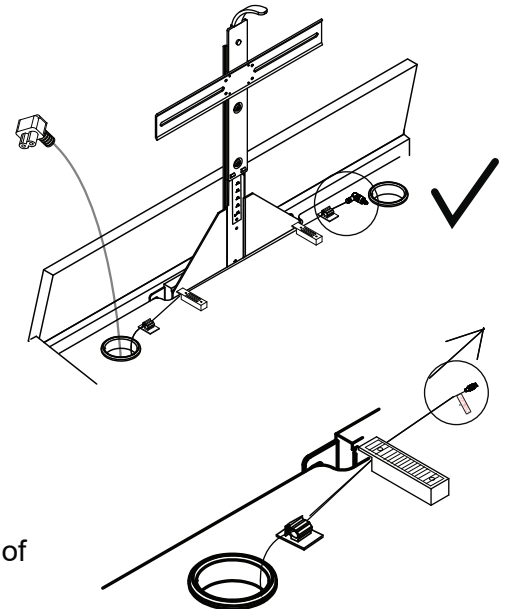
Tip:

Before fitting the TV, push any leads through each duct from the top choosing the best side to use depending on where the connection ports are on back of your TV.

Never cross leads from one side to the other unless as shown in the instruction below, in this Step.

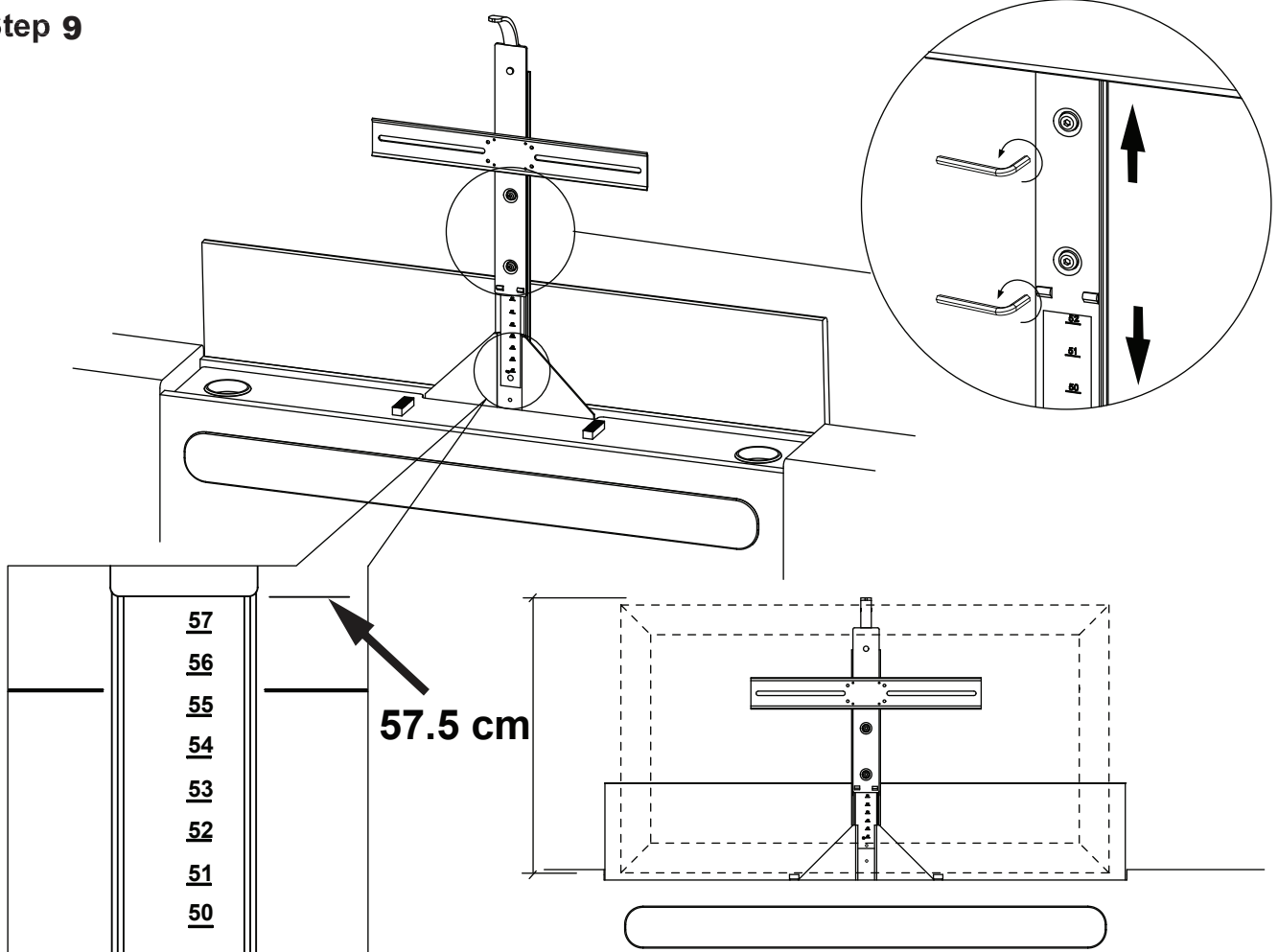


If optical socket is on rear RH side of TV, the plug is in the correct position.

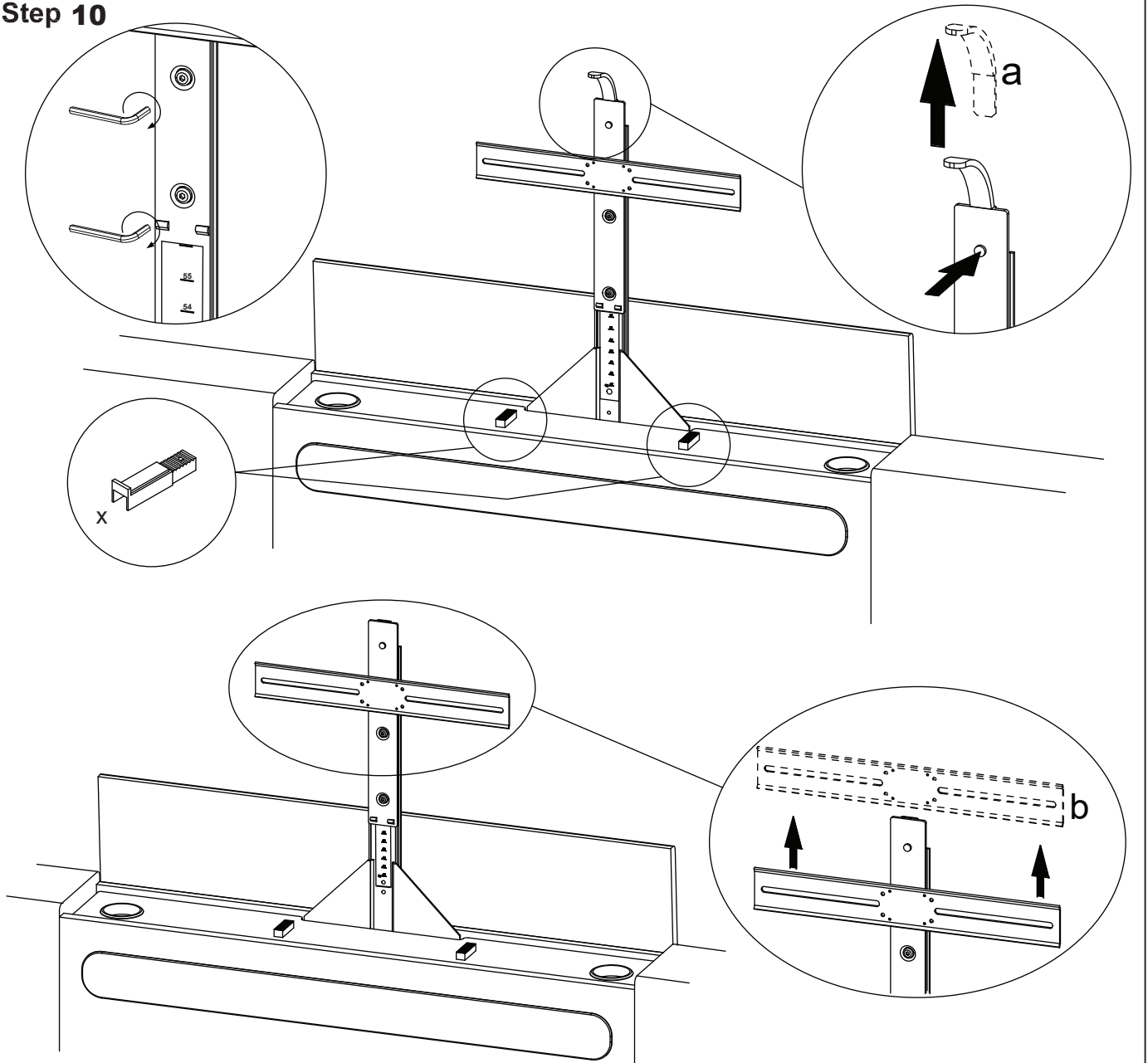


If optical socket is on rear LH side of TV, draw the loose lead out of the port and lay across TV Lift cover board as shown. Use cable clip (R) on each side to keep leads straight and out of harms way.

Step 9

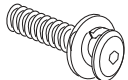
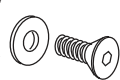
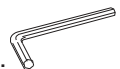


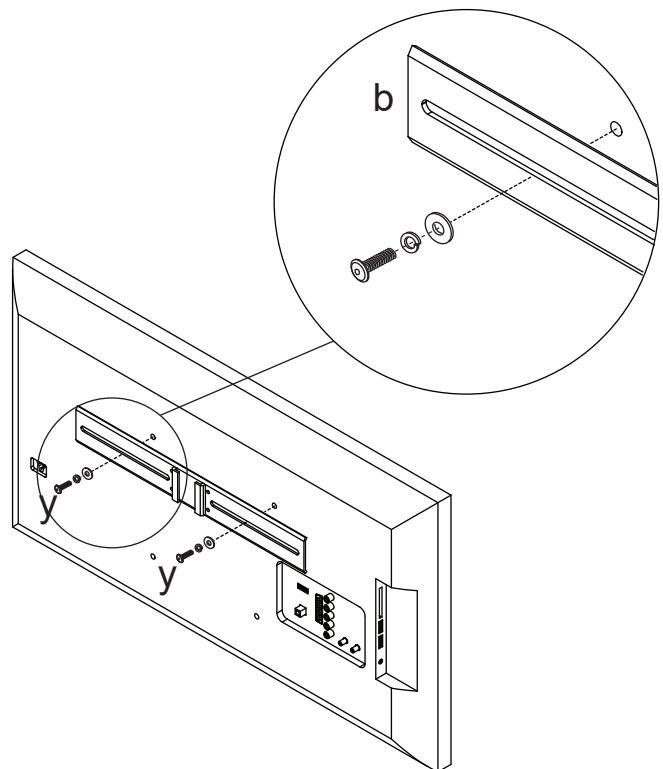
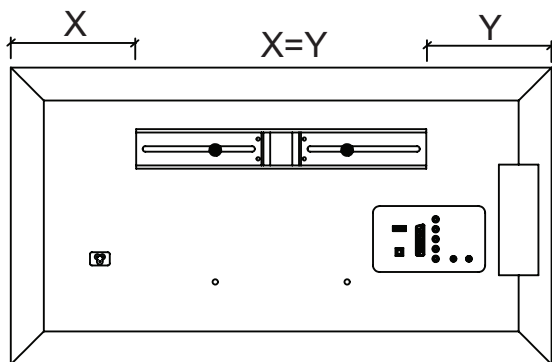
Step 10



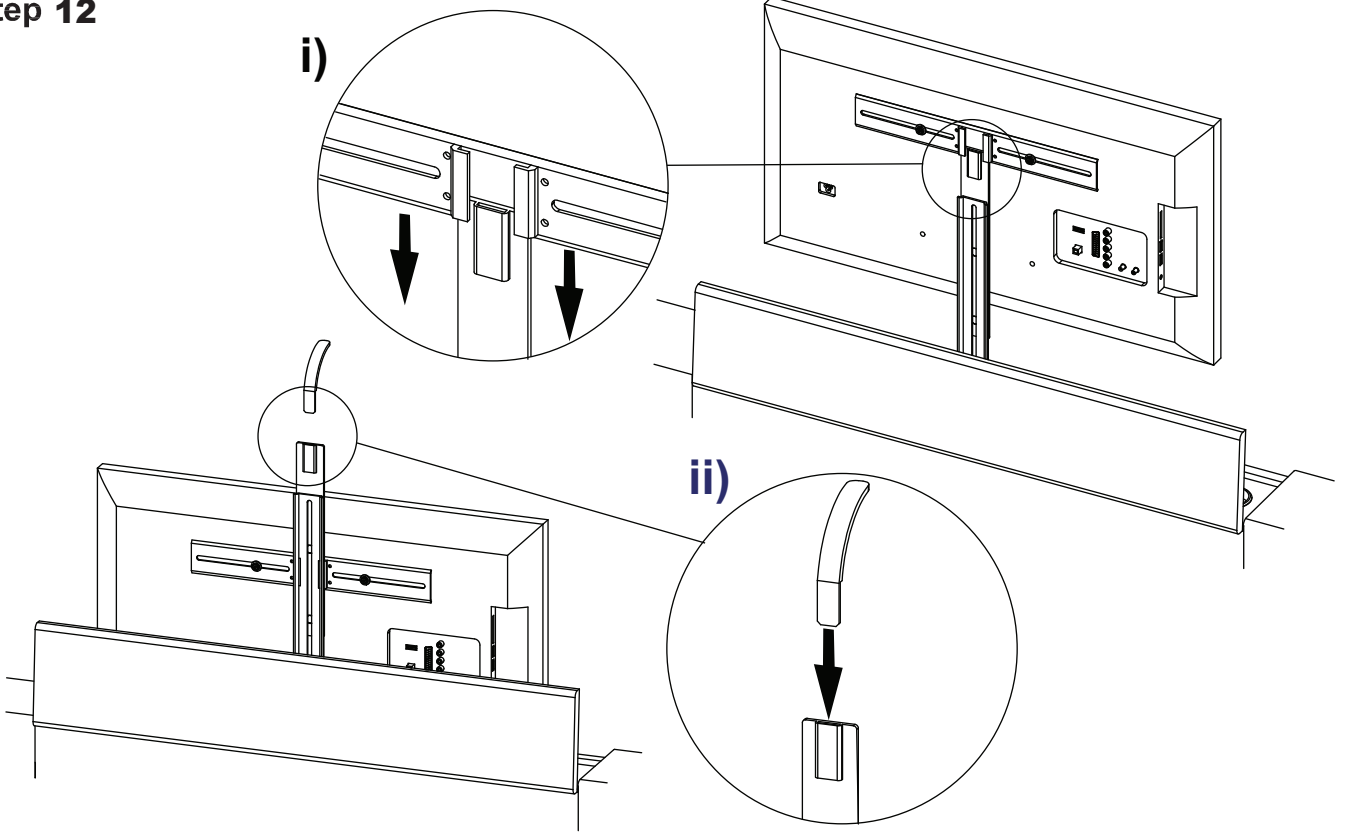
Step 11

If hardware is not supplied with the TV, choose suitable fittings from the TV Kit

	Bolt sets (M8 x 25mm)	
y	Countersunk screw sets (M6x12mm). Countersunk screw sets (M 4 x12mm).	
z	Allen Key (4mm). Allen Key (2.5mm).	

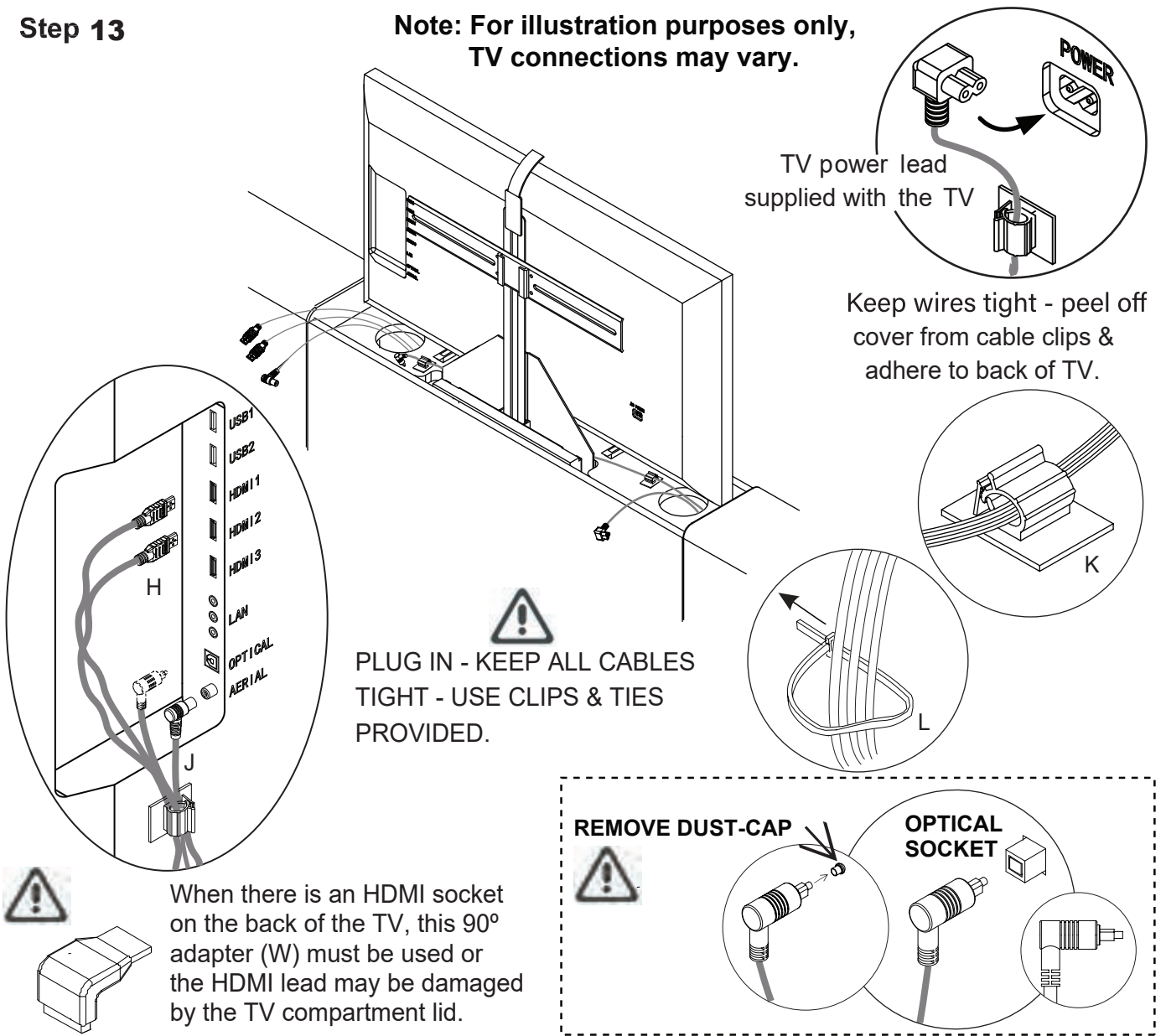


Step 12

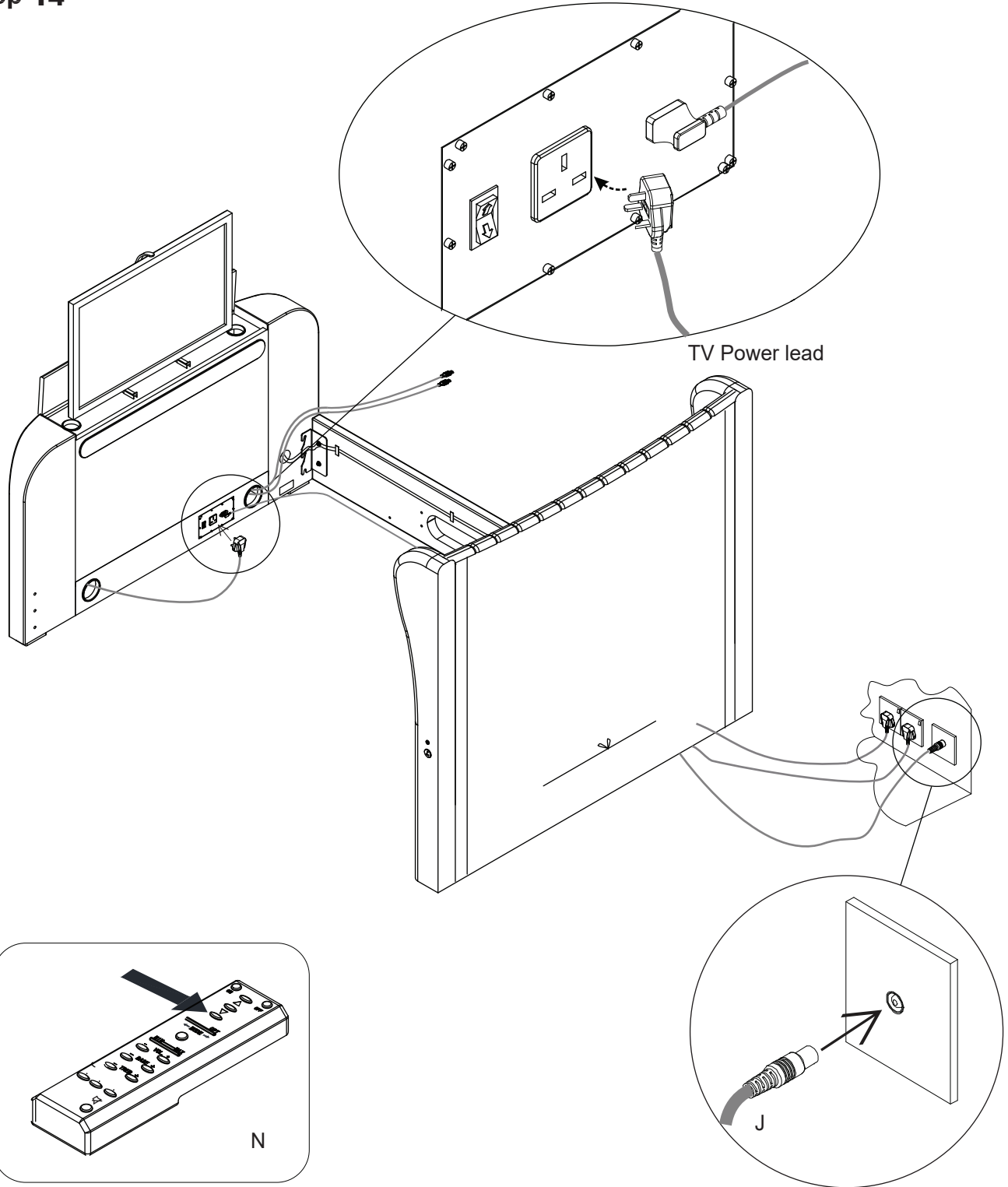


Step 13

Note: For illustration purposes only, TV connections may vary.

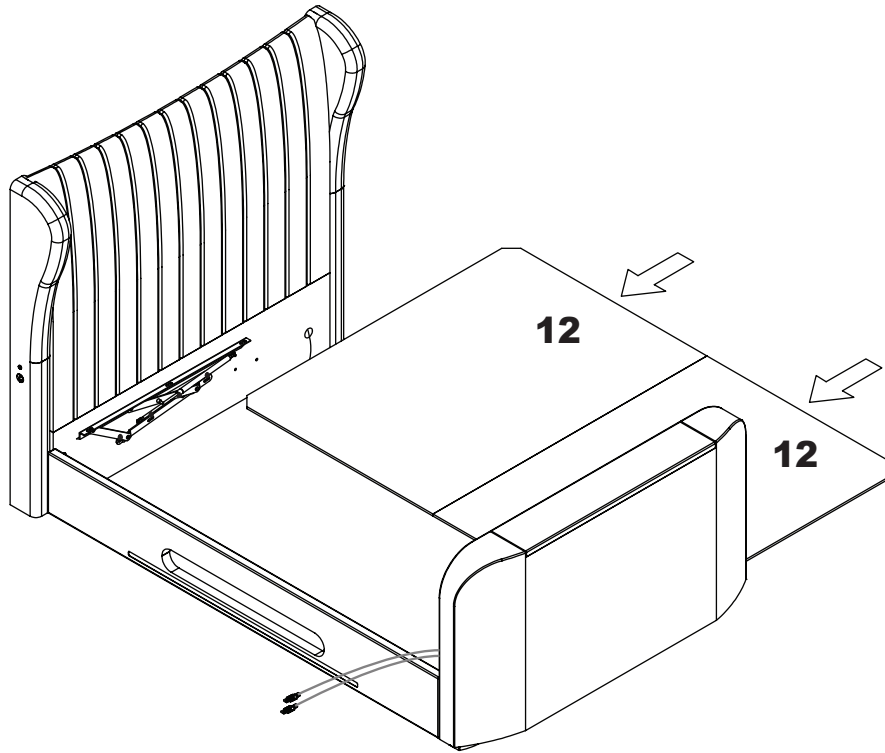


Step 14



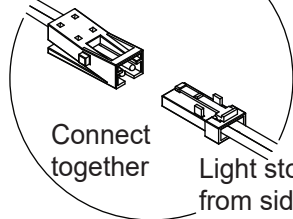
Press the "DOWN" button
to lower the TV lift.

Step 15

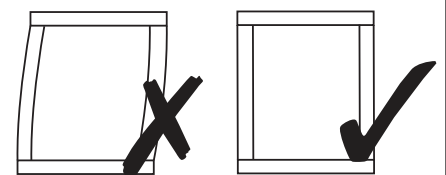
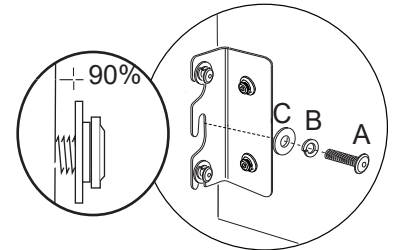
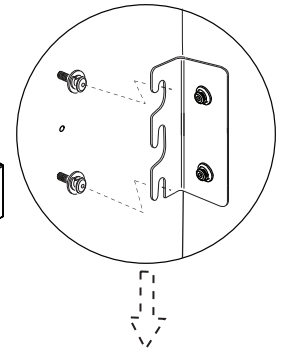
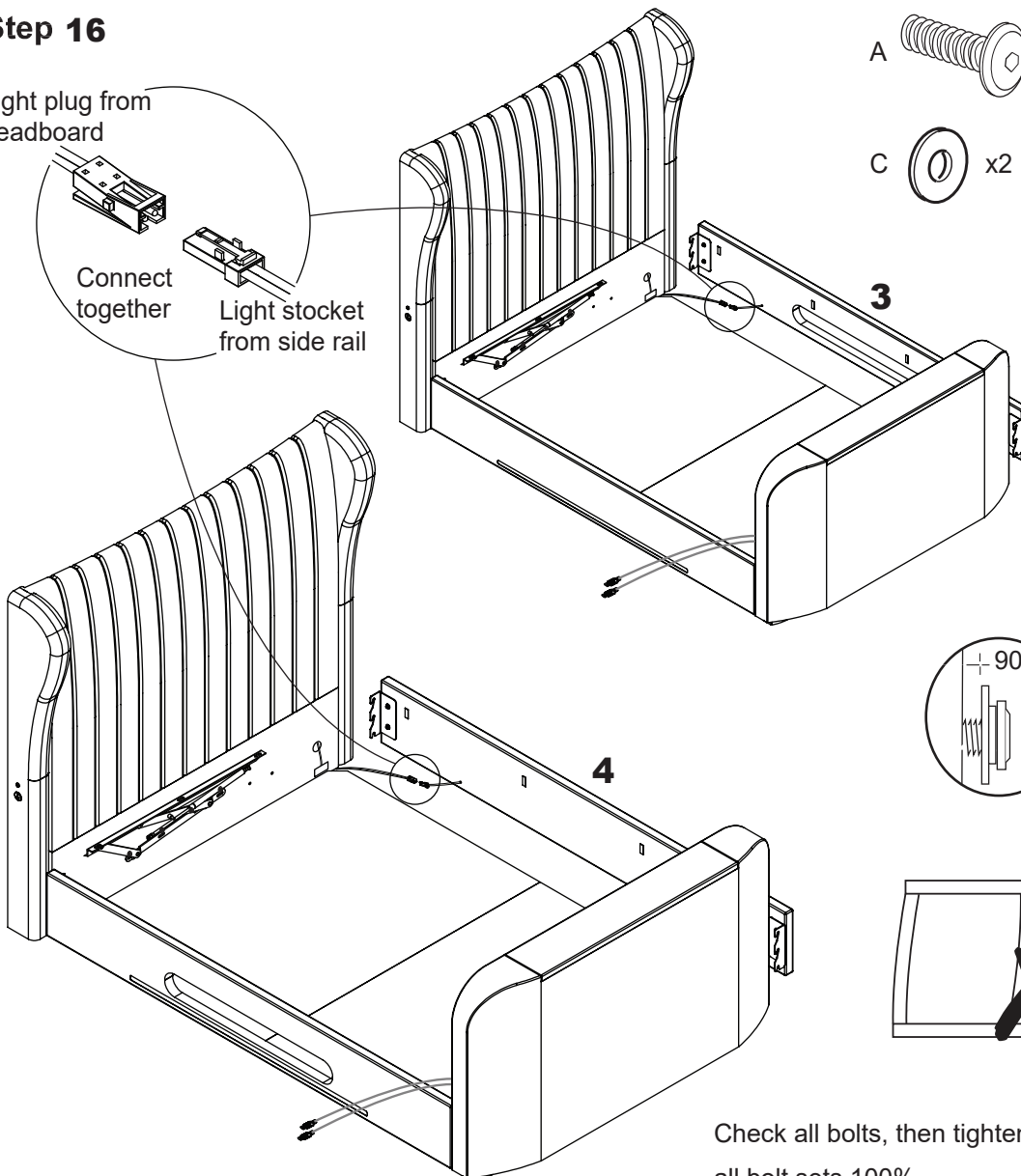
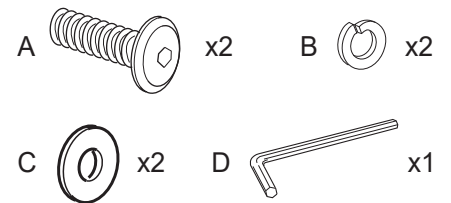


Step 16

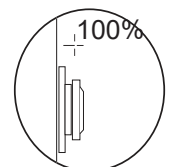
Light plug from headboard



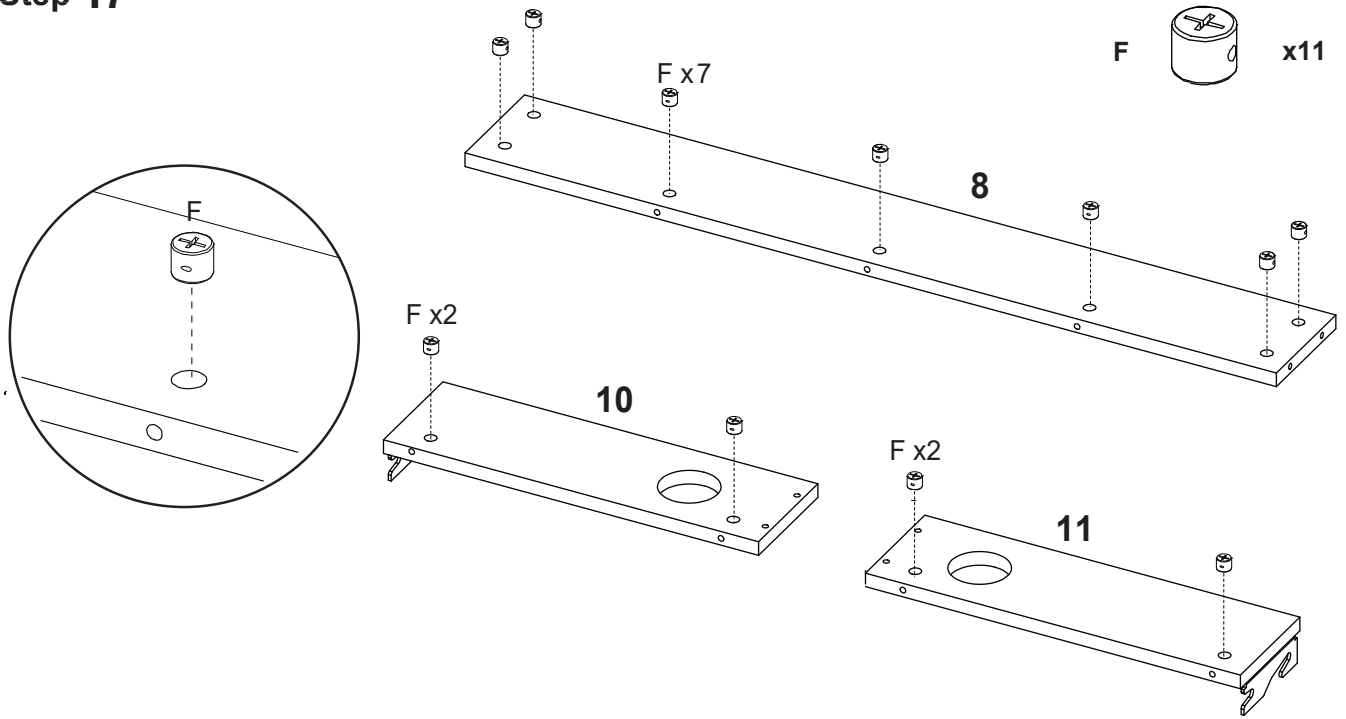
Light socket from side rail



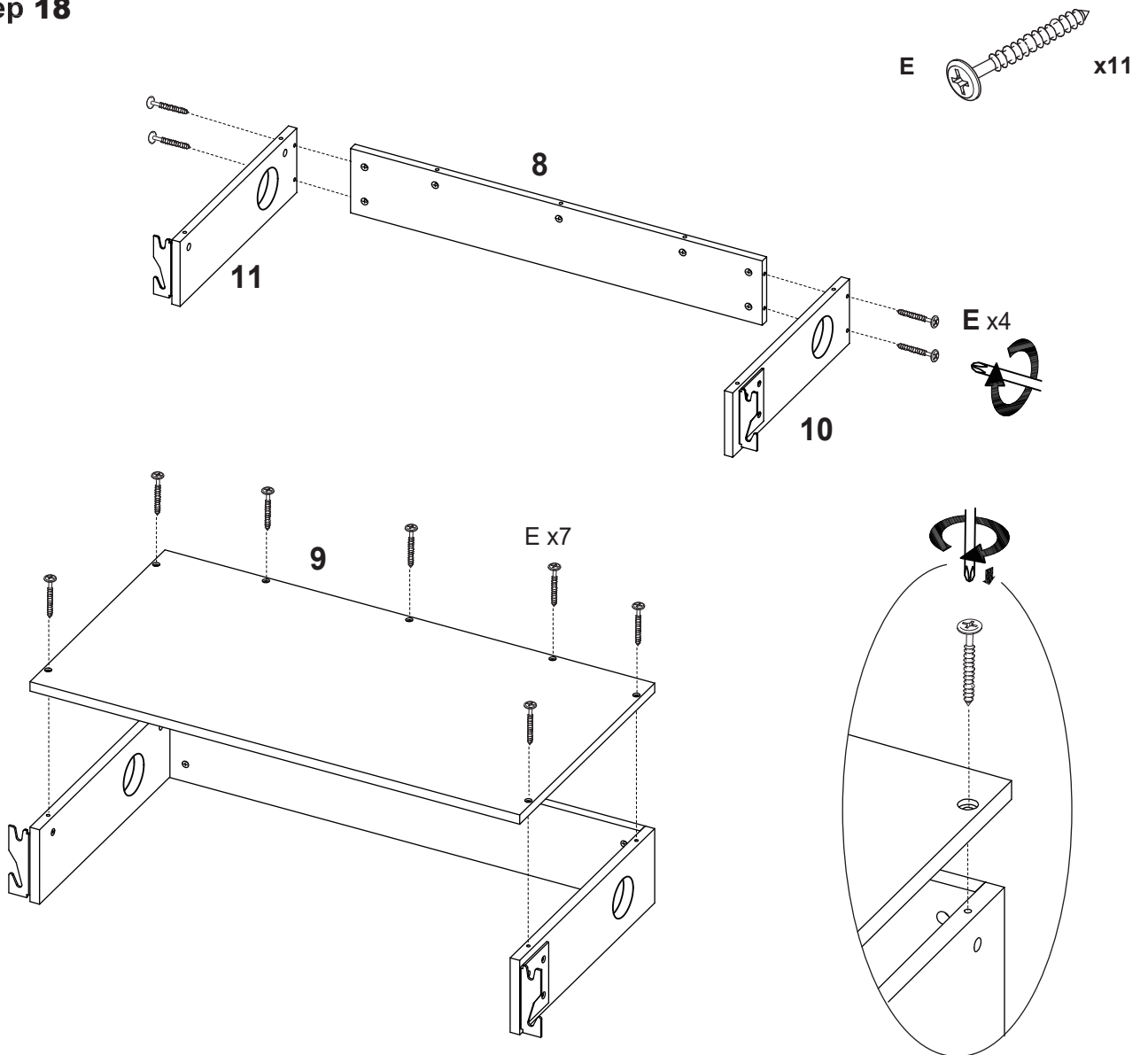
Check all bolts, then tighten all bolt sets 100%.



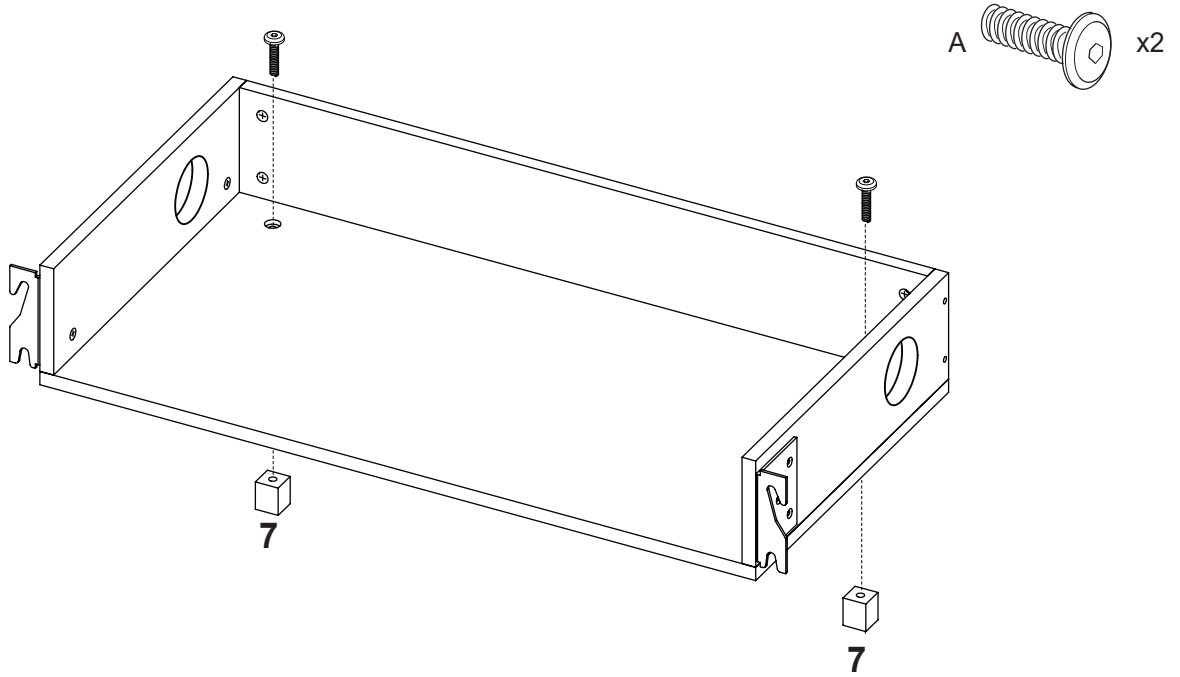
Step 17



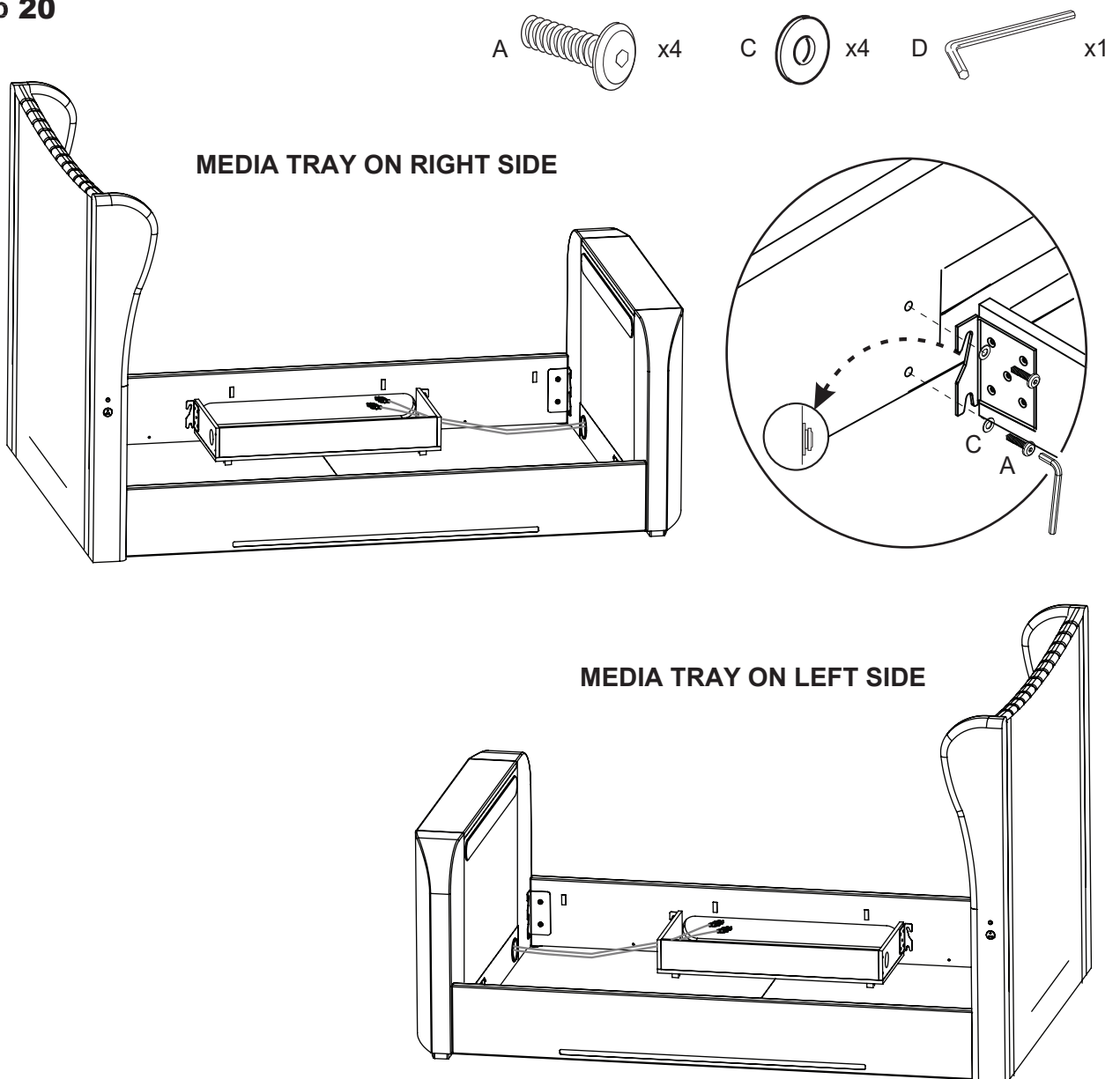
Step 18



Step 19

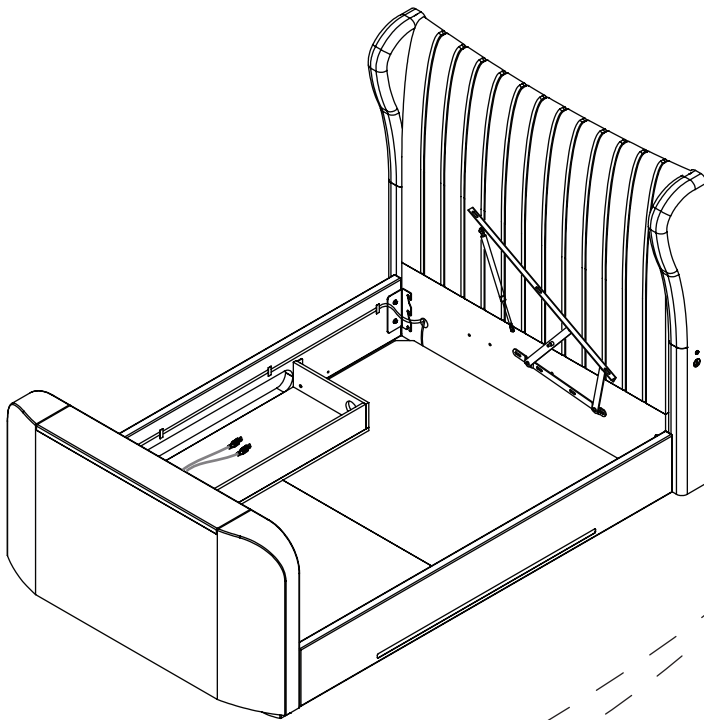
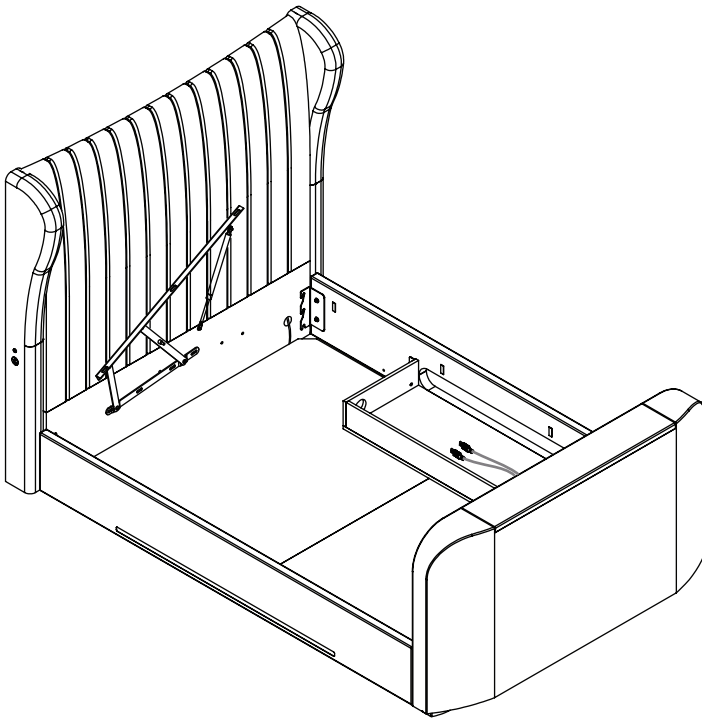


Step 20

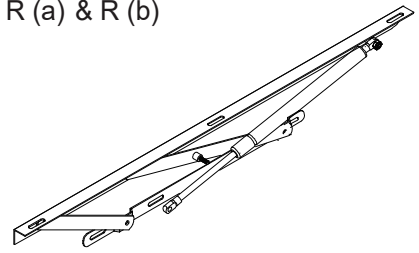


Step 21

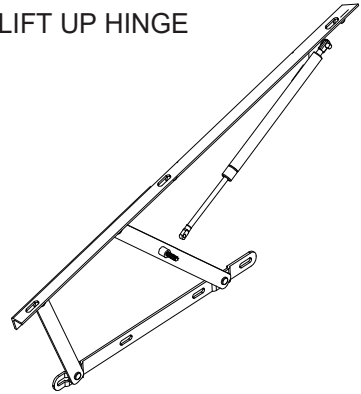
S  x2 T  x1



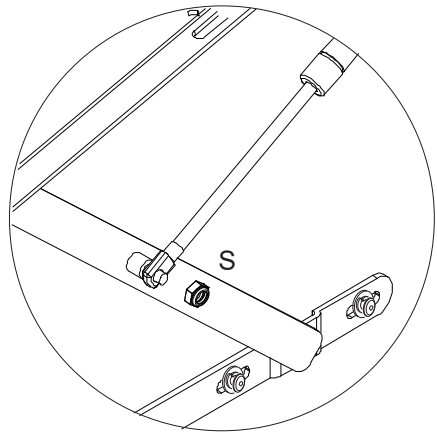
R (a) & R (b)



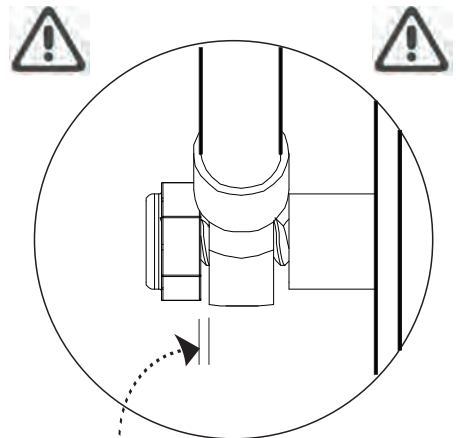
LIFT UP HINGE



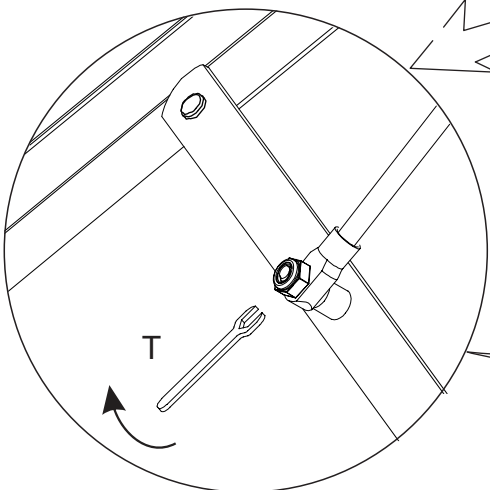
SLIDE PISTON ONTO STEM



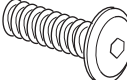


FIT FLANGE LOCK-NUT (S)

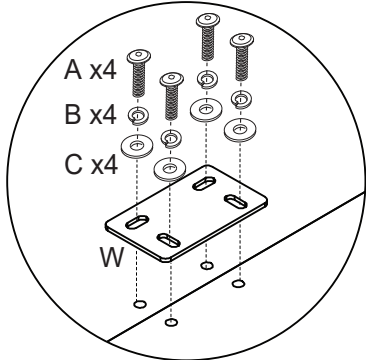


DO NOT OVERTIGHTEN
LEAVE A SMALL GAP

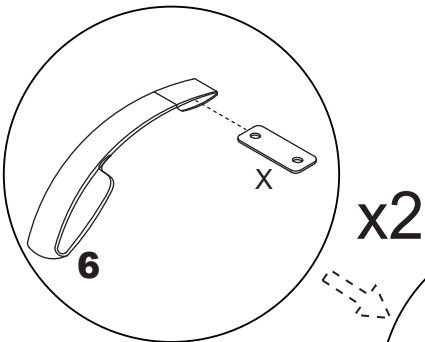
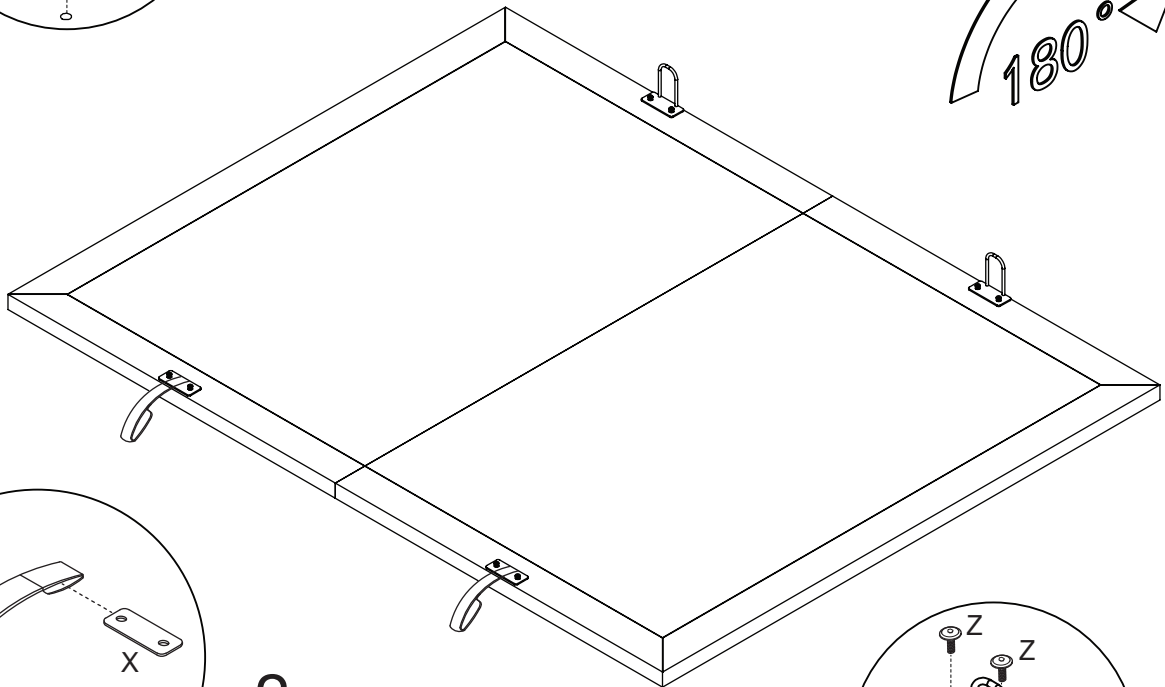
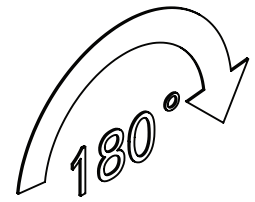
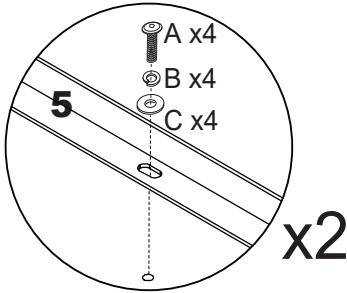
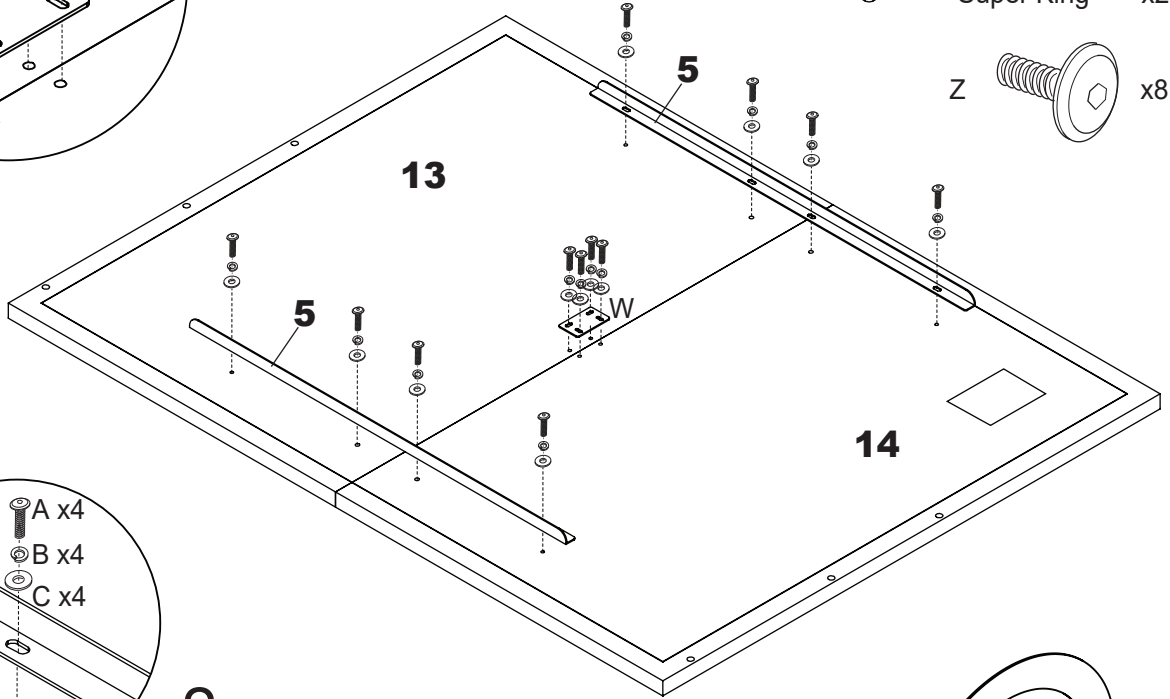
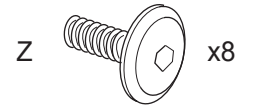
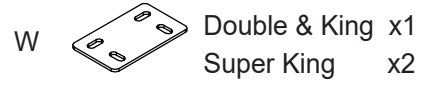


Step 22

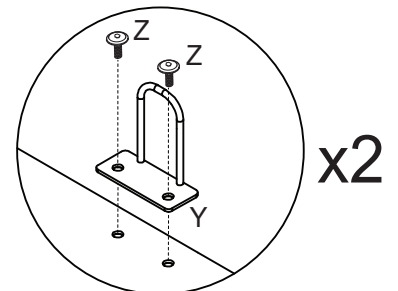
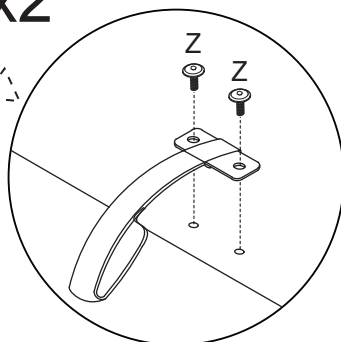
- A  Double & King x12
Super King x16
- B  Double & King x12
Super King x16
- C  Double & King x12
Super King x16



Double & King x1
Super King x2

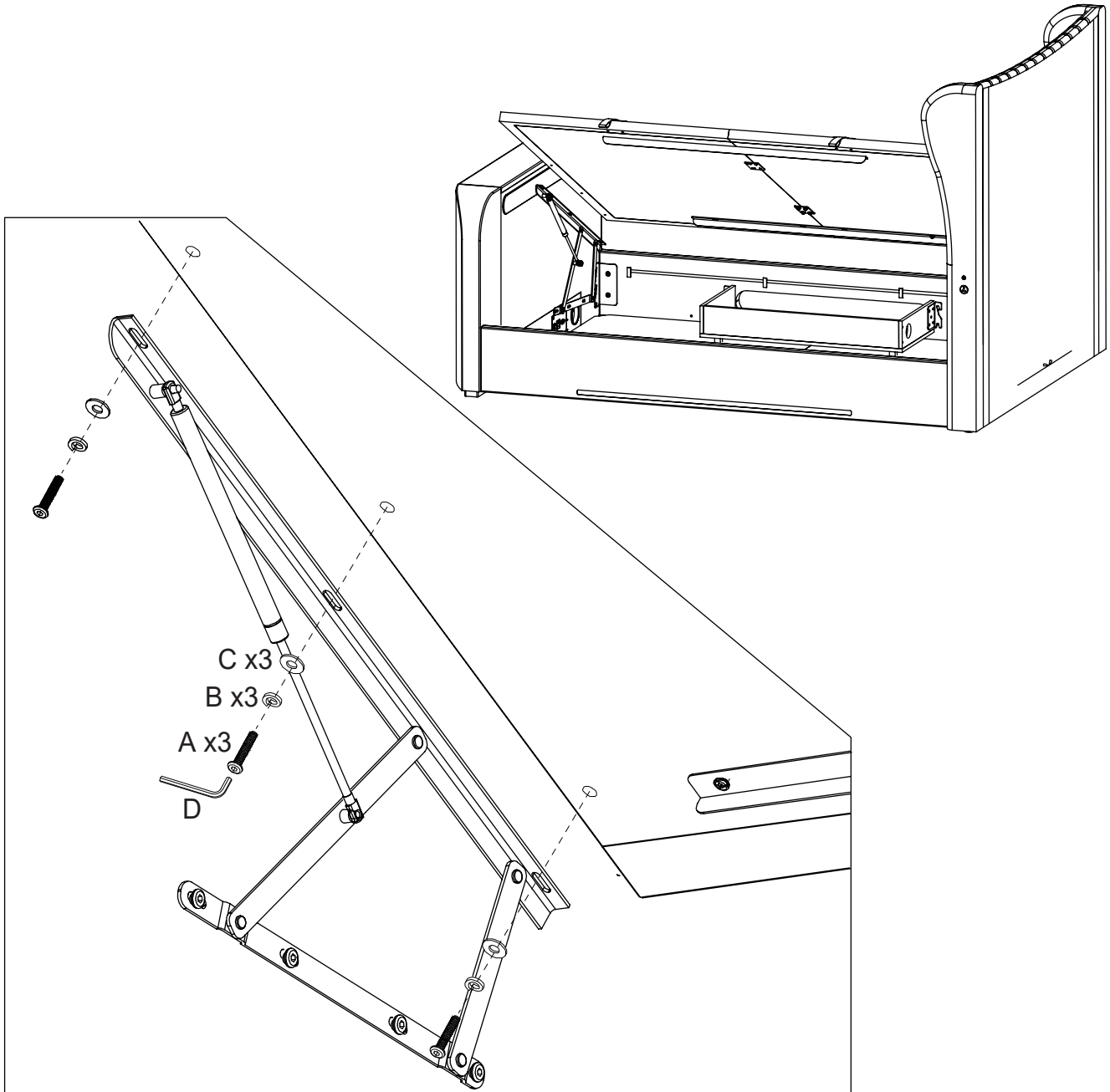
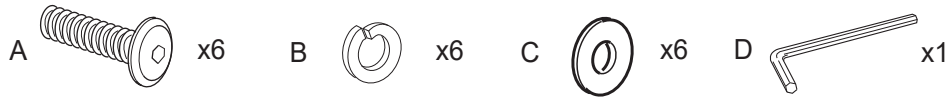


x2



x2

Step 23



- 1 Before moving the mattress base board, place a mattress on top of the board as without a mattress in place the speed of movement is quick and may cause injury so be careful.
- 2 Carefully lower the base board with the hand-strap ensuring the board edges are aligned with the side rails; there should be an even edges on each side. If not aligned, check bed is still square and if it is, but edges are still not even, re-align the base boards.
- 3 Depending on the weight of the mattress, the rising speed will vary so be careful until you get used to the speed. Always use the strap to lift or lower the mattress base board - keep fingers well away from the moving parts.
- 4 To help prevent any accidental entrapment, please make certain the ottoman is lifted right to the top of it's travel before putting in or retrieving an item from the storage area.
- 5 When finished, slowly lower the frame back to the lower rest position using the hand strap only.

When fully assembled and with the mattress in position, please raise & lower the ottoman 4/5 times to ensure the gas pistons are fully lubricated.

Technical Specifications

Maximum Size of TV (LHD mm)

980 x 570 x 80

Overall Dimensions (LWH mm)

Double: 2260 x 1480 x 1460

King: 2360 x 1630 x 1460

Super King: 2360 x 1930 x 1460

Internal Dimensions (LWH mm)

Double: 1940 x 1290 x 265

King: 2040 x 1440 x 265

Super King: 2040 x 1740 x 265

Media Tray Dims (WDH mm)

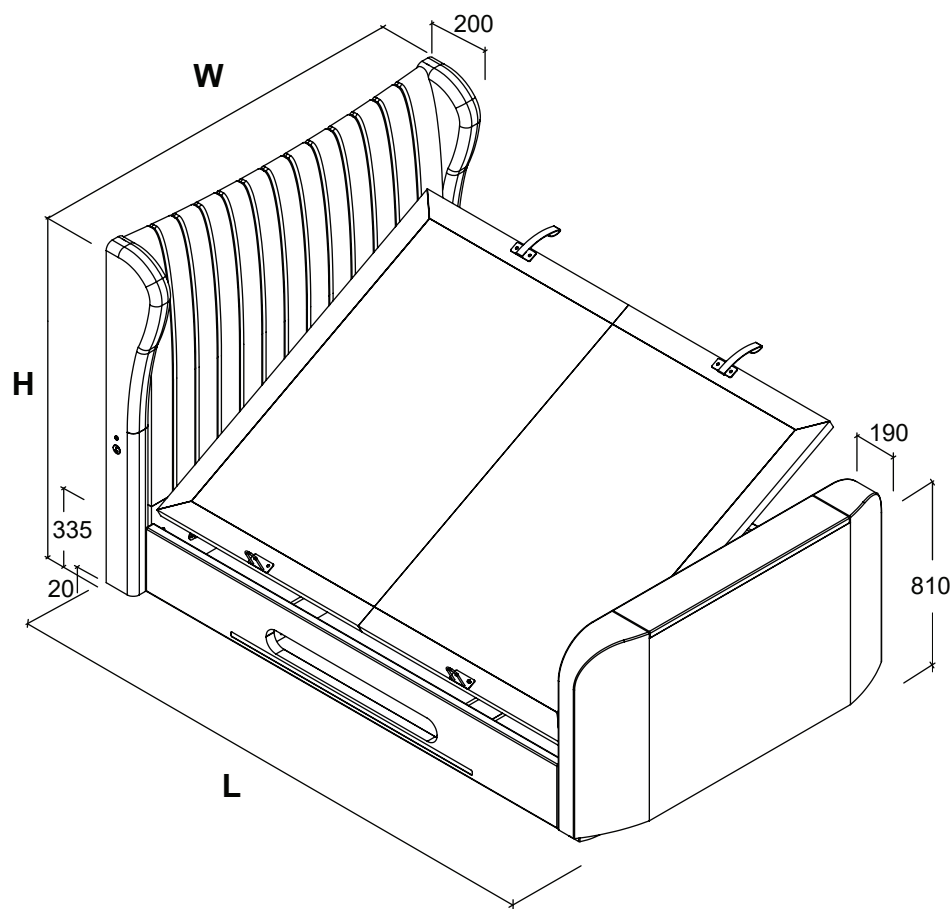
885 x 360 x 175

Ottoman Piston Rating

Double: 900N

King: 1000N

Super King: 1200N



Product Information

- Upholstered Bed Using Polyester Fabric. Conforms to BS EN 1725 & BS 5852.
- TV Lift system has a maximum load capacity of 14 Kg
- Compatible with slimline LED television with a screen size of 42".
- Maximum TV dimensions: W98 x H57 x D8cm

Care Instructions

- Avoid exposing the furniture to excessive heat or direct sunlight as this can cause cracking and deterioration of the colour.
- Periodically check & re-tighten any fastener.
- Periodically wipe with a soft damp cloth or if fabric, dust lightly using a small vacuum cleaner..
- Do not use silicone based furniture polish.
- Any spills should be removed immediately with a soft damp cloth.
- TAKE CARE WHEN MOVING THE FURNITURE AND NEVER DRAG THE PIECES ACROSS THE FLOOR, AS THIS WILL CAUSE DAMAGE TO THE JOINTS.



We cannot be held responsible for any damage caused to the TV, TV cabling or the TV Bed itself due to incompatibility of any additional equipment installed by the end-user or due to loose and poorly installed cables. Please read this Assembly Instruction carefully and follow the recommendations.

CE TV LIFT REF: MEWR1129+ME2109MM CONFORMS TO STANDARD FOR UK & LED CONFORMS TO STD FOR UK (EMC, LVD & ROHS)

TV BED SAFETY INFORMATION



GENERAL INFORMATION

It is very important not to place any vessel containing liquids, e.g. drinks or vase of flowers, on top of the TV footboard which may accidentally spill and enter the TV compartment as this could cause damage to the TV and/or the TV lifting equipment. If this happens, please contact your retailer.

Do not expose the bed to an undue level of heat - keep away from radiators.

Never allow anyone to sit on the foot end of the bed - keep children well away from moving parts.

To keep bed clean, we recommend that it be wiped over with a slightly dampened cloth or if fabric, use a light vacuum cleaner; disconnect power before cleaning.

Supplied with the bed is a remote control to operate the TV Lift and when you fit your own TV there is a remote control to operate it as well. Both these remotes use batteries - there are no batteries in the rest of the equipment.

There are strict controls for disposal of batteries - your local council can advise on how to safely dispose of them.

Never burn batteries on an open fire as they could explode.

IMPORTANT POWER INFORMATION

It is essential that the mains power lead is connected to an earthed socket be it a wall socket or extension lead - otherwise there is risk of damage or even electric-shock.

The socket providing the power must be accessible at all times in case you need to switch off the power quickly.

During an electrical or lightning storm - disconnect the power completely as a precaution.

Always un-plug the power when going on holiday or when the bed is not used for an extended period.

If you have young children in the home always disconnect the power at the wall socket for extra safety.

Power outlets, extension leads or adapters must not be overloaded beyond their limit - this can result in fire or electric shock. Leads supplied with this bed, or other approved mains powered extension leads used to power the equipment, must not be placed where they can be walked on - this is dangerous and could lead to accidents.

Do not interfere with or modify any cables already fitted and do not add any extra media leads unless they are routed through the ducts as shown. All leads must be tightly connected to back of TV, never hanging loose.

Never touch moving parts or any part of the equipment - if something needs to be checked, disconnect the power first.

Do not insert anything into the footboard as this could seriously damage the TV and/or the TV lifting equipment and could, if done carelessly, cause serious damage or injury.

If the equipment doesn't operate normally or if there is any unusual noises, disconnect the power.

TELEVISION INSTALLATION

Before fixing the mattress base to the bed, please follow the television installation instructions below

Raise the TV Lift by pressing the UP button of the remote control.

Connect the TV using the TV Installation Kit packed in the accessory box in carton 2. If screws are supplied with your TV, use these in preference.

Connect the TV to the mounting bracket plate.

If necessary mounting plate can easily be adjusted to move TV up or down.

Connect the TV Power Lead (supplied with TV) by passing plug down one of the ducts, plugging it into the adapter if required then into the TV power socket which is on the face of footboard.

Note that this socket is only to be used for the TV, power output is not constant.

Arrange the Aerial & HDMI cables by passing down the appropriate duct.

If required, connect your own media cables through either of the ducts then connect your media equipment.

Please use the cable clips & cable ties to make certain there are no loose wires to snag.

The TV can now be operated following the TV Operation Guide supplied with your TV.

When finished viewing lower the TV back into the footboard by pressing DOWN button of the remote control. The TV will retract into the footboard automatically - power shall be turned off when TV reaches the bottom. When the UP button is pressed - the TV Lifting Column rises and power to the TV turns back on automatically.

TROUBLE SHOOTING

If your equipment does not operate please check all the power connections to the wall and to the socket in the footboard.

Make sure TV is switched on. (Note: TV will only work when it is in the up position).

Follow instruction below to make certain pairing of remote control has not been lost.

If the television or the TV Lift still fails to operate please contact your retailer.

IMPORTANT: Care should be taken when connecting electrical items. If in any doubt please consult an approved electrician to advise you on the electrical supply to achieve safe connections, to the electrical equipment of the TV Bed.