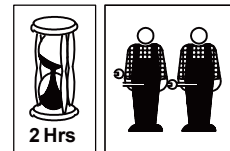




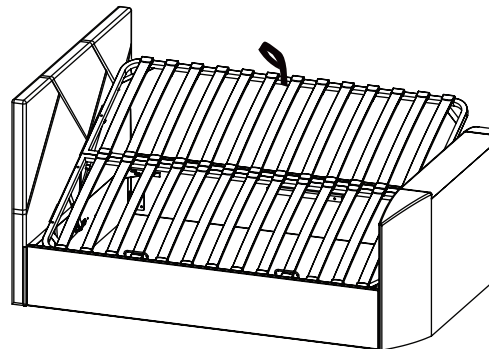
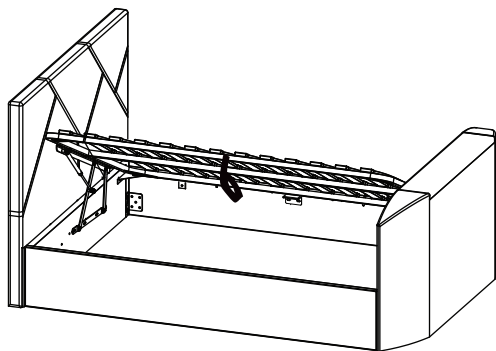
SIGMA OTTOMAN TV BED

Assembly Instructions

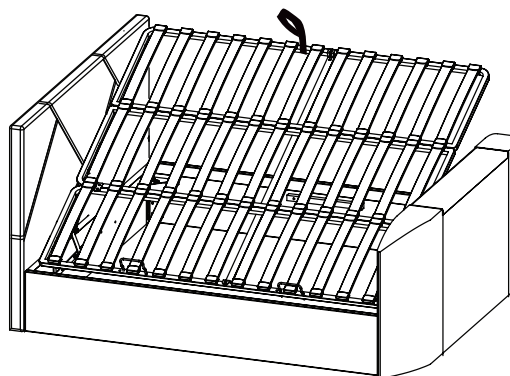
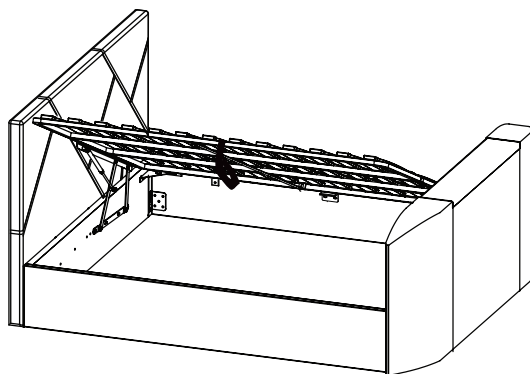
please keep these instructions for future reference.



Double & King



Super-King

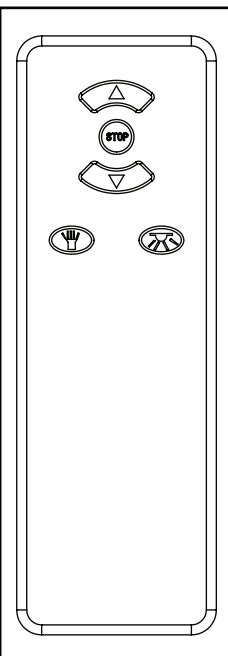


Important Information

- We suggest you spend a short time reading through this leaflet and then follow the simple step-by-step instructions.
- Carefully check that you have all the parts before beginning assembly.
- Keep fittings out of children's reach and keep children well away from construction area.



An instructional video of the operation of the Ottoman Lift Up System is available via YouTube using the following address: https://youtu.be/hyq4zm7h_yU



Press once and TV will rise to it's upper working position. Power to the TV will be connected automatically



Press once and TV Lift will stop.



Press once and TV will go down - as soon as the lower resting position is reached power to the TV is switched off to prevent it overheating.



Torch



Code Matching

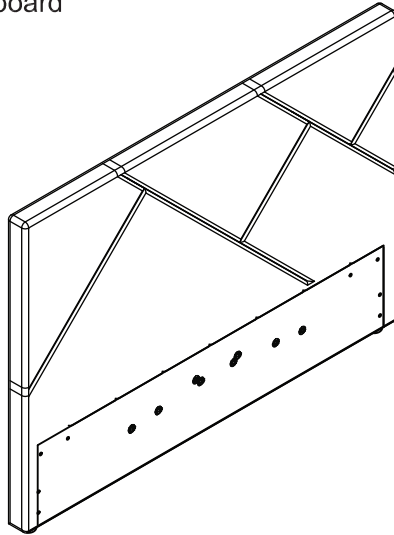
Code Matching (pairing): occasionally pairing is lost, perhaps due to atmospheric conditions, To re-pair - press and hold the code matching button whilst connecting the power by plugging the mains cable into the control box of the TV lift on the base of the footboard. Continue to press the button for another 5 seconds then press the up or down button to successfully match the code.

Regularly check the batteries and if necessary re-place them - x3 pcs AAA size.

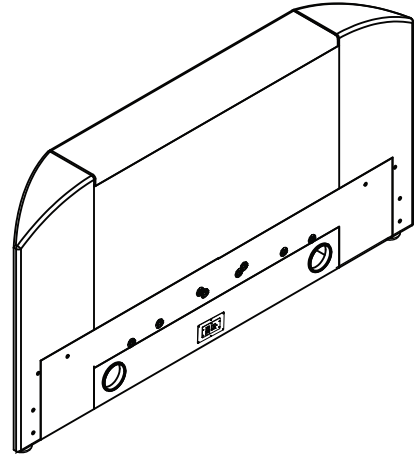
CARTON 1 - HEADBOARD

CARTON 2 - FOOTBOARD

1) Headboard



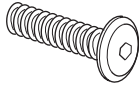
2) Footboard



The following items are in an accessory box, inside the TV Compartment within the Footboard

Hardware Pack for Bed Assembly

A) x24



Bolts (M8x30mm) for fitting side rails (3) to headboard & footboard (1&2)

B) x24



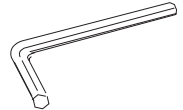
Spring washer for M8 bolts

C) x24



Flat Washer for M8 bolts

D) x1

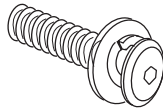


Allen key for M8 bolt

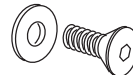
Hardware Pack for TV Installation
Choose a suitable set of hardware

a)

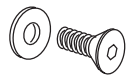
Bolt sets
M8 x 25mm



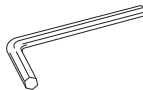
Counter-Sunk Screw sets (M6x12mm)



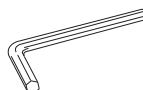
Counter-Sunk screw sets (M4x12mm)



b)



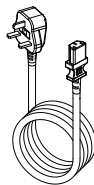
Allen Key (2.5mm)



Allen Key (4mm)

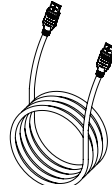
Cables & Accessories for TV Installation

G) x1



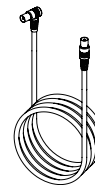
Mains power lead - 3 mt

H) x2



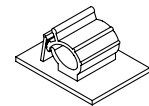
HDMI leads - 2.8 mt

J) x1



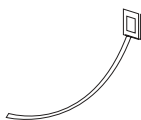
Aerial lead - 4 mt

K) x3



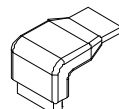
Cable clips

L) x3



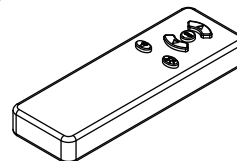
Cable ties

M) x1



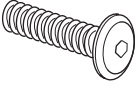



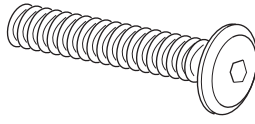

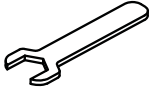
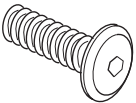
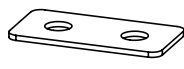

HDMI 90° adaptor

N) x1



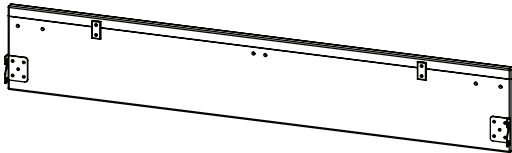
Remote control TV Lift

HARDWARE PACK FOR ASSEMBLY OF THE OTTOMAN SLAT FRAME - INSIDE PACK 4

<p>A) x12 Bolts (M8x30mm) for fitting gas-lift mechanisms U(a) & U(b) to headboard & footboard (1&2) and support brackets (Z)</p> 	<p>B) DOUBLE & KING x22 SUPER KING x24 Spring washer for M8 bolts</p> 	<p>C) DOUBLE & KING x28 SUPER KING x30 Flat washer for M8 bolts</p> 	<p>Q) x6 M8 nuts for slat frame bolts</p> 
<p>R x6 Bolts (M8x45mm) for fitting metal slat frame (5 or 8) to gas-lift mechanisms (U)</p> 	<p>S) x2 Flanged lock-nuts (M8) for gas-lift pistons</p> 	<p>T) x1 Spanner for M8 nuts</p> 	
<p>V) DOUBLE & KING x4 SUPER KING x6 Bolts M8x20mm for fitting connection plates (W) to slat frame (9 or 10) and fitting the cross bar (14) to Super King size slat frame only</p> 	<p>W) x2 Metal connection plates</p> 	<p>Z) x2 Metal slat support bracket</p> 	

CARTON 3 - SIDE RAILS

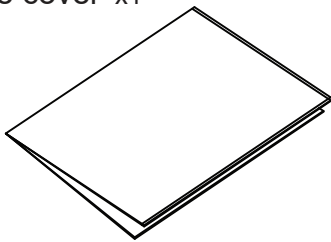
3) Side rails x2



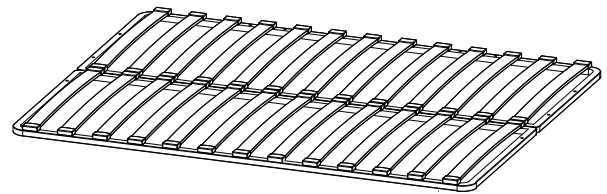
Y) Fabric hand strap x1

CARTON 4 - OTTOMAN SLAT FRAME

4) Fabric base cover x1



5) Metal slat frame for Double or King size x1



6) Corner brackets x4

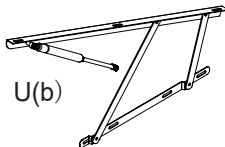
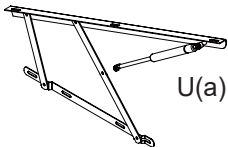


7) Mattress stoppers x2



Gas-Lift mechanisms

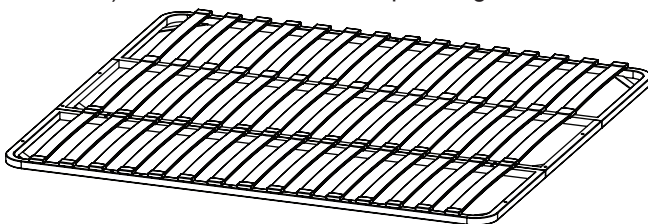
U x1 Pair



9) Cross bar for Super-King size only x1



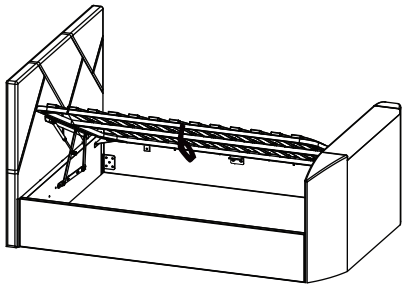
8) Metal slat frame for Super King size x1

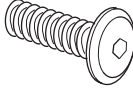



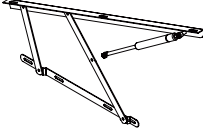



Step 1a

CHOOSE WHICH SIDE OF THE BED YOU WOULD LIKE TO LIFT UP

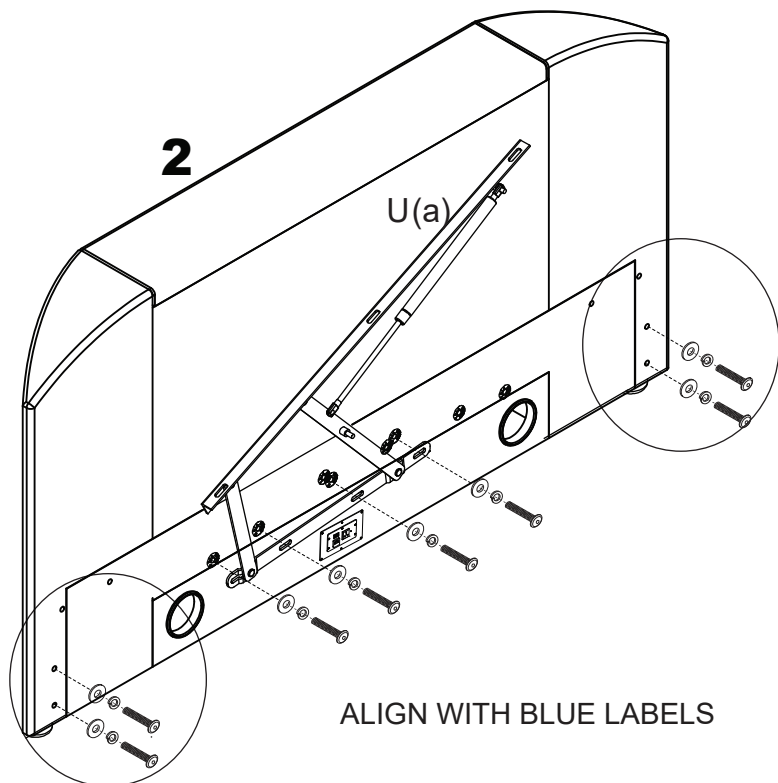
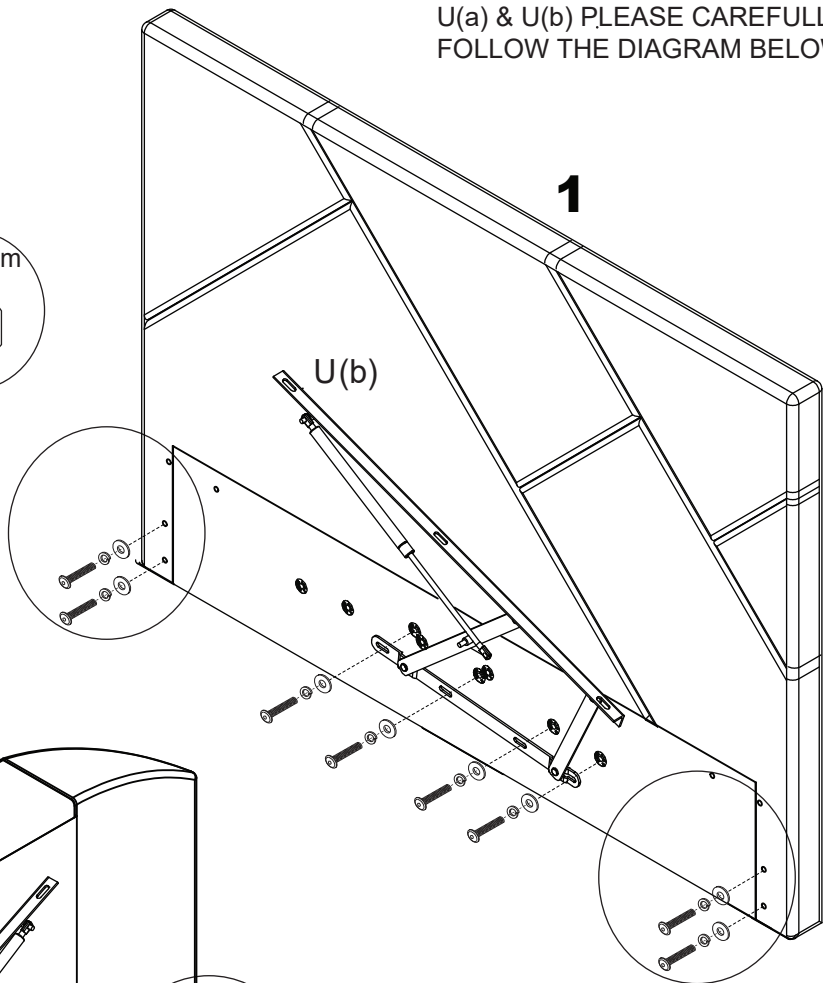
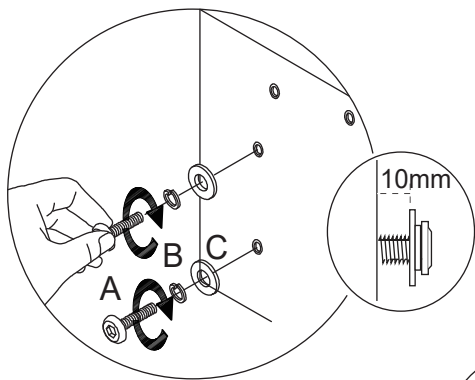
OPEN FROM LEFT



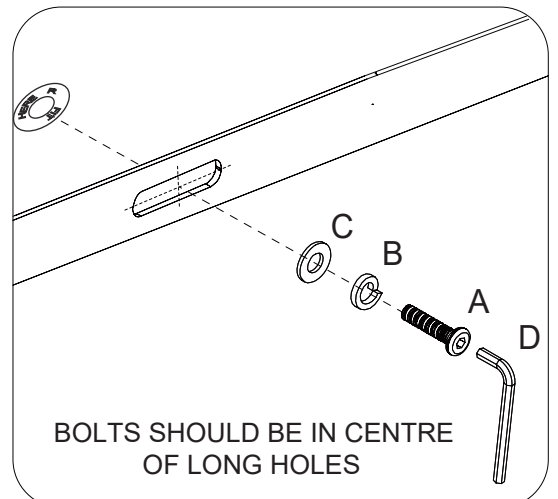
- A  x16
- B  x16
- C  x16
- D  x1
- U(a)  x1
- U(b)  x1

CHECK THIS DIAGRAM AND IF ACCESS IS NEEDED FROM THE LEFT SIDE OF BED, FIT BOTH LIFT MECHANISMS TO RIGHT SIDE OF THE HEADBOARD & FOOTBOARD.
BOLT INTO THE HOLES MARKED (R) WITH BLUE LABELS.

THE MECHANISMS ARE LABELED U(a) & U(b) PLEASE CAREFULLY FOLLOW THE DIAGRAM BELOW.

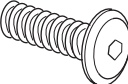





ALIGN WITH BLUE LABELS

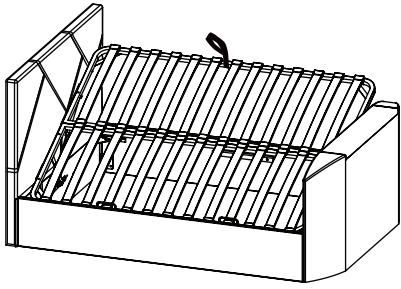


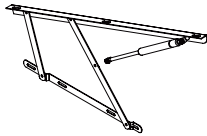

BOLTS SHOULD BE IN CENTRE OF LONG HOLES

Step 1b

- A  x16 B  x16 C  x16 D  x1

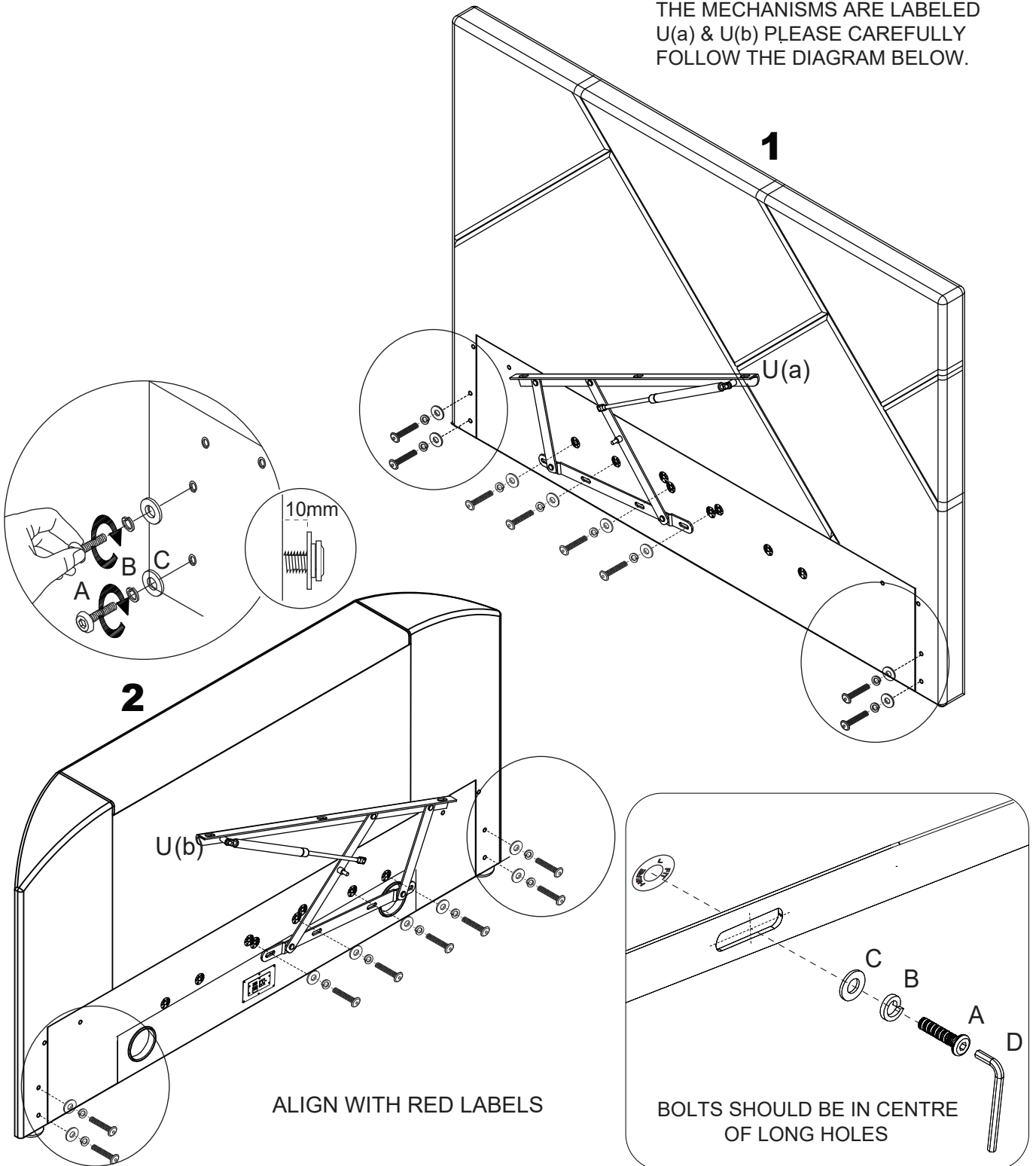
OPEN FROM RIGHT



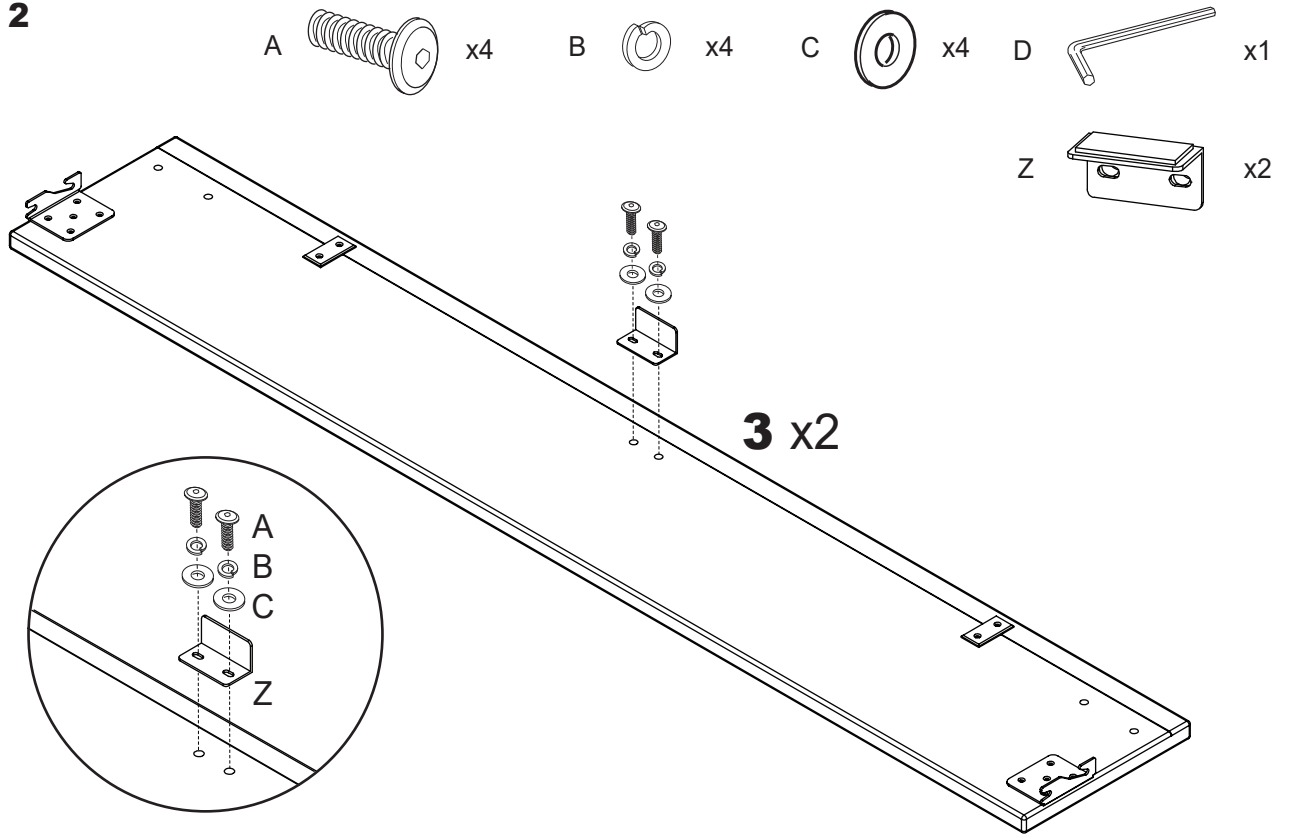
- U (a)  x1 U (b)  x1

CHECK THIS DIAGRAM AND IF ACCESS IS NEEDED FROM RIGHT SIDE OF BED, FIT BOTH LIFT MECHANISMS TO LEFT SIDE OF THE HEADBOARD & FOOTBOARD.
BOLT INTO THE HOLES MARKED (L) WITH RED LABELS.

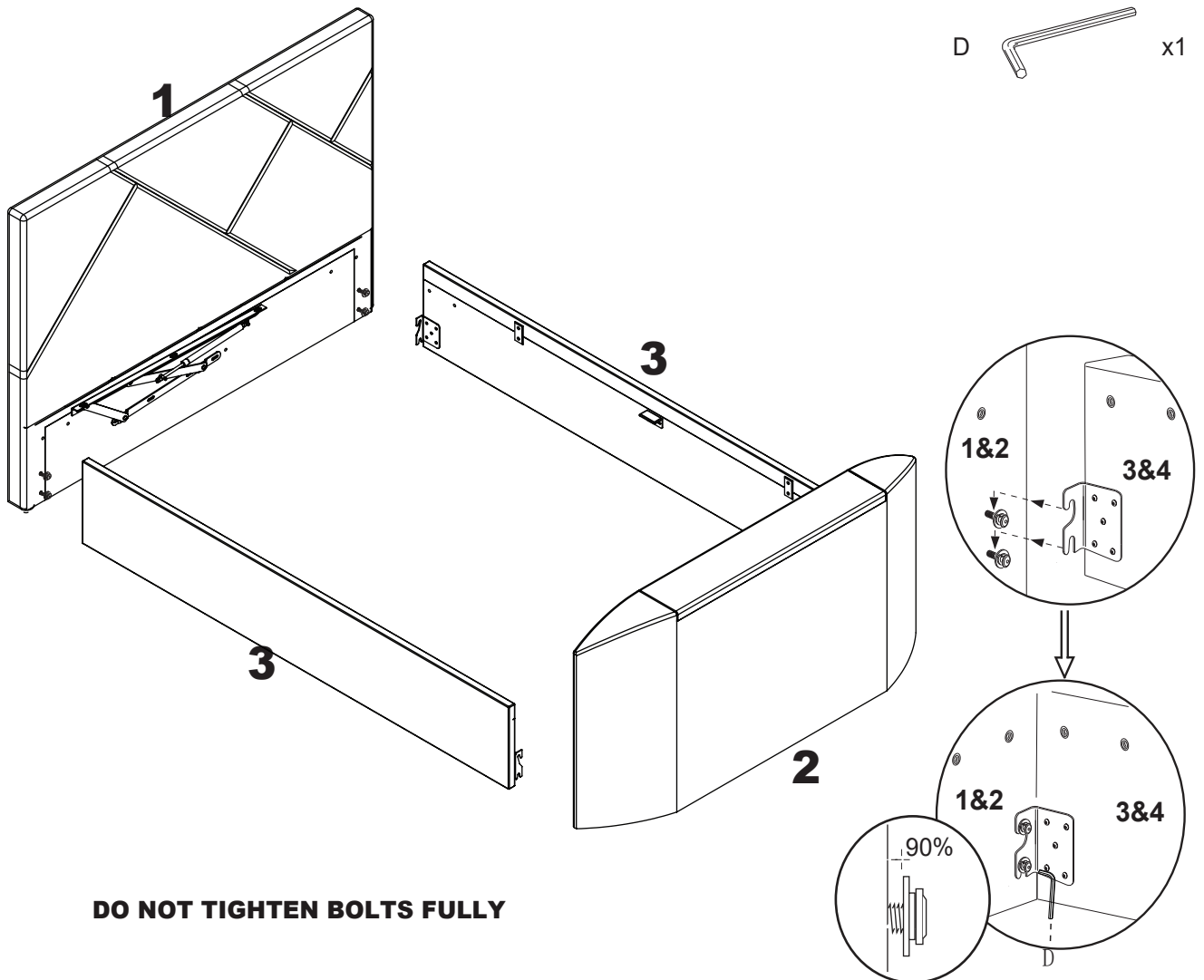
THE MECHANISMS ARE LABELED U(a) & U(b) PLEASE CAREFULLY FOLLOW THE DIAGRAM BELOW.



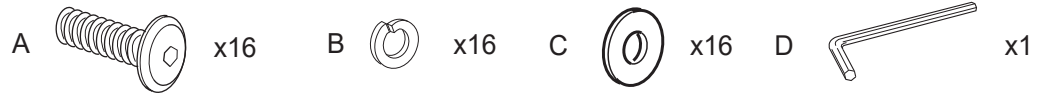
Step 2



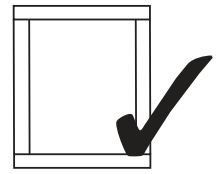
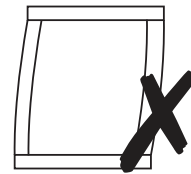
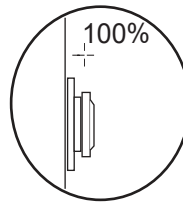
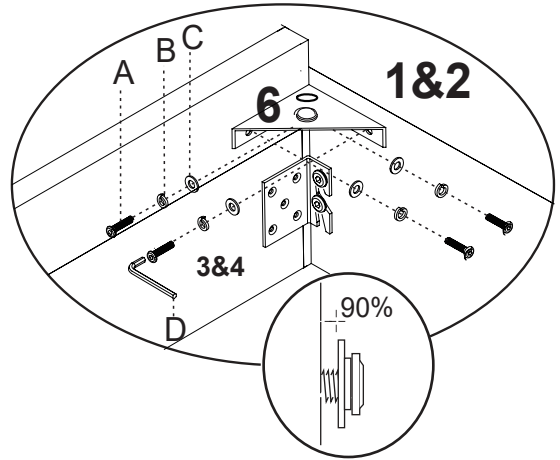
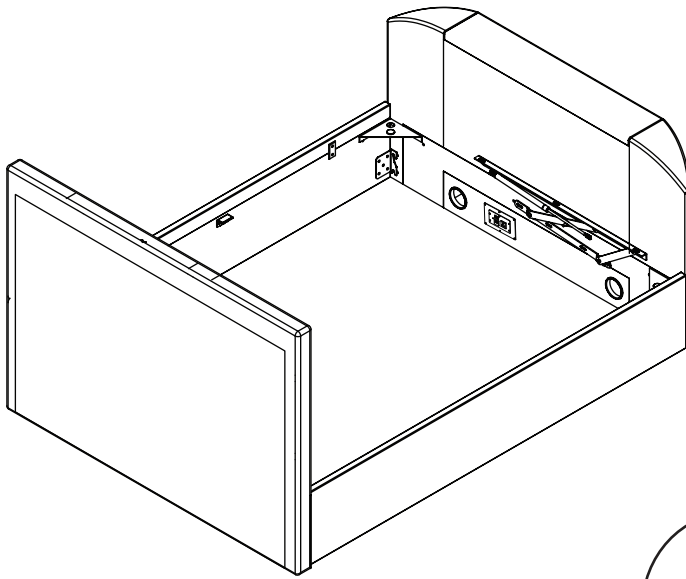
Step 3



Step 4



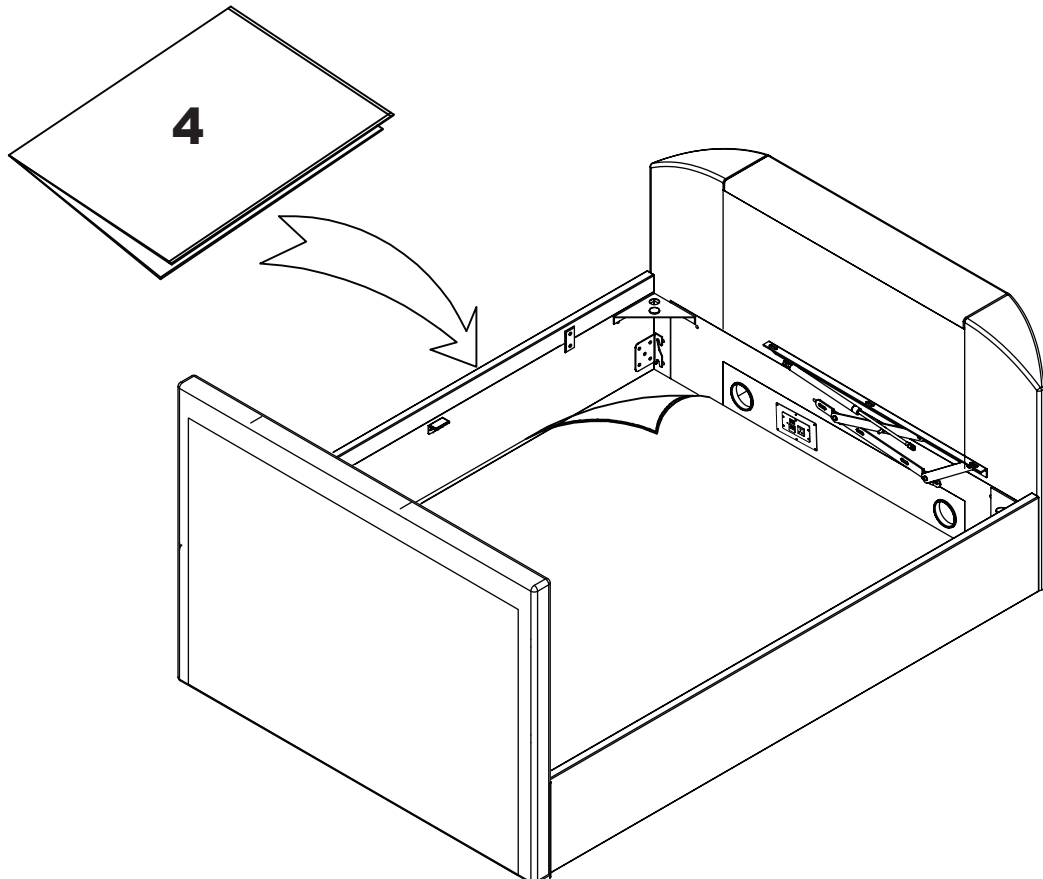
Fit x4 corner brackets (6)



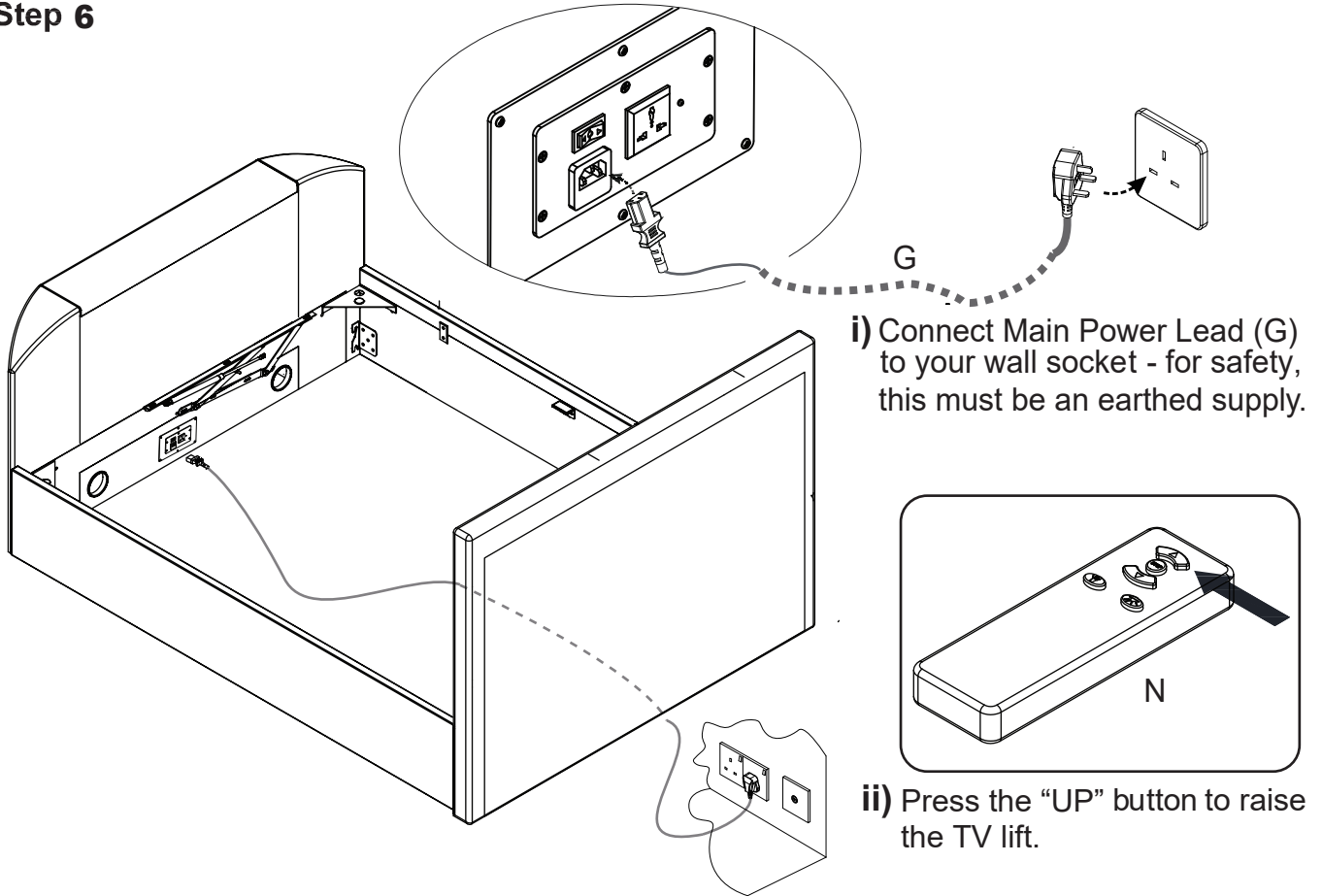
N.B. SQUARE UP THE BED AND THEN TIGHTEN ALL BOLTS 100%

Step 5

Fit the fabric base cover (4) evenly around the inside of the bed.



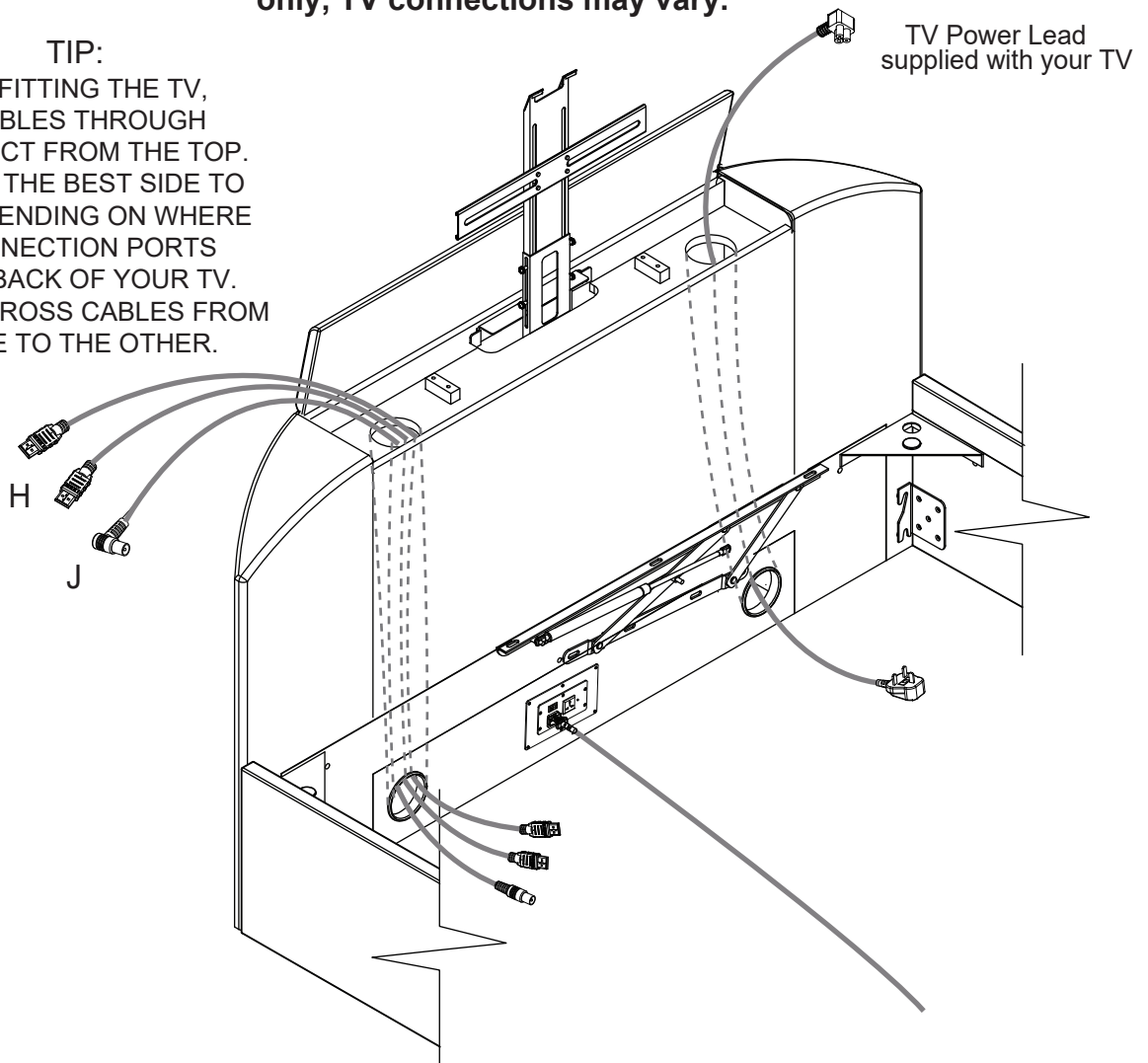
Step 6



Step 7

Note: For illustration purposes only, TV connections may vary.

TIP:
BEFORE FITTING THE TV,
PUSH CABLES THROUGH
EACH DUCT FROM THE TOP.
CHOOSE THE BEST SIDE TO
USE DEPENDING ON WHERE
THE CONNECTION PORTS
ARE ON BACK OF YOUR TV.
NEVER CROSS CABLES FROM
ONE SIDE TO THE OTHER.

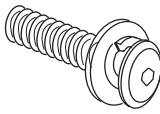
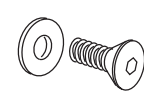
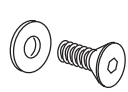
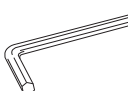
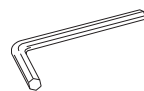


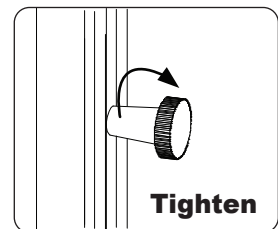
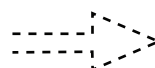
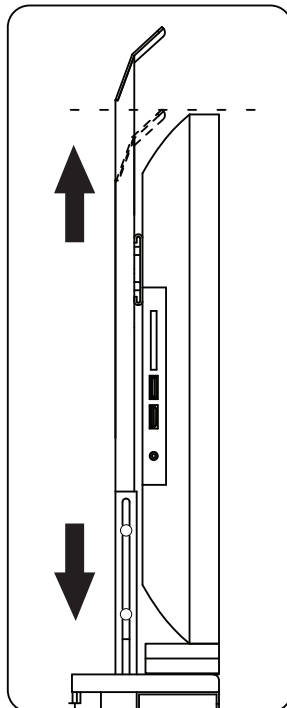
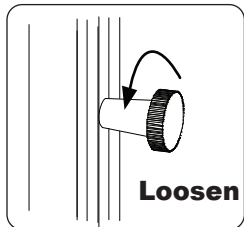
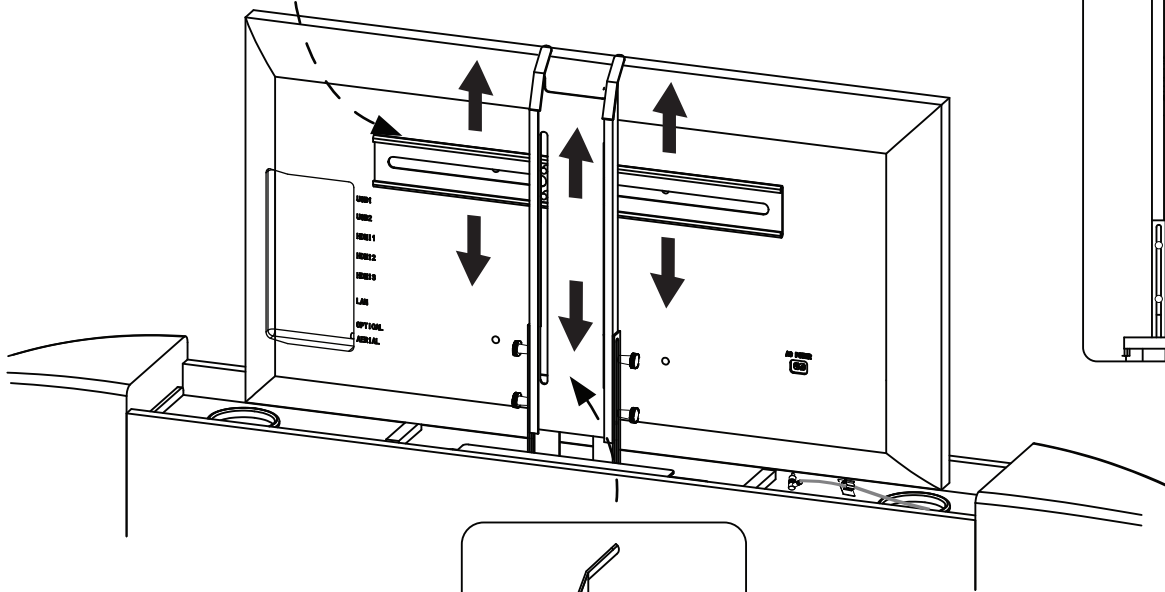
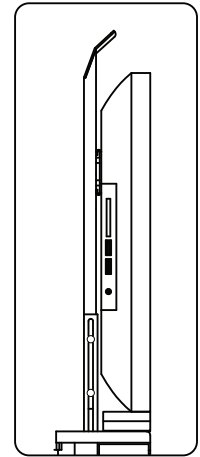
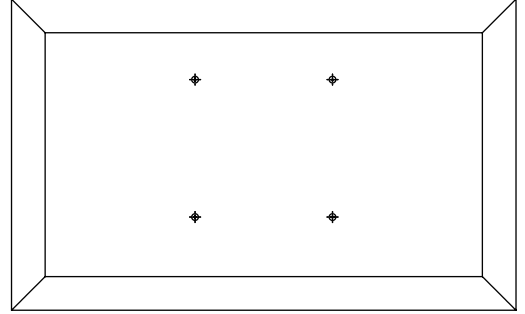
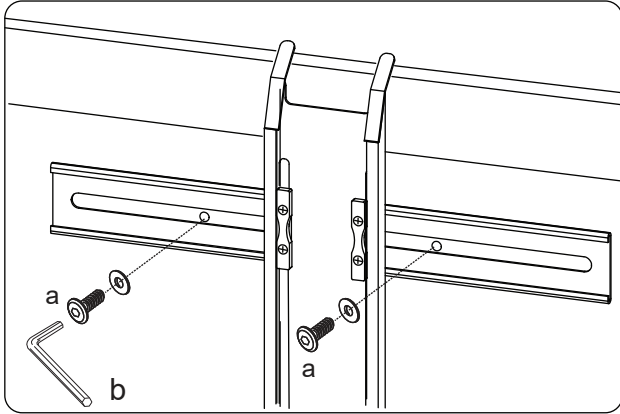
Step 8

TV Installation - Normal Vesa Fixing

IF SCREWS ARE SUPPLIED WITH TV, PLEASE USE THOSE IN PREFERENCE

Choose a suitable set of hardware

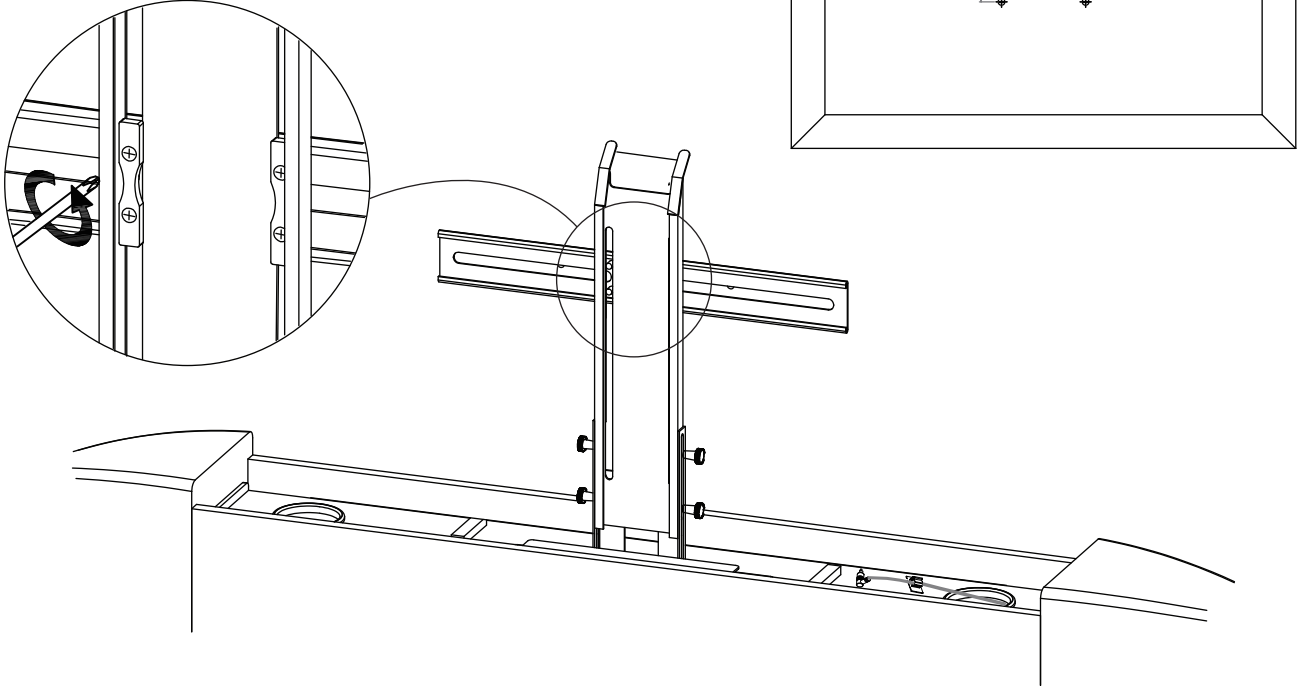
- a) Bolt sets M8 x 25mm  Counter-sunk screw sets (M6x12mm)  Counter-sunk screw sets (M4x12mm) 
- b) Allen key (2.5mm)  Allen key (4mm) 



Step 9a

TV Installation - 100x100 Vesa Fixing

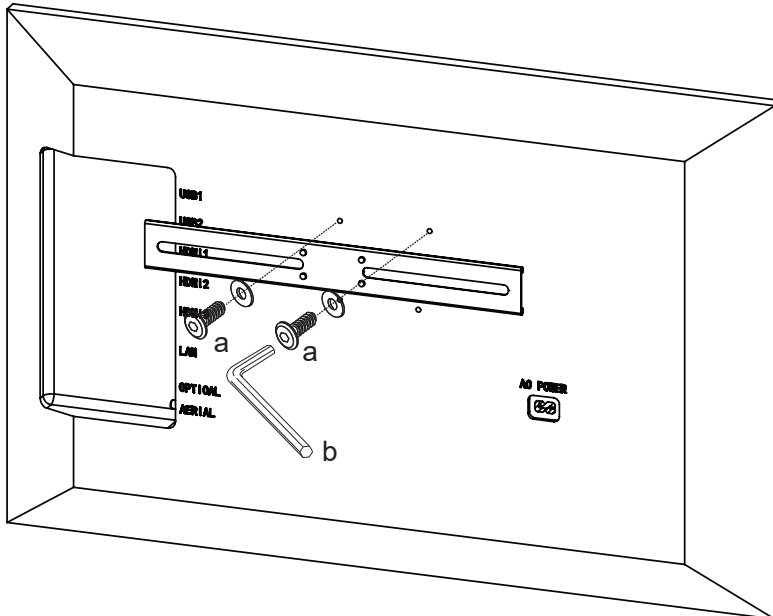
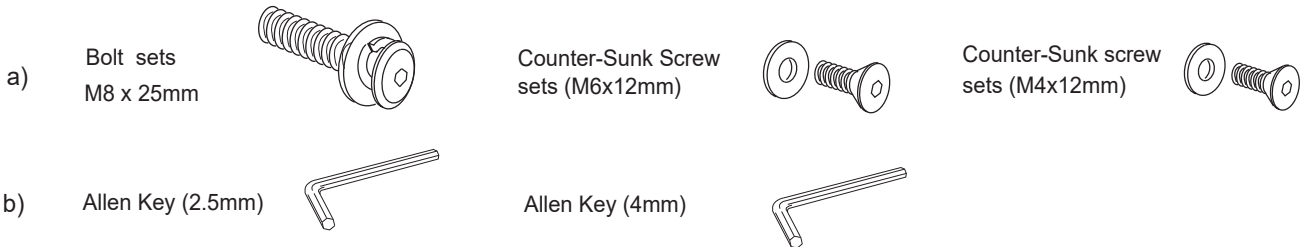
FIRSTLY: REMOVE THE TELEVISION CROSS-BRACKET FROM THE LIFTING COLUMN BY REMOVING THE 4 SCREWS FROM THE TWO CLAMPING PLATES



Step 9b

IF SCREWS ARE SUPPLIED WITH TV, PLEASE USE THOSE IN PREFERENCE

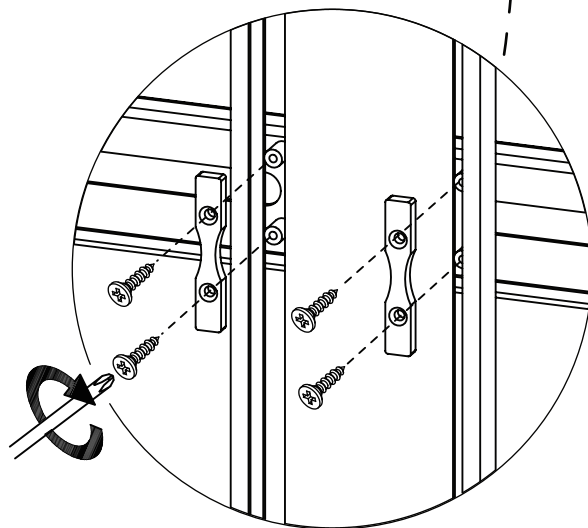
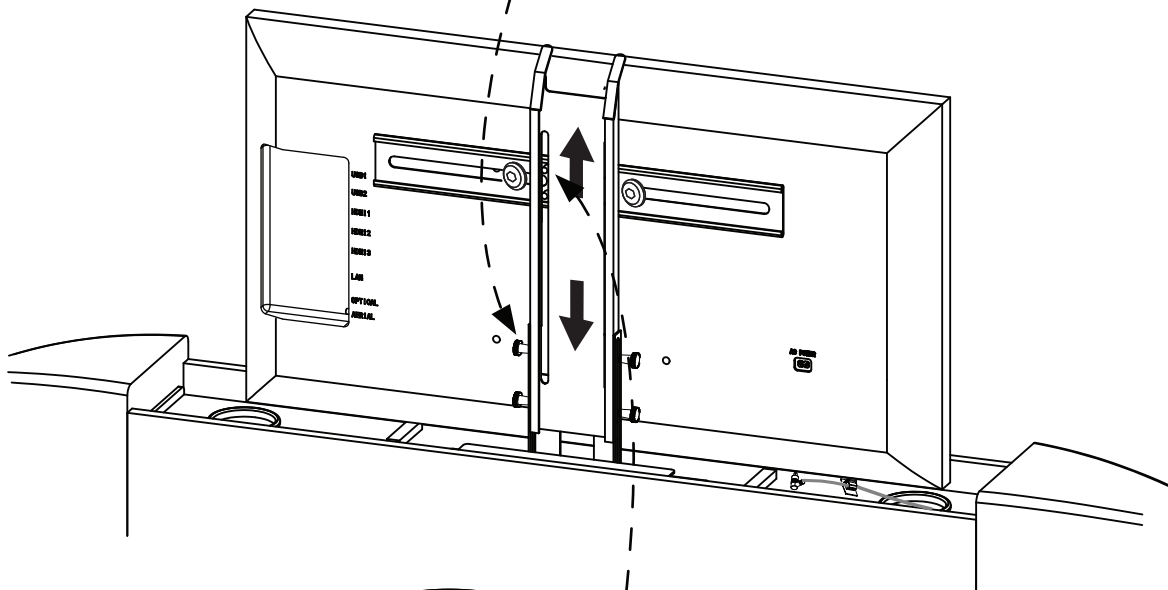
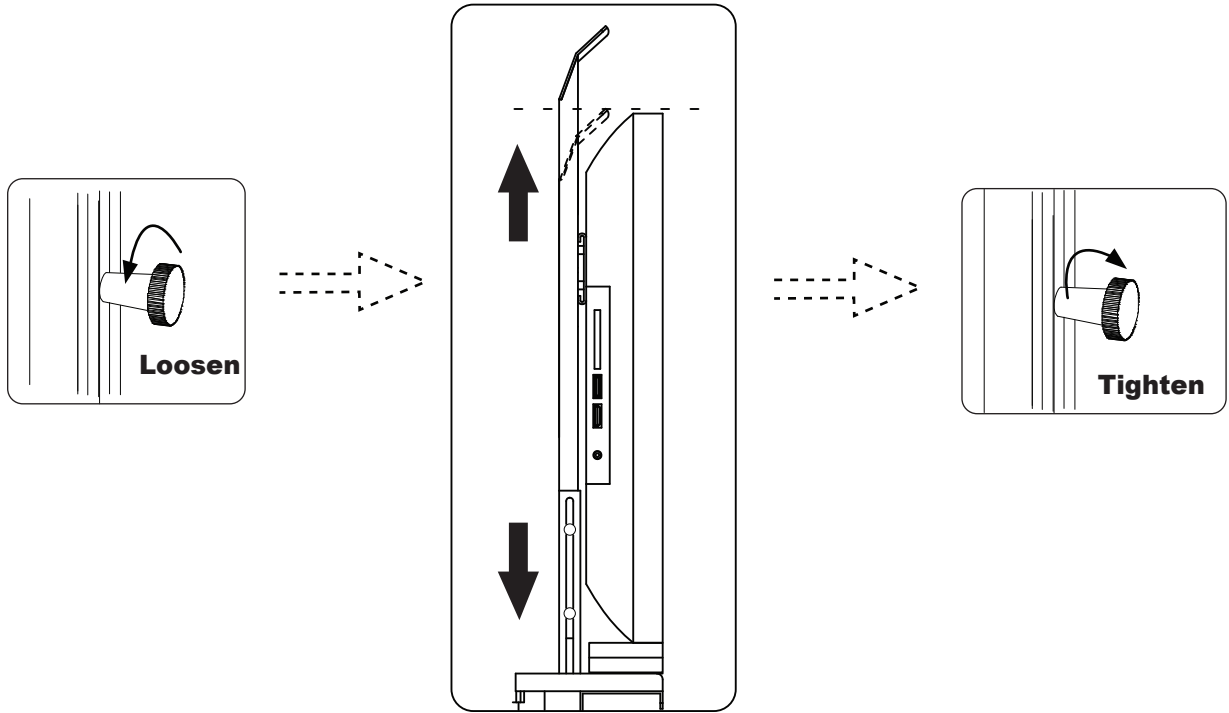
Choose a suitable set of hardware



SECONDLY: FIX THE BRACKET DIRECTLY TO BACK OF THE TV

Step 9c

THIRDLY: MAKE THE NECESSARY ADJUSTMENTS



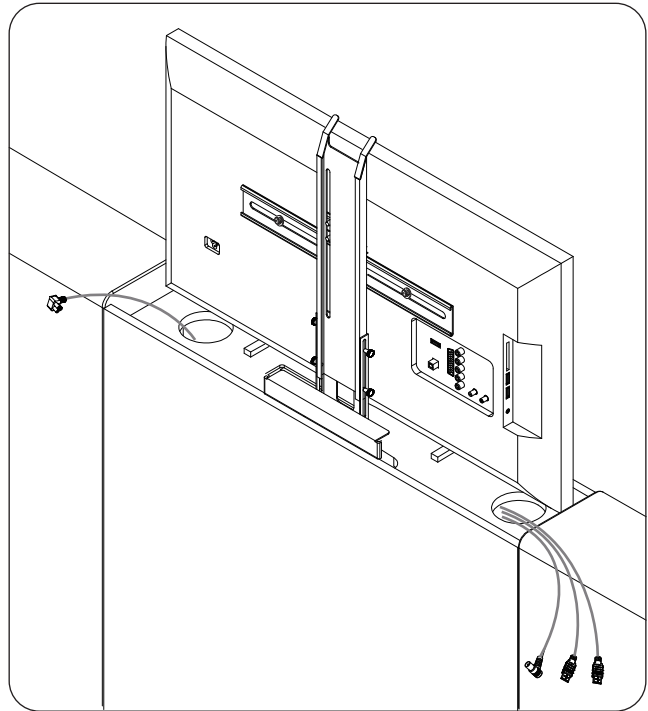
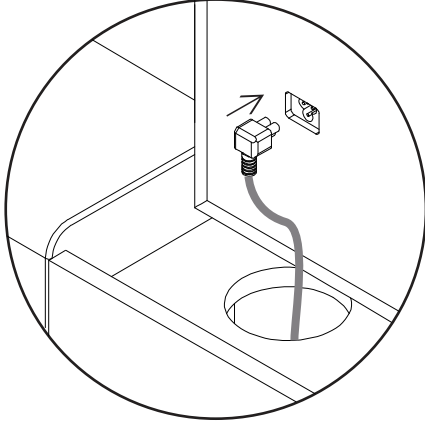
**FINALLY WHEN ALL ADJUSTED
SCREW THE TWO CLAMPING
PLATES BACK INTO POSITION**

Step 10

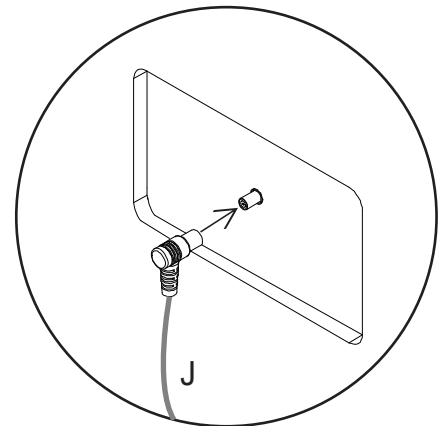
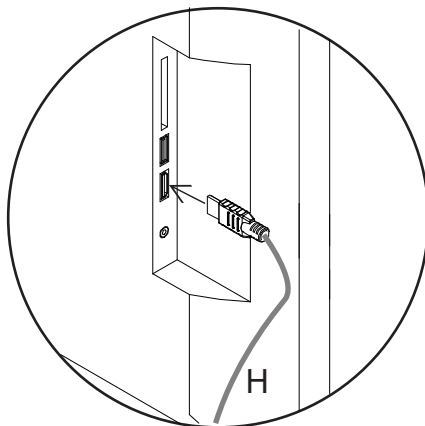
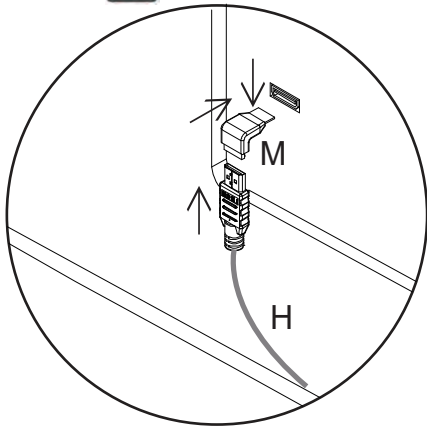
Note: For illustration purposes only, TV connections may vary.

Note: For illustration purposes only, TV connections may vary.

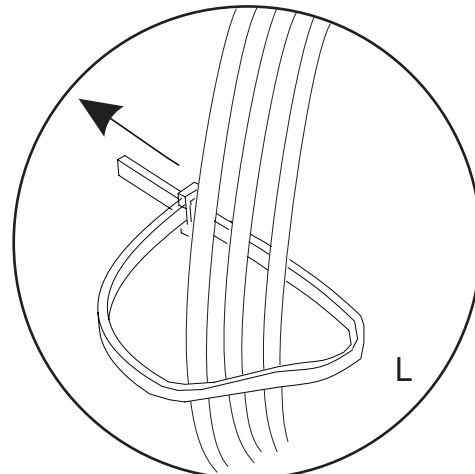
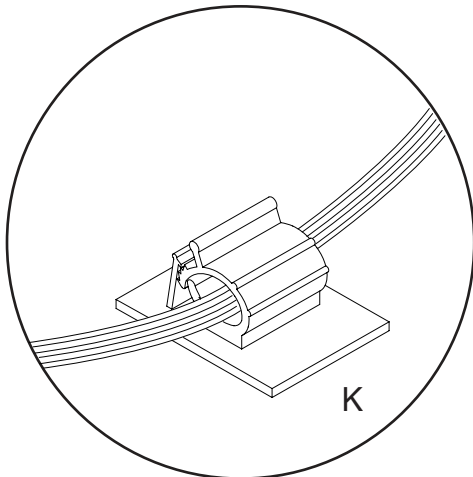
TV Power Lead
supplied with your TV



⚠ 90° ADAPTOR

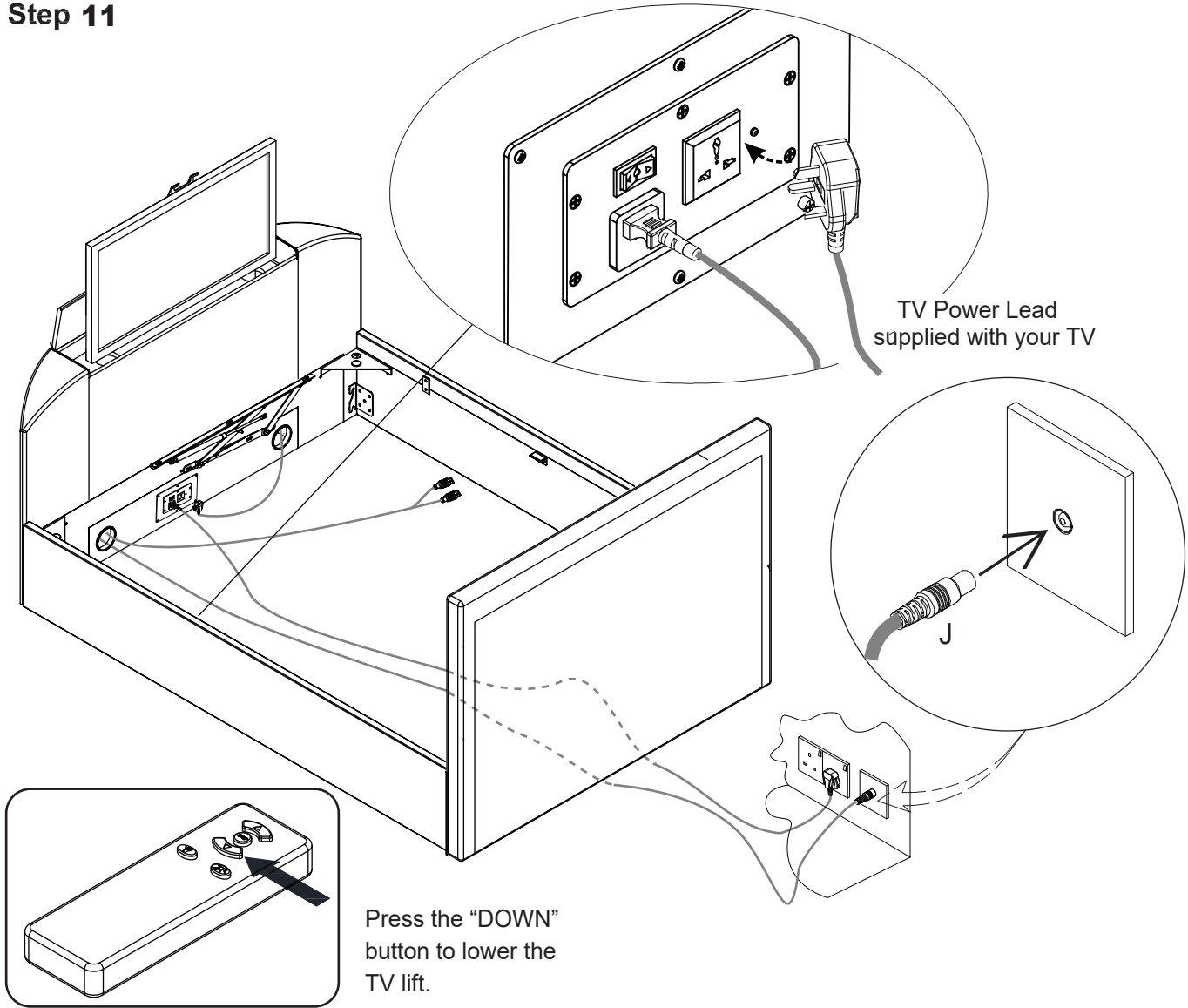


**PLUG IN - KEEP ALL CABLES TIGHT
- USE CLIPS & TIES PROVIDED.**



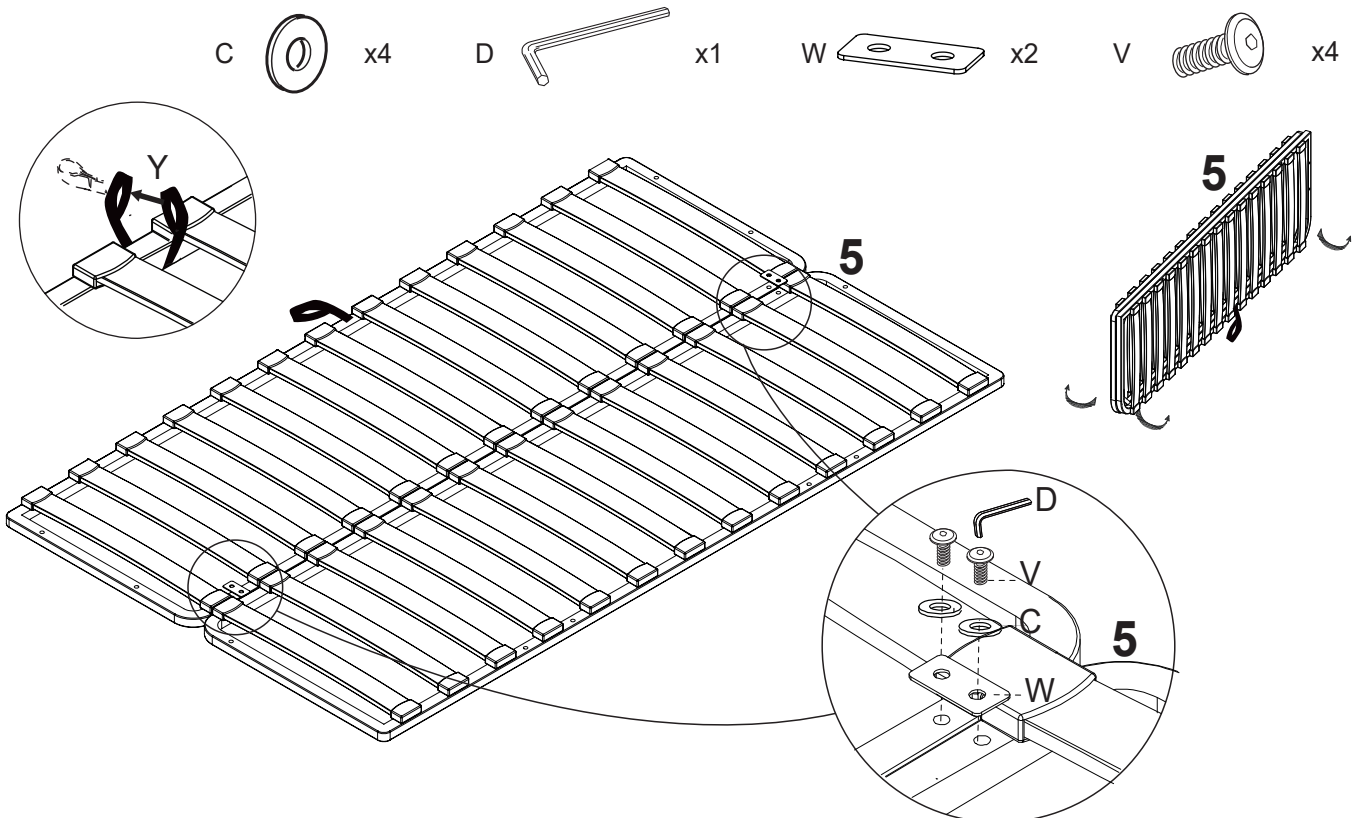
Keep wires tight - peel
off cover from cable clips
& adhere to back of TV.

Step 11



Step 12a

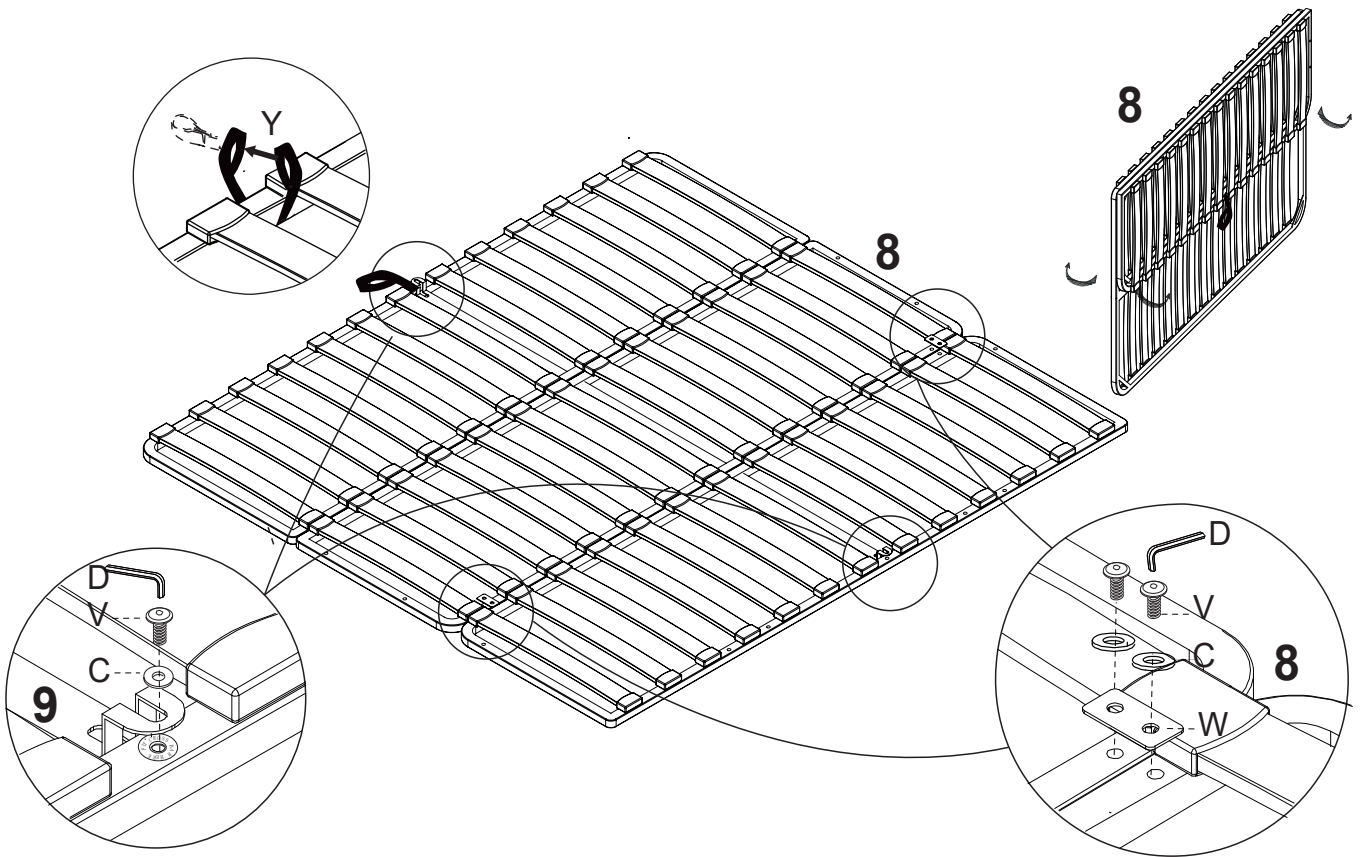
If you purchased Double or King size bed, first un-fold metal slat frame (5), fit metal connection plates (W) then follow Stage 13 onwards.



Step 12b

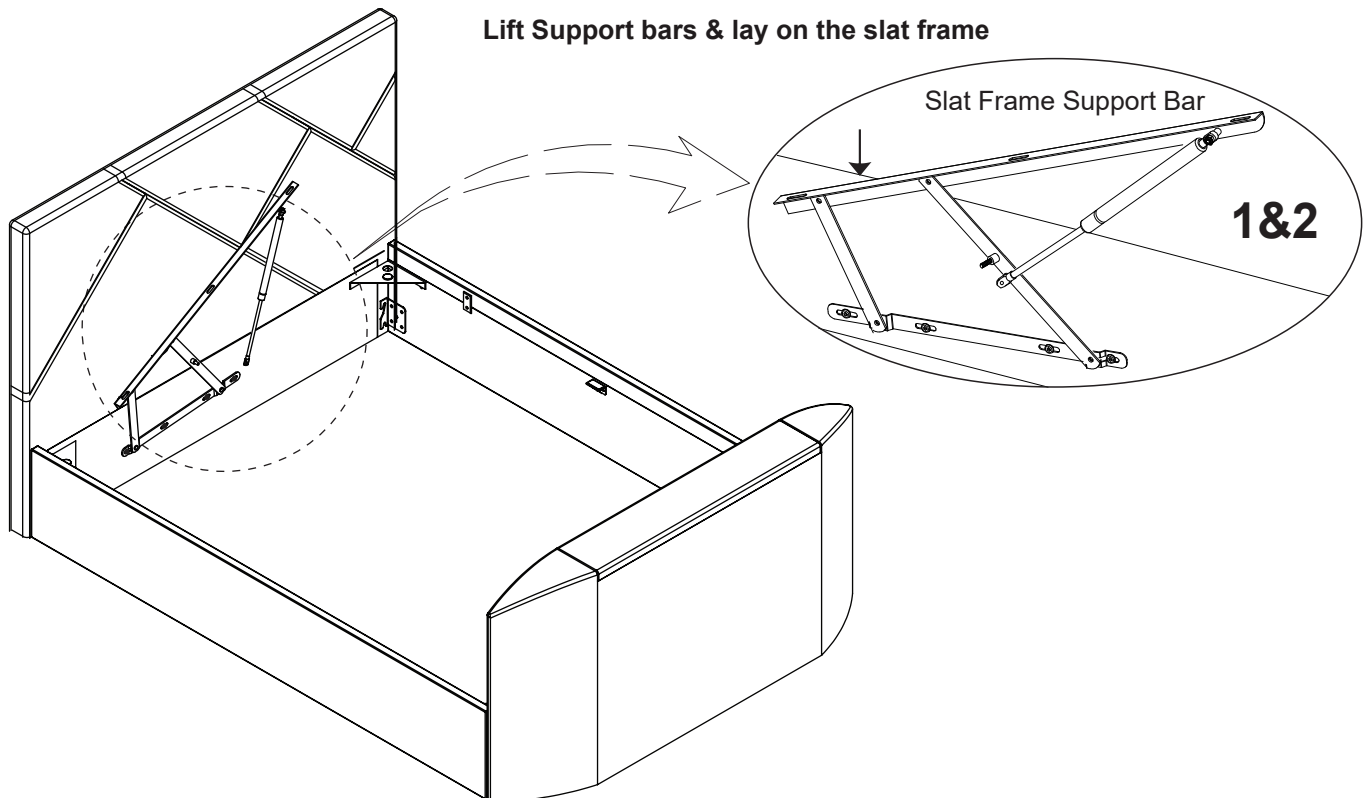
If you purchased Super King size bed, first un-fold metal slat frame (8), fit metal connection plates (W) and cross bar (9) then follow Stage 13 onwards.

C  x6 D  x1 W  x2 V  x6



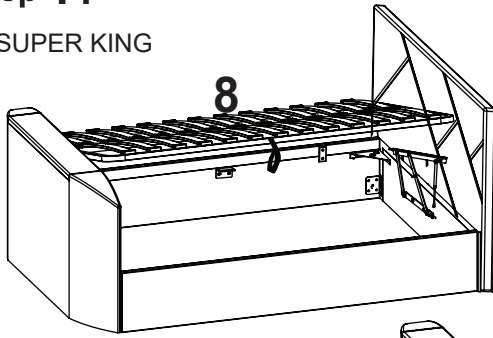
Step 13

Lift Support bars & lay on the slat frame

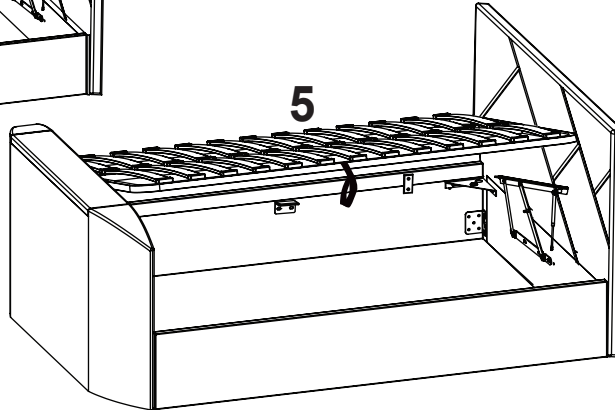





Step 14


SUPER KING



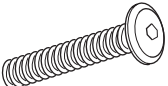
DOUBLE & KING

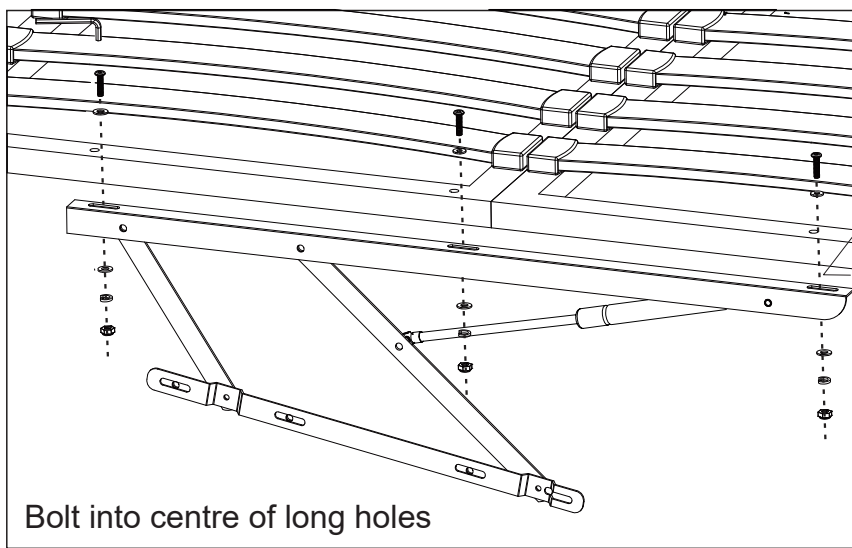


- B  x6
- C  x12
- D  x1

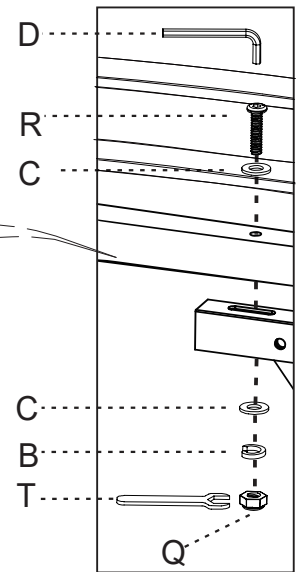
- Q  x6

- T  x1

- R  x6



Bolt into centre of long holes

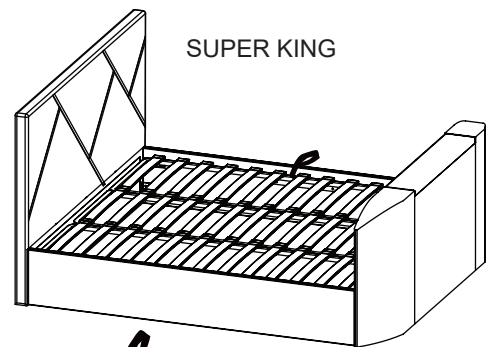


Step 15

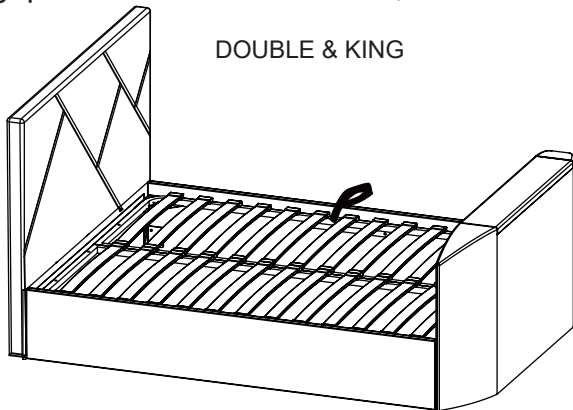
- D  x1
- T  x1

Carefully lay frame down. Make sure there is an even gap each side of about 8mm, as in the sketch.

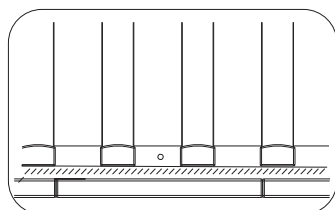
SUPER KING



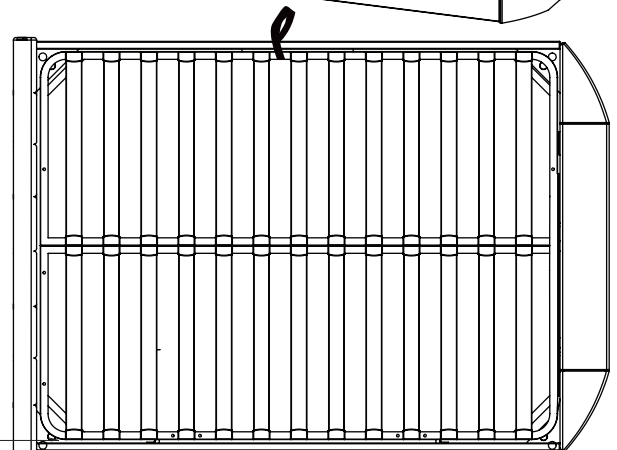
DOUBLE & KING



Hold frame securely then tighten all six bolt sets 100% using spanner (T) & Allen key (D)



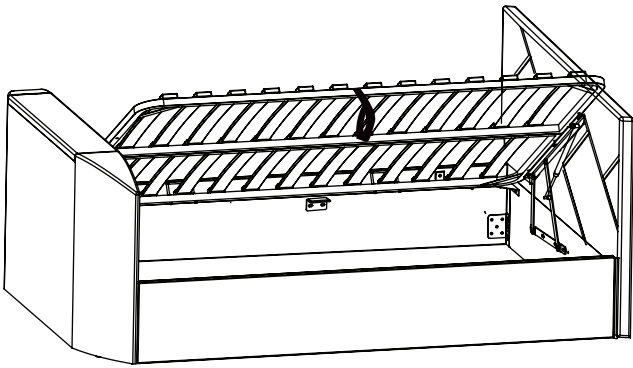
8mm



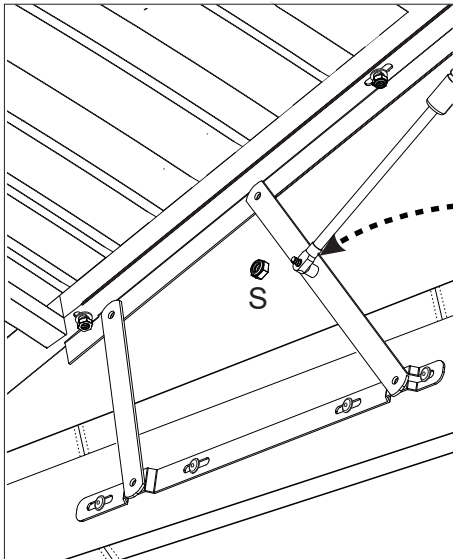
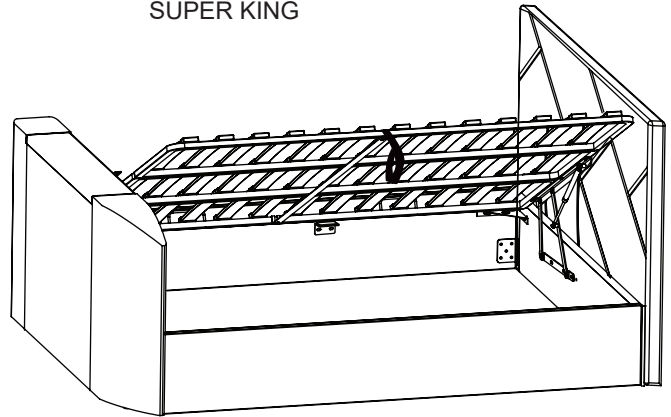
Step 16

S  x2 T  x1

DOUBLE & KING

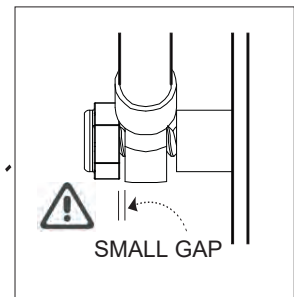
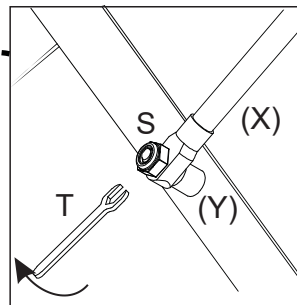


SUPER KING



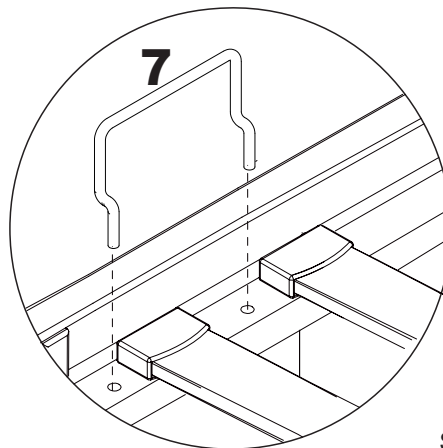
During this next step, the assistant should hold up the slat frame.

On side rails (3) slide gas-lift piston stems (X) onto the axles (Y) then fit the flange lock-nuts (S).

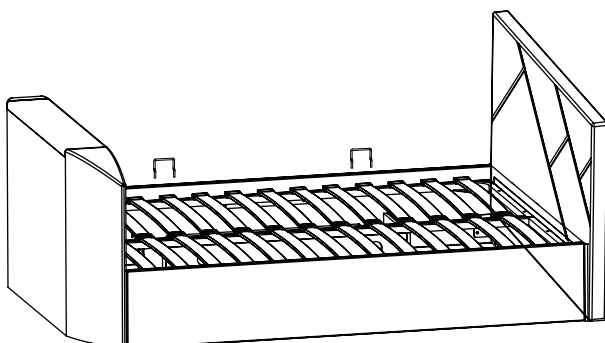


Tighten nuts with spanner (T) - but **DO NOT** over-tighten. A small gap is left so stems can move freely - this is important - see sketch above.

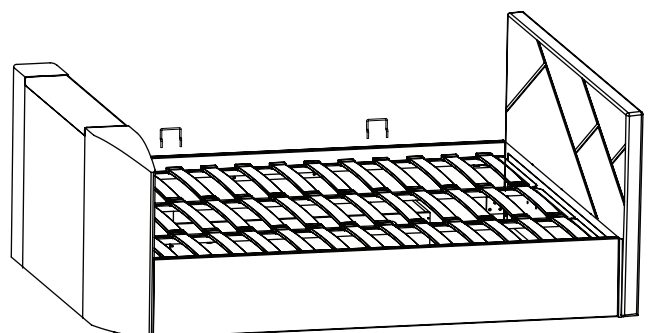
Step 17



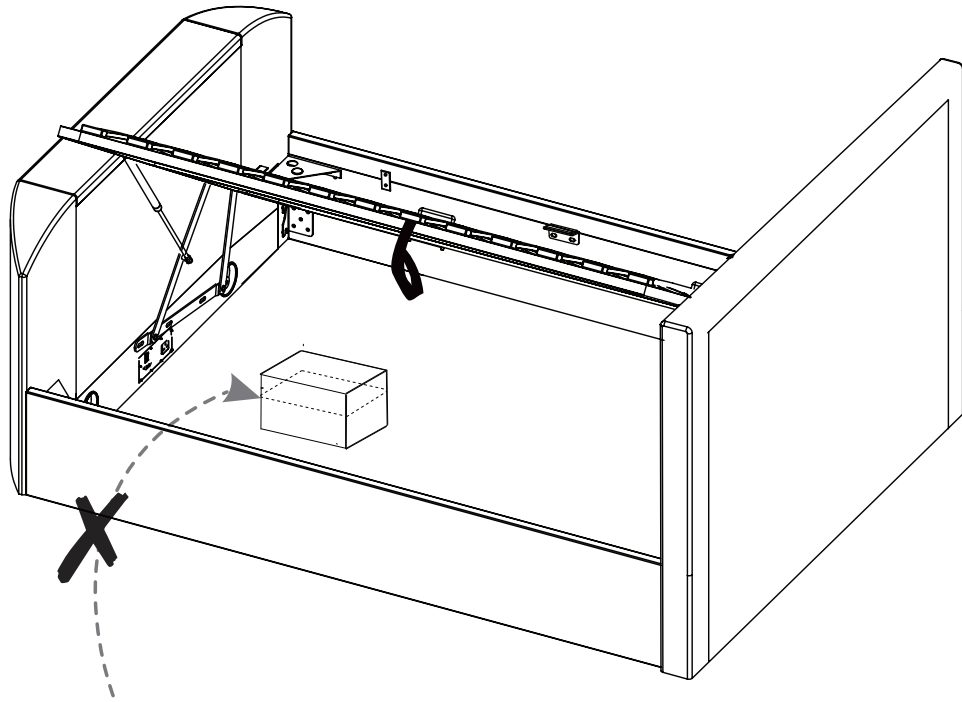
DOUBLE & KING



SUPER KING



Step 18



Note: Be very careful what you store under the bed - the top of an item, like a suitcase or a box, must not touch the slats or they shall be damaged. Maximum storage height is 270mm.



NOTE: Before moving the slat frame, mattress must be placed on the slats or the speed of upward movement is very high and may cause injury. Lift frame with the hand-strap then slowly push down ensuring the edges are aligned with the side panels. If not aligned, check bed is still square (see Step 4). Depending on the weight of the mattress, the speed of the lift will vary so be careful until you get used to the speed. Always use the strap to lift or lower the frame - keep fingers well away from the moving parts.

NOTE: With mattress in place, move the frame up & down five times to lubricate the pistons.

Technical Specifications

Maximum Size of TV (LHD mm)

980 x 570 x 80

Overall Dimensions (LWH mm)

Double: 2220 x 1455 x 1150

King: 2320 x 1605 x 1150

Super King: 2320 x 1905 x 1150

Internal Dimensions (LWH mm)

Double: 1920 x 1380 x 270

King: 2020 x 1530 x 270

Super King: 2020 x 1830 x 270

Distance between slats

Double 90mm

King & Super King 87mm

Ottoman Piston Rating

Double & King:

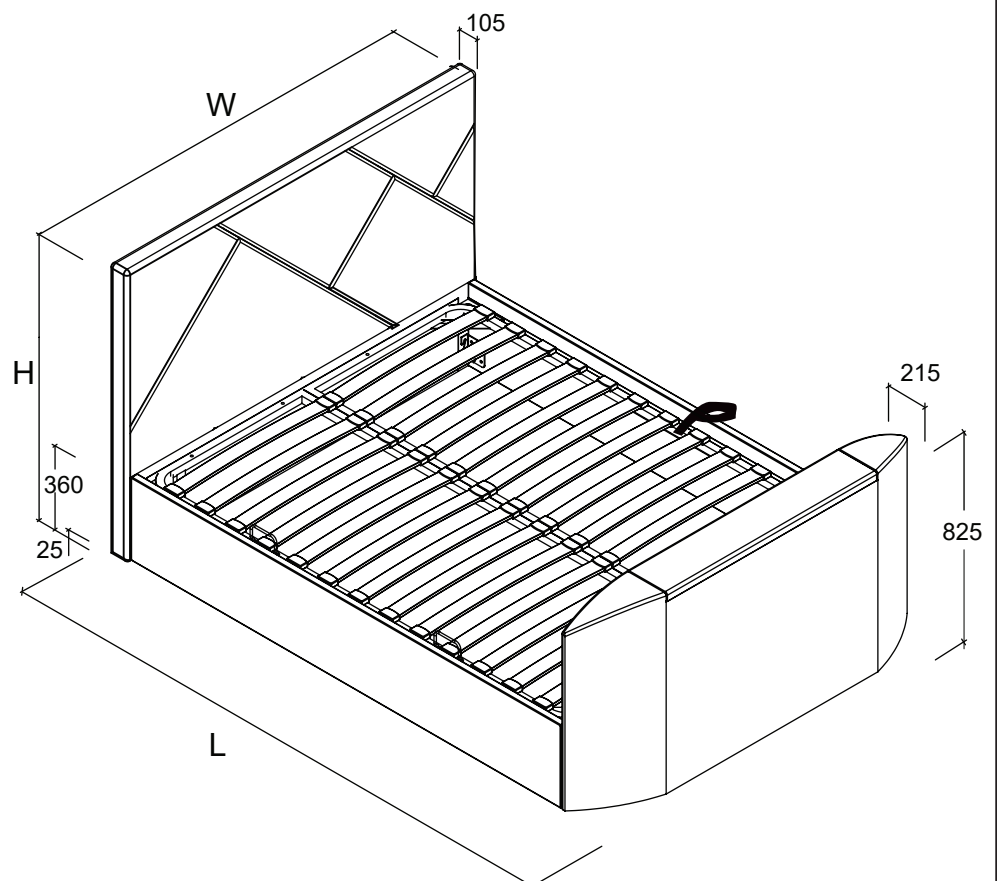
& Super King: 750N

Slat Dimensions (LWHmm)

Double: 670 x 53 x 9

King: 745 x 53 x 9

Super King: 605 x 53 x 9



Warning

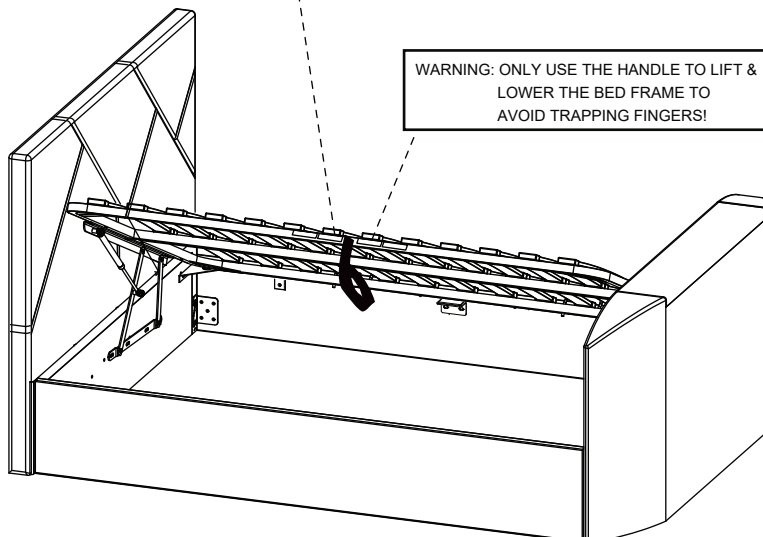
- You must ensure that the mattress is on the bed frame before operating the lift mechanism, failure to do so could result in injury.
- Keep hands clear of the mechanism when opening or closing the ottoman.
- Beware of entrapment – Never reach in through the mechanism to access the storage area.
- Always ensure that the ottoman is FULLY opened before accessing the storage area.
- Do not exceed the maximum weight as specified in the table below:

Bed	Bed Size	Min Weight (kg)	Max Weight (kg)
Sigma Ottoman TV Bed	Double	20	50
	King	20	50
	Super King	20	50



- Use caution when operating, always use the handle when lifting.
- Note: This bed uses a pressurised mechanism.
- To be operated by adults only
- Please ensure that children and pets are kept away from the bed when operating the lift mechanism.
- Keep children and pets away from the storage area.
- Do not overload the internal storage base.
- Do not stand inside the internal storage area of the bed.
- Before removing the mattress secure the frame to ensure it does not open unexpectedly.
- Do not attempt to lay on the mattress when the ottoman is in the raised position.

<p>SAFETY WARNING PLEASE DO NOT ALLOW CHILDREN OR PETS INSIDE THE STORAGE AREA.</p>	<p>SAFETY WARNING PLEASE BE CAREFUL WHEN LIFTING. ONLY LIFT WITH MATTRESS ON TOP. TO BE OPERATED BY ADULTS ONLY.</p>
--	---



WARNING: ONLY USE THE HANDLE TO LIFT & LOWER THE BED FRAME TO AVOID TRAPPING FINGERS!

TO AVOID ACCIDENTS
TO ACCESS THE STORAGE AREA THE OTTOMAN FRAME MUST BE FULLY OPENED AND THEN FULLY CLOSED AFTERWARDS



GENERAL INFORMATION

It is very important not to place any vessel containing liquids, e.g. drinks or vase of flowers, on top of the TV footboard which may accidentally spill and enter the TV compartment as this could cause damage to the TV and/or the TV lifting equipment.

If this happens, please contact your retailer.

Do not expose the bed to an undue level of heat - keep away from radiators.

Never allow anyone to sit on the foot end of the bed - keep children well away from moving parts.

To keep bed clean, we recommend that it be wiped over with a slightly dampened cloth or if fabric, use a light vacuum cleaner; disconnect power before cleaning.

Supplied with the bed is a remote control to operate the TV Lift and when you fit your own TV there is a remote control to operate it as well. Both these remotes use batteries - there are no batteries in the rest of the equipment.

There are strict controls for disposal of batteries - your local council can advise on how to safely dispose of them.

Never burn batteries on an open fire as they could explode.

IMPORTANT POWER INFORMATION

It is essential that the Mains Power Lead is connected to an earthed socket be it a wall socket or extension lead - otherwise there is risk of damage or even electric-shock.

The socket providing the power must be accessible at all times in case you need to switch off the power quickly.

During an electrical or lightning storm - disconnect the power completely as a precaution.

Always un-plug the power when going on holiday or when the bed is not used for an extended period.

If you have young children in the home always disconnect the power at the wall socket for extra safety.

Power outlets, extension leads or adapters must not be overloaded beyond their limit - this can result in fire or electric shock. Leads supplied with this bed, or other approved mains powered extension leads used to power the equipment, must not be placed where they can be walked on - this is dangerous and could lead to accidents.

Do not interfere with or modify any cables already fitted and do not add any extra media leads unless they are routed through the ducts. All leads must be tightly connected to back of TV, never hanging loose.

Never touch moving parts or any part of the equipment - if something needs to be checked, disconnect the power first.

Do not insert anything into the footboard as this could seriously damage the TV and/or the TV lifting equipment and could, if done carelessly, cause serious damage or injury.

If the equipment doesn't operate normally or if there is any unusual noises, disconnect the power.

IMPORTANT: Care should be taken when connecting electrical items. If you are in any doubt about the connections please consult an approved electrician. If you still have a problem please contact your retailer for advice.

TELEVISION INSTALLATION

Before fixing the slats frame to the bed, please follow the television installation instructions below.

Raise the TV Lift by pressing the TOP button of the remote control.

Connect the TV using the TV Installation Kit packed in the main hardware pack.

Connect the TV to the mounting bracket plate.

If necessary mounting plate can easily be adjusted to move TV up or down.

Connect the TV Power Lead (supplied with TV) by passing plug down one of the ducts, plugging it into the adaptor then into the TV power socket which is on the face of footboard. This socket is only to be used for the TV.

Connect the Aerial & HDMI cable by passing down the appropriate duct.

If required, connect your own media cables through either of the ducts - connect your media equipment when ready. Please use the cable clips & cable ties to make certain there are no loose wires to snag or get trapped.

The TV can now be operated following the TV Operation Guide supplied with your TV.

When finished viewing, lower the TV back into the footboard by pressing DOWN button of the remote control.

The TV will retract into the footboard automatically - power shall be turned off when TV reaches the bottom.

When the UP button is pressed - the TV Lifting Column rises and power to the TV turns back on automatically.

TROUBLE SHOOTING

If your equipment does not operate please check all the power connections, to the wall and to the socket in the footboard. Make sure TV is switched on. (Note: TV will only work when it is in the up position).

If the television or TV Lift still fails to operate contact your retailer.

IMPORTANT: Care should be taken when connecting electrical items. If in any doubt please consult an approved electrician to advise you on the electrical supply to achieve safe connections, to the electrical equipment of the TV Bed.

Product Information

- Upholstered Bed Using Polyester Fabric. Conforms to BS EN 1725 & BS 5852.
- TV Lift system has a maximum load capacity of 14 Kg
- Compatible with slimline LED television with a screen size of 42".
- Maximum TV dimensions: W98 x H57 x D8cm

Care Instructions

- Avoid exposing the furniture to excessive heat or direct sunlight as this can cause cracking and deterioration of the colour.
- Periodically check & re-tighten any fastener.
- Periodically wipe with a soft damp cloth or if fabric, dust lightly using a small vacuum cleaner..
- Do not use silicone based furniture polish.
- Any spills should be removed immediately with a soft damp cloth.
- TAKE CARE WHEN MOVING THE FURNITURE AND NEVER DRAG THE PIECES ACROSS THE FLOOR, AS THIS WILL CAUSE DAMAGE TO THE JOINTS.



We cannot be held responsible for any damage caused to the TV, TV cabling or the TV Bed itself due to incompatibility of any additional equipment installed by the end-user or due to loose and poorly installed cables. Please read this Assembly Instruction carefully and follow the recommendations.



TV LIFT CONFORMS TO THE STANDARD REQUIRED FOR UK (EMC, LVD & ROHS)