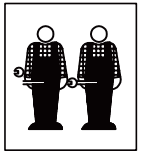
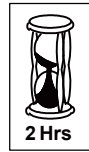




KINSLEY OTTOMAN TV BED

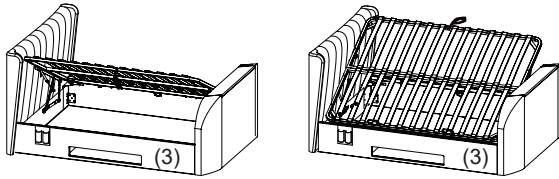
Assembly Instructions

please keep these instructions for future reference.

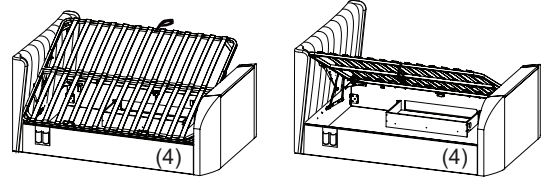


Double & King

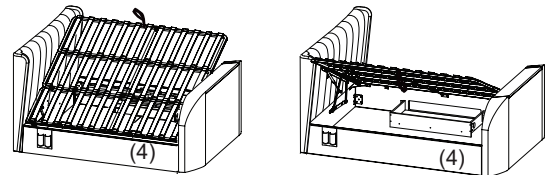
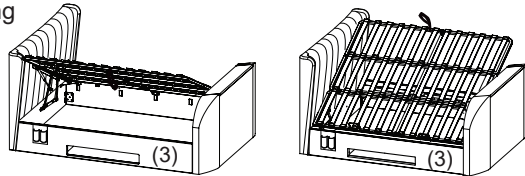
If the media tray is needed on the left side of the bed, fit side rail (3) to left and (4) to right.



If the media tray is needed on the right side of the bed, fit side rail (4) to left and (3) to right.



Super-King



Important Information

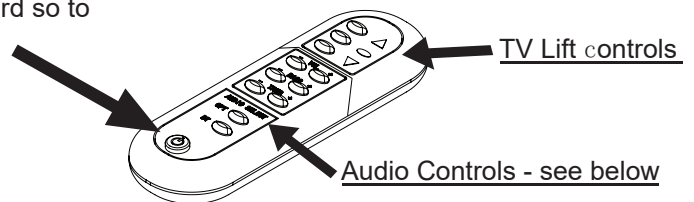
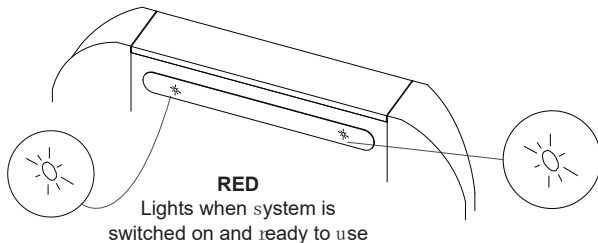
- We suggest you spend a short time reading through this leaflet and then follow the simple step-by-step instructions.
- Carefully check that you have all the parts before beginning assembly.
- Keep fittings out of children's reach and keep children well away from construction area.

SOUND SYSTEM CONTROL

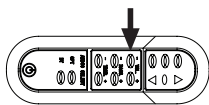


An instructional video of the operation of the Ottoman Lift Up System is available via YouTube using the following address: https://youtu.be/hyq4zm7h_yU

To turn system on, press this On/Off button for 3 seconds. At end of watching the television, lower back down to its resting position and the TV will switch off automatically. Music can still be heard so to switch system off, press On/Off again for 3 seconds.



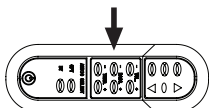
BLUE
Lights when Bluetooth is selected.



ADJUST VOLUME

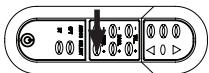
PRESS BUTTON ON REMOTE CONTROL TO SELECT BLUETOOTH or OPTICAL MODE.

- BT - RAISE VOLUME ON YOUR DEVICE TO HIGH LEVEL THEN ADJUST BY SYSTEM RC.
- OPTICAL - FOR BEST RESULTS, PLEASE MUTE TV SPEAKERS. OCCASIONALLY, DEPENDING ON MAKE OF TV, SETTINGS NEED TO BE ADJUSTED FOR EXTERNAL SPEAKERS, PLEASE CHECK THE TV GUIDE.



ADJUST BASS - THIS BUTTON LIMITS LOWER FREQUENCIES OF THE SOUND

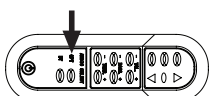
ADJUST BASS ATTENUATION TO SUIT THE SOUND EFFECT YOU LIKE



ADJUST TREBLE - THIS BUTTON LIMITS HIGH FREQUENCIES OF THE SOUND

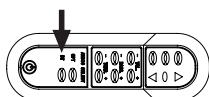
ADJUST TREBLE ATTENUATION TO SUIT THE SOUND EFFECT YOU LIKE.

NOTE: IF YOU REDUCE LEVEL OF THE HIGHER FREQUENCIES, THE VOLUME OF THE SOUND SEEMS TO BE REDUCED, THIS IS NORMAL.



SELECT OPT (OPTICAL) SOUND OUTPUT TO TV

WHEN YOU HAVE FINISHED WATCHING TV, PRESS RC DOWN BUTTON TO SEND TV BACK DOWN TO REST POSITION, TV WILL AUTOMATICALLY SWITCH OFF. PRESS ON/OFF FOR THREE SECONDS TO SWITCH WHOLE SYSTEM OFF.



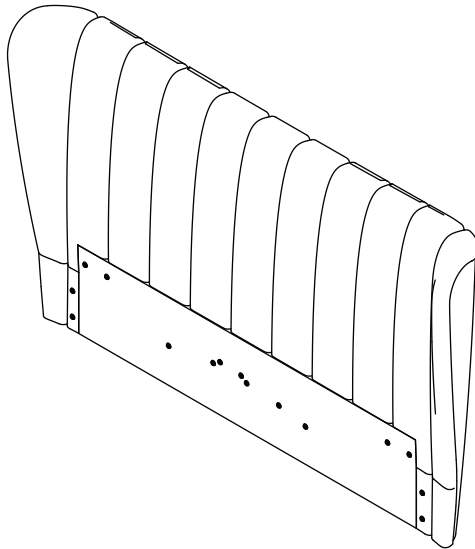
SELECT BT (BLUETOOTH) - TO PAIR A DEVICE, LOOK FOR ' MY BT'

SELECT BLUETOOTH AND SYSTEM WILL ANNOUNCE "PAIRING" OR IF ALREADY CONNECTED PREVIOUSLY, "PAIRED". NOTE THAT TV PICTURE IS NOT SWITCHED OFF AUTOMATICALLY WHEN BLUETOOTH IS SELECTED. TO REMOVE PICTURE JUST TURN OFF THE TV OR PRESS THE DOWNBUTTON TO LOWER TV TO THE REST POSITION WHERE POWER TO TV SHALL BE DISCONNECTED AUTOMATICALLY - MUSIC WILL STILL BE PLAYING. PRESS ON/OFF FOR THREE SECONDS TO SWITCH SYSTEM OFF.

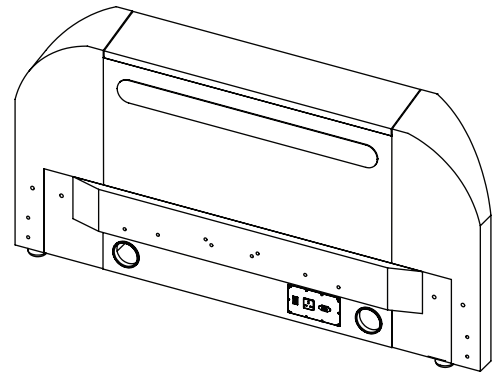
CARTON 1 - HEADBOARD & WINGS

CARTON 2 - FOOTBOARD

1) Headboard



2) Footboard

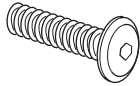


The following items are in an accessory box, inside the TV Compartment within the Footboard

Hardware Pack for Bed Assembly

Hardware Pack for Media Tray Assembly

A) x24



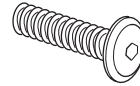
Bolts (M8x30mm) for fitting side rails (3&4) to headboard & footboard (1&2)

B) x24



Spring washer (for M8 bolts)

A) x4



Bolts (M8x30mm) for fitting media tray to side rail (3)

C) x4



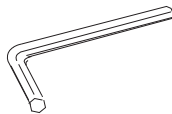
Flat washer (for M8 bolts)

C) x24



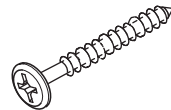
Flat Washer for M8 bolts

D) x1



Allen key for M8 bolt

E) x11



Screws (5x50mm) for assembling media tray

F) x11

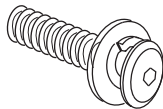


Plastic barrel nuts for assembling media tray

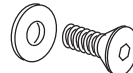
Hardware Pack for TV Installation
Choose a suitable set of hardware

a)

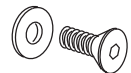
Bolt sets
M8 x 25mm



Counter-Sunk Screw sets (M6x12mm)

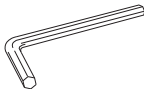


Counter-Sunk screw sets (M4x12mm)

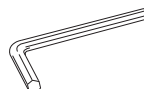


b)

Allen Key (2.5mm)

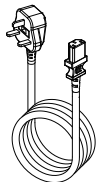


Allen Key (4mm)



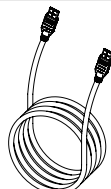
Cables & Accessories for TV Installation

G) x1



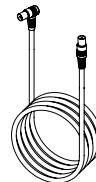
Mains power lead - 3 mt

H) x2



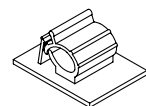
HDMI leads - 2.8 mt

J) x1



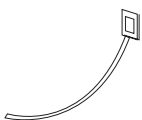
Aerial lead - 4 mt

K) x3



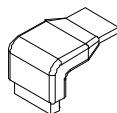
Cable clips

L) x3



Cable ties

M) x1



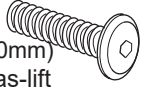



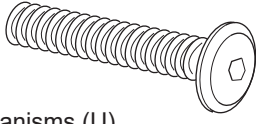

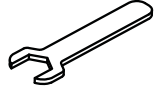
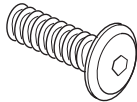
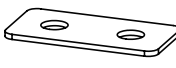

HDMI 90° adaptor

N) x1

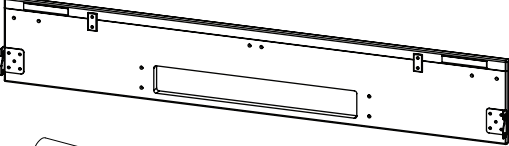
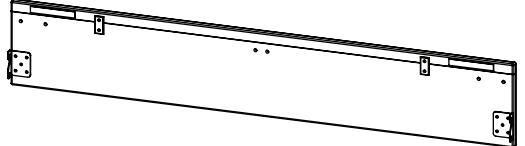
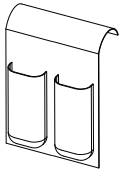



Remote control
TV Lift/Audio

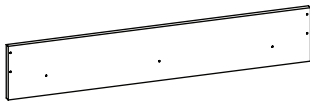
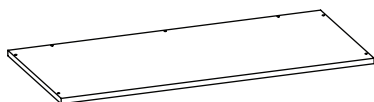
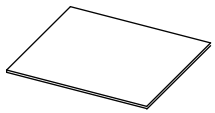
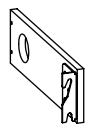
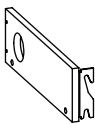
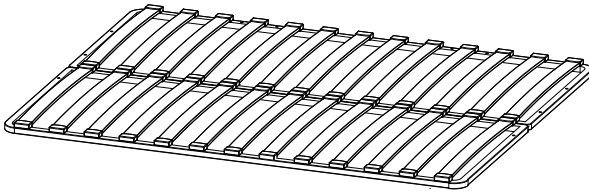
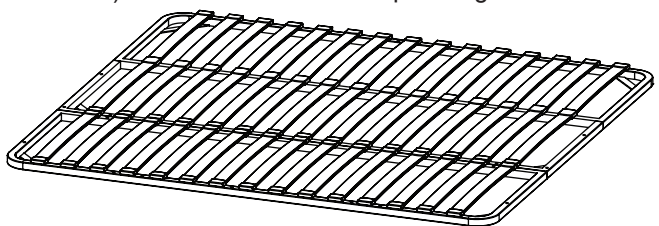


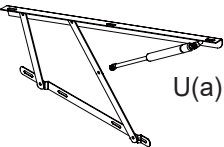
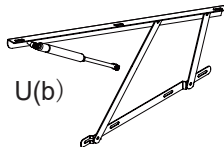

HARDWARE PACK FOR ASSEMBLY OF THE OTTOMAN SLAT FRAME - INSIDE PACK 4

<p>A) x12 Bolts (M8x30mm) For fitting gas-lift mechanisms U(a) & U(b) to headboard & footboard (1&2) and support brackets (Z)</p> 	<p>B) DOUBLE & KING x22 SUPER KING x24 Spring washer for M8 bolts</p> 	<p>C) DOUBLE & KING x28 SUPER KING x30 Flat washer for M8 bolts</p> 	<p>Q) x6 M8 nuts for slat frame bolts</p> 
<p>R x6 Bolts (M8x45mm) for fitting metal slat frame (9 or 10) to gas-lift mechanisms (U)</p> 	<p>S) x2 Flanged lock-nuts (M8) for gas-lift pistons</p> 	<p>T) x1 Spanner for M8 nuts</p> 	
<p>V) DOUBLE & KING x4 SUPER KING x6 Bolts M8x20mm for fitting connection plates (W) to slat frame (9 or 10) and fitting the cross bar (14) to Super King size slat frame only</p> 	<p>W) x2 Metal connection plates</p> 	<p>Z) x2 Metal slat support bracket</p> 	

CARTON 3 - SIDE RAILS, ACCESSORIES

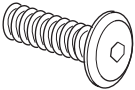



<p>3) Side rail - with media tray x 1</p> 	<p>4) Side rail - without media tray x 1</p> 
<p>X) Holster for remote controls x 1</p> 	<p>Y) Fabric hand strap x 1</p> 

CARTON 4 - OTTOMAN SLAT FRAME & MEDIA TRAY

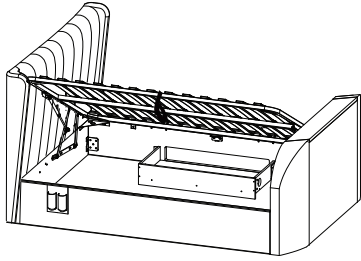
<p>5) Media tray base panel x 1</p> 	<p>6) Media tray back panel x 1</p> 	<p>11) Fabric base cover x 1</p> 
<p>7) Media tray side panel - L x 1</p> 	<p>8) Media tray side panel - R x 1</p> 	
<p>9) Metal slat frame for Double or King size x1</p> 	OR	<p>9) Metal slat frame for Super King size x1</p> 
<p>12) Corner brackets x4</p> 	<p>13) Mattress stoppers x2</p> 	
<p>Gas-Lift mechanisms U x1 Pair</p> <p>U(a)  U(b) </p>		<p>14) Cross bar for Super-King size only x1</p> 

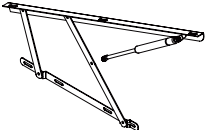

Step 1a

CHOOSE WHICH SIDE OF THE BED YOU WOULD LIKE TO LIFT UP

- A  x16 B  x16 C  x16 D  x1

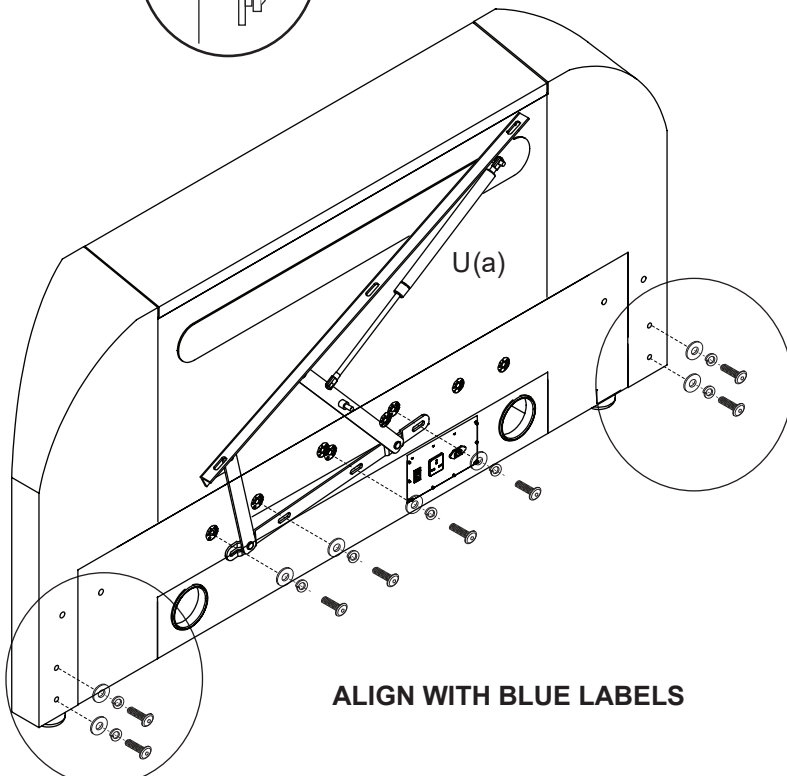
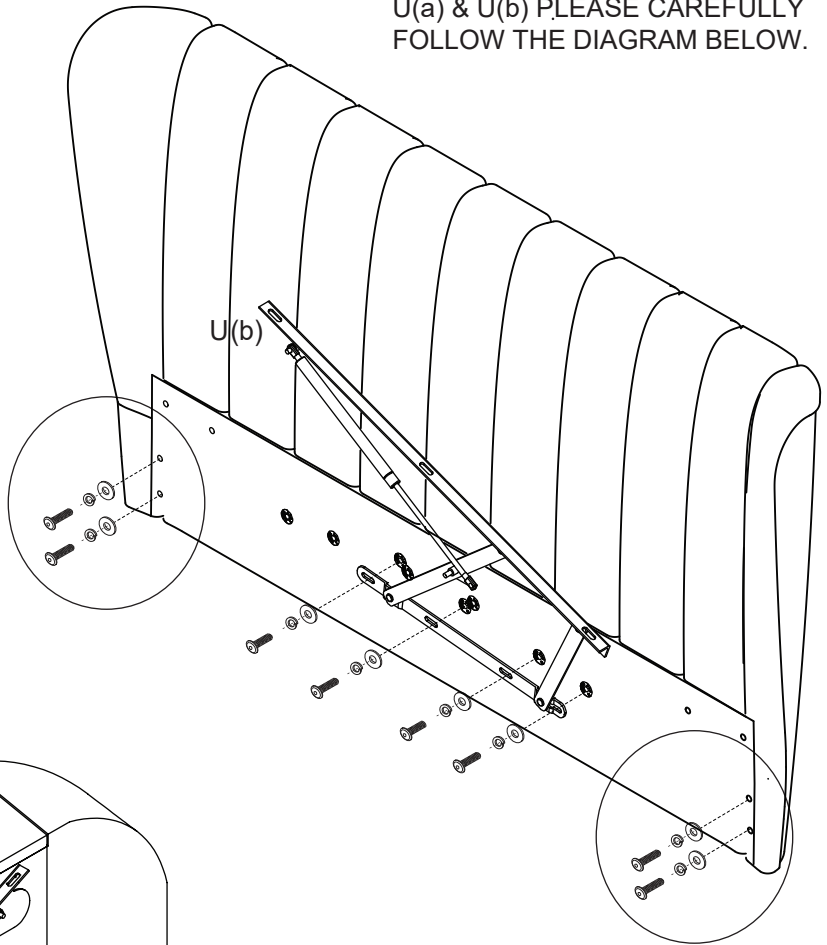
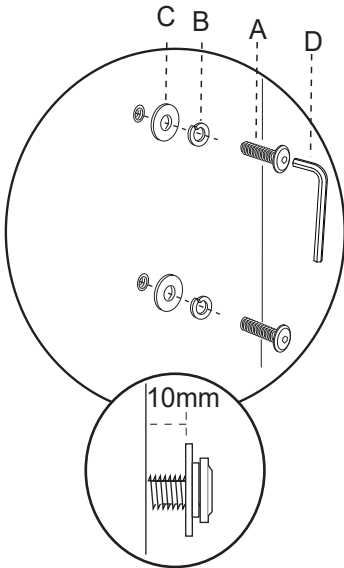
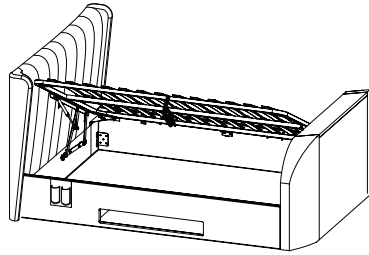
OPEN FROM LEFT



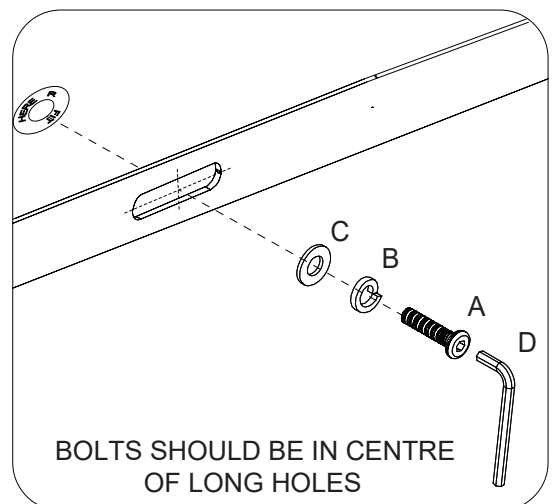
- U(a)  x1 U(b)  x1

CHECK THIS DIAGRAM AND IF ACCESS IS NEEDED FROM THE LEFT SIDE OF THE BED, FIT BOTH LIFT MECHANISMS TO THE RIGHT SIDE OF THE HEADBOARD & FOOTBOARD. BOLT INTO THE HOLES MARKED (R) WITH BLUE LABELS.

THE MECHANISMS ARE LABELED U(a) & U(b) PLEASE CAREFULLY FOLLOW THE DIAGRAM BELOW.

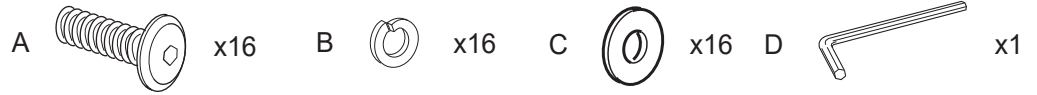


ALIGN WITH BLUE LABELS

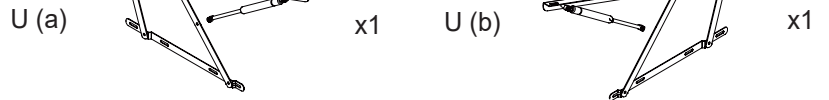
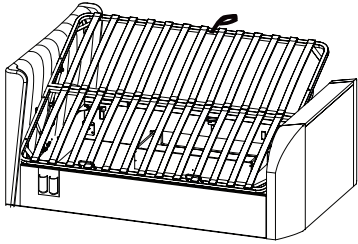


BOLTS SHOULD BE IN CENTRE OF LONG HOLES

Step 1b

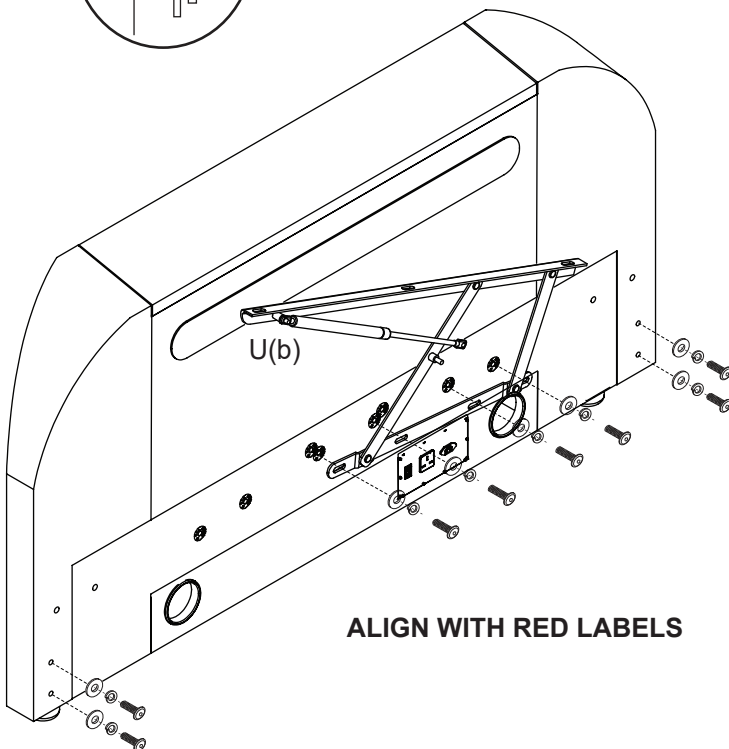
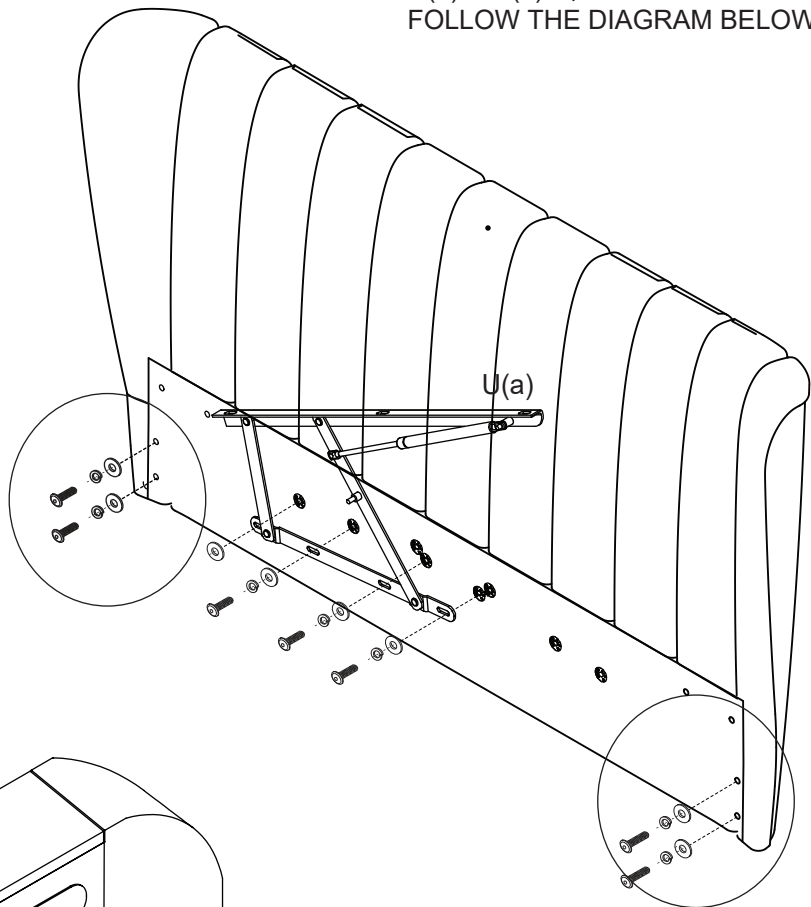
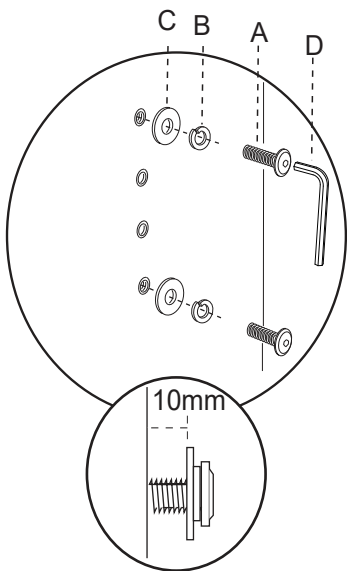
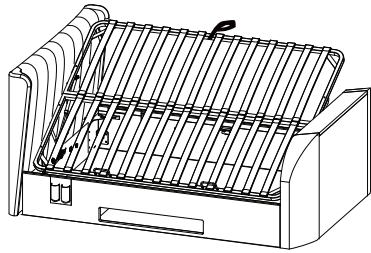


OPEN FROM RIGHT

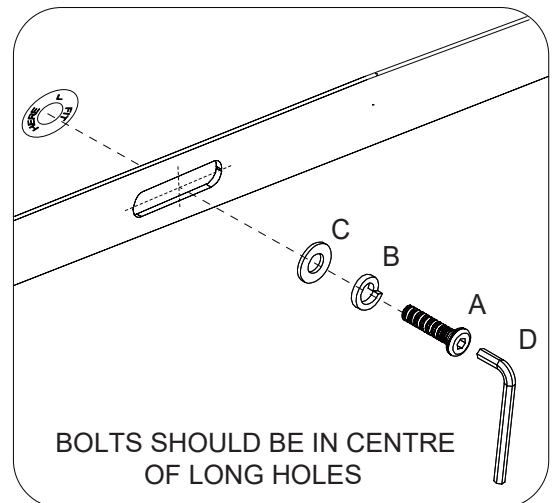


CHECK THIS DIAGRAM AND IF ACCESS IS NEEDED FROM THE RIGHT SIDE OF THE BED, FIT BOTH LIFT MECHANISMS TO THE LEFT SIDE OF THE HEADBOARD & FOOTBOARD. BOLT INTO THE HOLES MARKED (L) WITH RED LABELS.

THE MECHANISMS ARE LABELED U(a) & U(b) PLEASE CAREFULLY FOLLOW THE DIAGRAM BELOW.

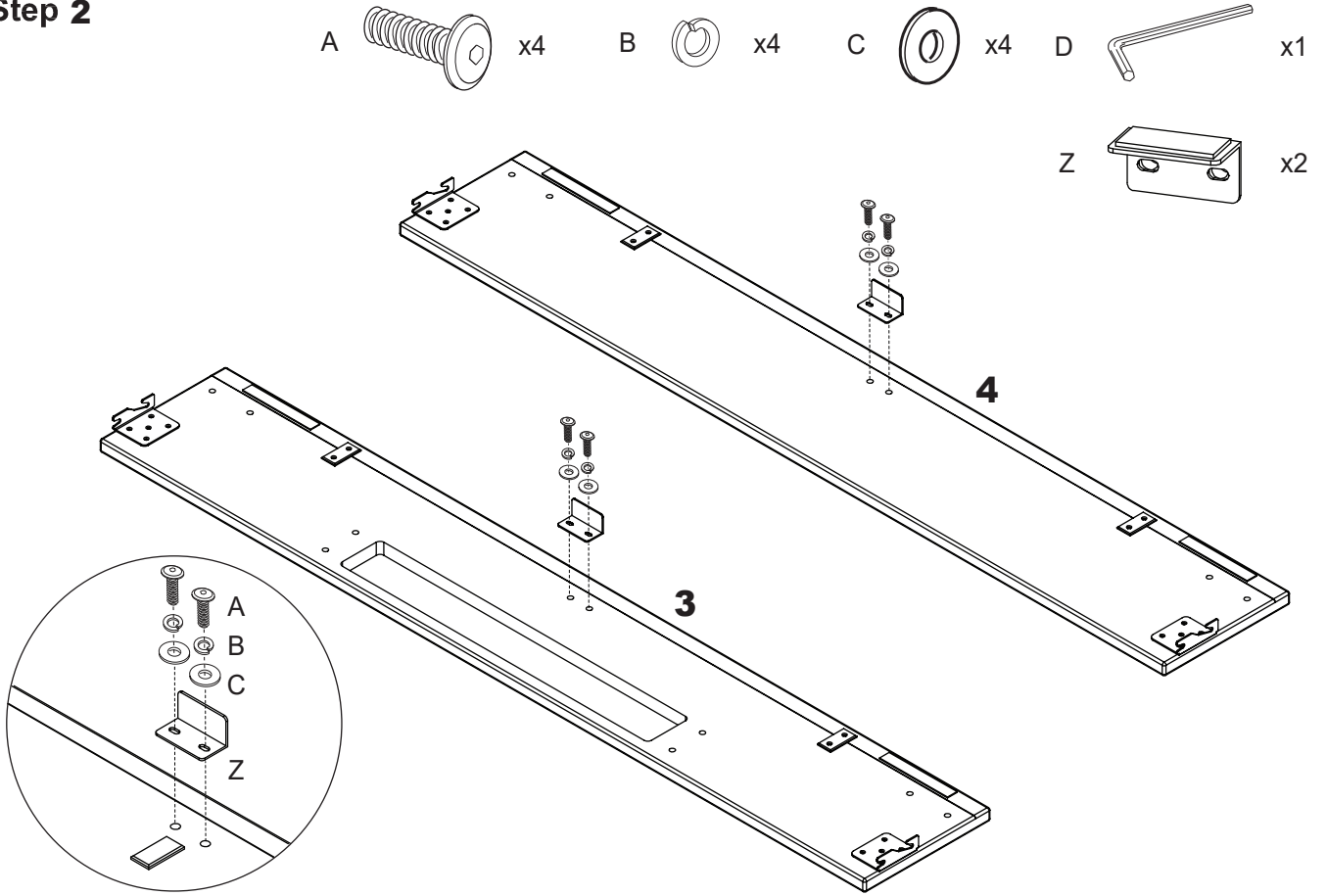


ALIGN WITH RED LABELS

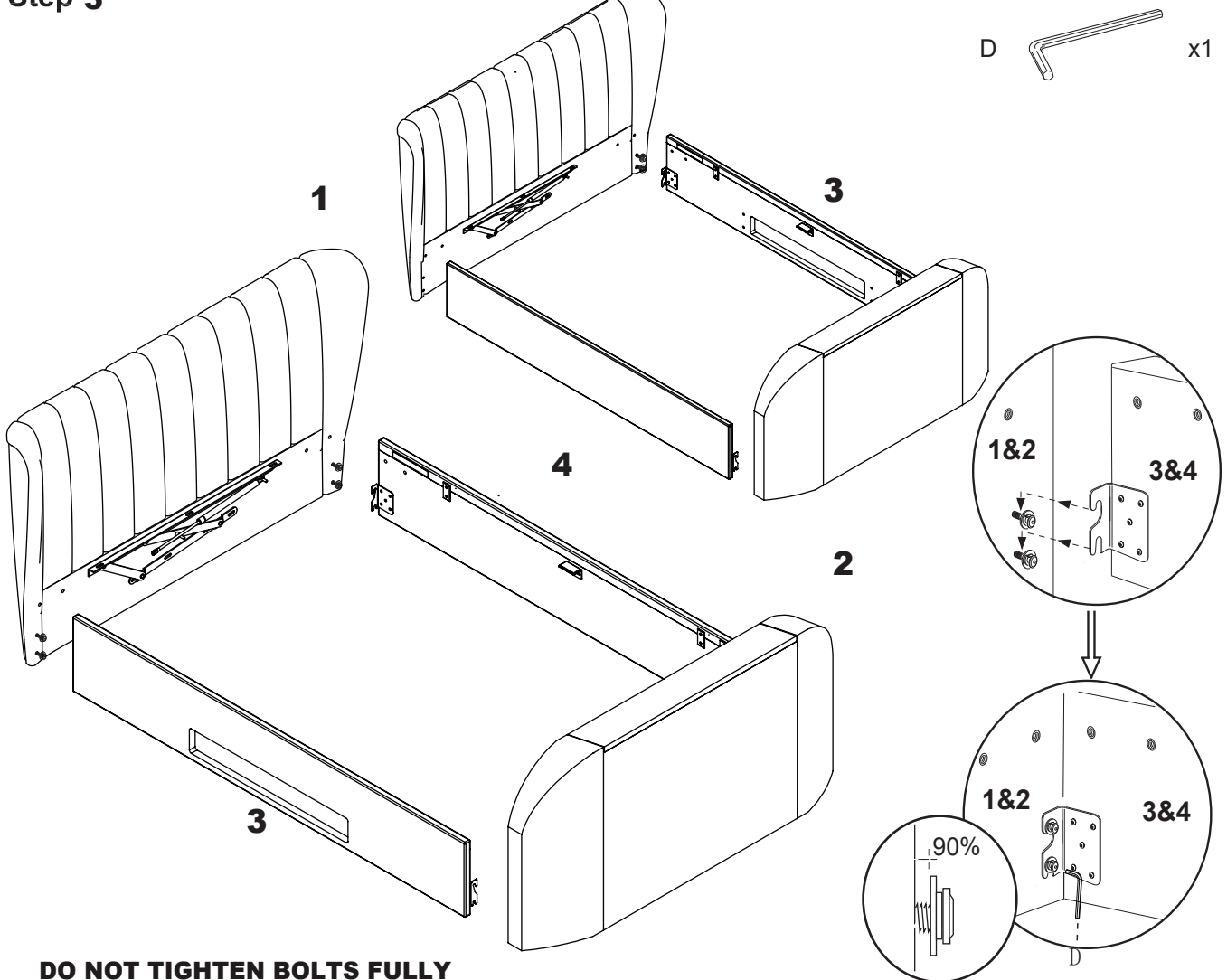


BOLTS SHOULD BE IN CENTRE OF LONG HOLES

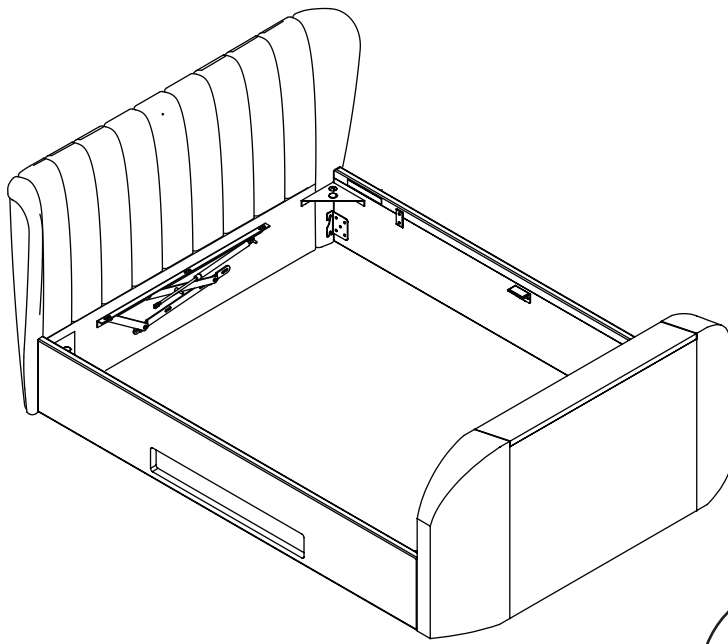
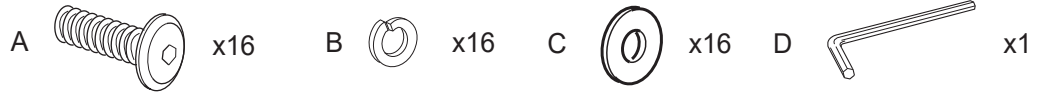
Step 2



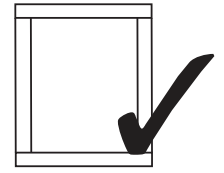
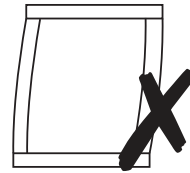
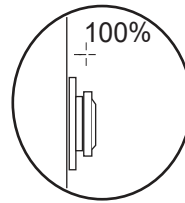
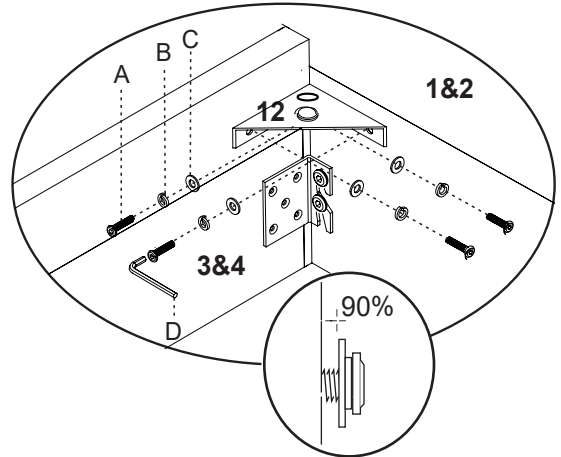
Step 3



Step 4



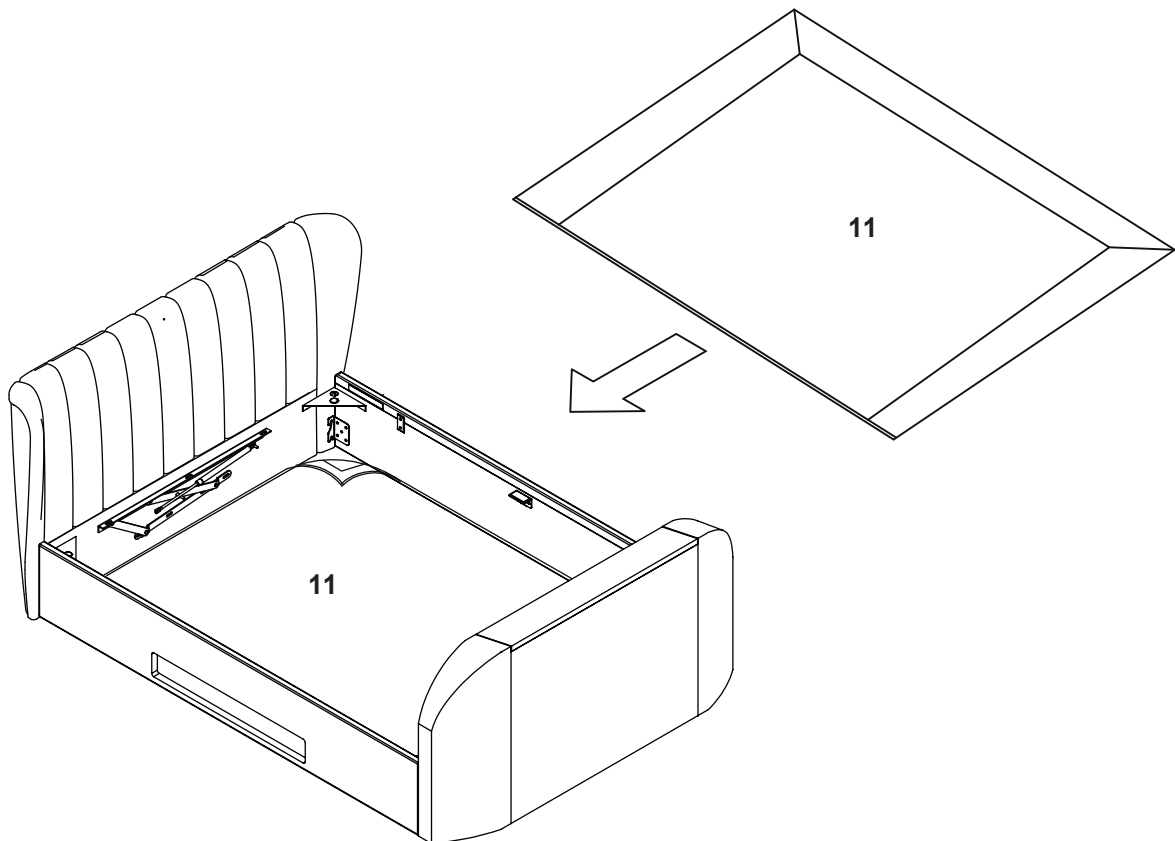
Fit x4 corner brackets (12)



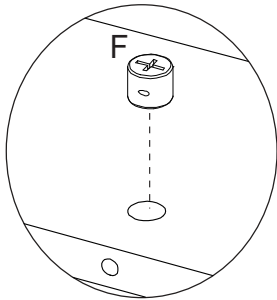
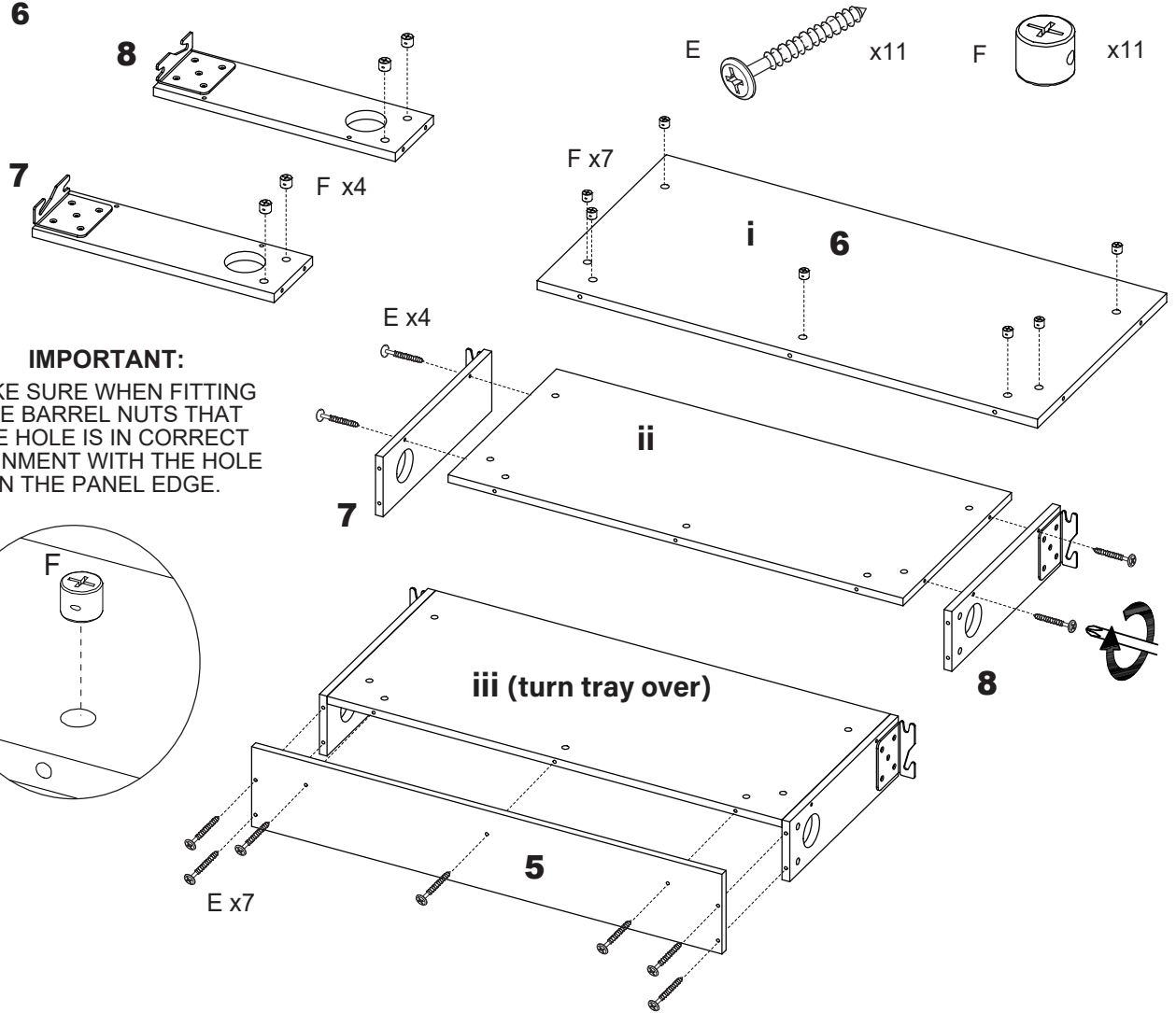
N.B. SQUARE UP THE BED AND THEN TIGHTEN ALL BOLTS 100%

Step 5

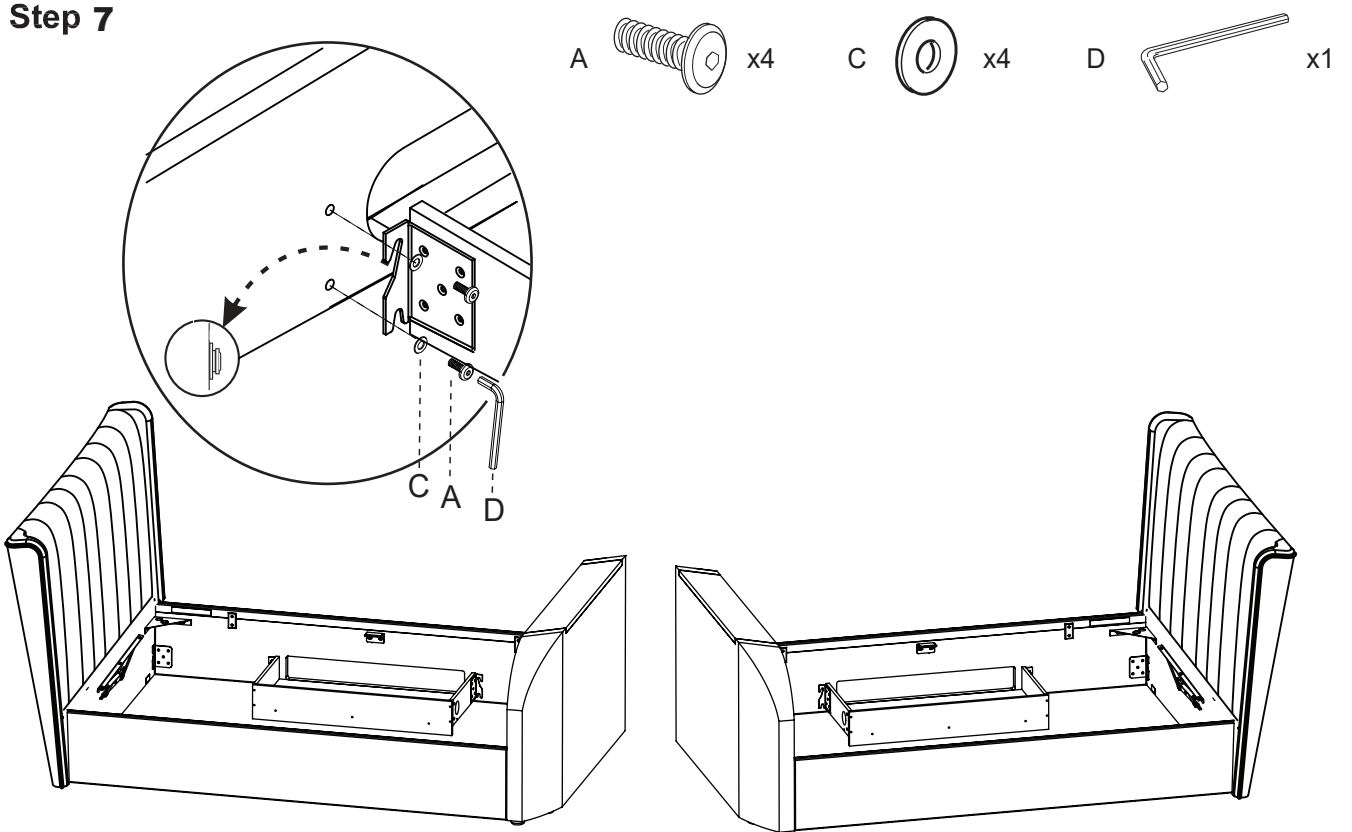
Fit the fabric base cover (11) evenly around the inside of the bed.



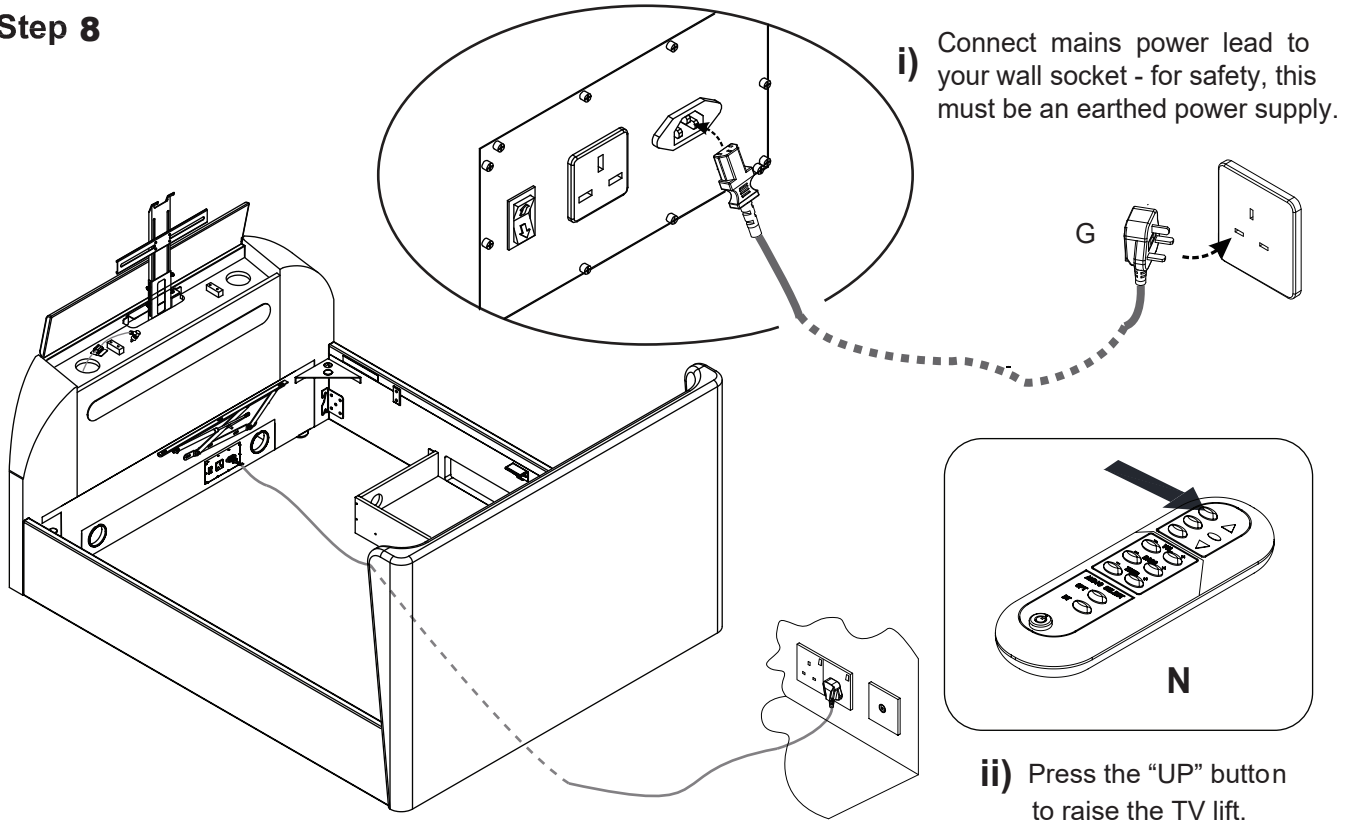
Step 6



Step 7



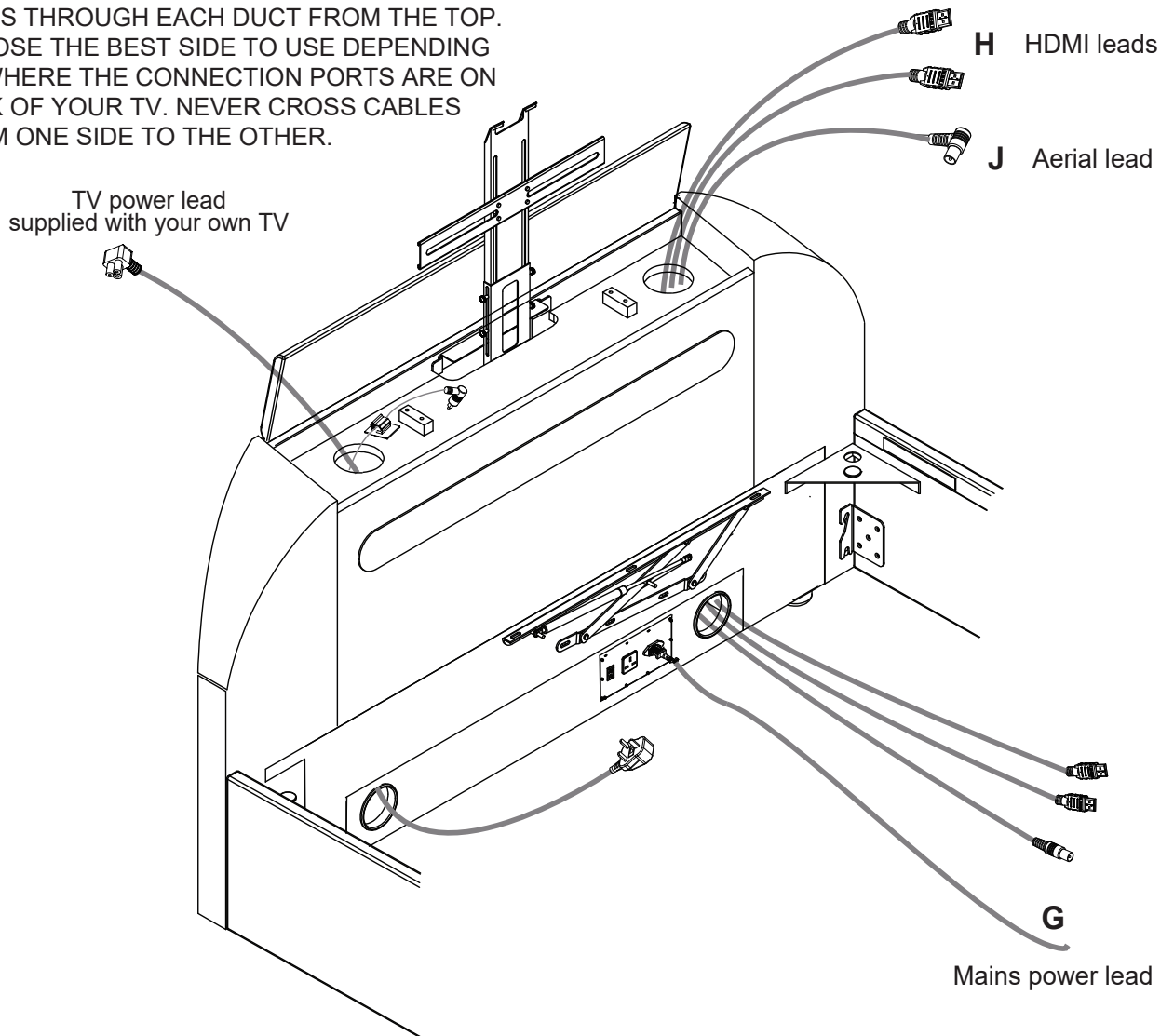
Step 8



Step 9

Note: For illustration purposes only, TV connections may vary.

TIP:
BEFORE FITTING THE TELEVISION, PUSH ANY LEADS THROUGH EACH DUCT FROM THE TOP. CHOOSE THE BEST SIDE TO USE DEPENDING ON WHERE THE CONNECTION PORTS ARE ON BACK OF YOUR TV. NEVER CROSS CABLES FROM ONE SIDE TO THE OTHER.



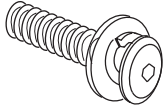
Step 10

TV Installation - Normal Vesa Fixing

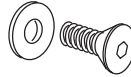
IF SCREWS ARE SUPPLIED WITH TV, PLEASE USE THOSE IN PREFERENCE

Choose a suitable set of hardware

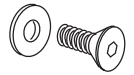
a) Bolt sets
M8 x 25mm



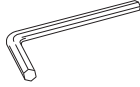
Counter-sunk screw sets (M6x12mm)



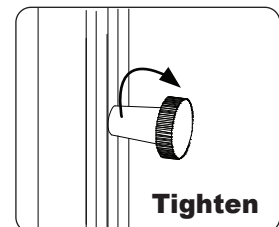
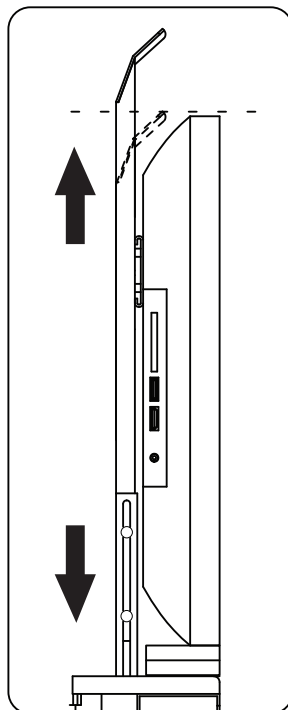
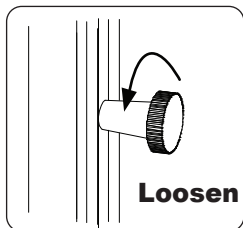
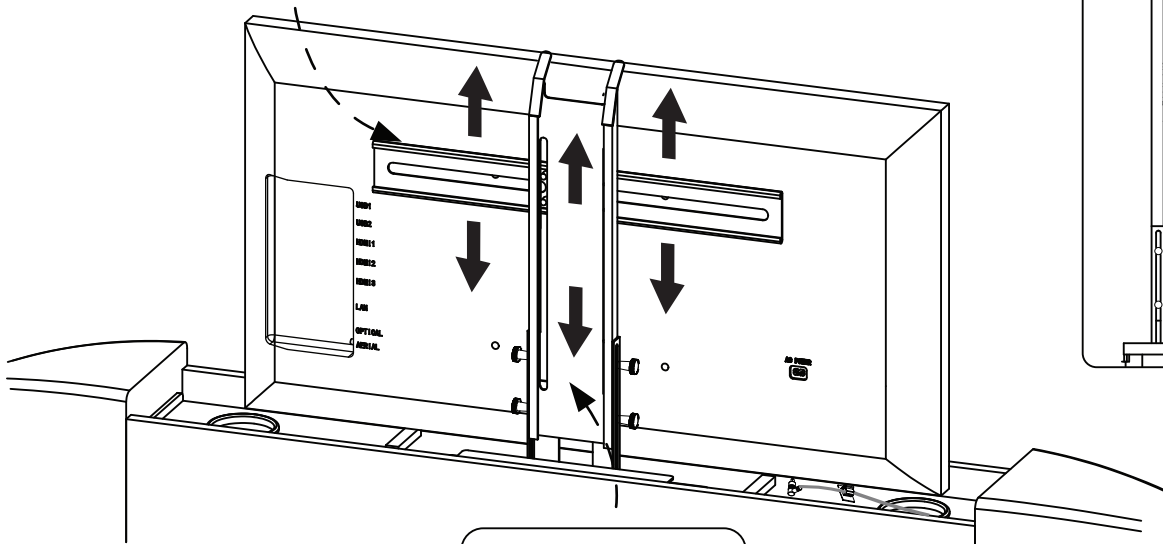
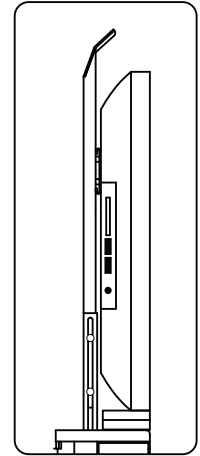
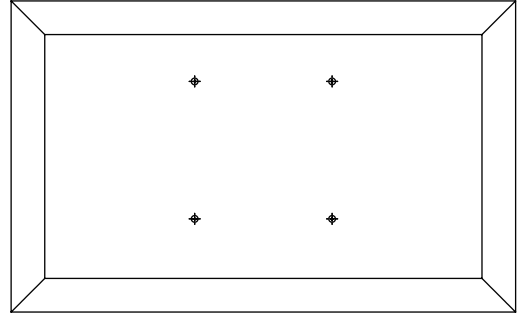
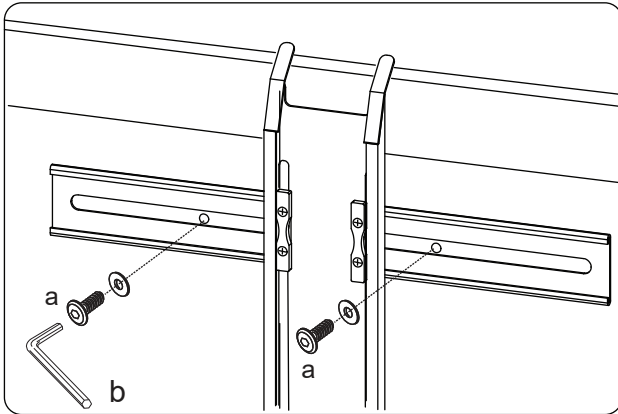
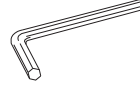
Counter-sunk screw sets (M4x12mm)



b) Allen key (2.5mm)



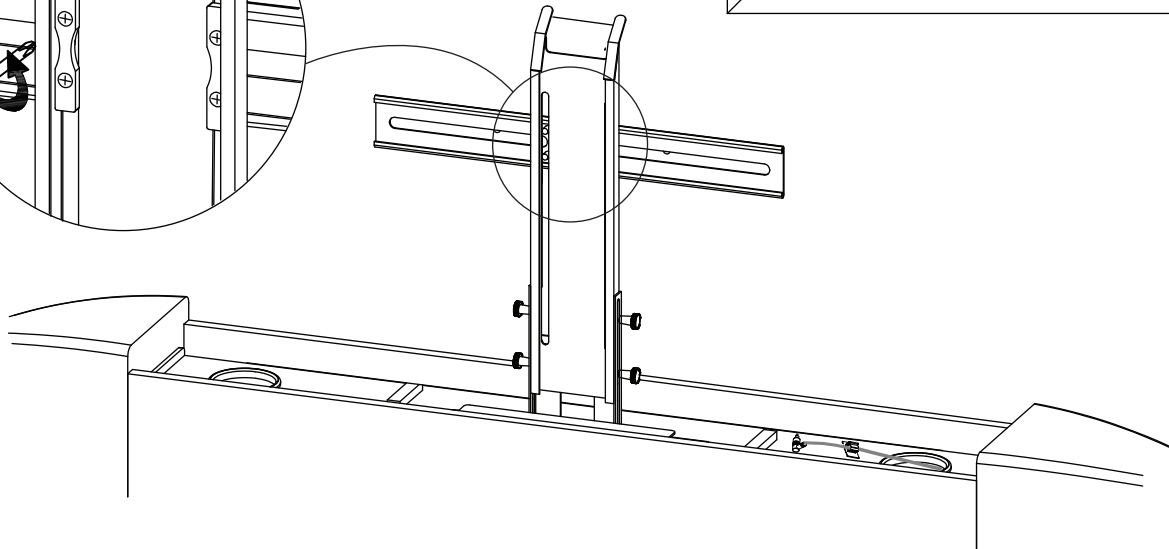
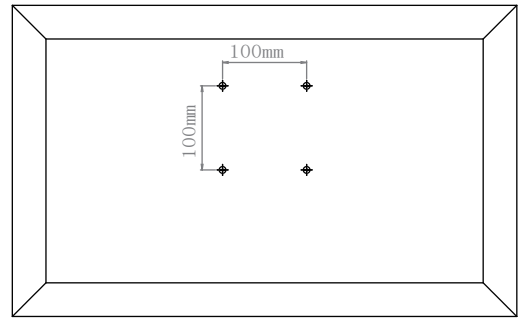
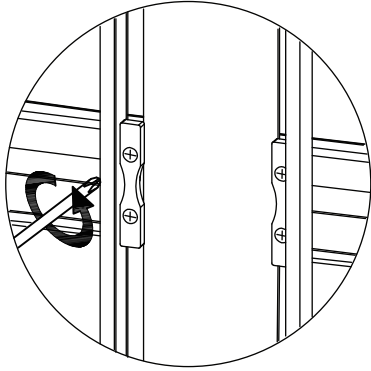
Allen key (4mm)



Step 11a

TV Installation - 100x100 Vesa Fixing

FIRSTLY: REMOVE THE TELEVISION CROSS-BRACKET FROM THE LIFTING COLUMN BY REMOVING THE 4 SCREWS FROM THE TWO CLAMPING PLATES

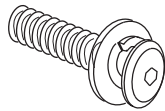


Step 11b

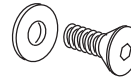
IF SCREWS ARE SUPPLIED WITH TV, PLEASE USE THOSE IN PREFERENCE

Choose a suitable set of hardware

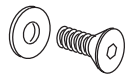
a) Bolt sets
M8 x 25mm



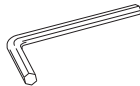
Counter-Sunk Screw sets (M6x12mm)



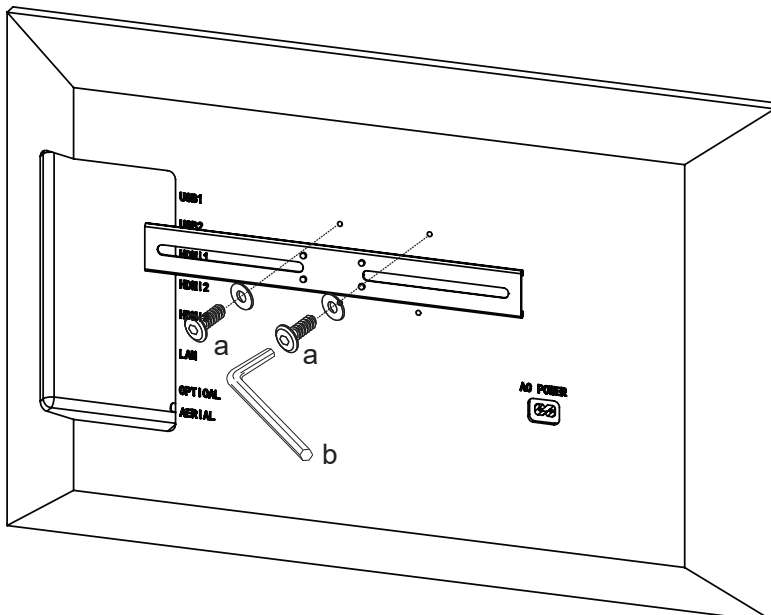
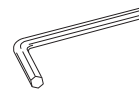
Counter-Sunk screw sets (M4x12mm)



b) Allen Key (2.5mm)



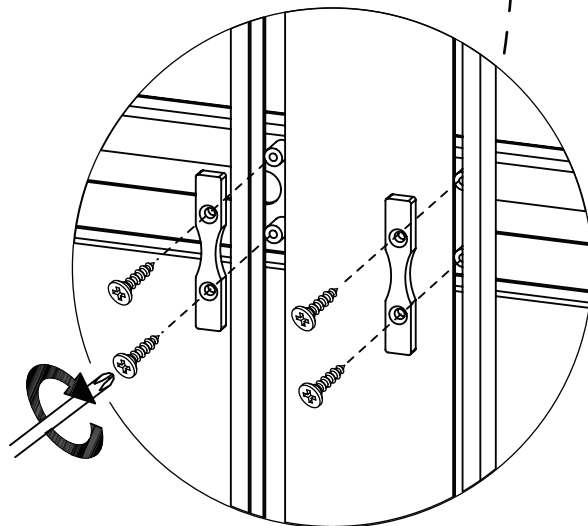
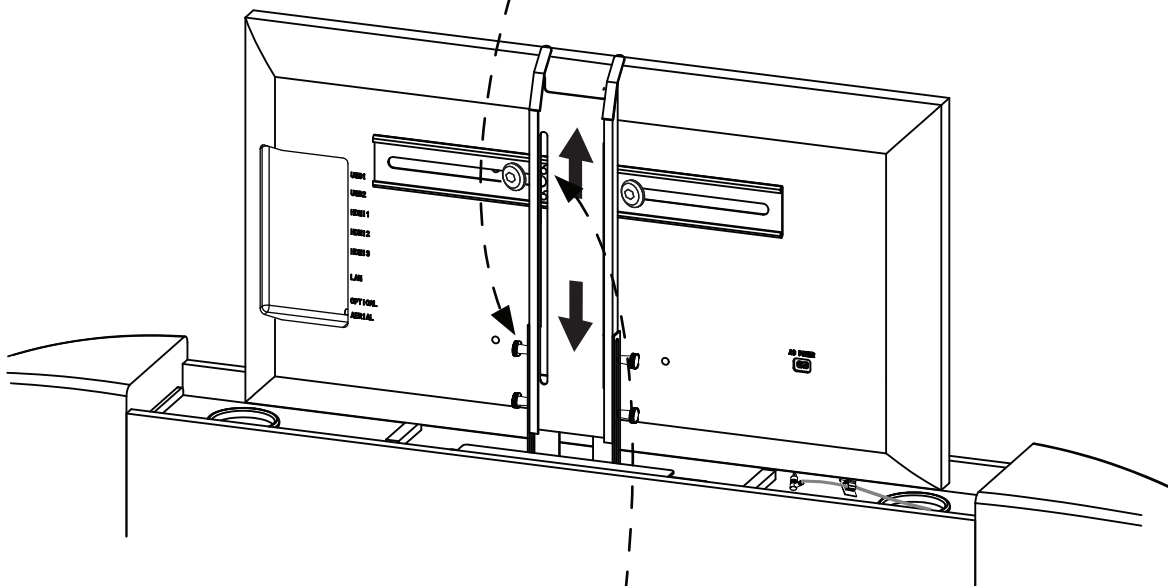
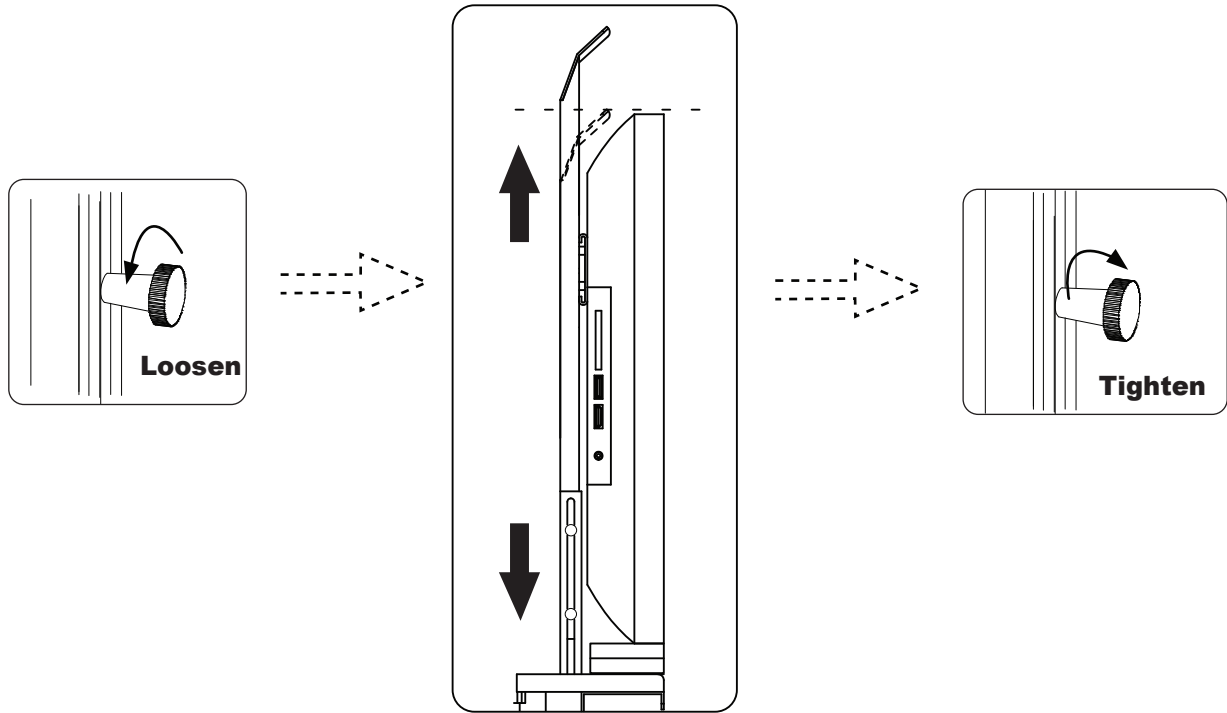
Allen Key (4mm)



SECONDLY: FIX THE BRACKET DIRECTLY TO BACK OF THE TV

Step 11c

THIRDLY: MAKE THE NECESSARY ADJUSTMENTS

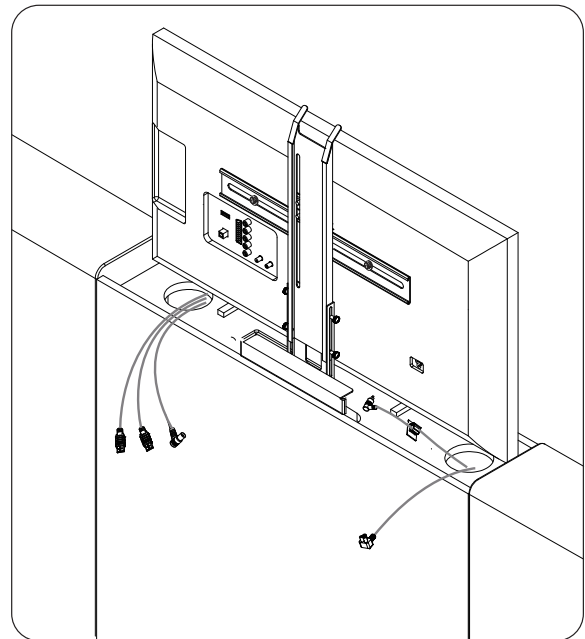
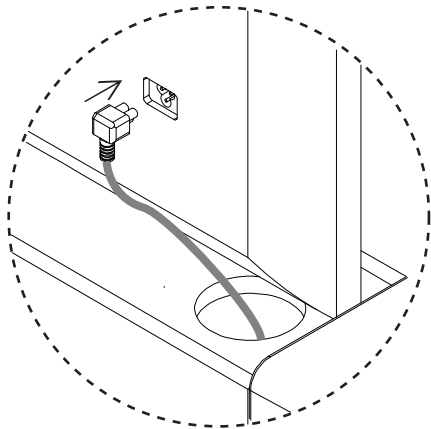


**FINALLY WHEN ALL ADJUSTED
SCREW THE TWO CLAMPING
PLATES BACK INTO POSITION**

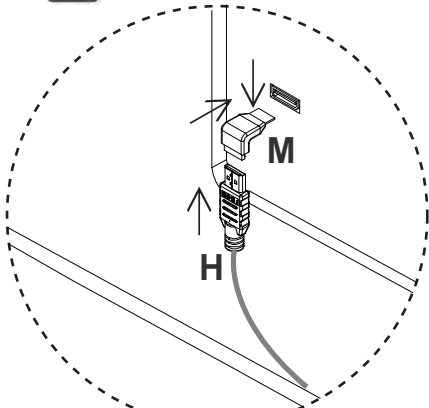
Step 12

Note: For illustration purposes only, TV connections may vary.

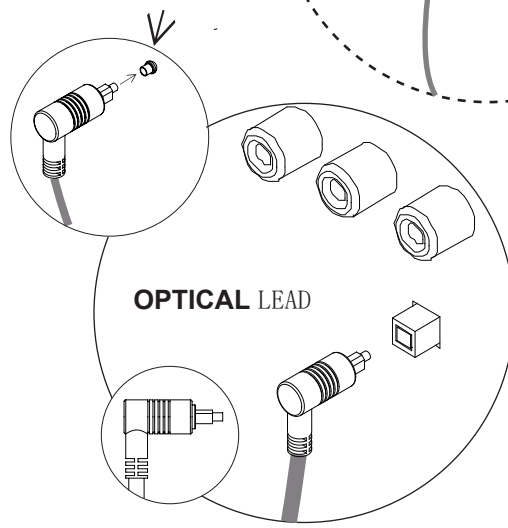
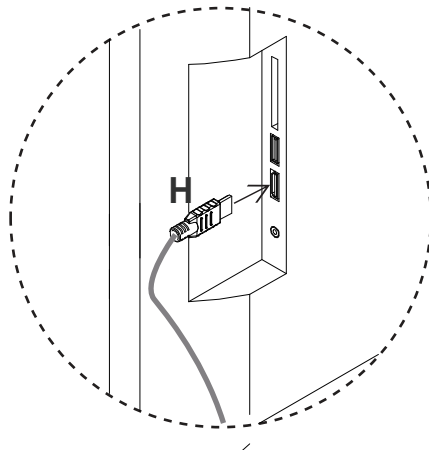
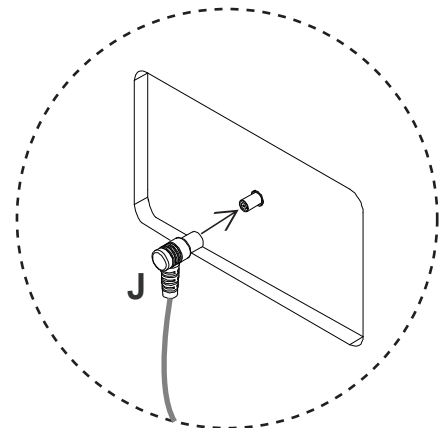
TV power lead supplied
with your own TV



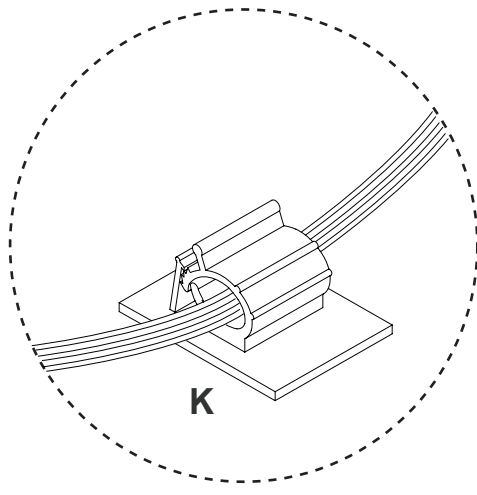
! 90° HDMI ADAPTOR



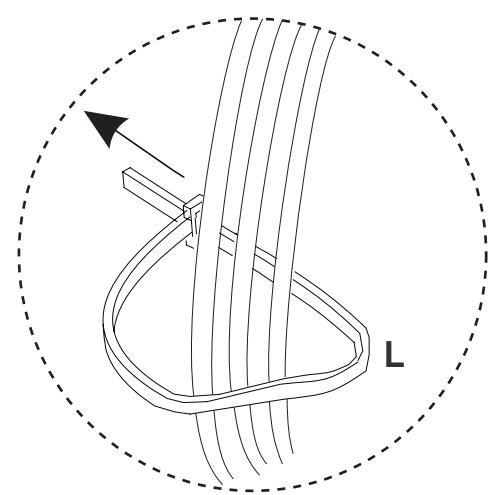
! REMOVE DUST-CAP



OPTICAL LEAD

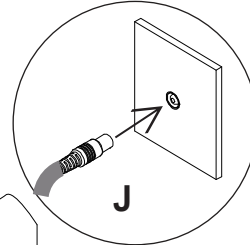
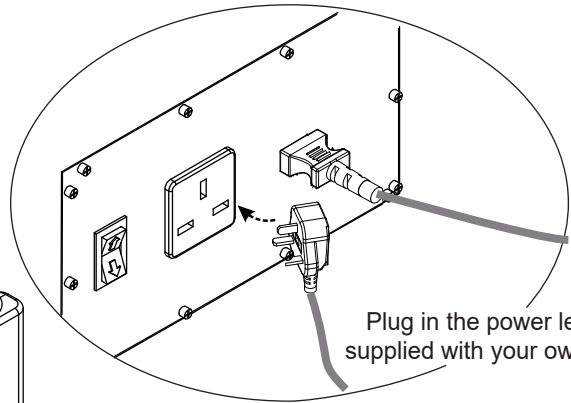
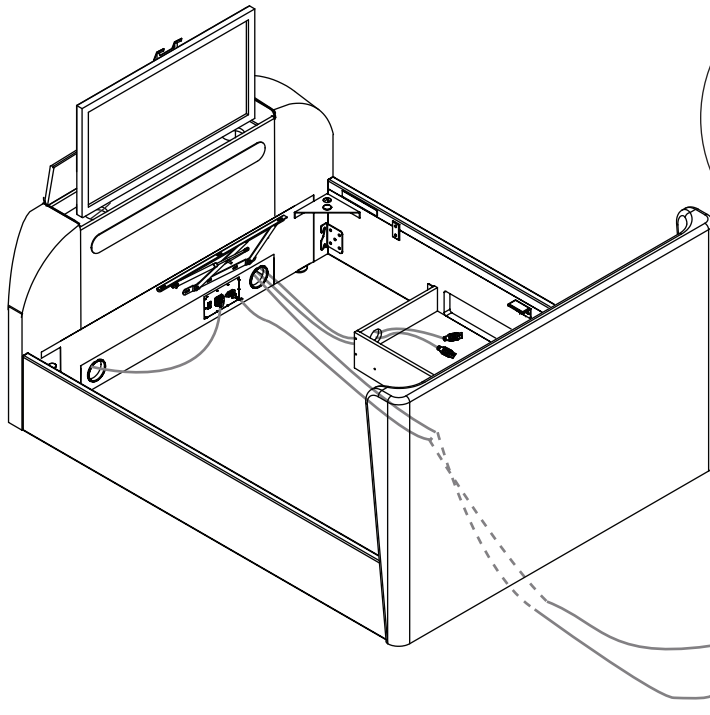


!
PLUG IN - KEEP ALL
CABLES TIGHT - USE
CLIPS & TIES PROVIDED.

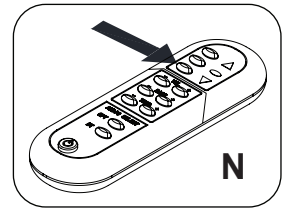


Keep wires tight - peel off
cover from cable clips &
adhere to back of TV.

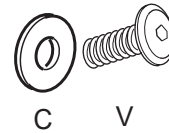
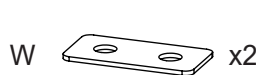
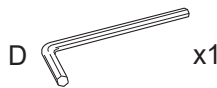
Step 13



Press the "DOWN" button to lower the TV lift.



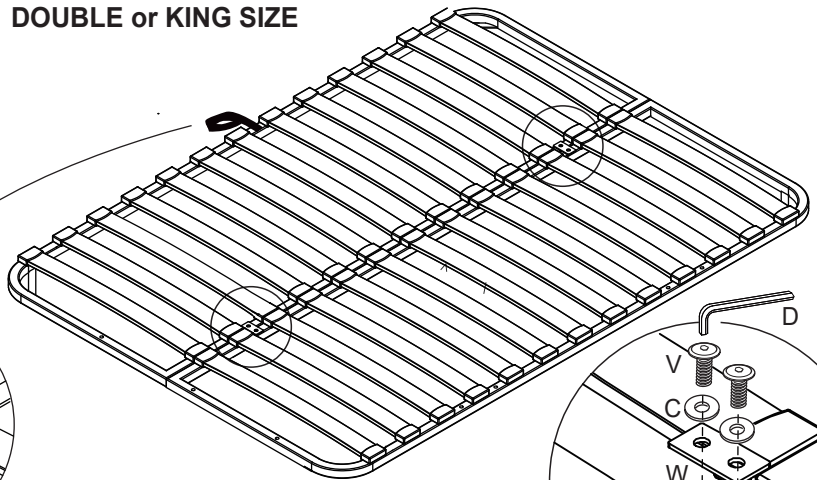
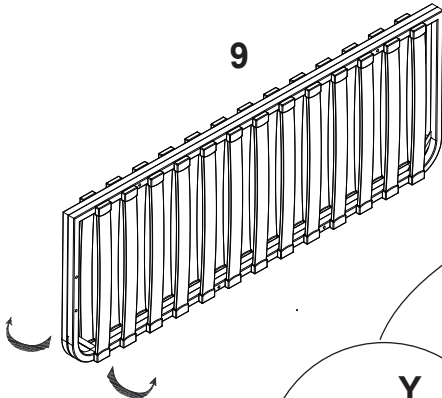
Step 14



DOUBLE or KING x4
SUPER KING x6

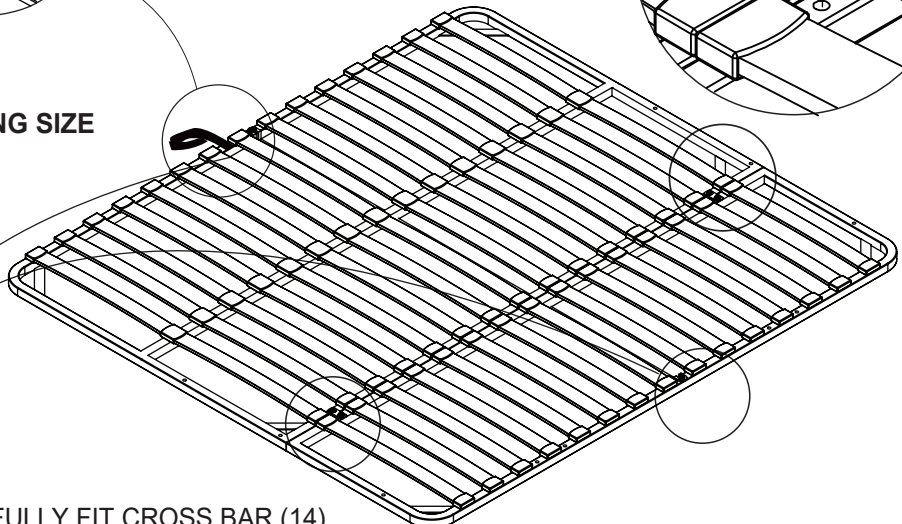
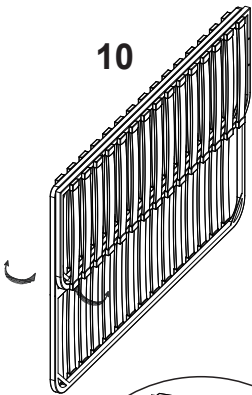
9

DOUBLE or KING SIZE



10

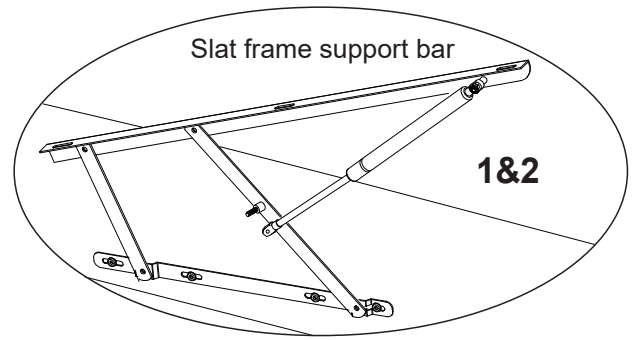
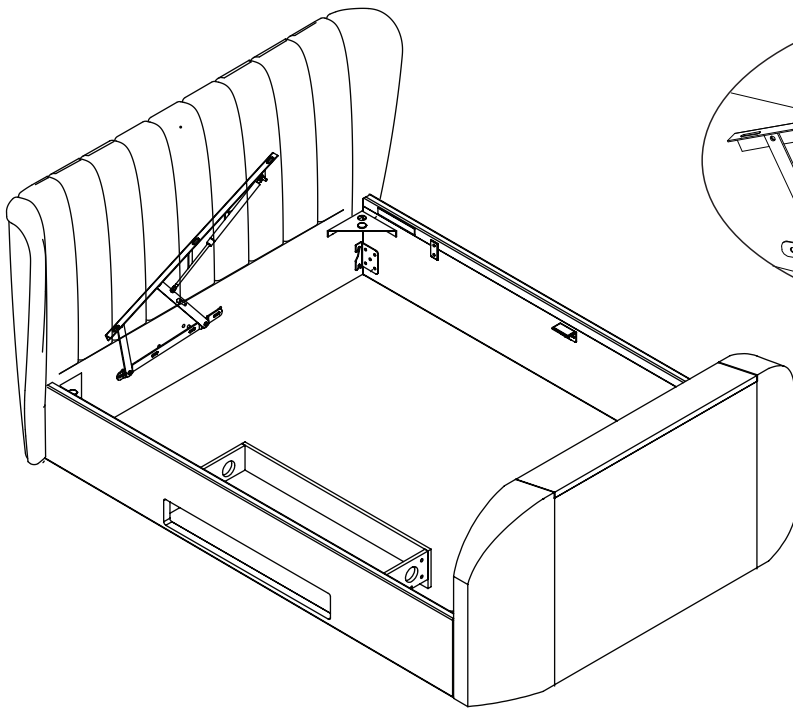
SUPER KING SIZE



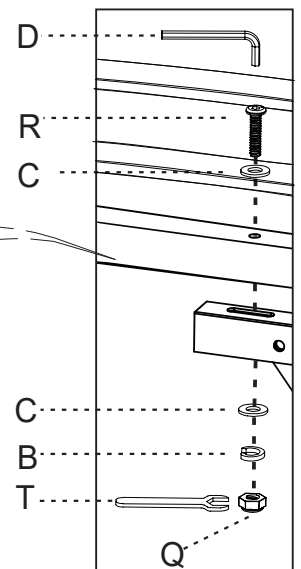
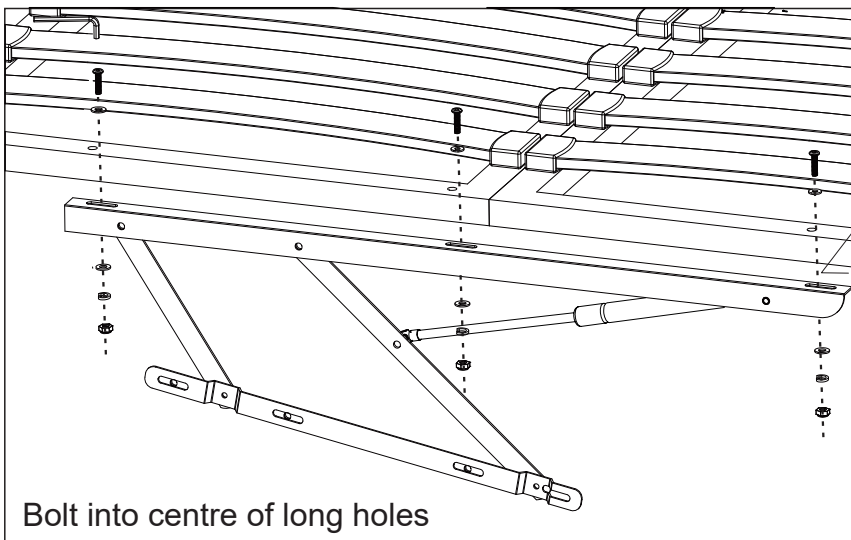
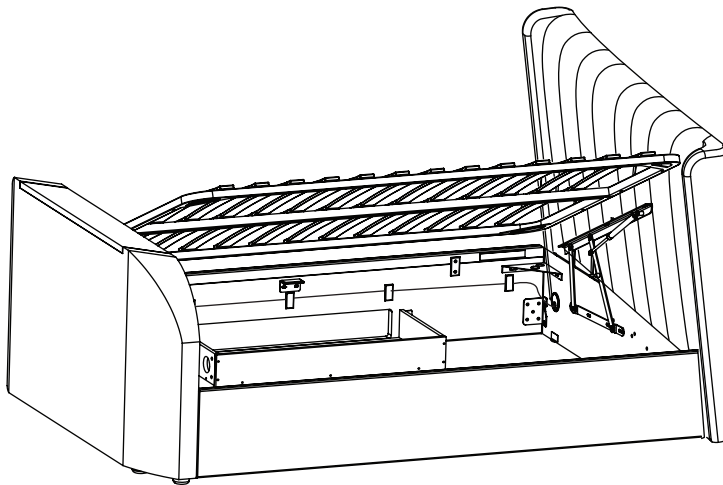
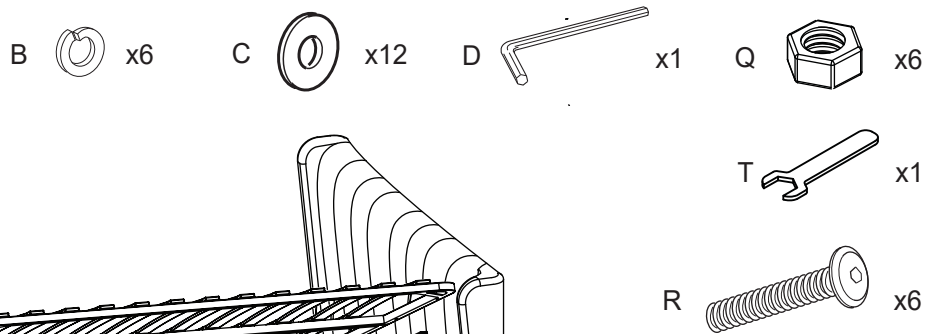
14

CAREFULLY FIT CROSS BAR (14) FOR ADDITIONAL STRENGTH

Step 15

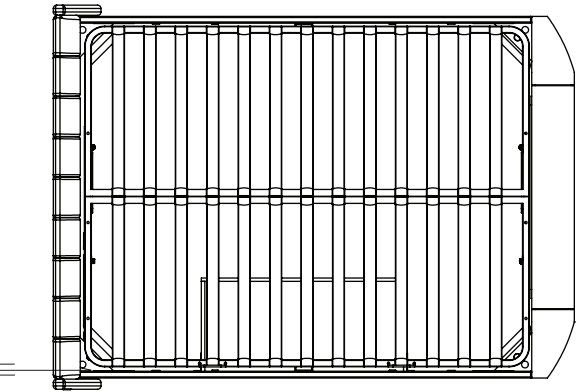
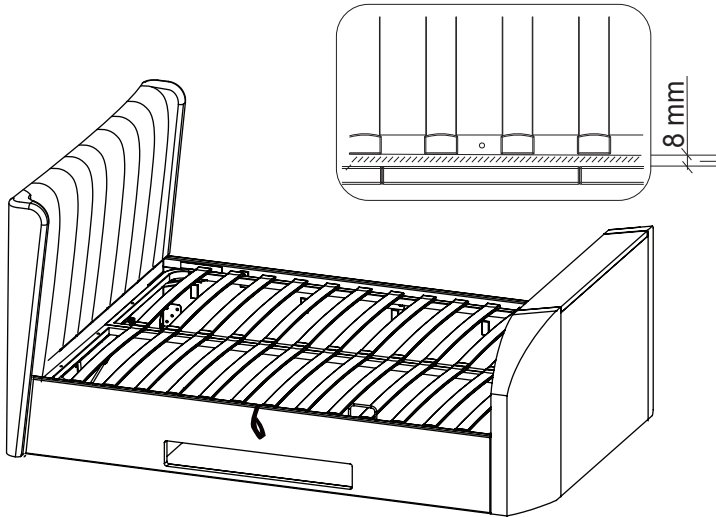


Step 16



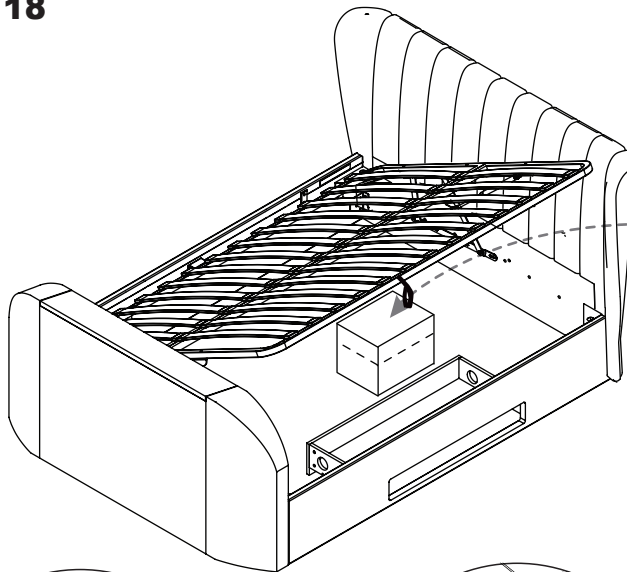
Step 17

Carefully lay the frame down making sure there is an even gap each side of about 8 mm as in the sketch.

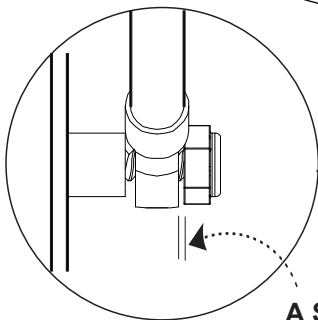


Hold frame securely then tighten all six bolt sets 100% using spanner (T) & Allen key (D).

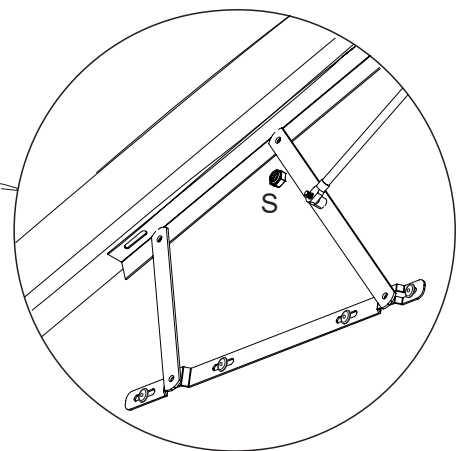
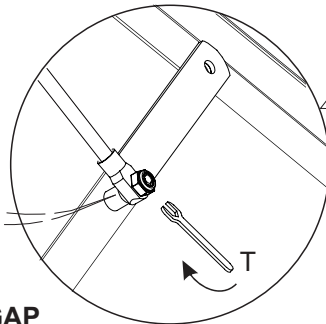
Step 18



Note: Be very careful what you store under the bed - the top of an item, like a suitcase or a box must not touch the slats or they may be damaged. Maximum storage height is 27cm.



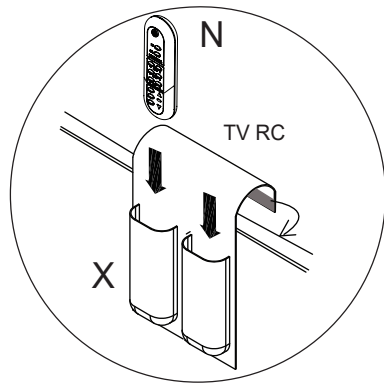
 A SMALL GAP MUST BE LEFT



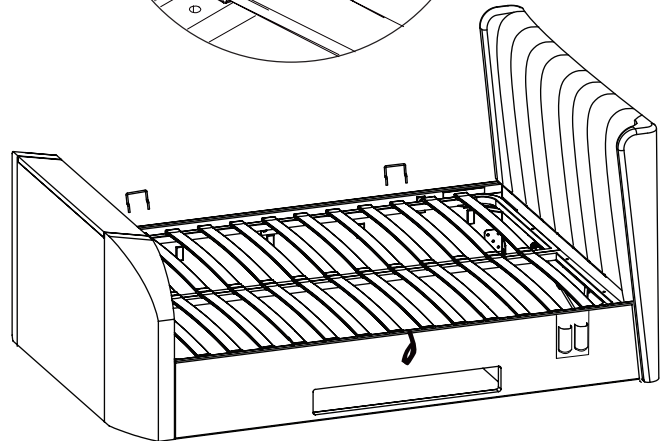
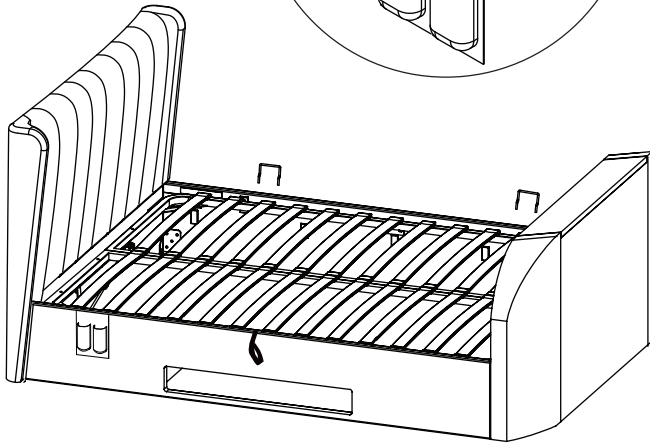
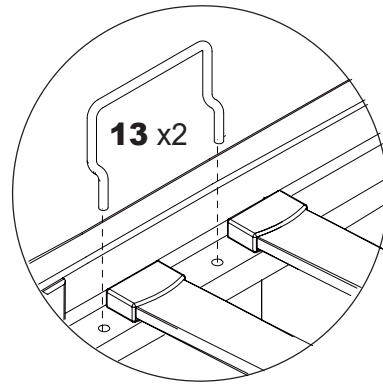
WARNING: Before moving the slat frame, The mattress must be placed on top of the slats because the speed of upward movement is very high and may cause injury. Lift the frame with the hand-strap, then slowly push down ensuring the edges are aligned with the side panels. If not aligned, check bed is still square. Depending on the weight of the mattress, the speed of the lift will vary so be careful until you get used to the speed. Always use the strap to lift or lower the frame - keep fingers well away from the moving parts.

NOTE: With mattress in place, move the frame up & down five times to lubricate the pistons.

Step 19 FIT THE REMOTE CONTROL HOLSTER
LEFT OR RIGHT



FIT THE MATTRESS STOPPERS



Technical Specifications

Maximum Size of TV (LHD mm)

980 x 570 x 80

Overall Dimensions (LWH mm)

Double: 2340 x 1635 x 1070

King: 2420 x 1785 x 1070

Super King: 2420 x 2085 x 1070

Internal Dimensions (LWH mm)

Double: 1940 x 1380 x 270

King: 2020 x 1530 x 270

Super King: 2020 x 1830 x 270

Media Tray Dims (WDH mm)

885 x 360 x 175

Distance between slats

Double 90mm

King & Super King 87mm

Ottoman Piston Rating

Double & King:

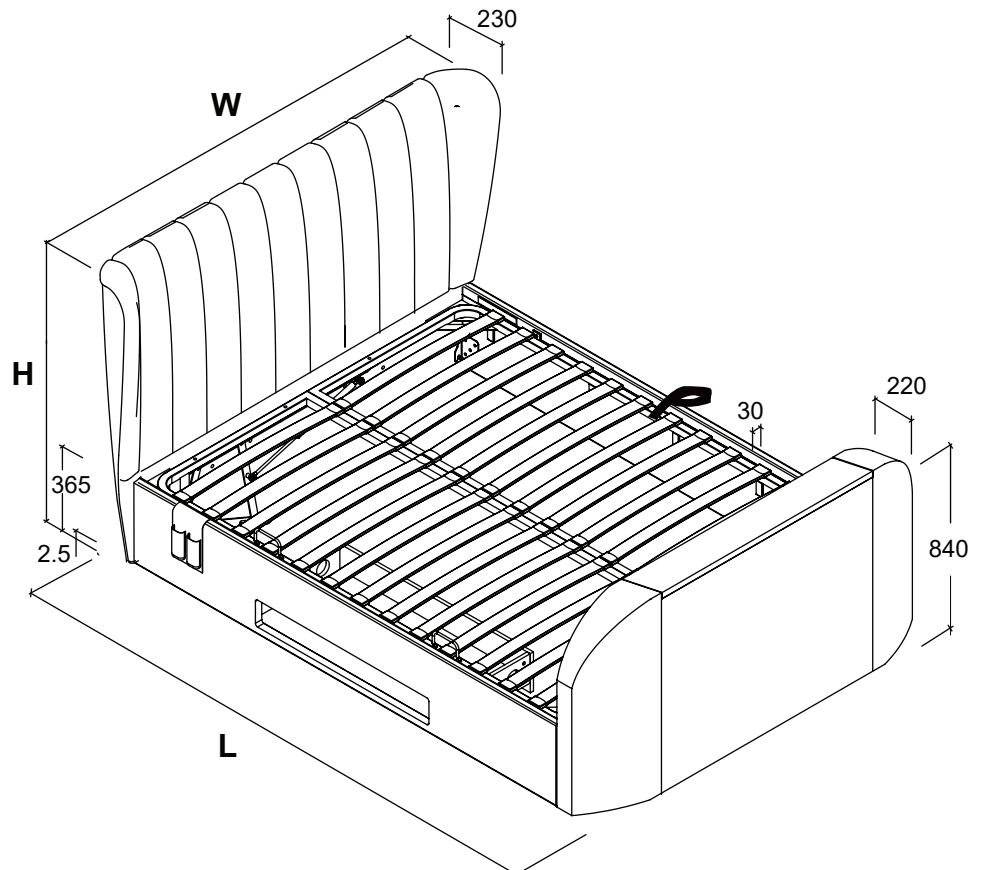
& Super King: 750N

Slat Dimensions (LWHmm)

Double: 670 x 53 x 9

King: 745 x 53 x 9

Super King: 605 x 53 x 9



Warning

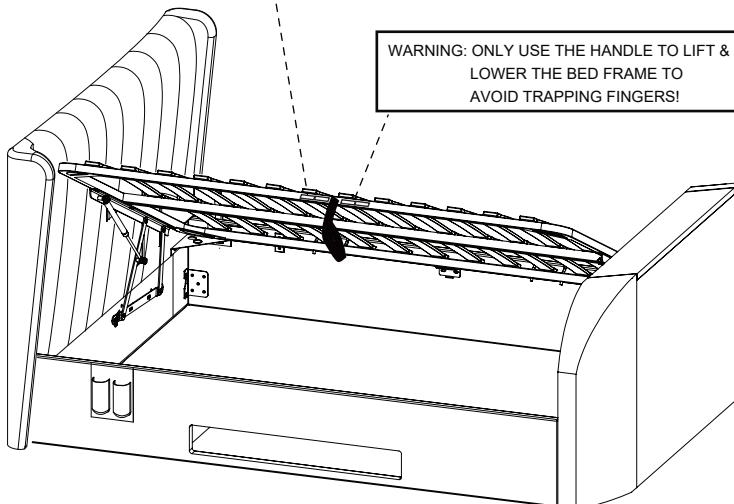
- You must ensure that the mattress is on the bed frame before operating the lift mechanism, failure to do so could result in injury.
- Keep hands clear of the mechanism when opening or closing the ottoman.
- Beware of entrapment – Never reach in through the mechanism to access the storage area.
- Always ensure that the ottoman is FULLY opened before accessing the storage area.
- Do not exceed the maximum weight as specified in the table below:

Bed	Bed Size	Min Weight (kg)	Max Weight (kg)
Kinsley Ottoman TV Bed	Double	20	50
	King	20	50
	Super King	20	50



- Use caution when operating, always use the handle when lifting.
- Note: This bed uses a pressurised mechanism.
- To be operated by adults only
- Please ensure that children and pets are kept away from the bed when operating the lift mechanism.
- Keep children and pets away from the storage area.
- Do not overload the internal storage base.
- Do not stand inside the internal storage area of the bed.
- Before removing the mattress secure the frame to ensure it does not open unexpectedly.
- Do not attempt to lay on the mattress when the ottoman is in the raised position.

<p><u>SAFETY WARNING</u> PLEASE DO NOT ALLOW CHILDREN OR PETS INSIDE THE STORAGE AREA.</p>	<p><u>SAFETY WARNING</u> PLEASE BE CAREFUL WHEN LIFTING. ONLY LIFT WITH MATTRESS ON TOP. TO BE OPERATED BY ADULTS ONLY.</p>
---	--



WARNING: ONLY USE THE HANDLE TO LIFT & LOWER THE BED FRAME TO AVOID TRAPPING FINGERS!

TO AVOID ACCIDENTS
TO ACCESS THE STORAGE AREA THE OTTOMAN FRAME MUST BE FULLY OPENED AND THEN FULLY CLOSED AFTERWARDS



GENERAL INFORMATION

It is very important not to place any vessel containing liquids, e.g. drinks or vase of flowers, on top of the TV footboard which may accidentally spill and enter the TV compartment as this could cause damage to the TV and/or the TV lifting equipment. If this happens, please contact your retailer.

Do not expose the bed to an undue level of heat - keep away from radiators.

Never allow anyone to sit on the foot end of the bed - keep children well away from moving parts.

To keep bed clean, we recommend that it be wiped over with a slightly dampened cloth or if fabric, use a light vacuum cleaner; disconnect power before cleaning.

Supplied with the bed is a remote control to operate the TV Lift and when you fit your own TV there is a remote control to operate it as well. Both these remotes use batteries - there are no batteries in the rest of the equipment.

There are strict controls for disposal of batteries - your local council can advise on how to safely dispose of them.

Never burn batteries on an open fire as they could explode.

IMPORTANT POWER INFORMATION

It is essential that the mains power lead is connected to an earthed socket be it a wall socket or extension lead - otherwise there is risk of damage or even electric-shock.

The socket providing the power must be accessible at all times in case you need to switch off the power quickly.

During an electrical or lightening storm - disconnect the power completely as a precaution.

Always un-plug the power when going on holiday or when the bed is not used for an extended period.

If you have young children in the home always disconnect the power at the wall socket for extra safety.

Power outlets, extension leads or adapters must not be overloaded beyond their limit - this can result in fire or electric shock. Leads supplied with this bed, or other approved mains powered extension leads used to power the equipment, must not be placed where they can be walked on - this is dangerous and could lead to accidents.

Do not interfere with or modify any cables already fitted and do not add any extra media leads unless they are routed through the ducts as shown. All leads must be tightly connected to back of TV, never hanging loose.

Never touch moving parts or any part of the equipment - if something needs to be checked, disconnect the power first.

Do not insert anything into the footboard as this could seriously damage the TV and/or the TV lifting equipment and could, if done carelessly, cause serious damage or injury.

If the equipment doesn't operate normally or if there is any unusual noises, disconnect the power.

TELEVISION INSTALLATION

Before fixing the slats frame to the bed, please follow the television installation instructions below

Raise the TV Lift by pressing the UP button of the remote control.

Connect the TV using the TV Installation Kit packed in the accessory box in carton 2. If screws are supplied with your TV, use these in preference.

Connect the TV to the mounting bracket plate.

If necessary mounting plate can easily be adjusted to move TV up or down.

Connect the TV Power Lead (supplied with TV) by passing plug down one of the ducts, plugging it into the adapter if required then into the TV power socket which is on the face of footboard.

Note that this socket is only to be used for the TV, power output is not constant.

Arrange the Aerial & HDMI cables by passing down the appropriate duct.

If required, connect your own media cables through either of the ducts then connect your media equipment.

Please use the cable clips & cable ties to make certain there are no loose wires to snag.

The TV can now be operated following the TV Operation Guide supplied with your TV.

When finished viewing lower the TV back into the footboard by pressing DOWN button of the remote control. The TV will retract into the footboard automatically - power shall be turned off when TV reaches the bottom. When the UP button is pressed - the TV Lifting Column rises and power to the TV turns back on automatically.

TROUBLE SHOOTING

If your equipment does not operate please check all the power connections to the wall and to the socket in the footboard.

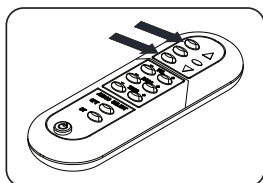
Make sure TV is switched on. (Note: TV will only work when it is in the up position).

Follow instruction below to make certain pairing of remote control has not been lost.

If the television or the TV Lift still fails to operate please contact your retailer.

IMPORTANT: Care should be taken when connecting electrical items. If in any doubt please consult an approved electrician to advise you on the electrical supply to achieve safe connections, to the electrical equipment of the TV Bed.

Occasionally you may find the radio wave connection between remote control and TV Lift is lost, probably due to atmospheric conditions. In that case please follow these simple instructions:



- ①. Disconnect all mains electric power to the bed, for at least 60 seconds.
- ②. Press UP or DOWN Button on Remote Control and keep holding button down, simultaneously re-connect mains electric power to bed keeping button down for at least a further 5 seconds. TV Lift unit receives signal from Remote Control and lift will begin to move UP or DOWN whichever direction is selected.
- ③. Re-connection is now complete.

Product Information

- Upholstered Bed Using Polyester Fabric. Conforms to BS EN 1725 & BS 5852.
- TV Lift system has a maximum load capacity of 14 Kg
- Compatible with slimline LED television with a screen size of 42".
- Maximum TV dimensions: W98 x H57 x D8cm

Care Instructions

- Avoid exposing the furniture to excessive heat or direct sunlight as this can cause cracking and deterioration of the colour.
- Periodically check & re-tighten any fastener.
- Periodically wipe with a soft damp cloth or if fabric, dust lightly using a small vacuum cleaner..
- Do not use silicone based furniture polish.
- Any spills should be removed immediately with a soft damp cloth.
- TAKE CARE WHEN MOVING THE FURNITURE AND NEVER DRAG THE PIECES ACROSS THE FLOOR, AS THIS WILL CAUSE DAMAGE TO THE JOINTS.



We cannot be held responsible for any damage caused to the TV, TV cabling or the TV Bed itself due to incompatibility of any additional equipment installed by the end-user or due to loose and poorly installed cables. Please read this Assembly Instruction carefully and follow the recommendations.

CE TV LIFT REF: LA08 CONFORMS TO STANDARD FOR UK & LED CONFORMS TO STD FOR UK (EMC, LVD & ROHS)

TV LIFT: EN 60335-1:2012+A11: 2014	<u>LED LIGHT STRIP:</u> FDL037-60	
EN 60950-1:2006+A11:2009+A1:2010	EMC CERT NO. HTT170911240E	DIRECTIVE: 2014/30/EU
+A12:2011+A2: 2013	LVD CERT NO. HTT170911240L	DIRECTIVE: 2014/35/EU
EN 301 489-1 V2.2.0: 2017	ROHS CERT NO. HTT170911240R	DIRECTIVE: 2011/65/EU
EN 301 489-3 V2.1.1: 2017		
EN 55014-1:2006+A1:2009+A2:2011	<u>POWER SUPPLY:</u> FDD-009	
EN 61000-3-2: 2014 EN 61000-3-3: 2013	EMC CERT NO. BST14010531Y-1EC-1	DIRECTIVE: 2004/108/EC
EN 62233: 2008 EN 55014-2: 2015	LVD CERT NO. BST14010531Y-1SC-2	DIRECTIVE: 2006/95/EC
EN 300 440 V2.1.1: 2017 EN 301 489-3	ROHS CERT NO. BST14010531Y-1RC-4	DIRECTIVE: 2011/65/EU
V2.1.1: 2017 EN 62479: 2010		