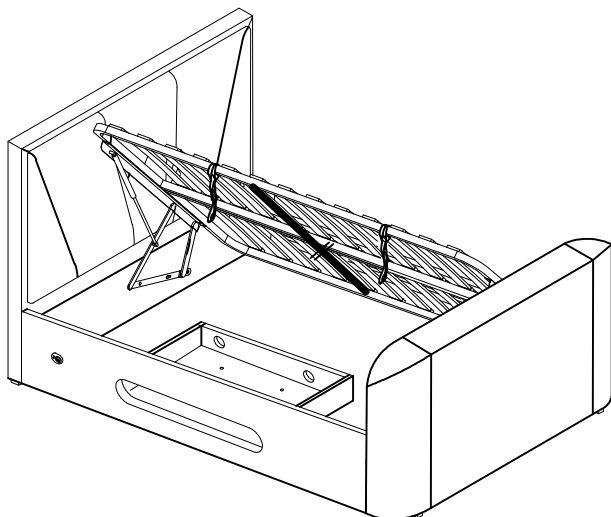


# HORIZON OTTOMAN TV BED

SIZE : 4ft6 & 5ft



PLEASE READ this sheet prior to assembly to familiarise yourself with the various stages of construction. Carefully open the pack supplied and check the contents against the parts and fittings check list.

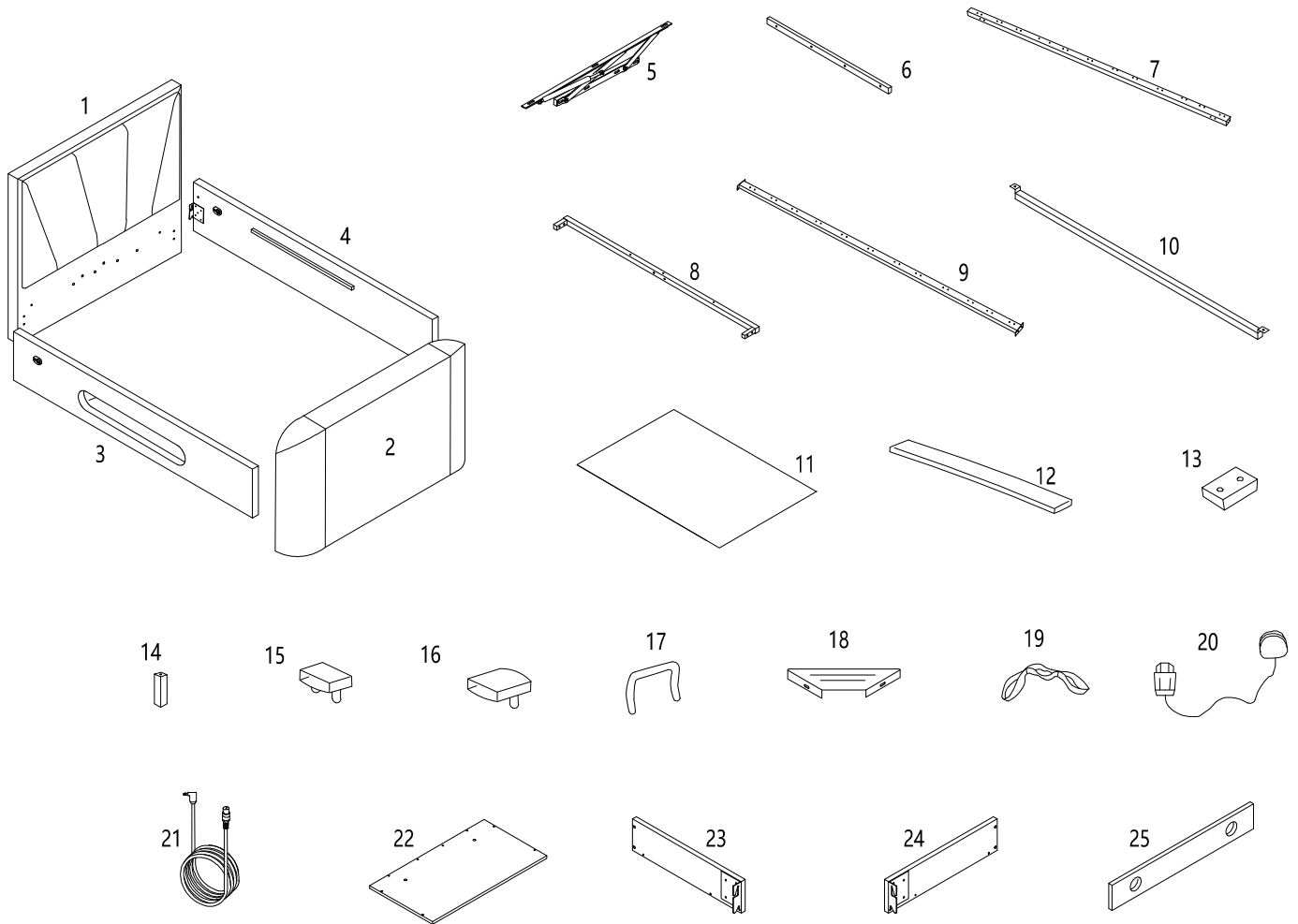
Do not destroy any of the packaging until you are certain that you have all the necessary parts for the assembly.

Please ensure that the packaging is disposed of in a safe environmentally friendly way.

**CAUTION:** There are small components used in the construction of this unit. These loose items should be kept away from young children during assembly, to avoid the danger of choking.

**IMPORTANT: BEFORE STARTING TO ASSEMBLE THE BED - PLEASE READ THESE INSTRUCTIONS CAREFULLY**

## Parts Identification



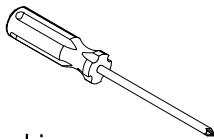
## Parts Checklist

Ref.	Description	Qty	Ref.	Description	Qty
1	Headboard	1	14	Support Drawer Leg	2
2	Footboard	1	15	Single Plastic Cap	28
3	Side Rail (Left)	1	16	Double Plastic Cap	14
4	Side Rail (Right)	1	17	Mattress Stopper	2
5	Lift Up Mechanism	2	18	Metal Corner Plate	4
6	Wooden	2	19	Strap	2
7	Metal Frame Long	2	20	Main Power Lead	1
8	Metal Frame Short	2	21	Aerial Lead 4 meter	1
9	Support Bar	1	22	Bottom Drawer Panel	1
10	Horizontal Support Bar	1	23	Side Drawer Panel (L)	1
11	Non Woven Fabric	1	24	Side Drawer Panel (R)	1
12	Slats	28	25	Back Drawer Panel	1
13	Feet	4			

## Fittings Checklist

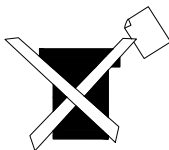
Code	Description	Qty	Code	Description	Qty
A	Bolt (M8x20mm)	x14	I	Allen Key M4	x1
B	Bolt (M8x30mm)	x12	J	Allen Key M5	x1
C	Bolt (M8x40mm)	x8	K	Spanner M14	x1
D	Bolt (M8x45mm)	x6	L	Screw (M5x40mm)	x8
E	Bolt (M6x30mm)	x8	M	Screw (M5x50mm)	x11
F	Nut (M8x13mm)	x6	N	Screw (M5x50mm)	x11
G	Bolt (M6x15mm)	x4	O	Bolt (M8x25mm)	x2
H	Flat Washer $\varnothing$ 17x8mm)	x4	P	Non-slip Pad	x1

## Additional Tools Required



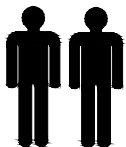
Cross-head Screwdriver

## General Hints & TIPS



Please retain your assembly instruction and tools provided for future use.  
Periodically check that all bolts are still tight.

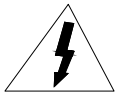
Assembly requires two persons.



1.5 HOUR

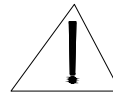
Approximate time to assemble this product

# IMPORTANT SAFETY INSTRUCTIONS

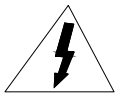


## WARNING

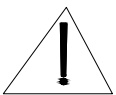
RISK OF ELECTRIC SHOCK  
DO NOT OPEN



CAUTION: TO REDUCE THE RISK OF ELECTRIC SHOCK, DO NOT REMOVE COVER (OR BACK). NO USER - SERVICEABLE PARTS INSIDE. REFER SERVICING TO QUALIFIED SERVICE PERSONNEL.



The lightning flash with arrowhead symbol, within an equilateral triangle, is intended to alert the user to the presence of uninsulated "dangerous voltage" within the product's enclosure that may be of sufficient magnitude to constitute a risk of electric shock to persons.

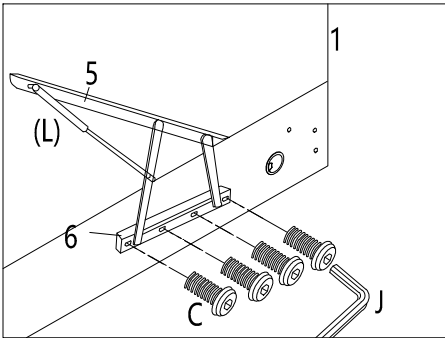
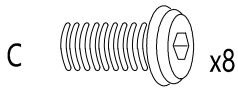


The exclamation point within an equilateral triangle is intended to alert the user to the presence of important operating and maintenance (servicing) instructions in the literature accompanying the appliance.

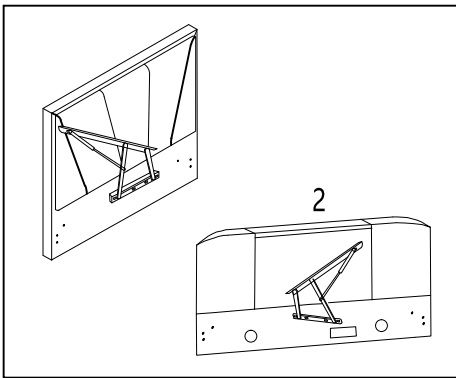
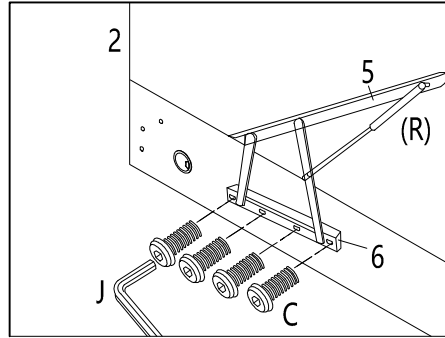
1. Read these instructions.
2. Keep these instructions.
3. Heed all warnings.
4. Follow all instruction.
5. Do not use this apparatus near water.
6. Clean only with dry cloth.
7. Do not block any ventilation openings. Install in accordance with the manufacturer's instructions
8. Protect the power cord from being walked on or pinched particularly at plugs, convenience receptacles, and the point where it exit from the apparatus
9. Only use attachment / accessories specified by the manufacture.
10. Unplug this apparatus during lightning storms or when unused for long periods of time
11. Refer all servicing to qualifide service personnel. Servicing is required when the apparatus has been damaged in any way, such as does not operate normally.
12. Warning to reduce the risk of electric shock, do not expose this apparatus near moisture.
13. The mains plug is used as the disconnect device, the disconnect device shall remain readily operable.
14. Unplug this apparatus when the apparatus has been damaged, then refer all servicing to Professional.

# Assembly

## Stage 1

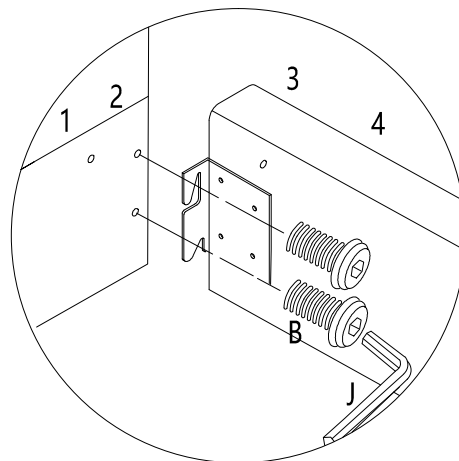
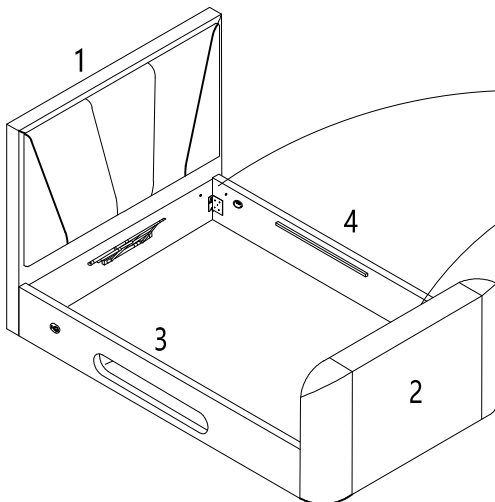
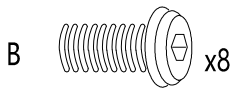


&



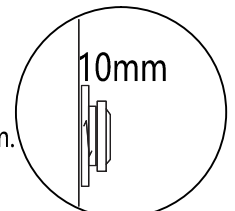
The metal frame base can be chosen to open left or right, and the gas lift mechanism can be installed left or right according to requirements.

## Stage 2



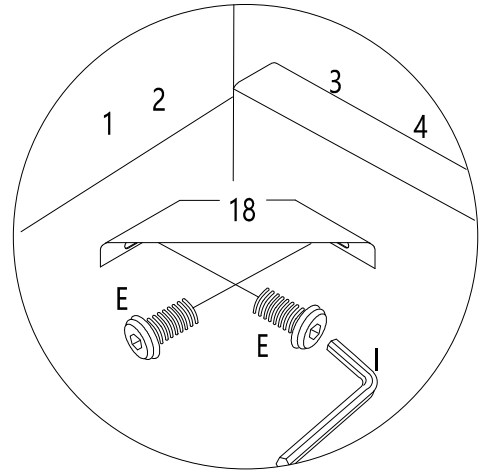
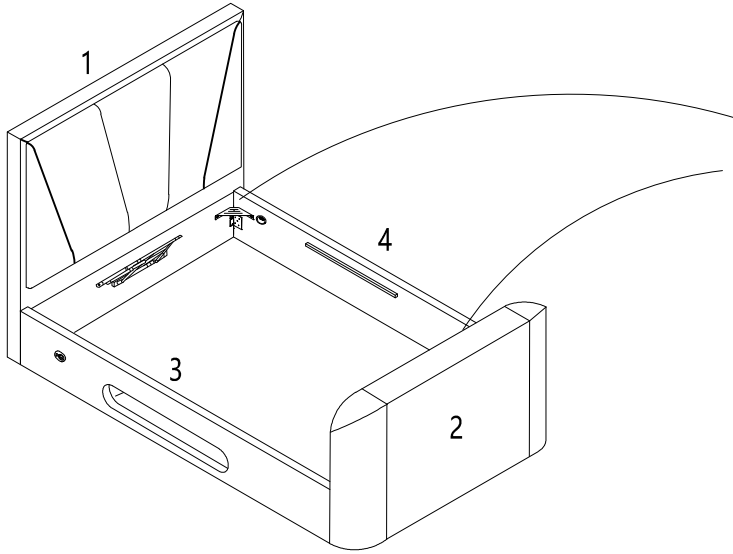
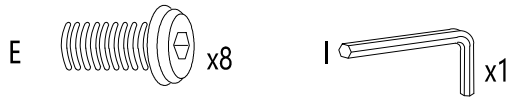
PLEASE DO NOT TIGHTEN ANY BOLTS YET.

Note: Do not tighten fully but leave 10mm protruding as in the diagram.

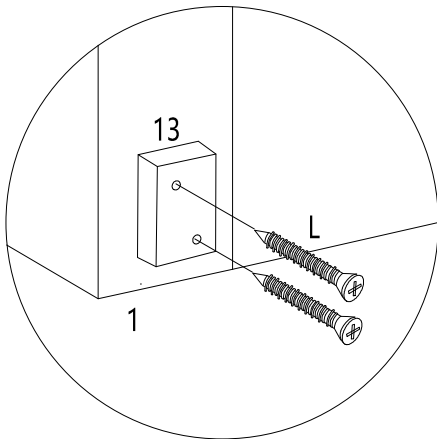
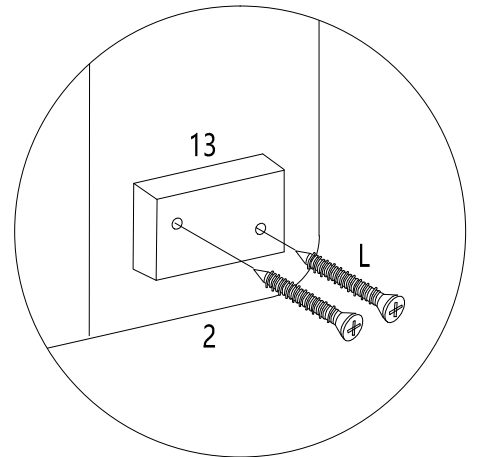
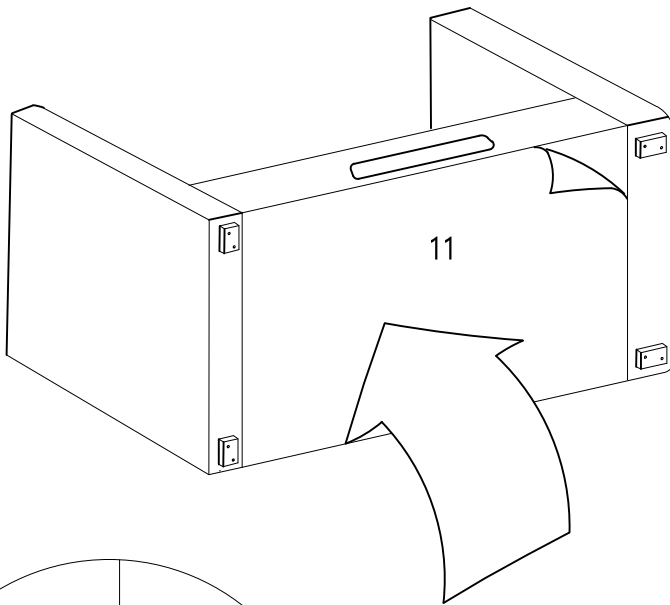


# Assembly

Stage  
3

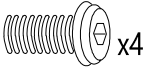



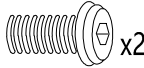


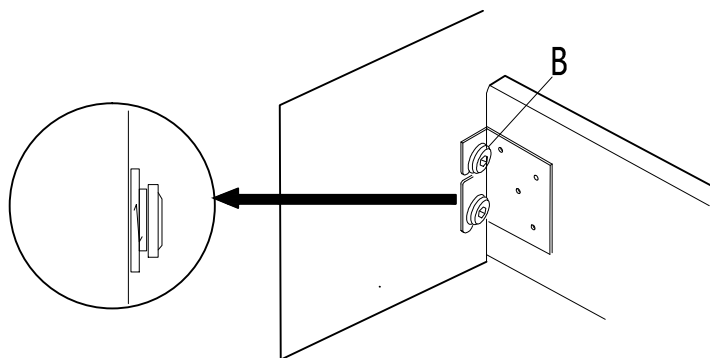
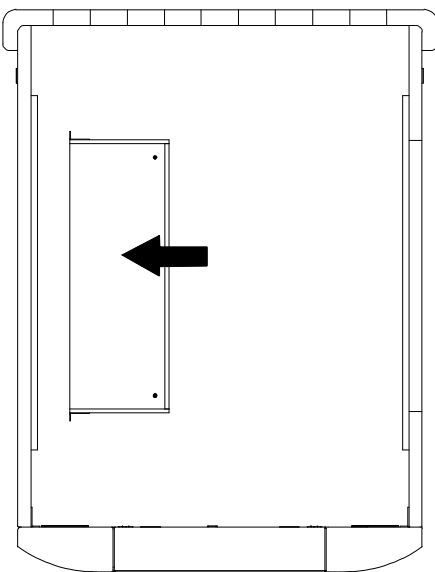
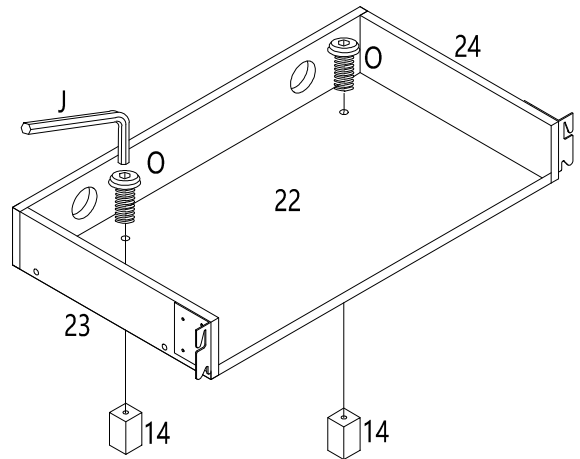
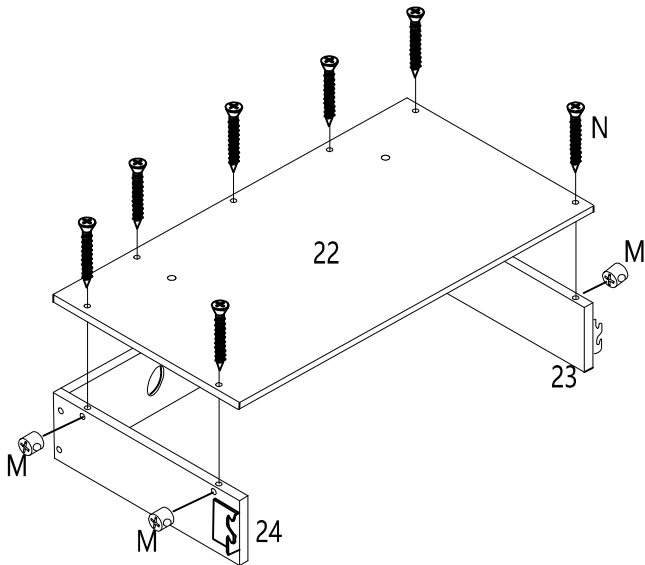
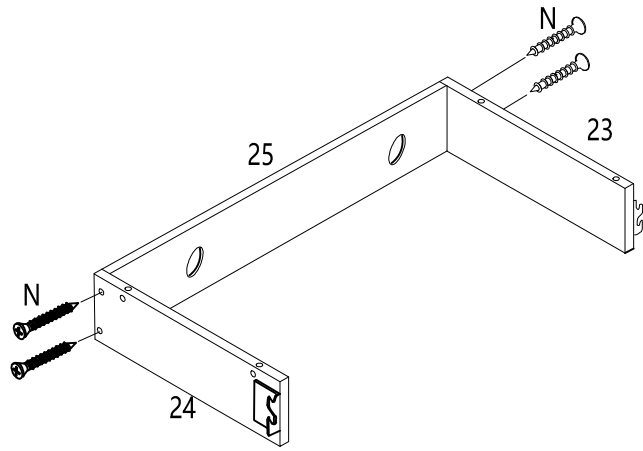
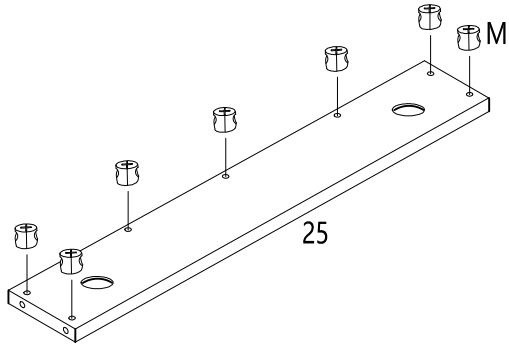
Stage  
4



# Assembly

Stage  
5

B  x4 J  x1 M  x11 N  x11 O  x2



Push bolts (B) through spring Hold tray firmly against side panel (3) as shown and screw in x4 bolts.

When all screwed in place, tighten bolts 100%.

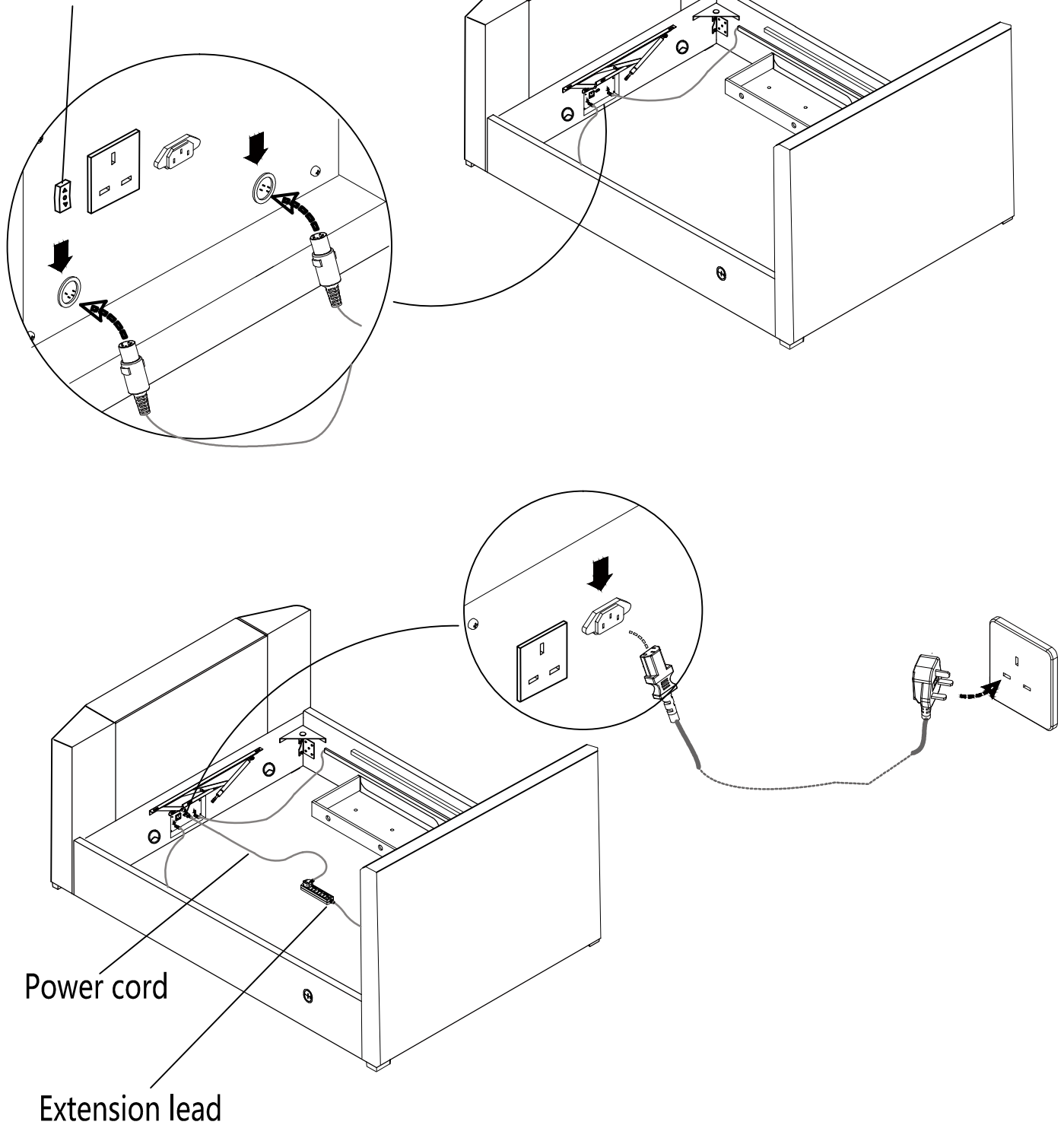
# Assembly

## Stage 6

Connect the TV lift up Power cord from the control box to the main power supply (extension lead might be needed).

The main power supply must be fully earthed and be easy to reach if you need to disconnect the power.

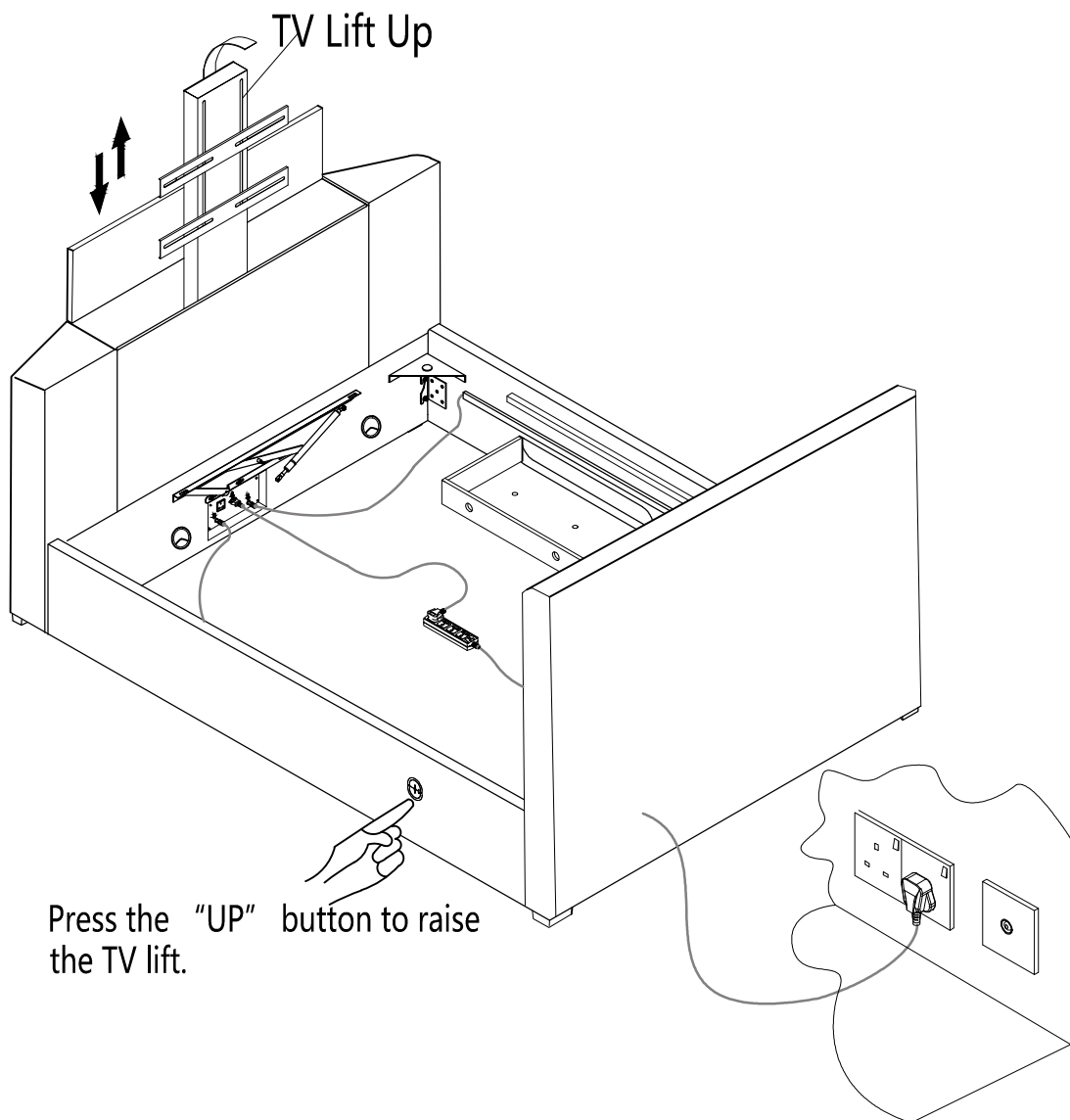
There is a spare button on the black control box that can be used when the side rail button is unusual.





# Assembly

Stage  
7



Press the "UP" button to raise the TV lift.

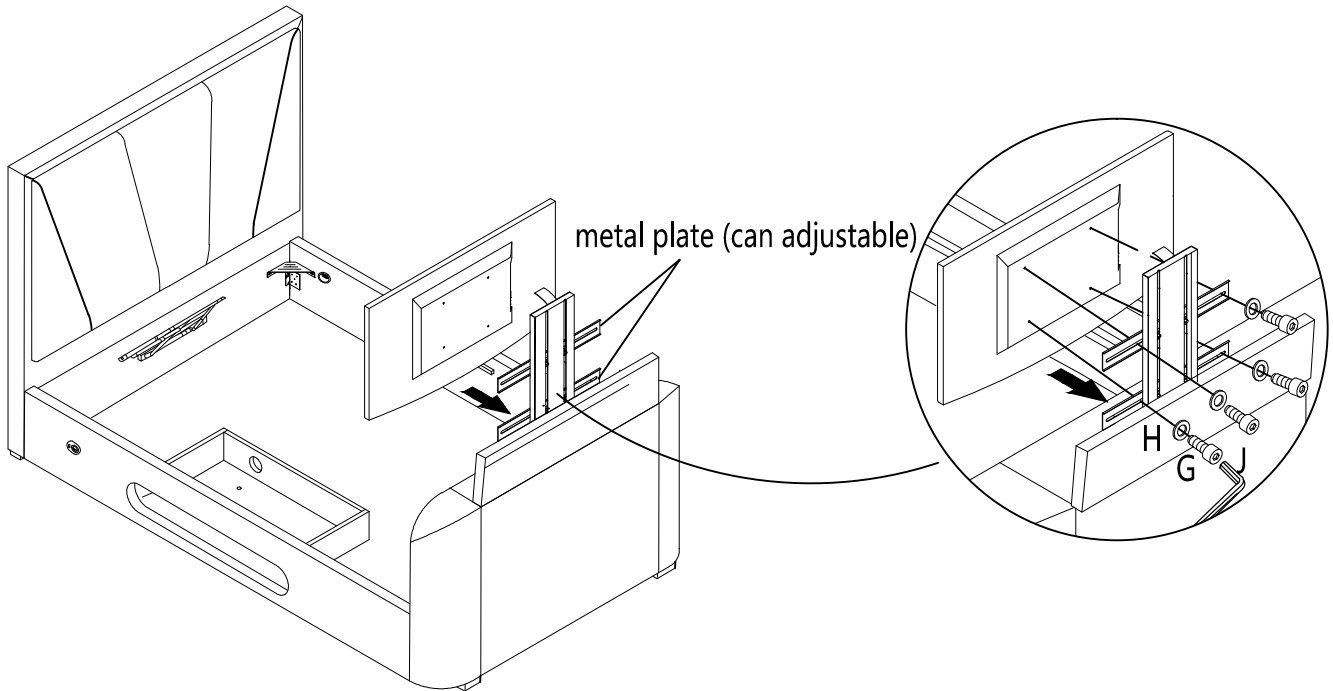
Connect the cables to the television & media equipment make sure the cables are not loose. If necessary use cable ties & cable clips to route cable safely.

When the TV is lowered, power for TV turns off automatically.  
When the TV is raised, power turns back on automatically

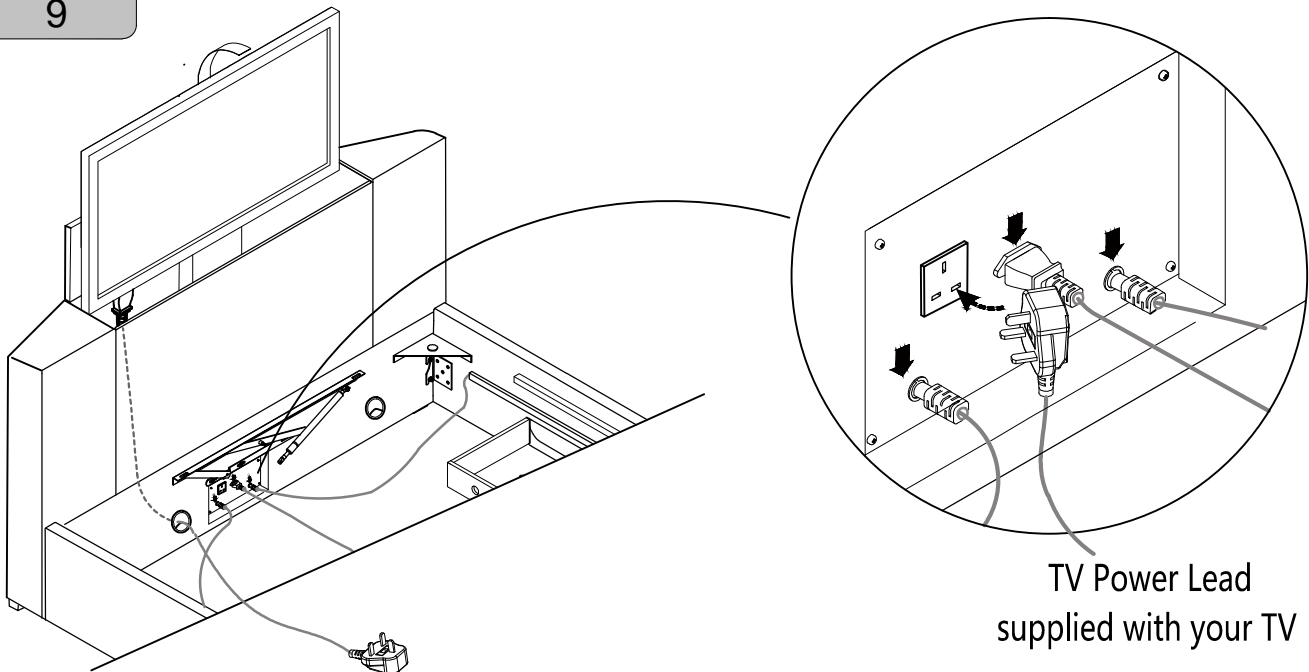
# Assembly

Stage  
8

G  x4    H  x4    J  x1



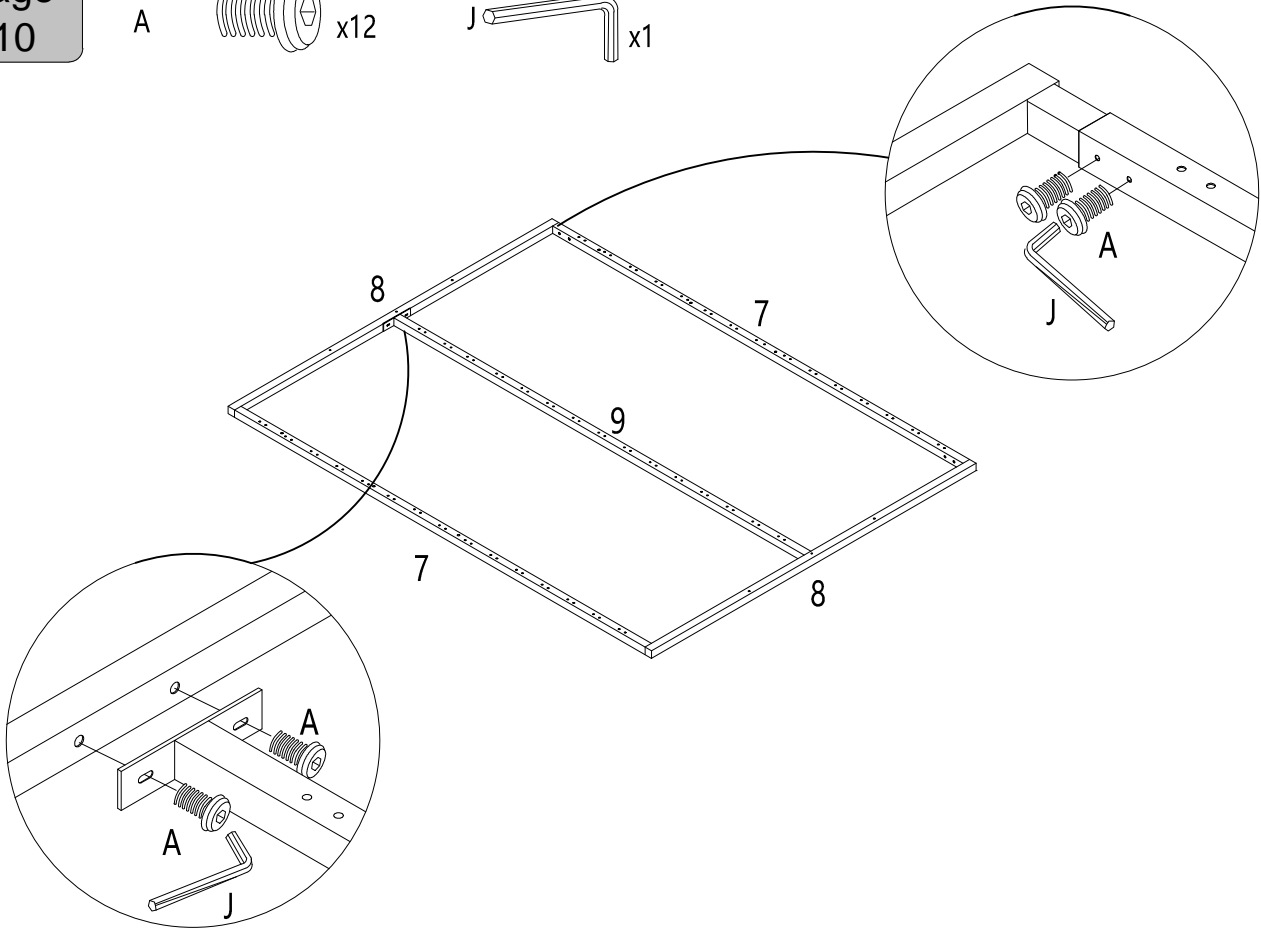
Stage  
9



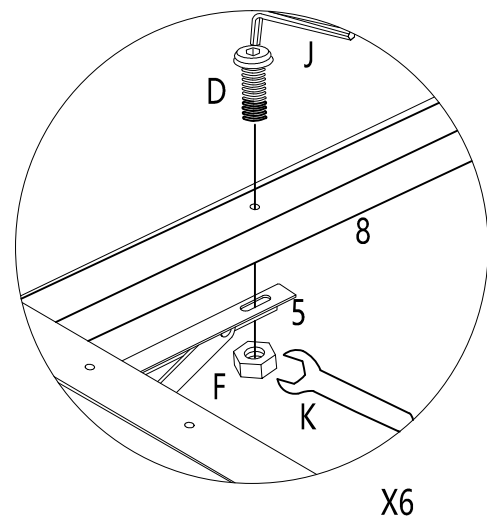
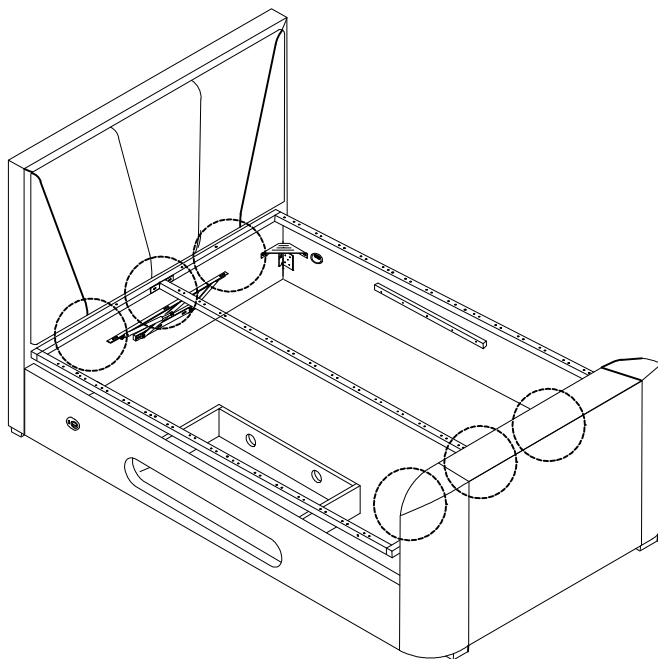
Note: For illustration purposes only, TV connections may vary.

# Assembly

Stage  
10

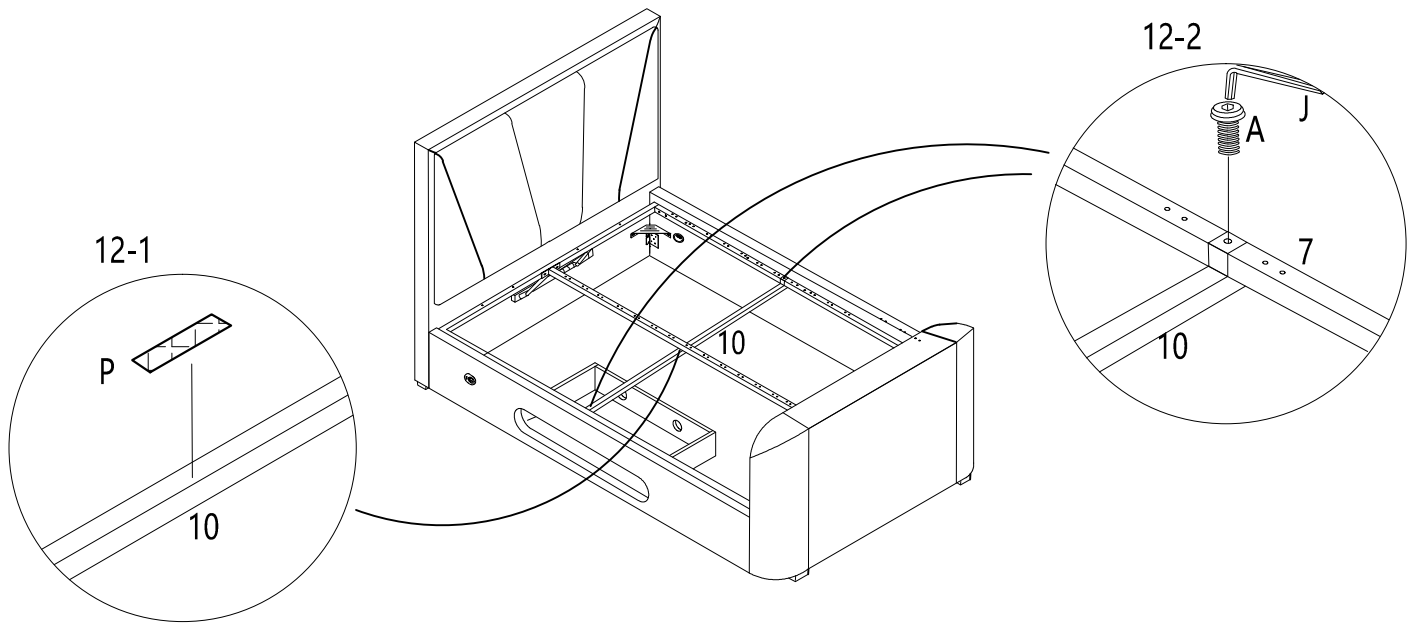
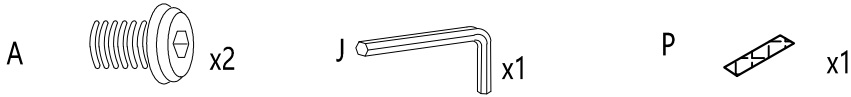


Stage  
11



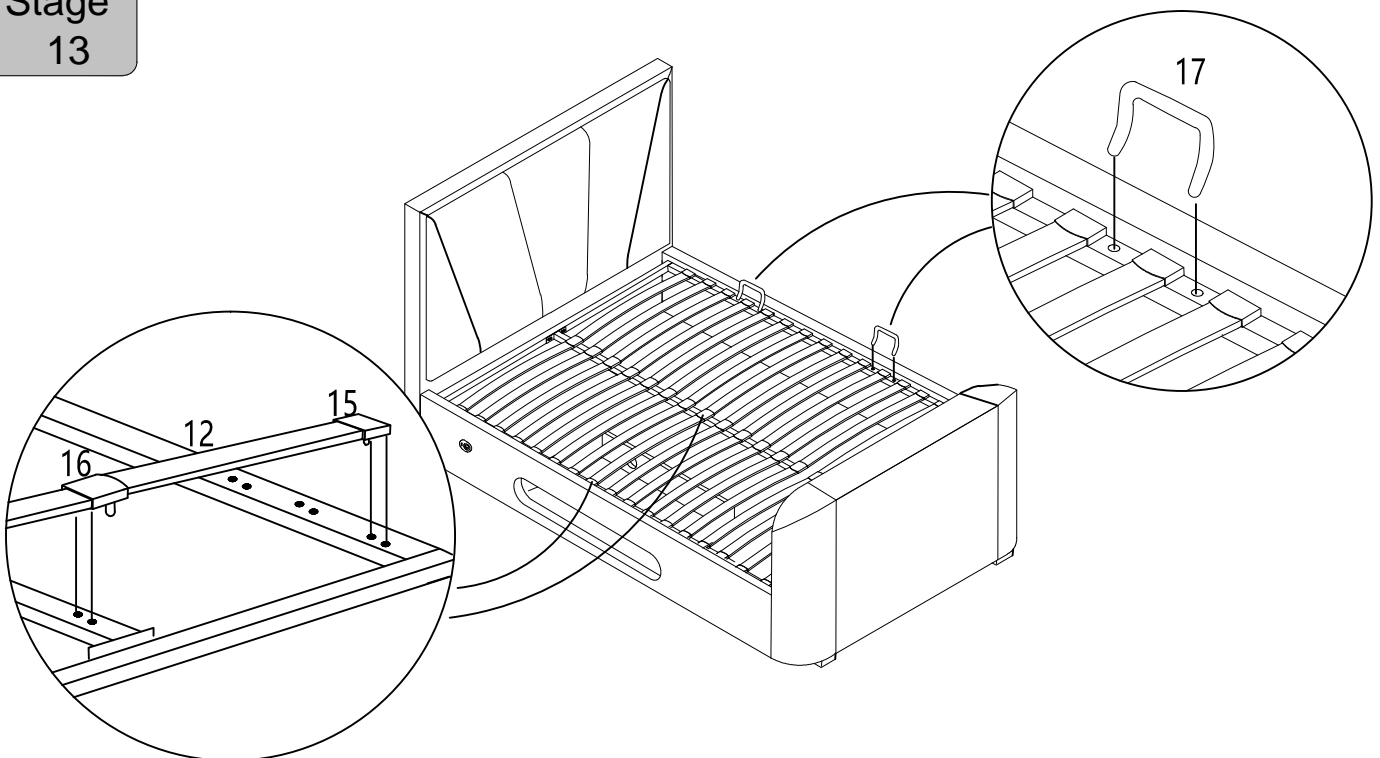
# Assembly

Stage  
12



Please take note, the non-slip pad (Part P) should stick in the center of the horizontal support bar (Part 10) which overlaps with support bar (Part 9)

Stage  
13



# Assembly

Stage  
14

