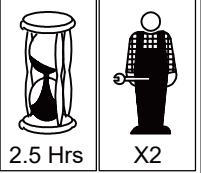




ELEMENTS OTTOMAN TV BED

Assembly Instructions

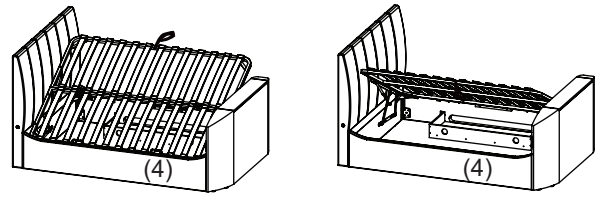
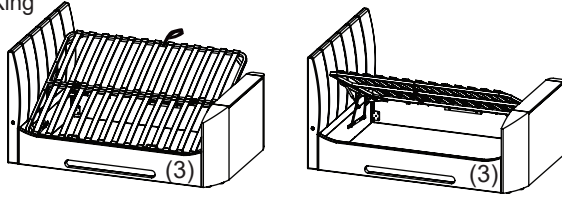
please keep these instructions for future reference.



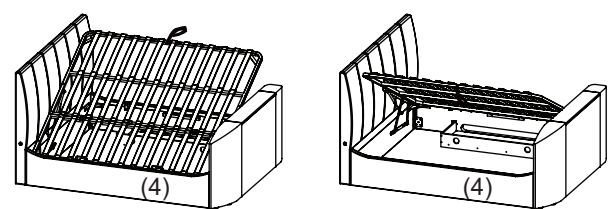
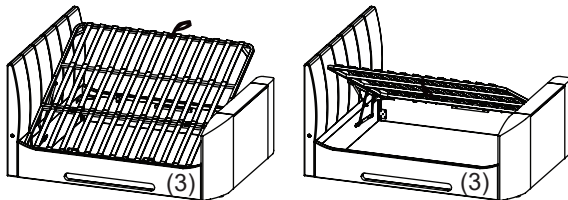
If Media Tray is wanted on left side, fit side rail (3) to left and (4) to right.

If Media Tray is wanted on right side, fit side rail (4) to left and (3) to right

Double & King

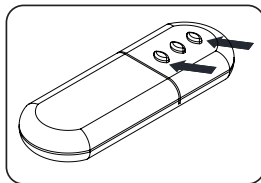


Super King



Important Information

- We suggest you spend a short time reading through this leaflet and then follow the simple step-by-step instructions.
- Carefully check that you have all the parts before beginning assembly.
- Keep fittings out of children's reach and keep children well away from construction area.
- Occasionally you may find the radio wave connection between remote control and TV Lift is lost, probably due to atmospheric conditions. In that case please follow these simple instructions:



- ①. Disconnect all mains electric power to the bed, for at least 60 seconds.
- ②. Press UP or DOWN Button on Remote Control and keep holding button down, simultaneously re-connect mains electric power to bed keeping button down for at least a further 5 seconds. TV Lift unit receives signal from Remote Control and lift will begin to move UP or DOWN whichever direction is appropriate.
- ③. Re-connection is now completed.

Product Information

- Upholstered Bed Bed conforms to BS EN 1725 & BS 5852.
- TV Lift system has a maximum load capacity of 14 Kg
- Compatible with slimline LED television with a screen size of 42"
- Maximum TV dimensions: W98 x H58 x D8cm

Care Instructions

- Avoid exposing the furniture to excessive heat or direct sunlight as this can cause cracking and deterioration of the colour.
- Periodically check & re-tighten any fastener.
- Periodically dust lightly with a light vacuum cleaner, or if PU, wipe with a clean damp cloth.
- Do not use silicone based furniture polish.
- Any spills should be removed immediately with a soft damp cloth.
- TAKE CARE WHEN MOVING THE FURNITURE AND NEVER DRAG THE PIECES ACROSS THE FLOOR, AS THIS WILL CAUSE DAMAGE TO THE JOINTS.

Nestco will not be held responsible for any damage caused to the TV, TV cabling or the TV Bed itself, due to incompatibility of any additional equipment installed by the end-user or due to loose and poorly installed cabling (see Step 10). Please read this Assembly Instruction carefully and follow the recommendations.

TV LIFT REF: LA08 CONFORMS TO STANDARD FOR UK & LED CONFORMS TO STD FOR UK (EMC, LVD & ROHS)

TV LIFT: EN 60335-1:2012+A11: 2014
 EN 60950-1:2006+A11:2009+A1:2010
 +A12:2011+A2: 2013
 EN 301 489-1 V2.2.0: 2017
 EN 301 489-3 V2.1.1: 2017
 EN 55014-1:2006+A1:2009+A2:2011
 EN 61000-3-2: 2014
 EN 62233: 2008
 EN 300 440 V2.1.1: 2017 EN 301 489-3
 V2.1.1: 2017 EN 62479: 2010
 EN 55014-2: 2015
 EN 61000-3-3: 2013

LED LIGHT STRIP: FDL037-60

EMC CERT NO. HTT170911240E
 LVD CERT NO. HTT170911240L
 ROHS CERT NO. HTT170911240R

DIRECTIVE: 2014/30/EU
 DIRECTIVE: 2014/35/EU
 DIRECTIVE: 2011/65/EU

POWER SUPPLY: FDD-009

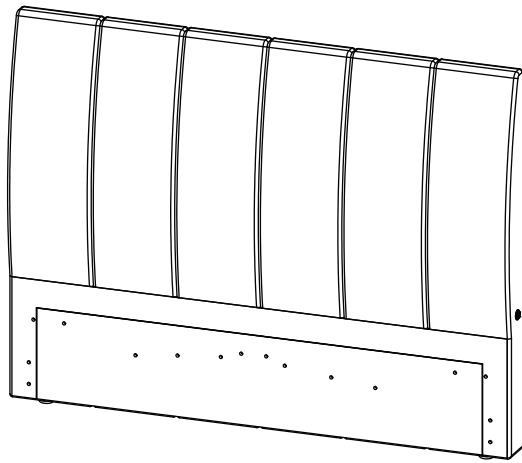
EMC CERT NO. BST14010531Y-1EC-1
 LVD CERT NO. BST14010531Y-1SC-2
 ROHS CERT NO. BST14010531Y-1RC-4

DIRECTIVE: 2004/108/EC
 DIRECTIVE: 2006/95/EC
 DIRECTIVE: 2011/65/EU

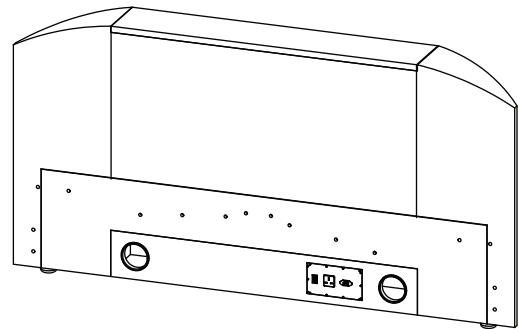
CARTON 1 - HEADBOARD

CARTON 2 - FOOTBOARD

(1) Headboard



(2) Footboard

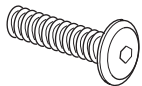


The following items are in an accessory box, inside the TV Compartment within the Footboard

Hardware Pack for Bed Assembly

Hardware Pack for Media Tray Assembly

A x24



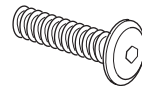
Bolts (M8x30mm) for fitting side rails (3&4) to headboard & footboard (1&2)

B x24



Spring Washers (for M8 bolts)

A x4



Bolts (M8x30mm) for fitting Media Tray to side rail (3)

C x4



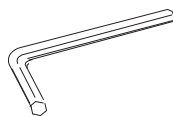
Flat Washers (for M8 bolts)

C x24



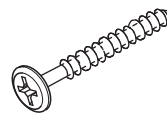
Flat Washers (for M8 bolts)

D x1



Allen Key (5mm for M8 bolt)

E x11



Screws (5x50mm) for assembling Media Tray panels

F x11

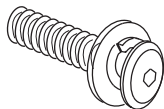


Plastic Barrel Nuts for assembling Media Tray panels

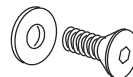
Hardware Pack for TV Installation

a x2

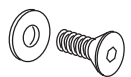
Bolt sets
M8 x 25mm



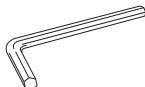
Counter-Sunk Screw sets (M6x12mm)



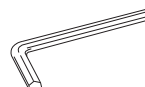
Counter-Sunk screw sets (M4x12mm)



b x1



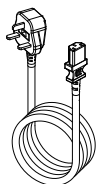
Allen Key (4mm)



Allen Key (2.5mm)

Cables & Accessories for TV Installation

G x1



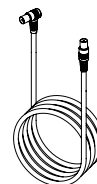
Power Lead - 3 metre

H x2



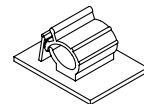
HDMI Leads - 2.8 metre

J x1



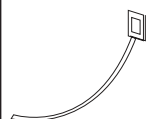
Aerial Lead - 4 metre

K x3



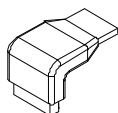
Cable Clips

L x3



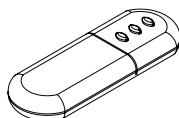
Cable Ties

M x1



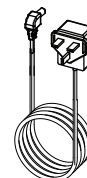
HDMI 90° adaptor

N x1



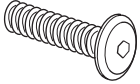



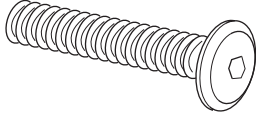

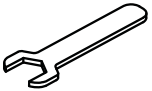
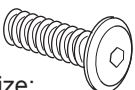

TV Lift Remote Control

P x1



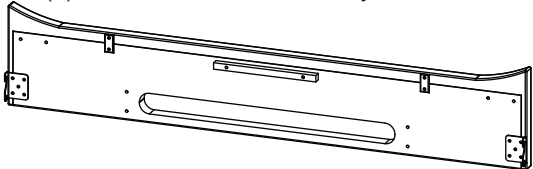
USB Power Supply

HARDWARE PACK FOR ASSEMBLY OF OTTOMAN SLAT FRAME

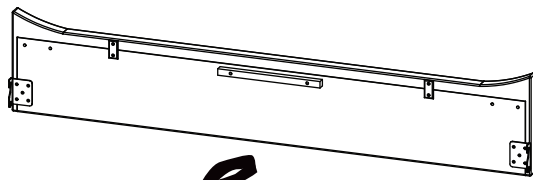
<p>A x8</p>  <p>Fitting gas-lift mechanisms U (a) & U (b) to Headboard & Footboard (1&2)</p>	<p>B x14</p>  <p>Spring Washers for M8 bolts</p>	<p>C DOUBLE & KING x24 SUPER KING x26</p>  <p>Flat Washers for M8 bolts</p>	<p>Q x6</p>  <p>M8 Nuts for slat frame bolts</p>
<p>R x6</p>  <p>Bolts (M8x45mm) for fitting metal slat frame (9 or10) to gas-lift mechanisms (U).</p>	<p>S x2</p>  <p>M8 Flange Lock-Nuts for gas-lift pistons</p>	<p>T x1</p>  <p>Spanner for M8 nuts</p>	
<p>V DOUBLE & KING x4 SUPER KING x6</p>  <p>Double or King size; Bolts M8x20mm for Metal Connection Plates. And for Cross Bar on Super King.</p>	<p>W x2</p>  <p>Metal Connection Plates</p>		

CARTON 3 - SIDE RAILS


(3) Side Rail - With Media Tray x 1



(4) Side Rail - Without Media Tray x 1

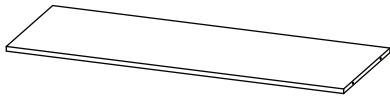


Y x1

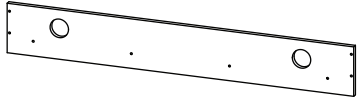
Hand Strap 

CARTON 4 - OTTOMAN SLAT FRAME & MEDIA TRAY

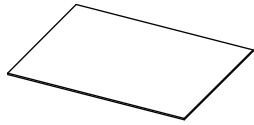
(5) Media Tray Base Panel x 1



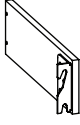
(6) Media Tray Back Panel x 1



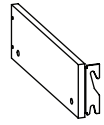
(11) Base Fabric Cover x1



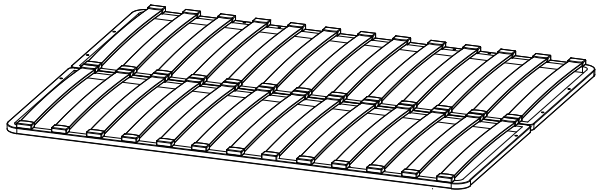
(7) Media Tray Side Panel - L x 1



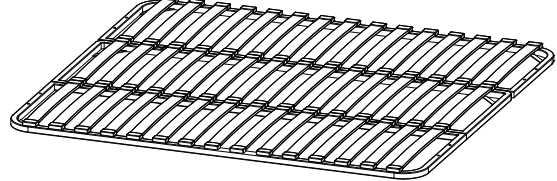
(8) Media Tray Side Panel - R x 1




(9) Double Metal Slat Frame for Double or King Size x1




or (10) Triple Metal Slat Frame for Super-King Size x1




(12) Angle Brackets x4



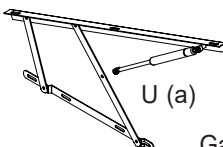
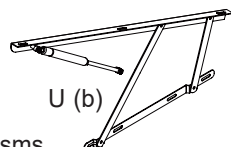
(14) Cross Bar for Super-King Size only x1



(13) Mattress Stoppers x2



U x1 Pr

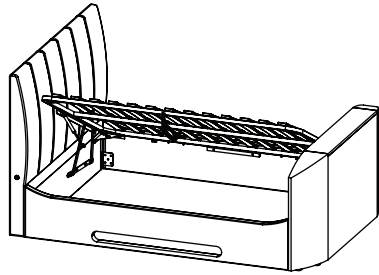
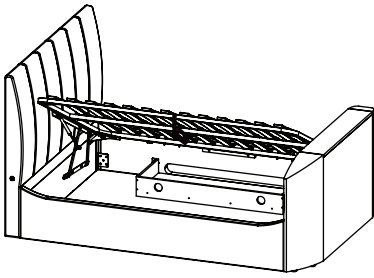
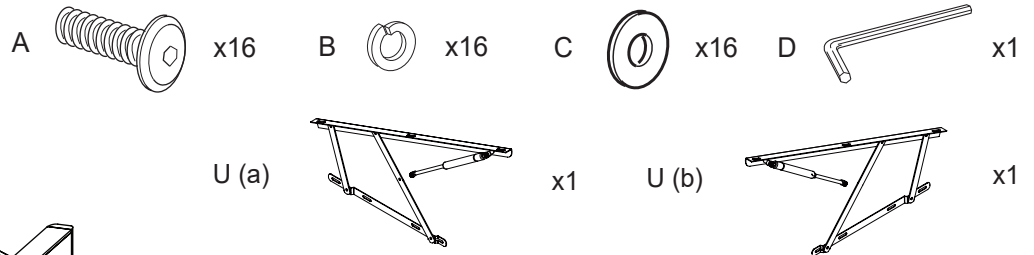
U (a)  U (b) 

Gas-Lift Mechanisms

Step 1a

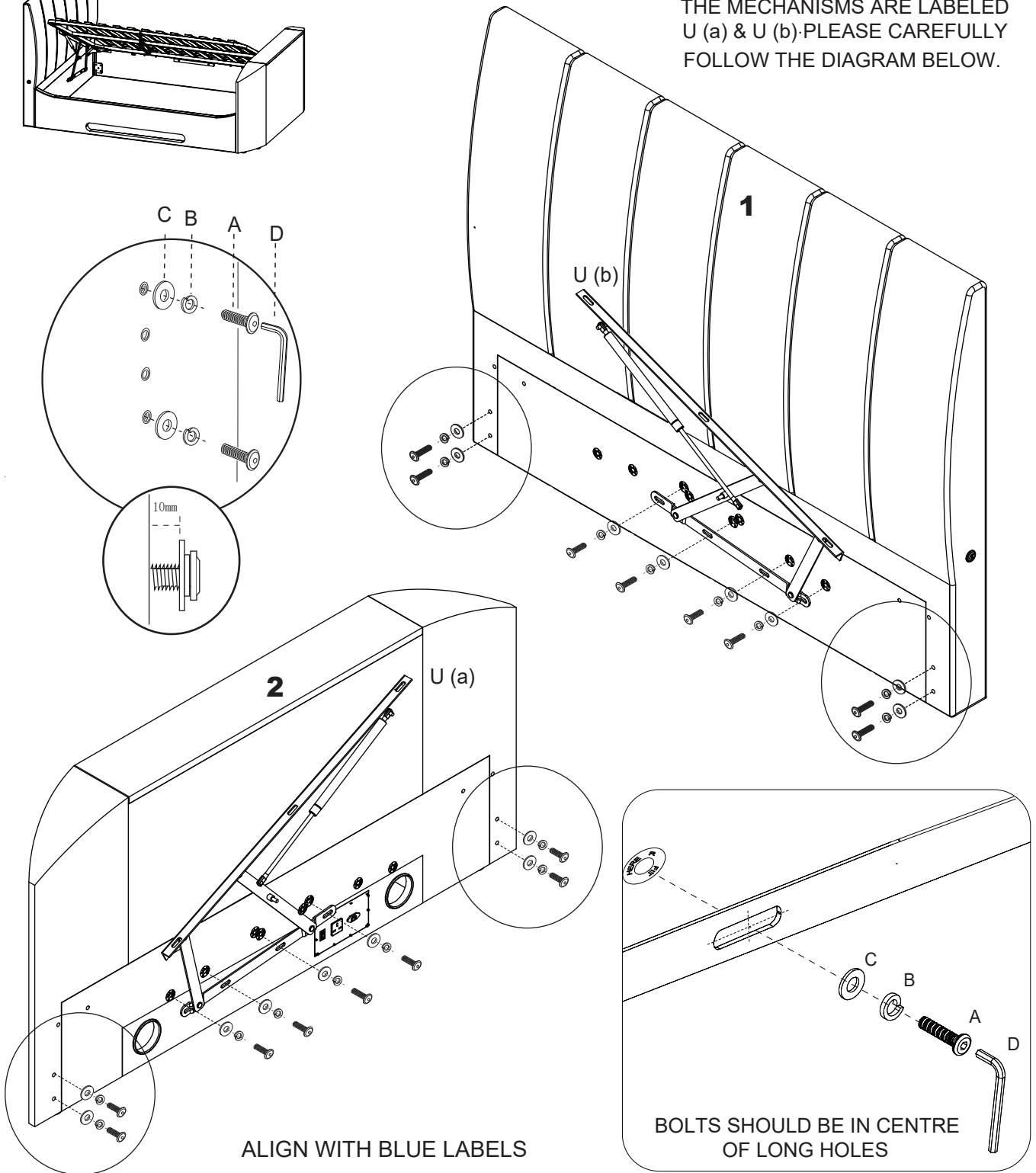
CHOOSE WHICH SIDE YOU WANT TO LIFT UP

OPEN FROM LEFT

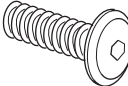





CHECK THIS DIAGRAM AND IF ACCESS IS NEEDED FROM LEFT SIDE OF BED, FIT BOTH LIFT MECHANISMS TO RIGHT SIDE OF THE BED. BOLT INTO THE HOLES MARKED (R) WITH BLUE LABELS.

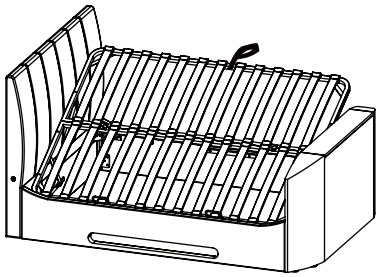
THE MECHANISMS ARE LABELED U (a) & U (b). PLEASE CAREFULLY FOLLOW THE DIAGRAM BELOW.



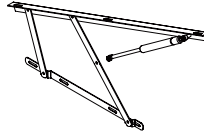
Step 1b

- A  x16 B  x16 C  x16 D  x1

OPEN FROM RIGHT

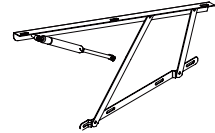


U (a)



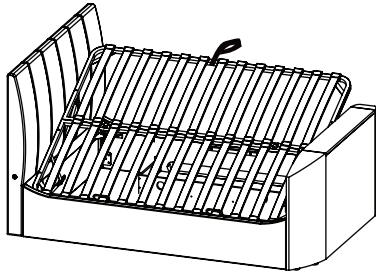
x1

U (b)

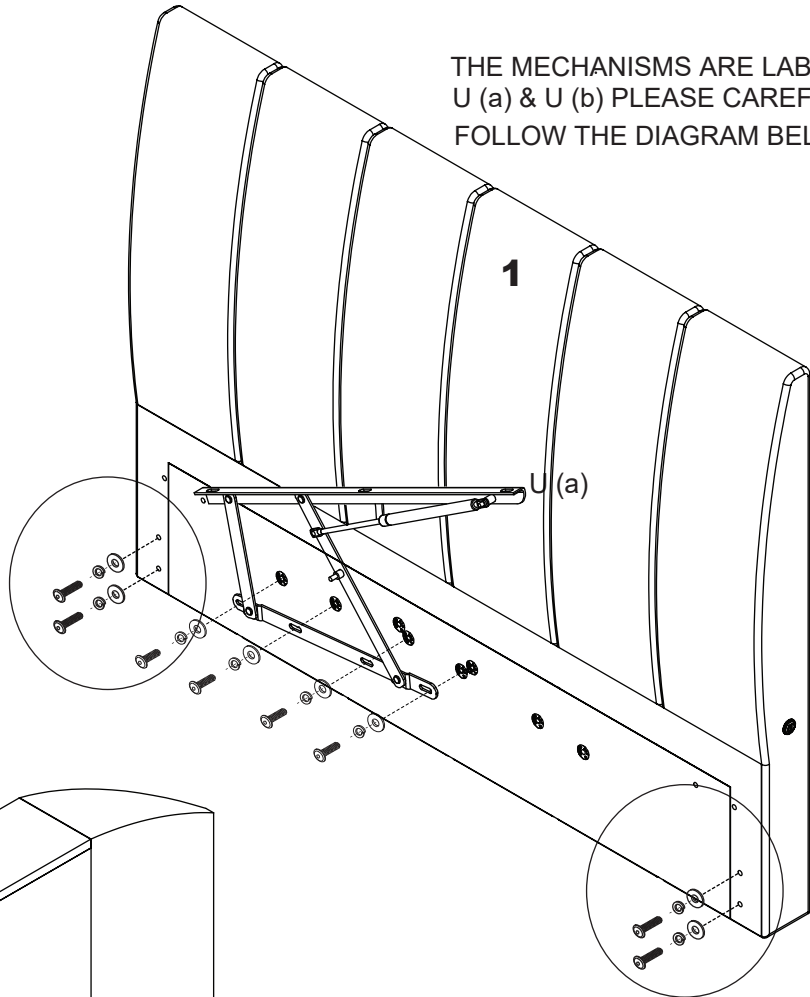
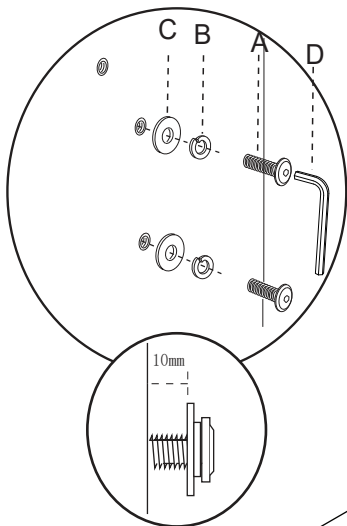


x1

CHECK THIS DIAGRAM AND IF ACCESS IS NEEDED FROM RIGHT SIDE OF BED, FIT BOTH LIFT MECHANISMS TO LEFT SIDE OF THE BED. BOLT INTO THE HOLES MARKED (L) WITH RED LABELS.

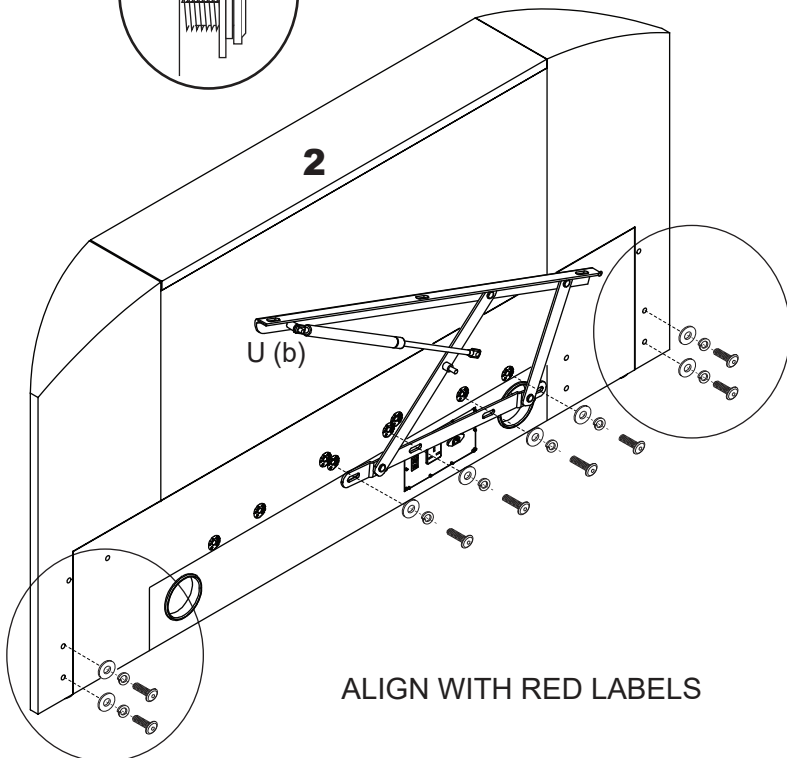


THE MECHANISMS ARE LABELED U (a) & U (b) PLEASE CAREFULLY FOLLOW THE DIAGRAM BELOW.

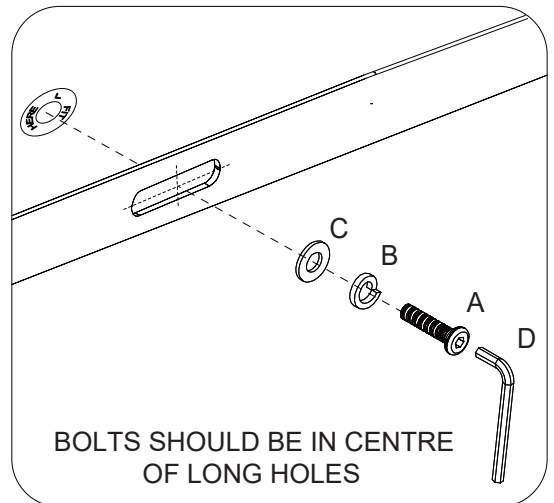


2

U (b)

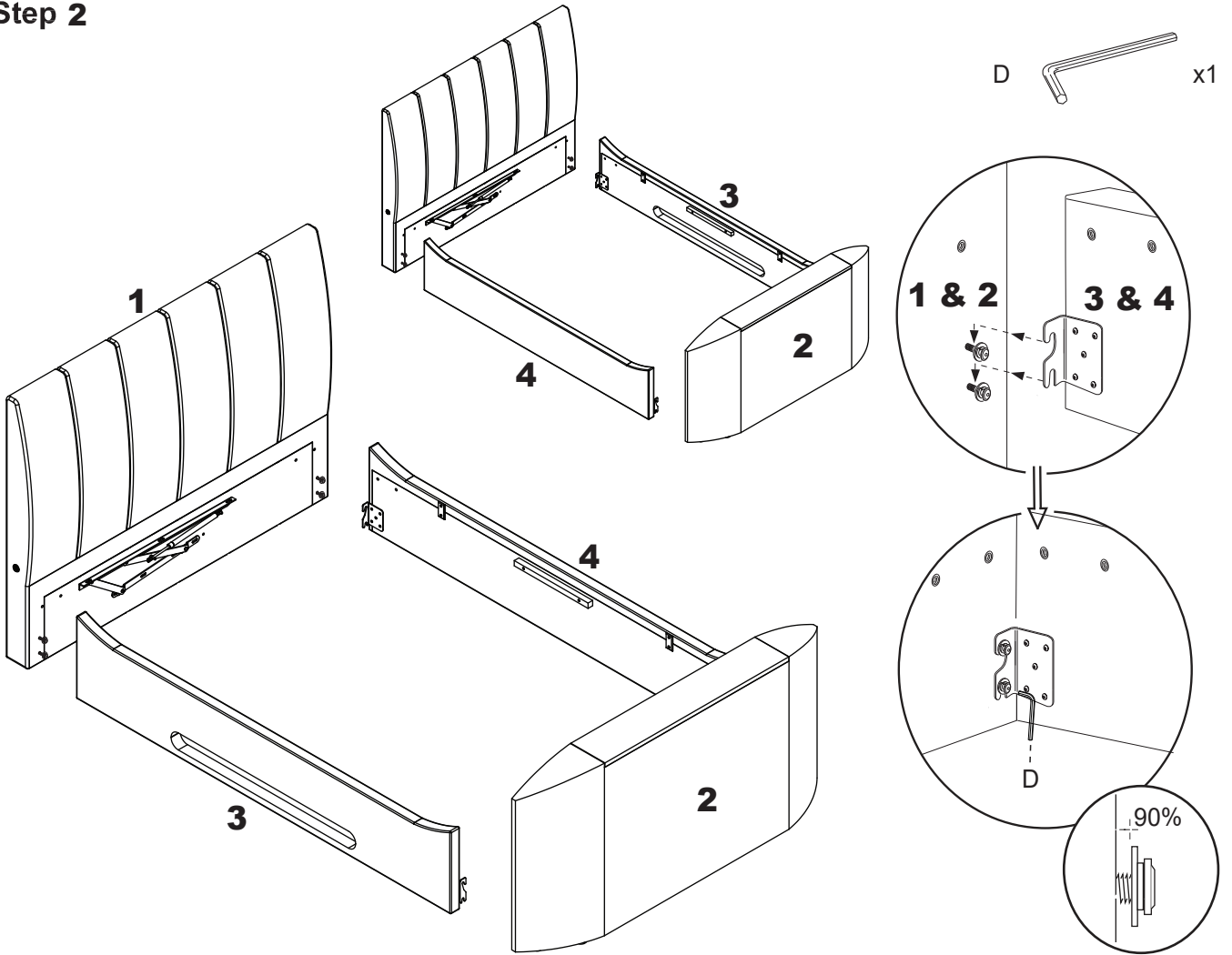


ALIGN WITH RED LABELS

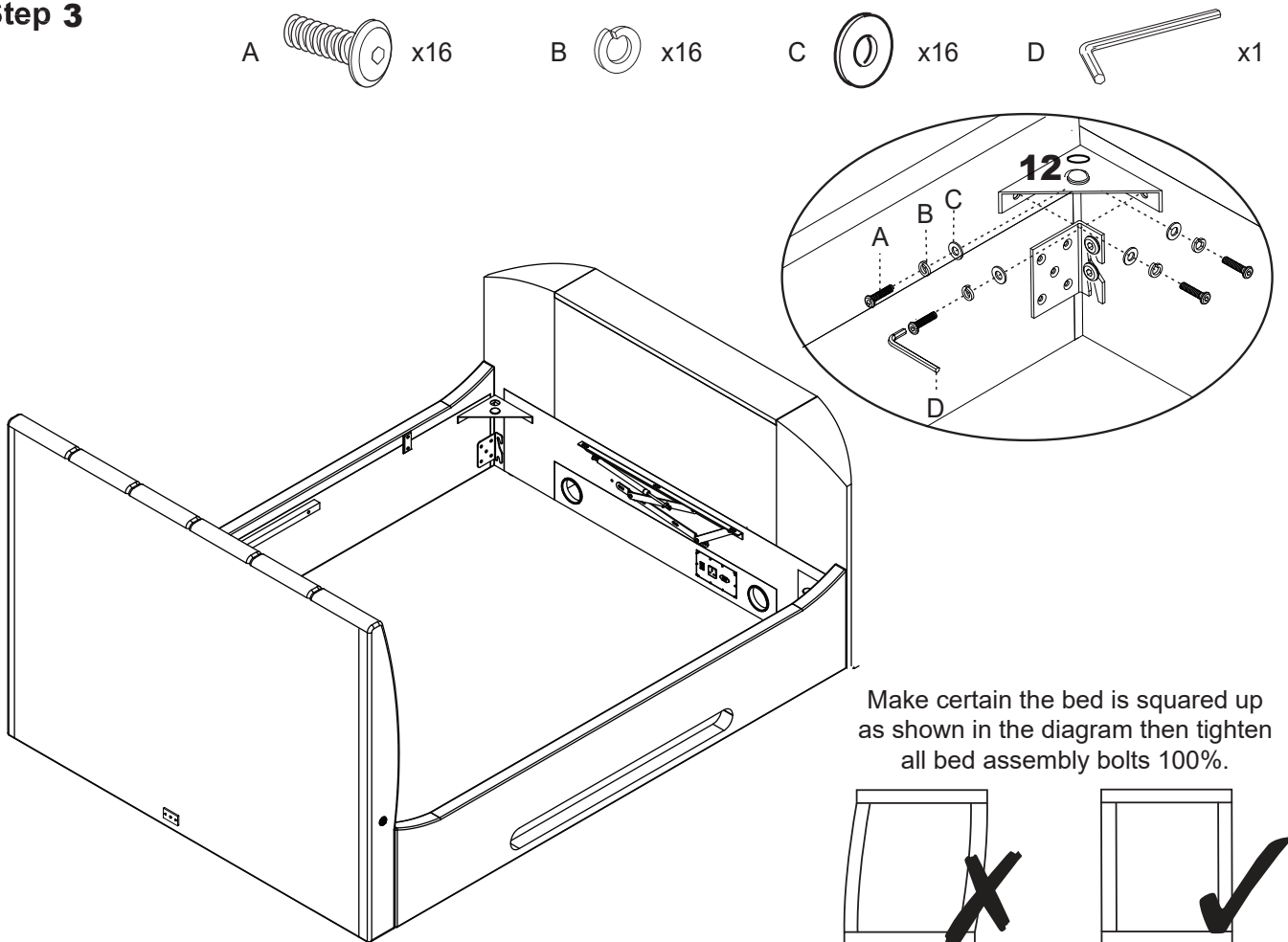


BOLTS SHOULD BE IN CENTRE OF LONG HOLES

Step 2

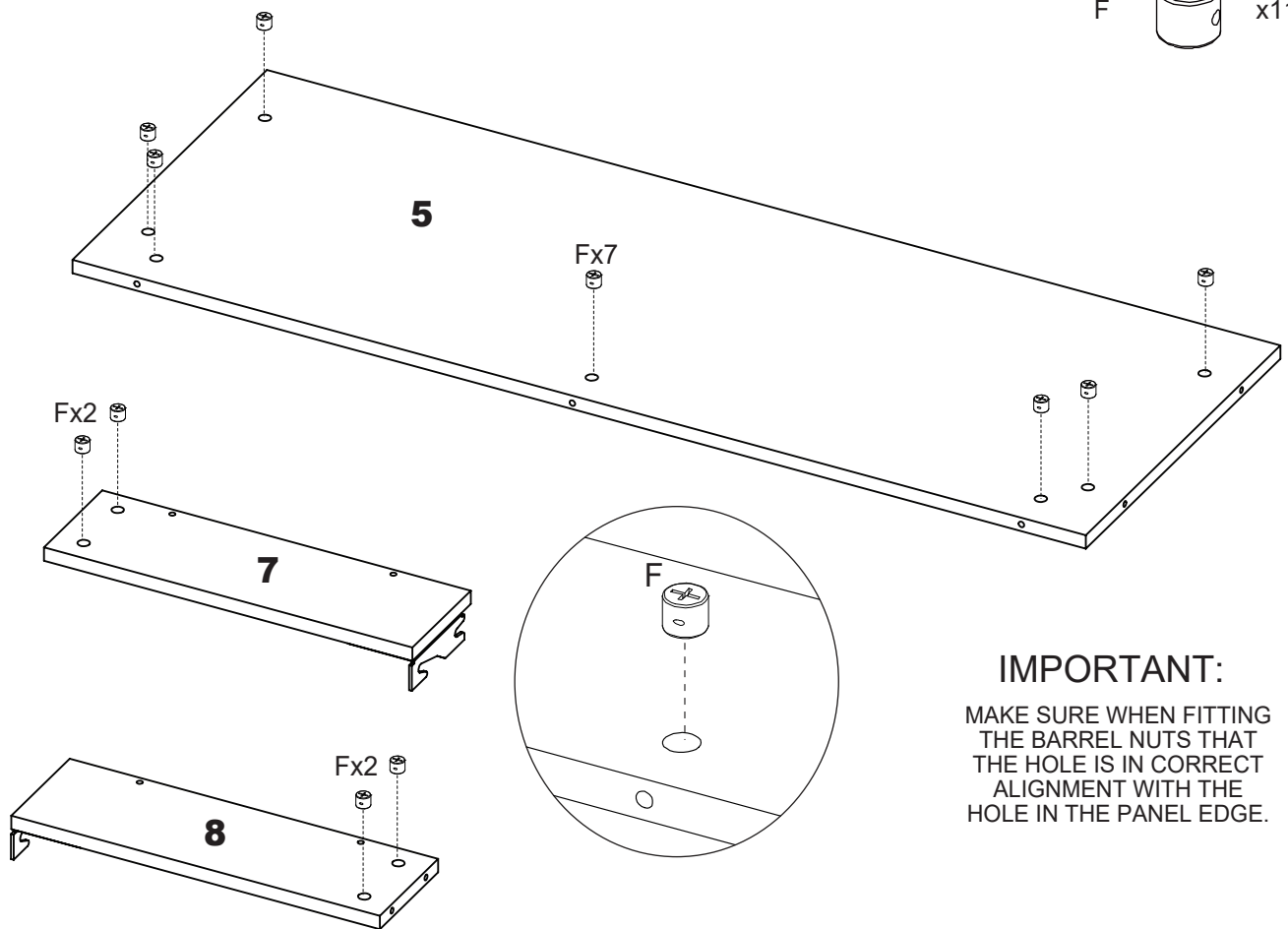


Step 3




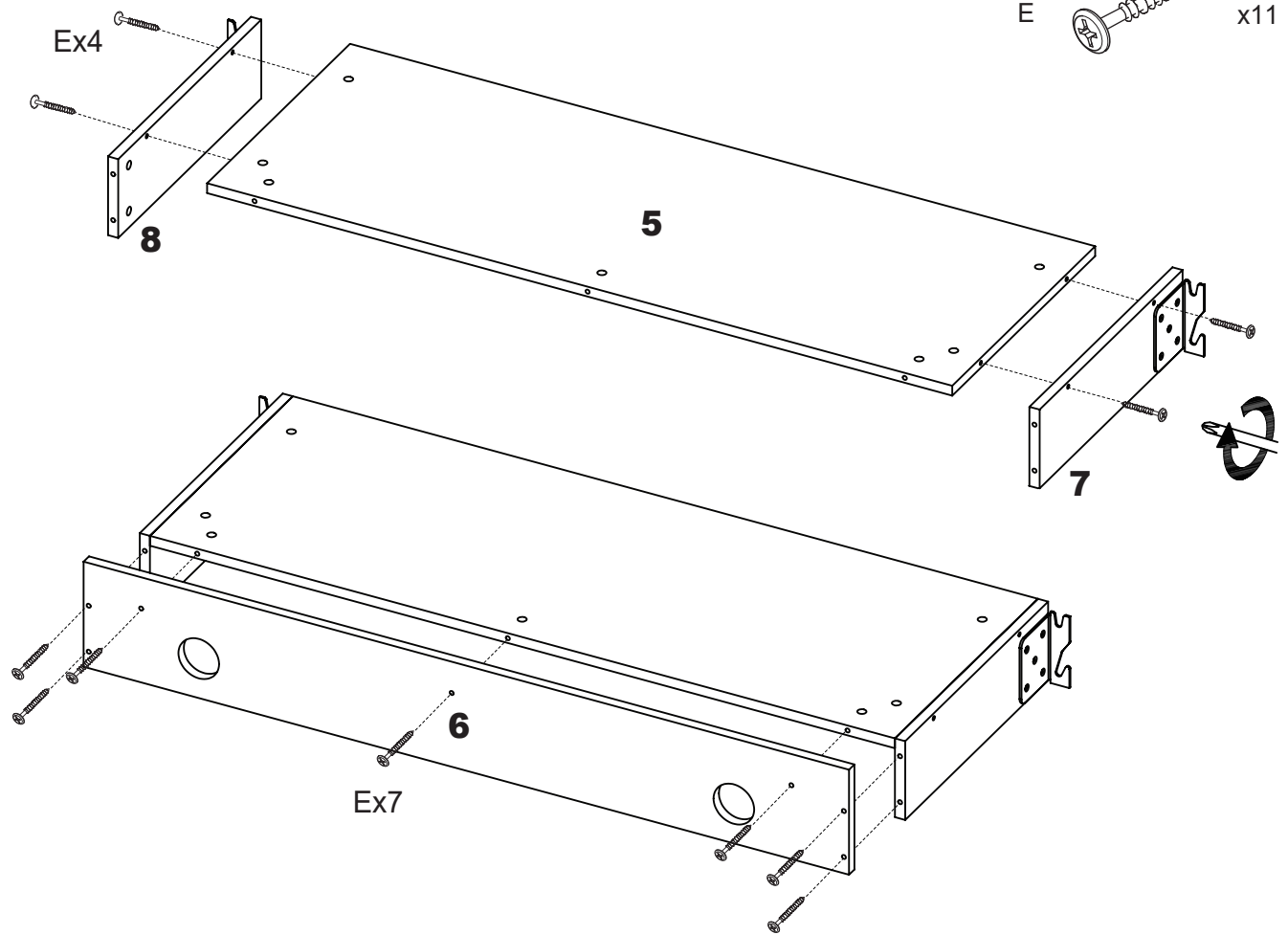
Step 4

F  x11



Step 5

E  x11

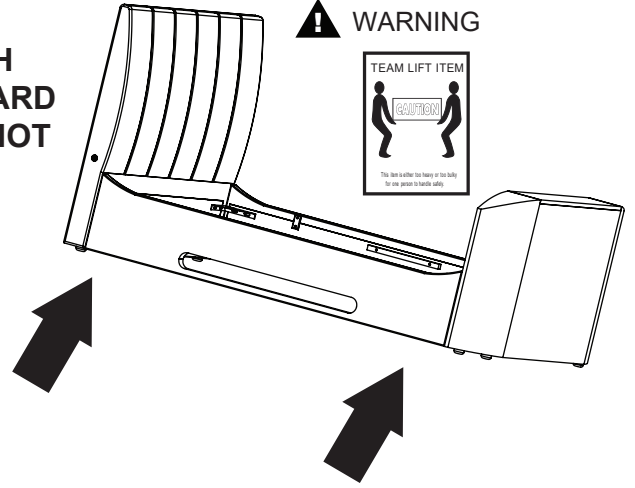
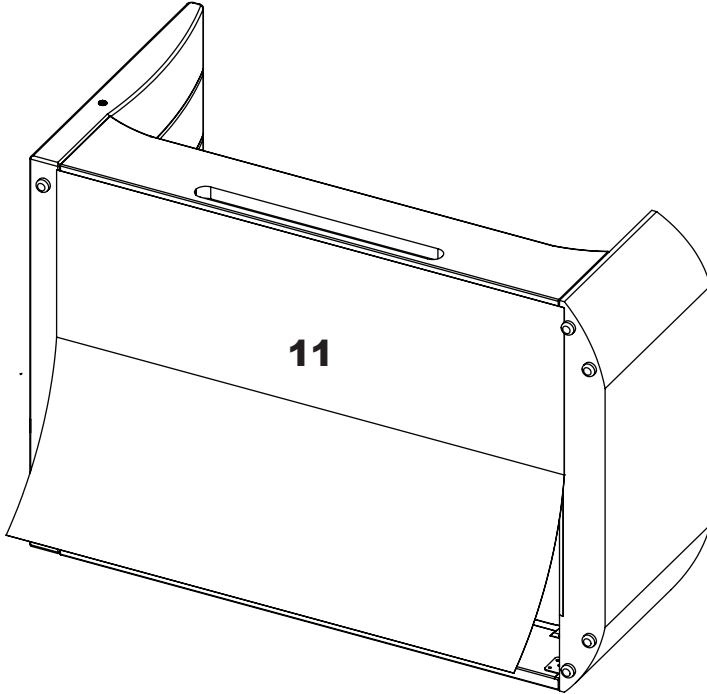


Step 6

⚠ WARNING

**CAREFULLY LIFT BOTH
HEADBOARD & FOOTBOARD
AT THE SAME TIME, DO NOT
LET THE BED TWIST.**

⚠ WARNING

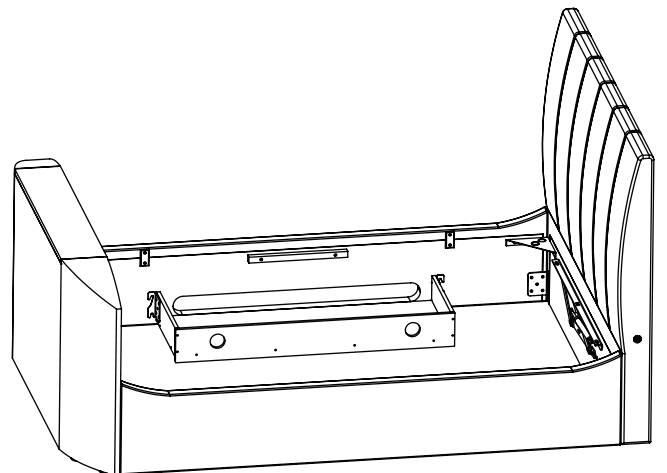
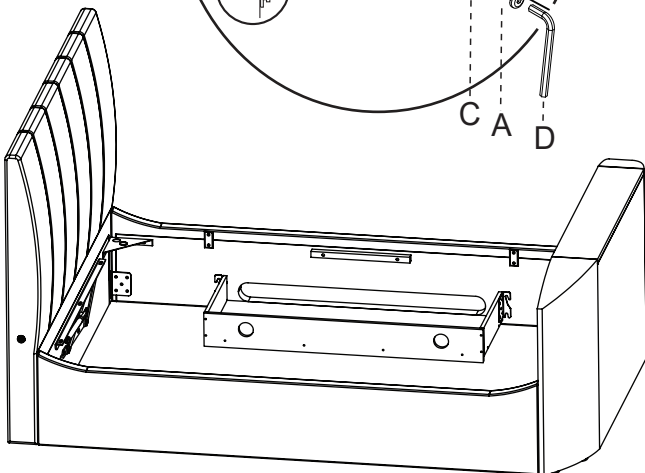
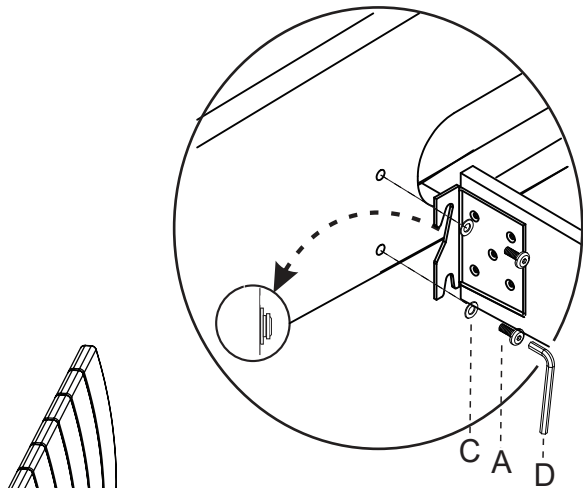


Lift and turn bed on its side and with assistant holding bed upright for safety, attach fabric base Cover (11) to bottom of side rails, headboard & footboard with the velcro tape. Make sure fabric is fixed evenly all round.

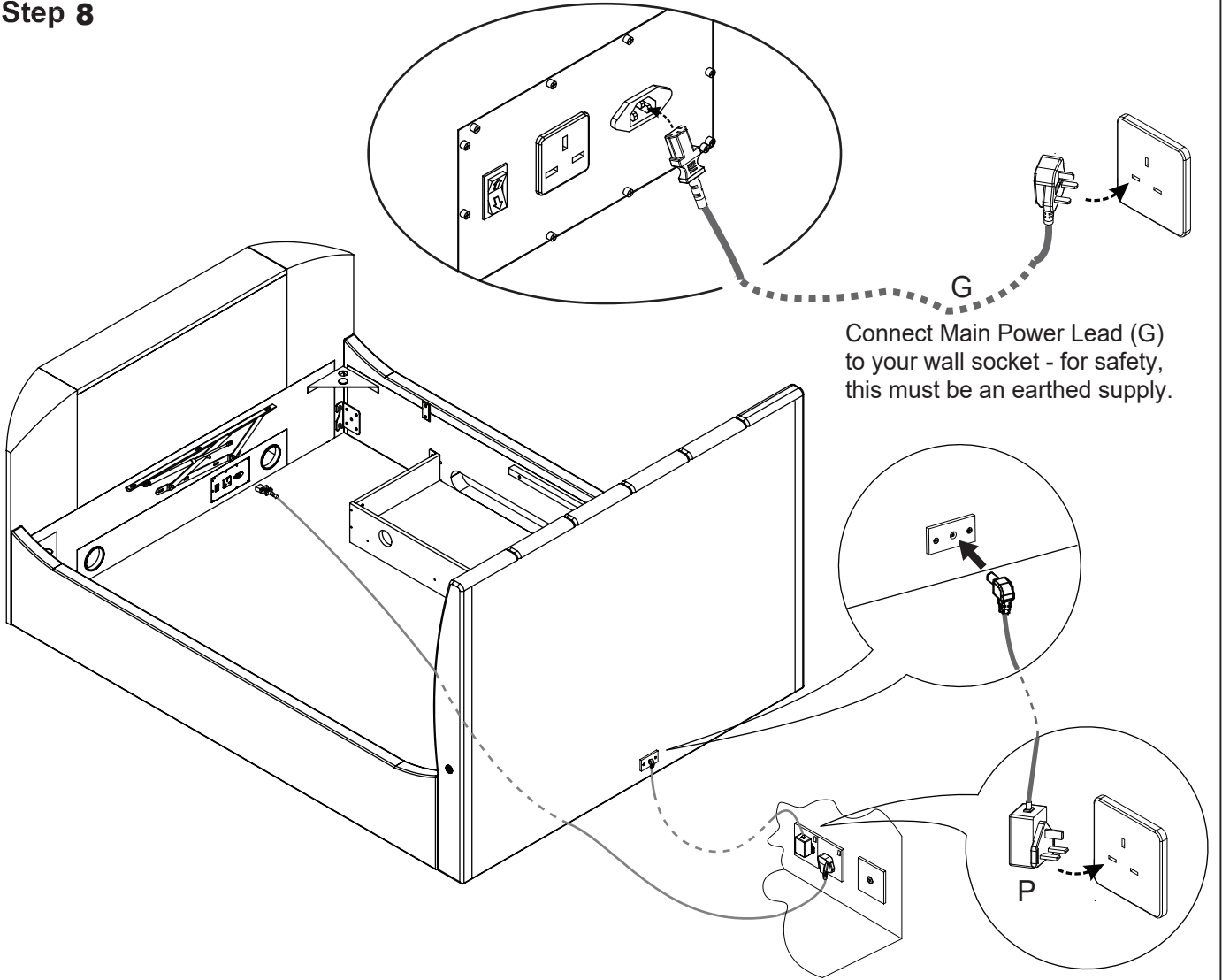
Step 7



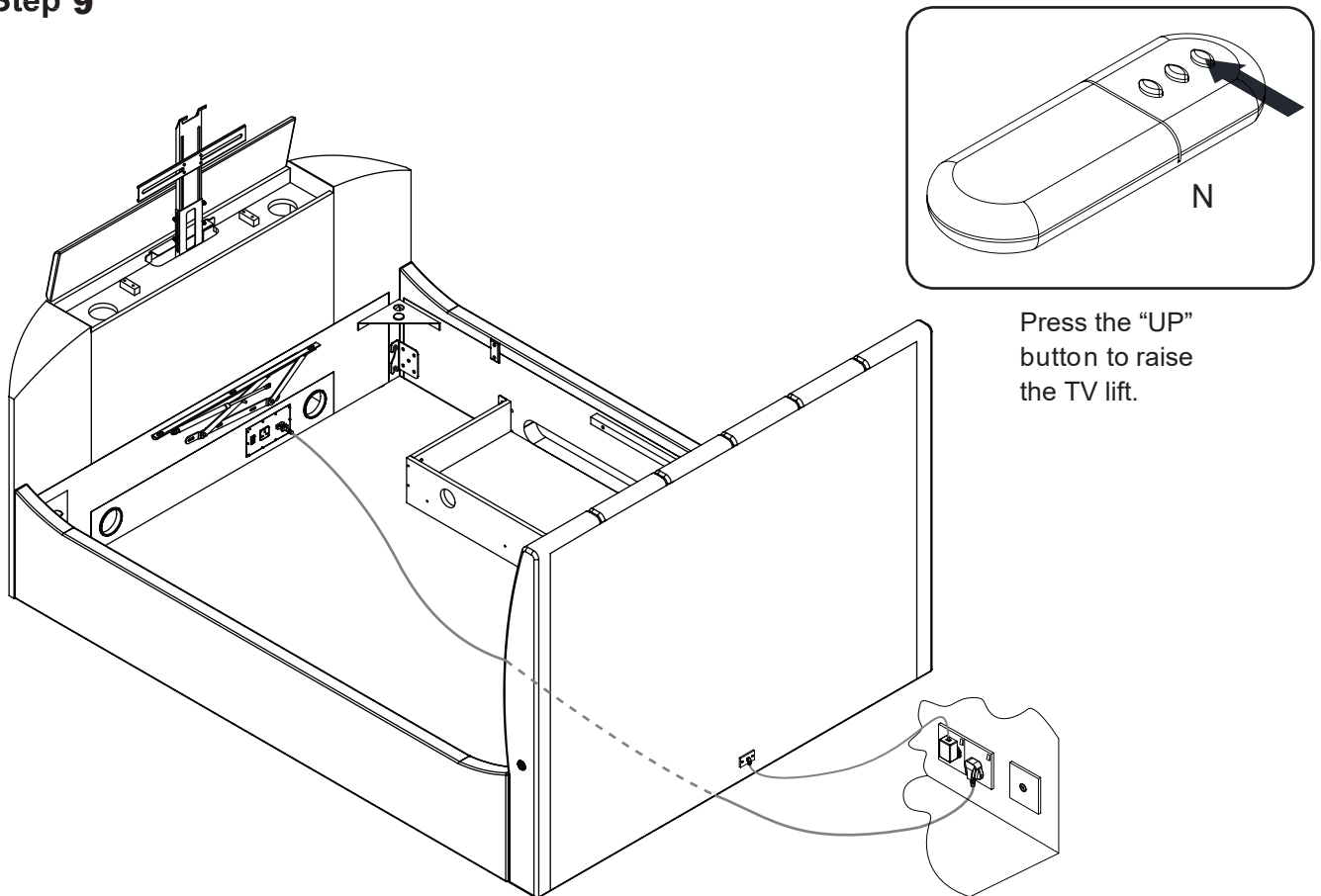
**CAREFULLY LOWER BED BACK DOWN
EQUALLY, BE CAREFUL AS BED IS HEAVY**



Step 8



Step 9



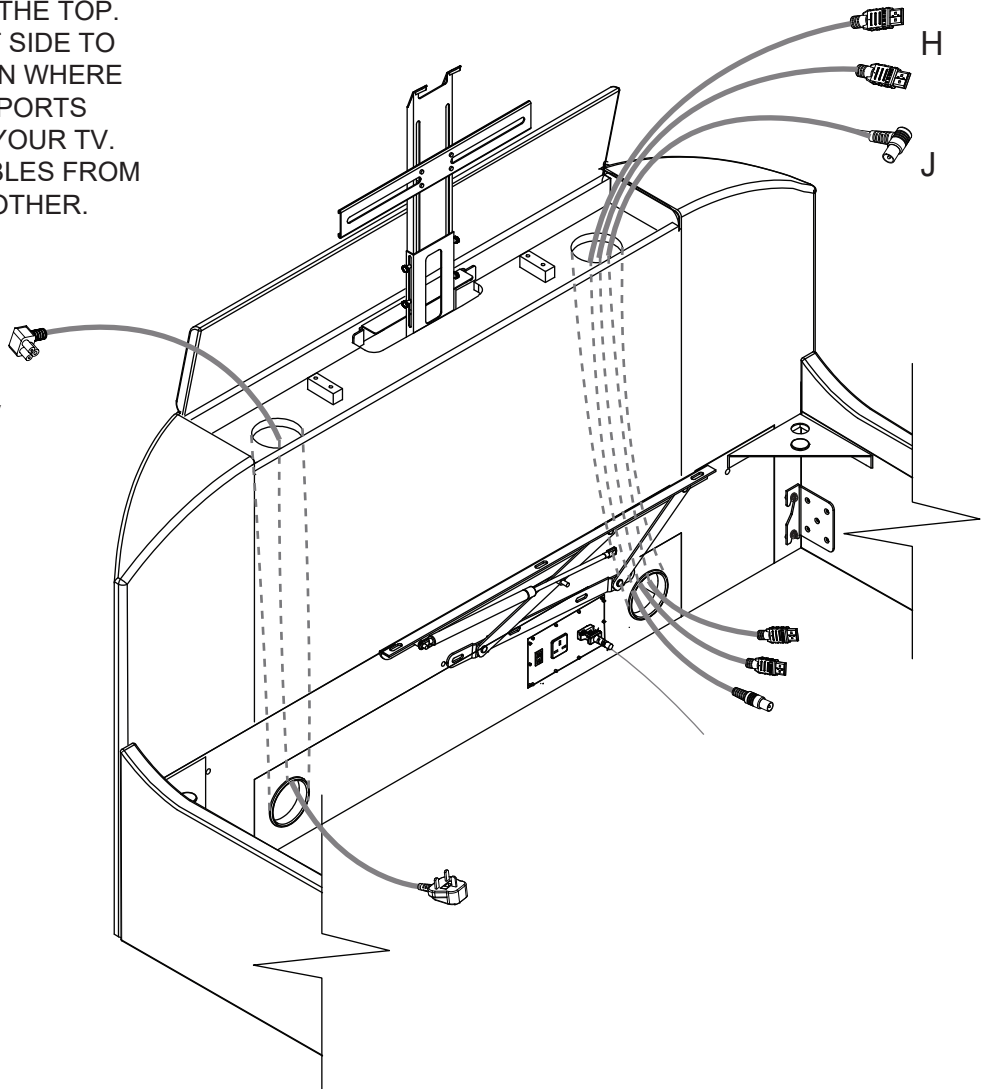
Step 10

Note: For illustration purposes only, TV connections may vary.

TIP:

BEFORE FITTING THE TV, PUSH CABLES THROUGH EACH DUCT FROM THE TOP. CHOOSE THE BEST SIDE TO USE DEPENDING ON WHERE THE CONNECTION PORTS ARE, ON BACK OF YOUR TV. NEVER CROSS CABLES FROM ONE SIDE TO THE OTHER.

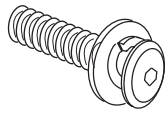
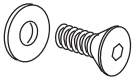
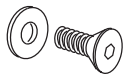
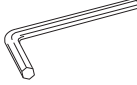
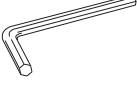
TV Power Lead
supplied with your TV

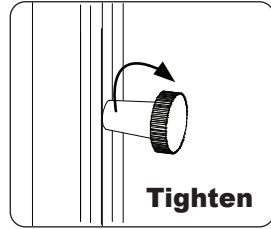
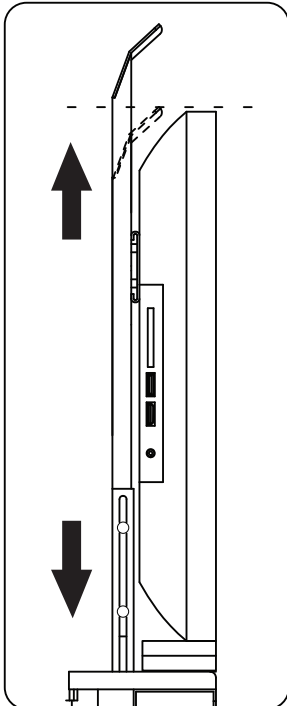
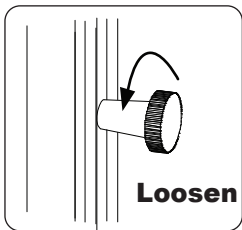
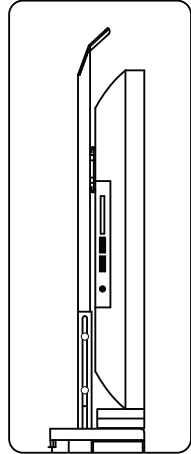
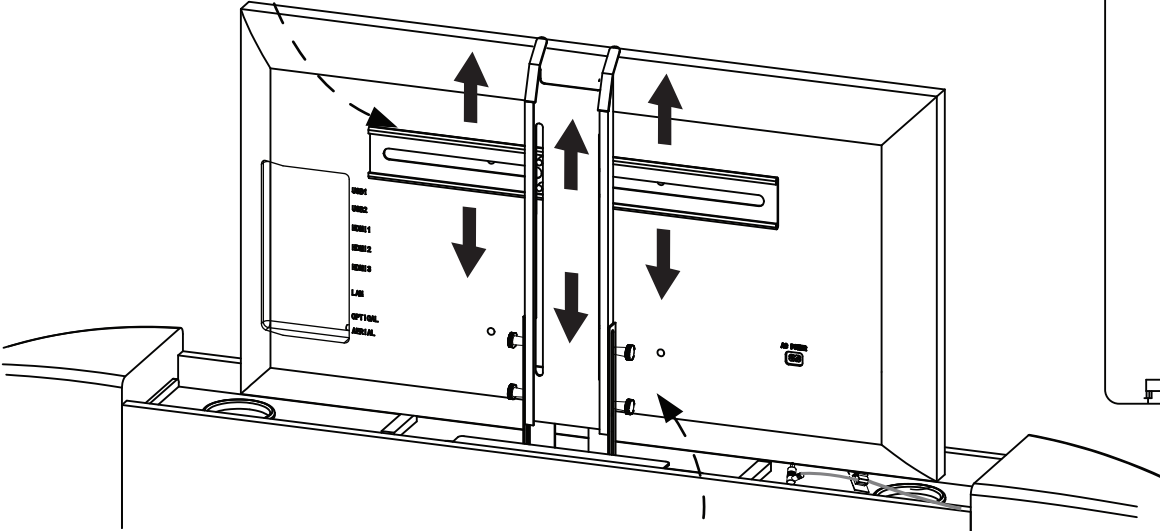
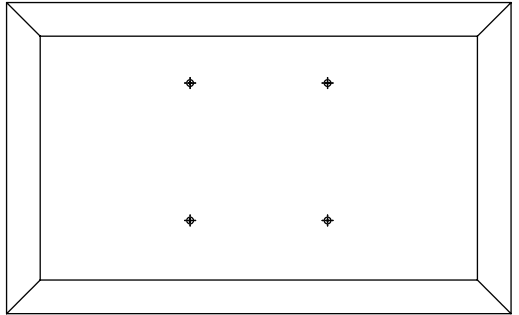
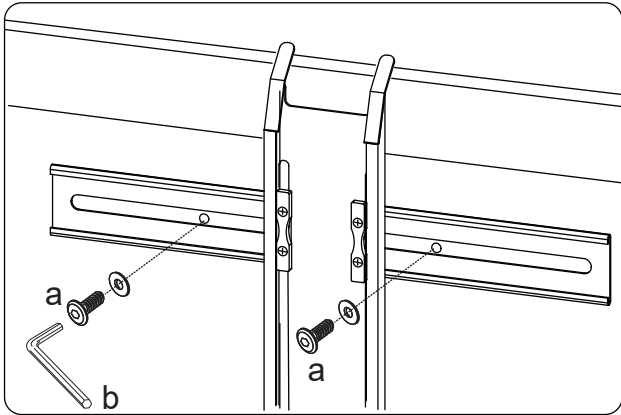


Step 11

Normal Vesa Fixing - Use TV Installation Kit from Pack (A)

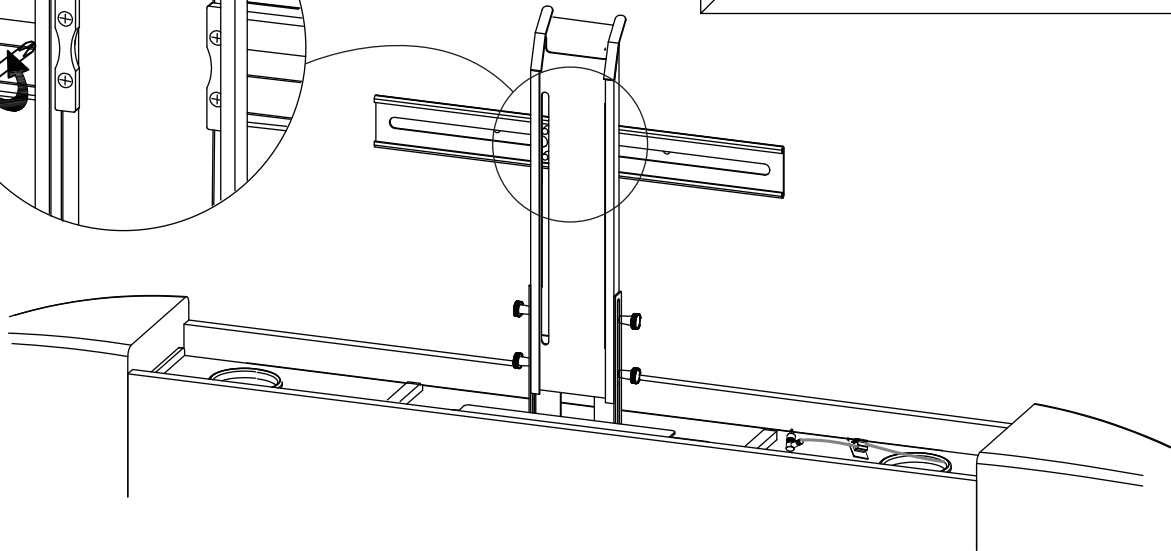
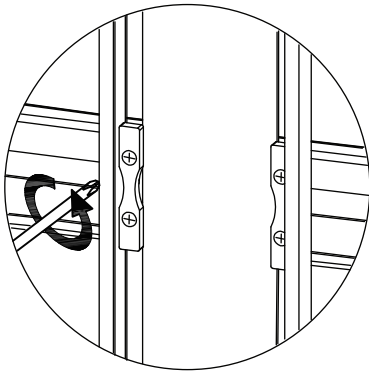
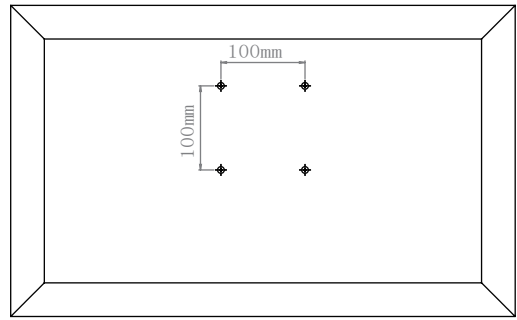
N.B. IF SCREWS ARE SUPPLIED WITH TV, PLEASE USE THOSE IN PREFERENCE

- a x2 Bolt sets M8 x 25mm 
- Counter-Sunk Screw sets (M6x12mm) 
- Counter-Sunk screw sets (M4x12mm) 
- b x1 Allen Key (4mm) 
- Allen Key (2.5mm) 

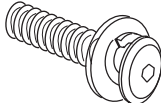
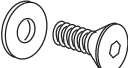
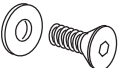




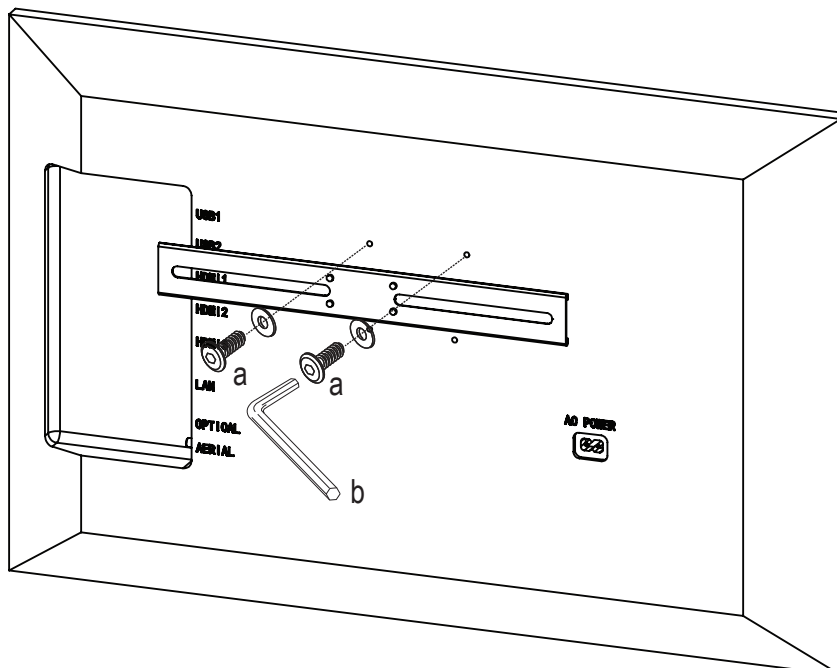
Step 12a 100x100 Vesa Fixing - Use TV Installation Kit from Pack (A)

REMOVE CROSS-BRACKET
AND FIX DIRECTLY TO BACK OF TV

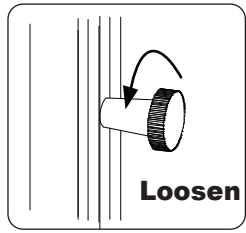


Step 12b N.B. IF SCREWS ARE SUPPLIED WITH TV, PLEASE USE THOSE IN PREFERENCE

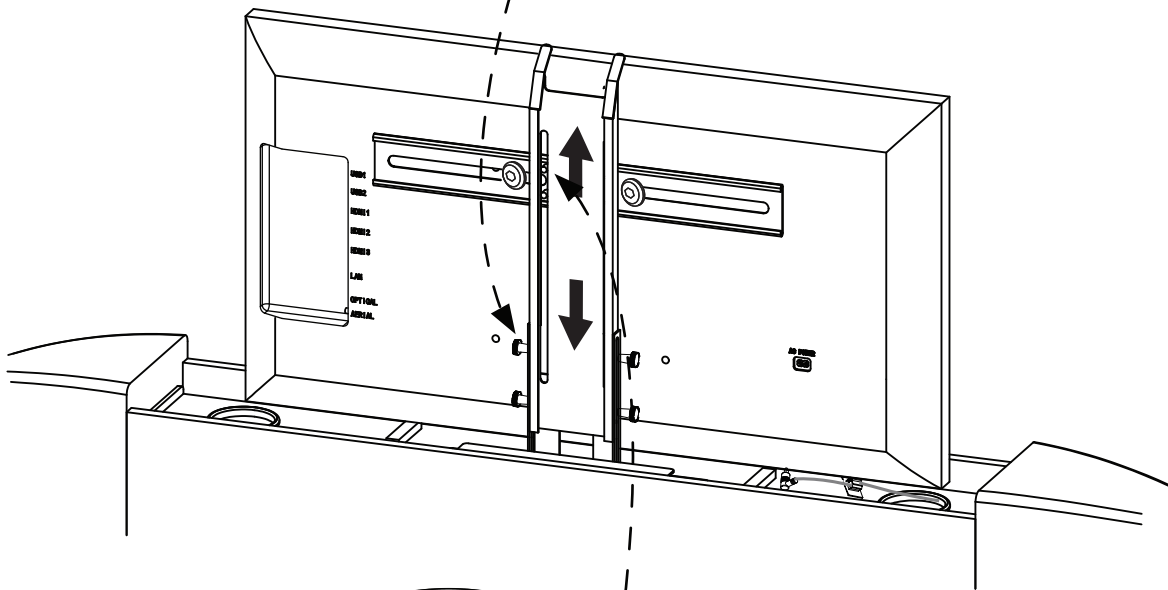
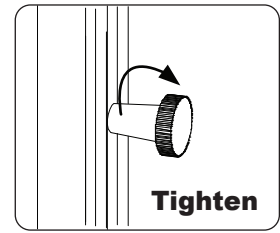
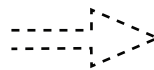
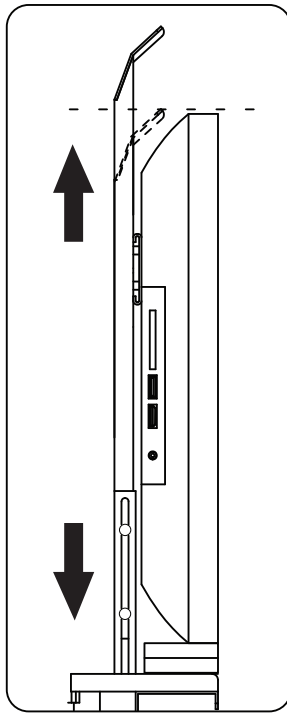
- a x2 Bolt sets M8 x 25mm 
- Counter-Sunk Screw sets (M6x12mm) 
- Counter-Sunk screw sets (M4x12mm) 
- b x1 Allen Key (4mm) 
- Allen Key (2.5mm) 



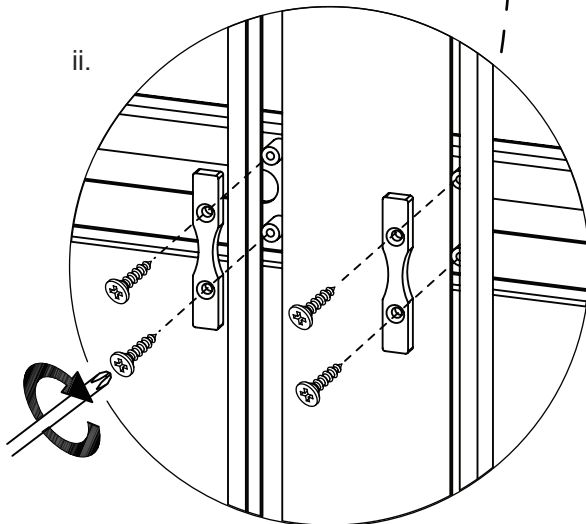
Step 12c



i.



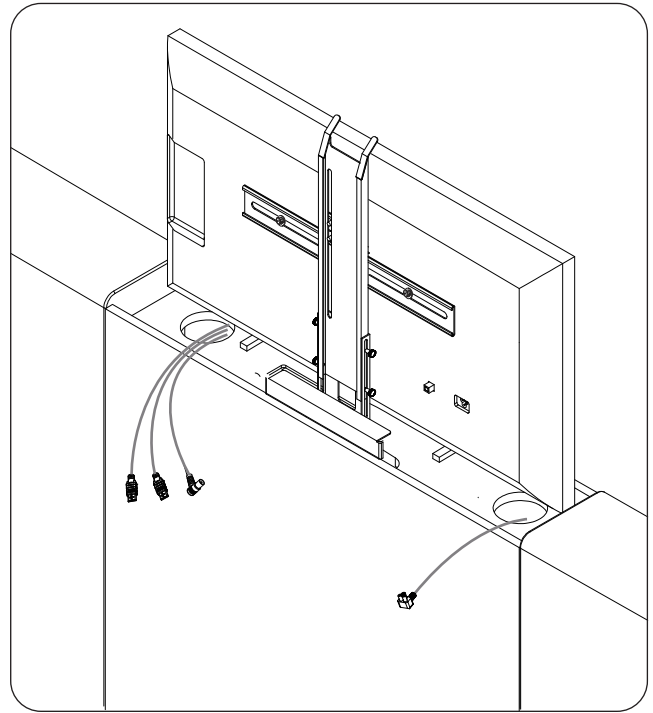
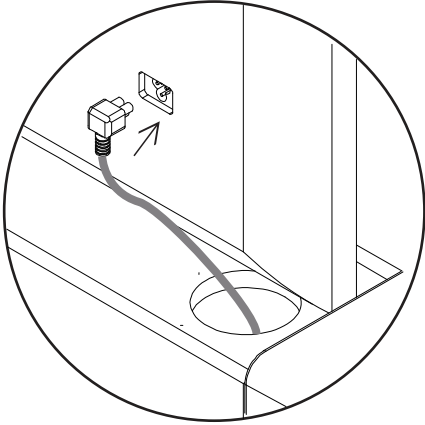
ii.



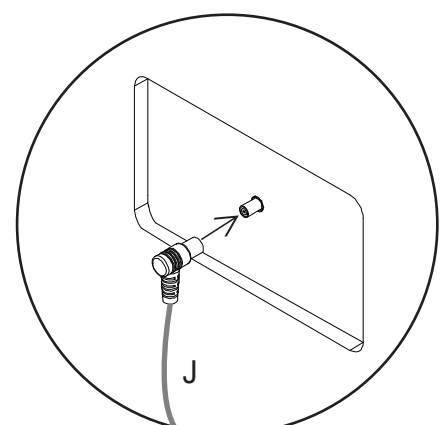
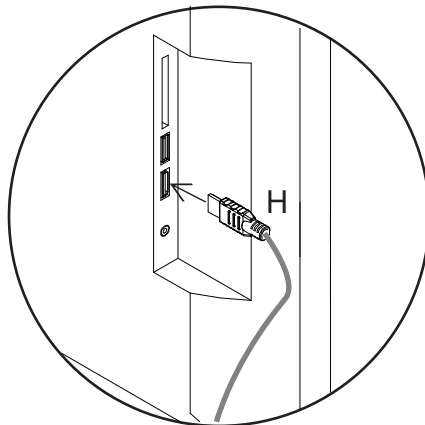
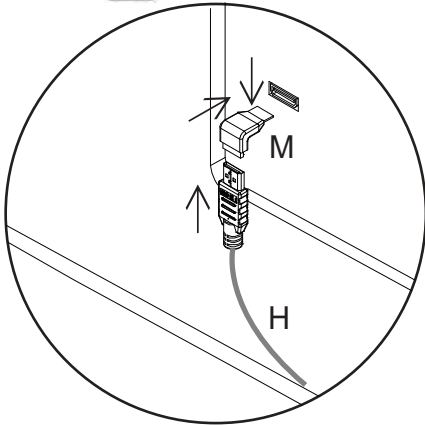
Step 13

Note: For illustration purposes only, TV connections may vary.

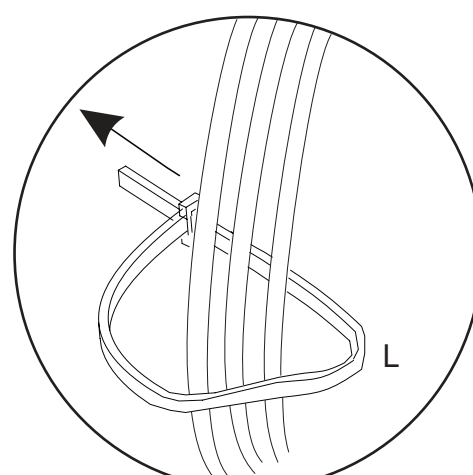
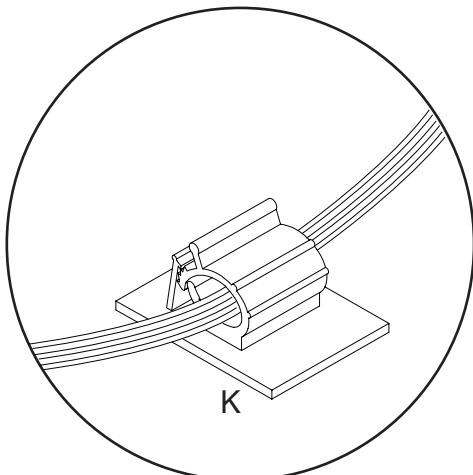
TV Power Lead
supplied with your TV



 **90° ADAPTOR**

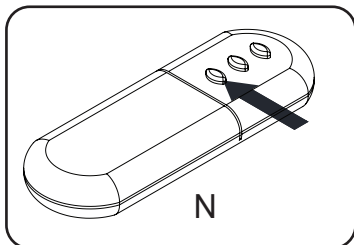
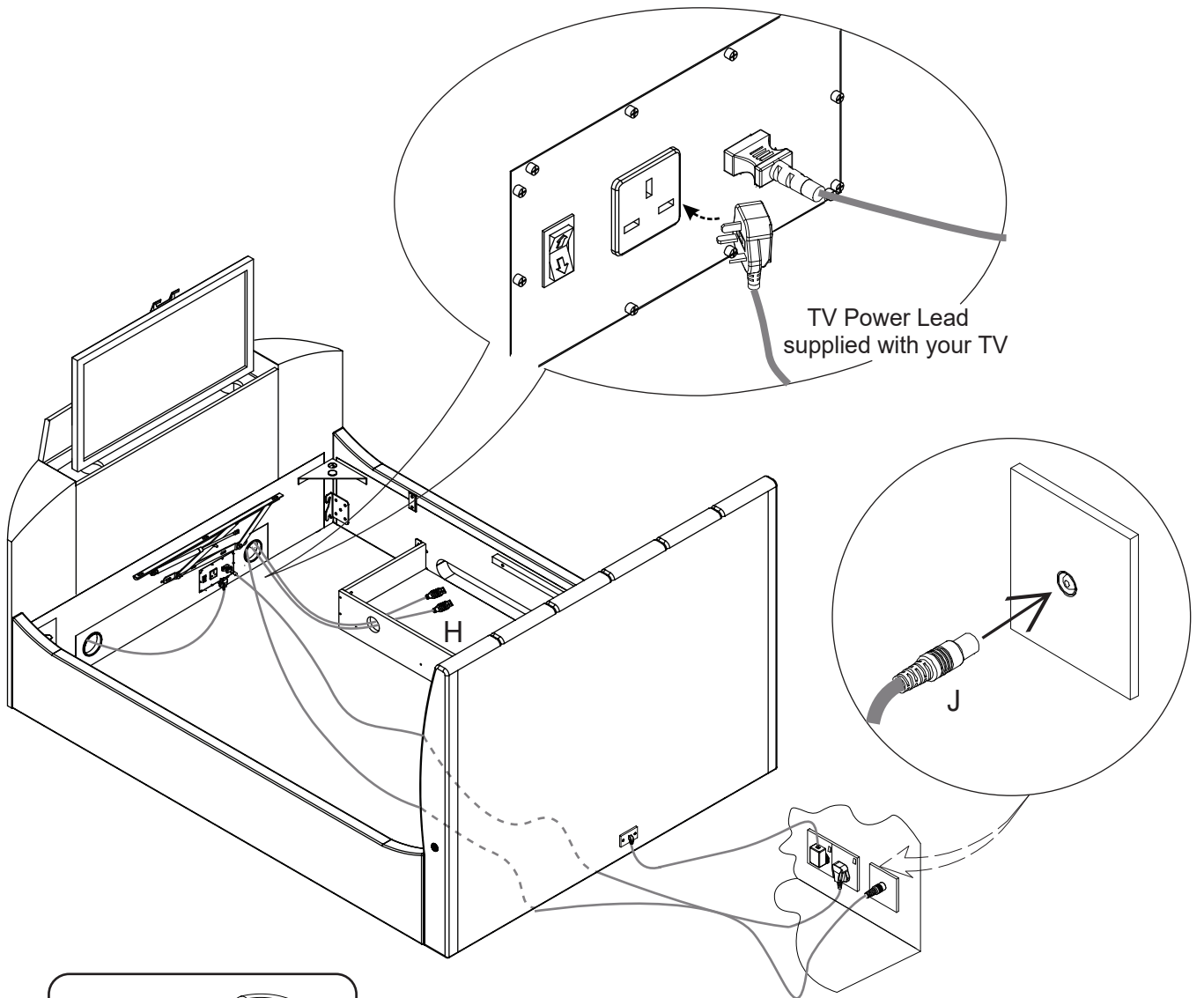


**PLUG IN - KEEP ALL CABLES TIGHT
USE CLIPS & TIES PROVIDED.**



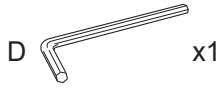
Keep wires tight - peel
off cover from cable clips
& adhere to back of TV.

Step 14

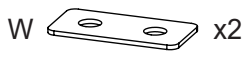


Press the "DOWN" button to lower the TV lift.

Step 15



x1



x2

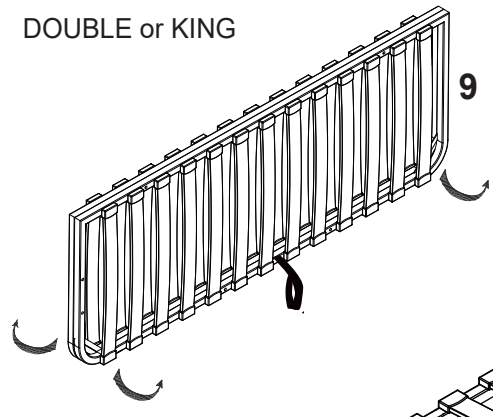


DOUBLE & KING x4
SUPER KING x6

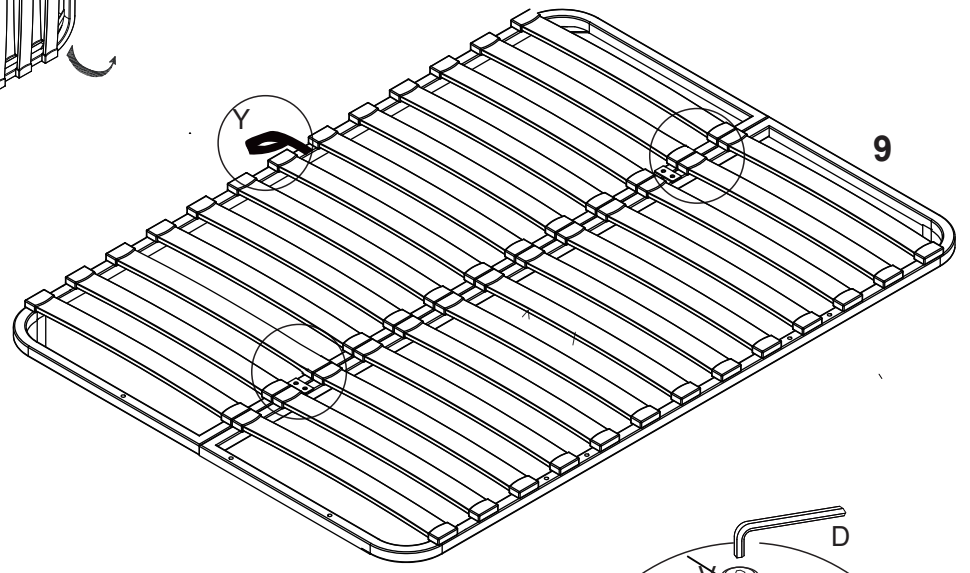


x1

DOUBLE or KING

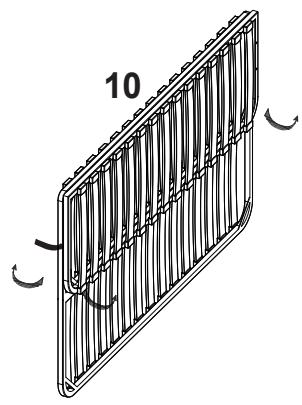


9

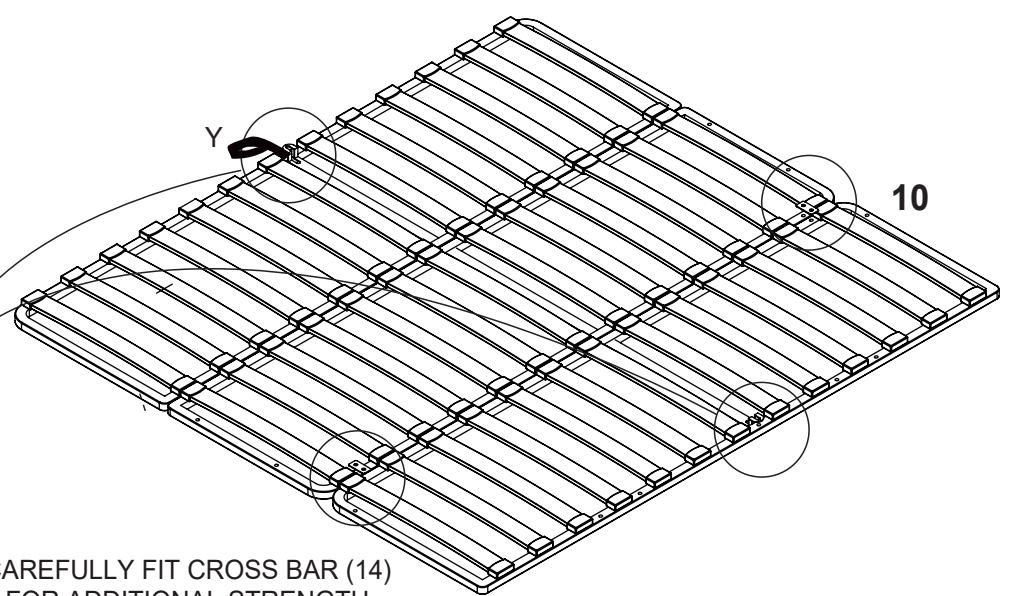
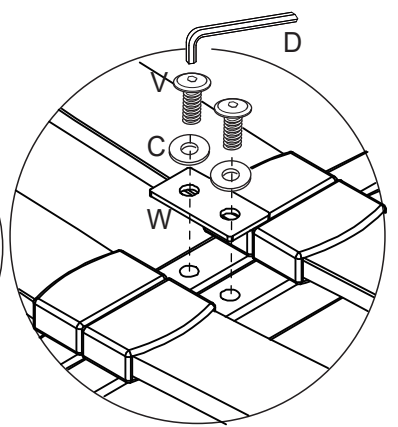
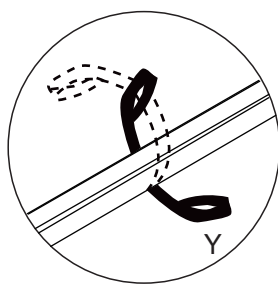


9

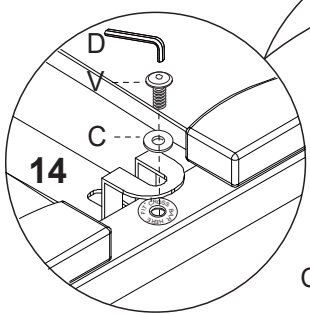
SUPER KING



10



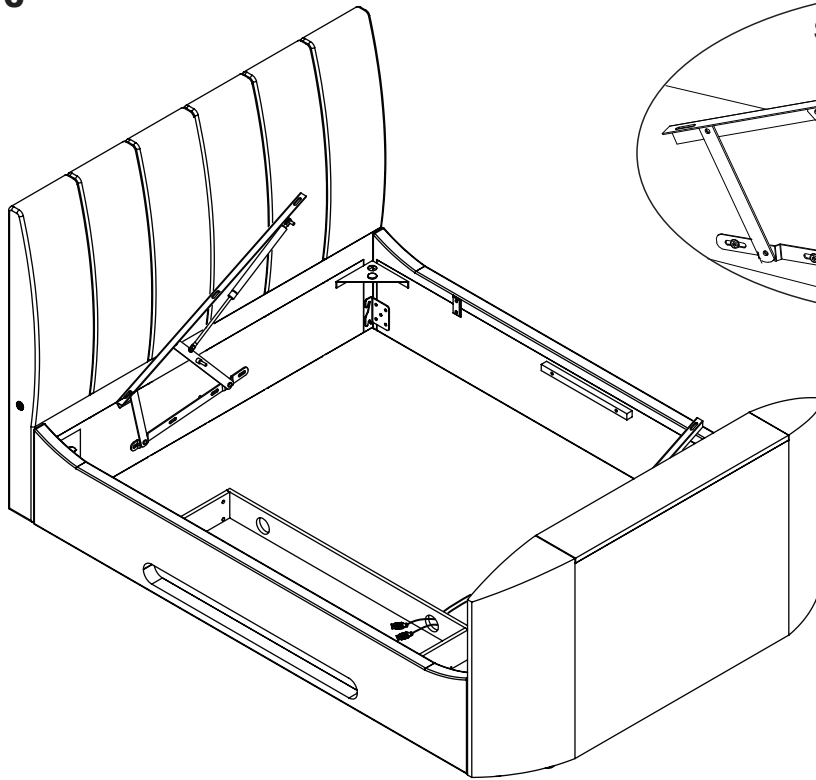
10



14

CAREFULLY FIT CROSS BAR (14)
FOR ADDITIONAL STRENGTH

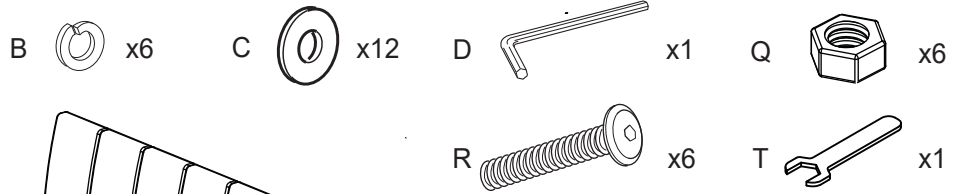
Step 16



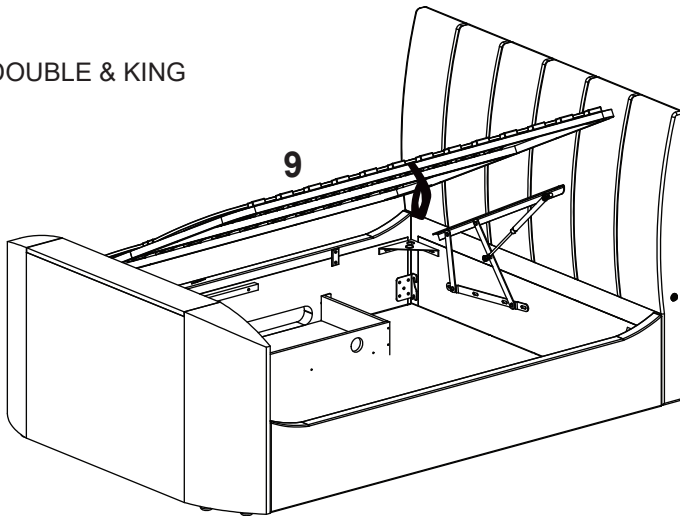
Slat Frame Support Bar

1&2

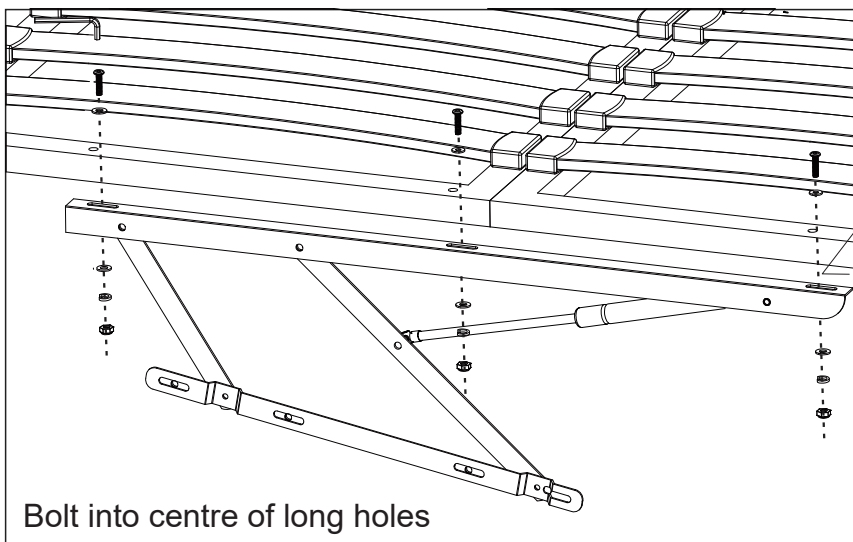
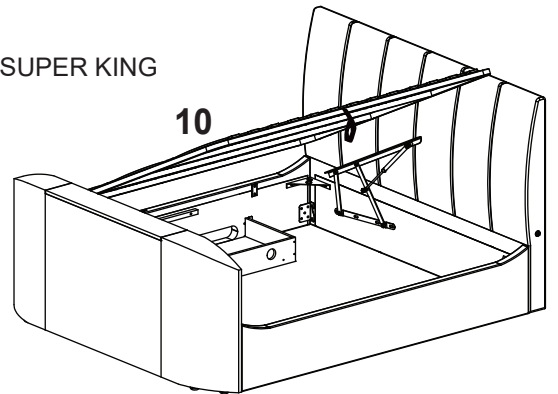
Step 17



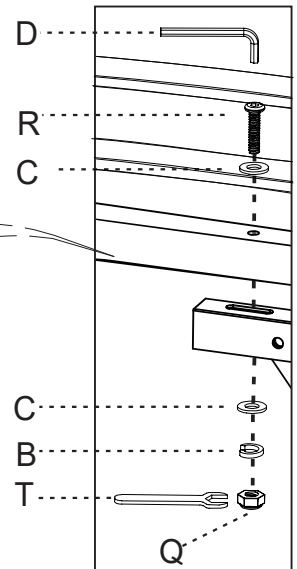
DOUBLE & KING



SUPER KING

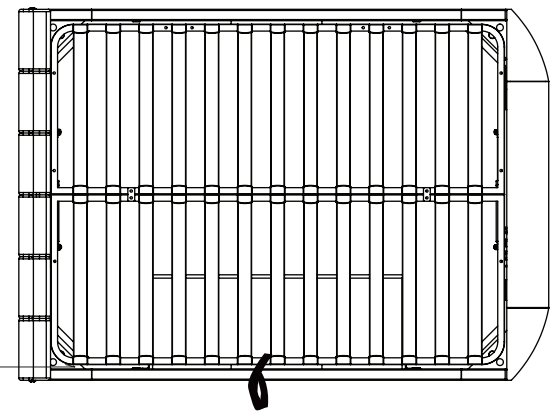
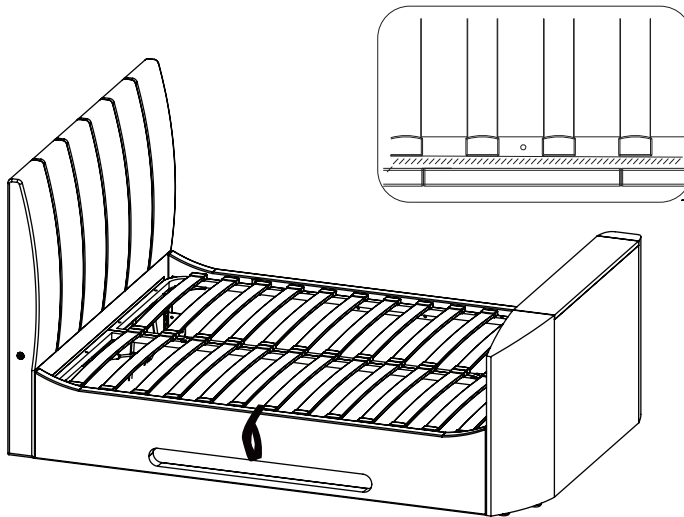


Bolt into centre of long holes



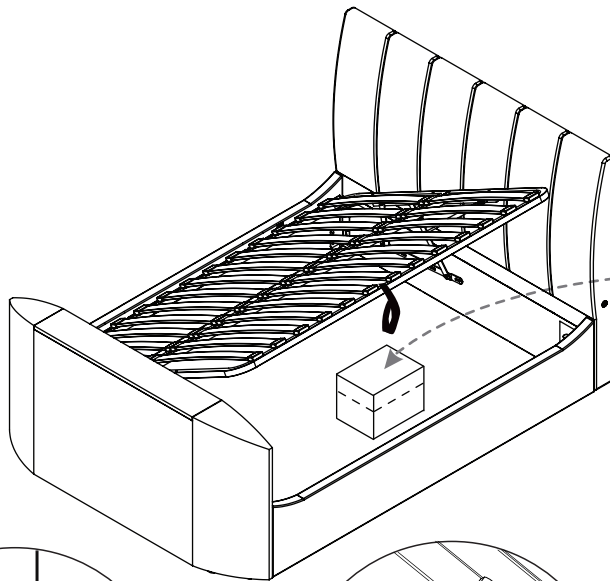
Step 18

Carefully lay frame down. Make sure there is an even gap each side of about 8 mm, as in the sketch.

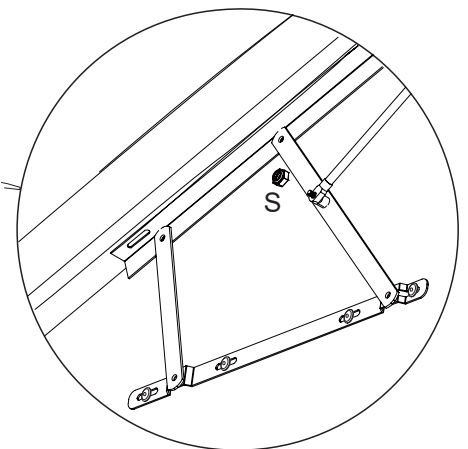
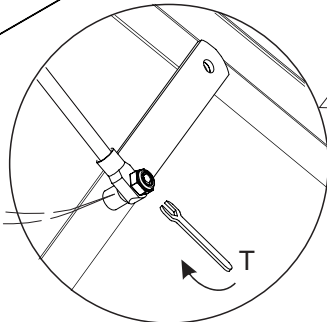
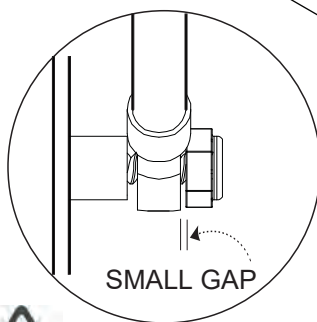


Hold frame securely then tighten all six bolt sets 100% using spanner (T) & Allen key (D).

Step 19



Note: Be very careful what you store under the bed - the top of an item, like a suitcase or a box must not touch the slats or they may be damaged. Maximum storage height is 275mm.

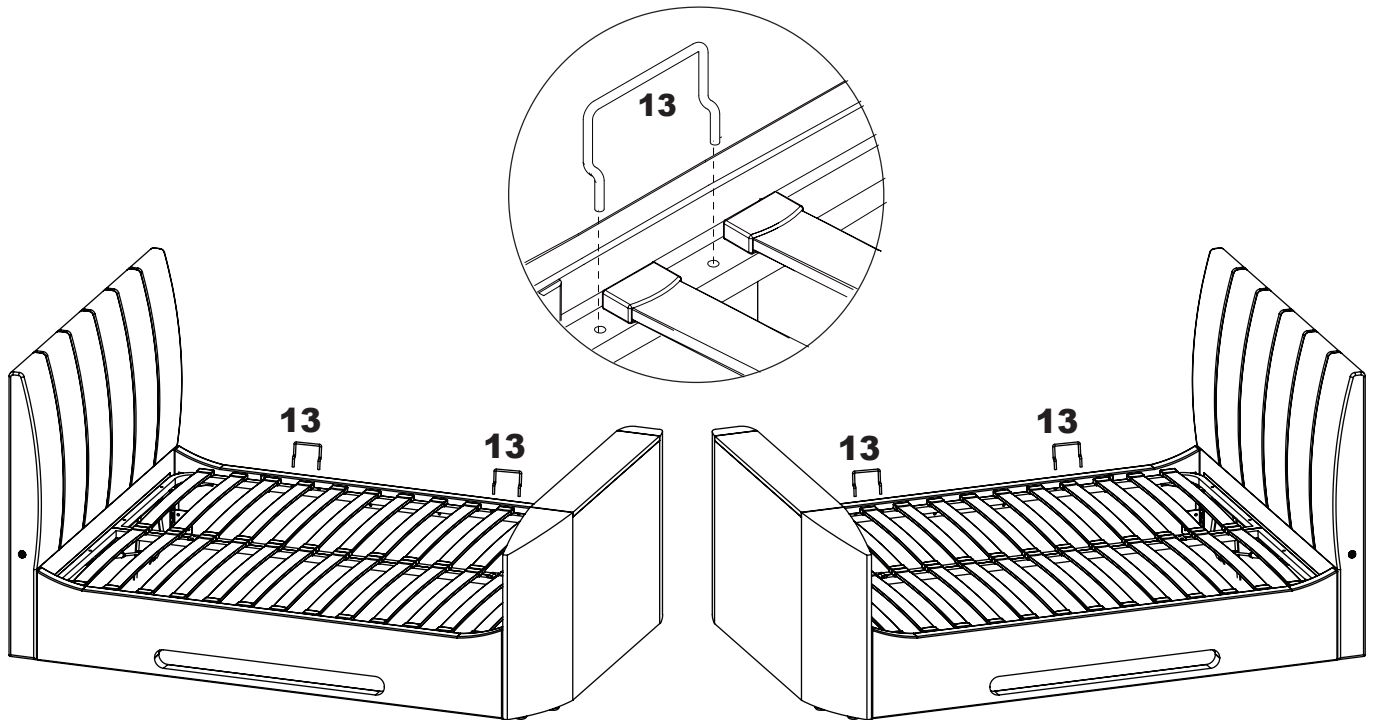


NOTE: Before moving the slat frame, mattress must be placed on the slats as the speed of upward movement is very high and may cause injury. Lift frame with the hand-strap then slowly push down ensuring the edges are aligned with the side panels. If not aligned, check bed is still square (see Step 3). Depending on the weight of the mattress, the speed of the lift will vary so be careful until you get used to the speed. Always use the strap to lift or lower the frame - keep fingers well away from the moving parts.

NOTE: With mattress in place, move the frame up & down five times to lubricate the pistons.

Step 20

FIT THE MATTRESS STOPPERS



TV BED SAFETY INFORMATION



GENERAL INFORMATION

It is very important not to place any vessel containing liquids, e.g. drinks or vase of flowers, on top of the TV footboard which may accidentally spill and enter the TV compartment as this could cause damage to the TV and/or the TV lifting equipment.

If this happens, please contact your retailer.

Do not expose the bed to an undue level of heat - keep away from radiators.

Never allow anyone to sit on the foot end of the bed - keep children well away from moving parts.

To keep bed clean, we recommend that it be wiped over with a slightly dampened cloth or if fabric, use a light vacuum cleaner; disconnect power before cleaning.

Supplied with the bed is a remote control to operate the TV Lift and when you fit your own TV there is a remote control to operate it as well. Both these remotes use batteries - there are no batteries in the rest of the equipment.

There are strict controls for disposal of batteries - your local council can advise on how to safely dispose of them.

Never burn batteries on an open fire as they could explode.

IMPORTANT POWER INFORMATION

It is essential that the Mains Power Lead (G) is connected to an earthed socket be it a wall socket or extension lead - otherwise there is risk of damage or even electric-shock.

The socket providing the power must be accessible at all times in case you need to switch off the power quickly.

During an electrical or lightning storm - disconnect the power completely as a precaution.

Always un-plug the power when going on holiday or when the bed is not used for an extended period.

If you have young children in the home always disconnect the power at the wall socket for extra safety.

Power outlets, extension leads or adapters must not be overloaded beyond their limit - this can result in fire or electric shock. Leads supplied with this bed, or other approved mains powered extension leads used to power the equipment, must not be placed where they can be walked on - this is dangerous and could lead to accidents.

Do not interfere with or modify any cables already fitted and do not add any extra media leads unless they are routed through the ducts as shown in Step 10. All leads must be tightly connected to back of TV, never hanging loose.

Never touch moving parts or any part of the equipment - if something needs to be checked, disconnect the power first.

Do not insert anything into the footboard as this could seriously damage the TV and/or the TV lifting equipment and could, if done carelessly, cause serious damage or injury.

If the equipment doesn't operate normally or if there is any unusual noises, disconnect the power.

TV BED SAFETY INFORMATION



TELEVISION INSTALLATION

Before fixing the slats frame to the bed, please follow the television installation instructions below.

Raise the TV Lift by pressing the TOP button of the remote control.

Connect the TV using the TV Installation hardware packed in the accessory box in Carton 2.

Connect the TV to the mounting bracket plate as in Step 11 or 12.

If necessary, mounting plate can easily be adjusted to move TV up or down.

Connect the TV Power Lead (supplied with TV) by passing plug down one of the ducts, plugging it into the power adapter (if one is supplied with the TV) then into the TV power socket which is on the face of footboard - see Step 14.

This socket is only to be used for the TV as the supply is not constant.

Connect the Aerial & HDMI cable (H&J) by passing down the appropriate duct - see Step 10.

If required, connect your own media cables through either of the ducts - connect your media equipment when ready.

Please use the cable clips & cable ties (K&L) to make certain there are no loose wires to snag or get trapped.

The TV can now be operated following the TV Operation Guide supplied with your TV.

When finished viewing, lower the TV back into the footboard by pressing DOWN button of the remote control.

The TV will retract into the footboard automatically - power shall be turned off when TV reaches the bottom.

When the UP button is pressed - the TV Lifting Column rises and power to the TV turns back on automatically.

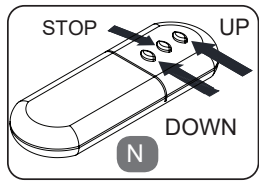
TROUBLE SHOOTING

IMPORTANT: Care should be taken when connecting electrical items. If in any doubt please consult an approved electrician to advise you on the electrical supply to achieve safe connections, to the electrical equipment of the TV Bed.

If your equipment does not operate please check all the power connections from wall to the socket in the footboard. Make sure TV is switched on. (Note: TV will only work when it is in the up position).

If you cannot resolve an issue or still have a problem or need help, please contact your Retailer for advice.

Occasionally you may find the radio wave connection between remote control and TV Lift is lost, probably due to atmospheric conditions. In that case please follow these simple instructions:



- ①. Disconnect all mains electric power to the bed, for at least 60 seconds.
- ②. Press UP or DOWN Button on TV Lift Remote Control (N) and keep holding button down, simultaneously re-connect mains electric power to bed keeping button down for at least a further 5 seconds. TV Lift unit receives signal from Remote Control and lift will begin to move UP or DOWN whichever direction was chosen.
- ③. Re-connection is now completed.

Overall Dimensions (LWH cm)

D: 222.5 x 148.5 x 125.2

K: 232.5 x 163.5 x 125.2

SK: 232.5 x 193.5 x 125.2

Storage Dimensions (LWH cm)

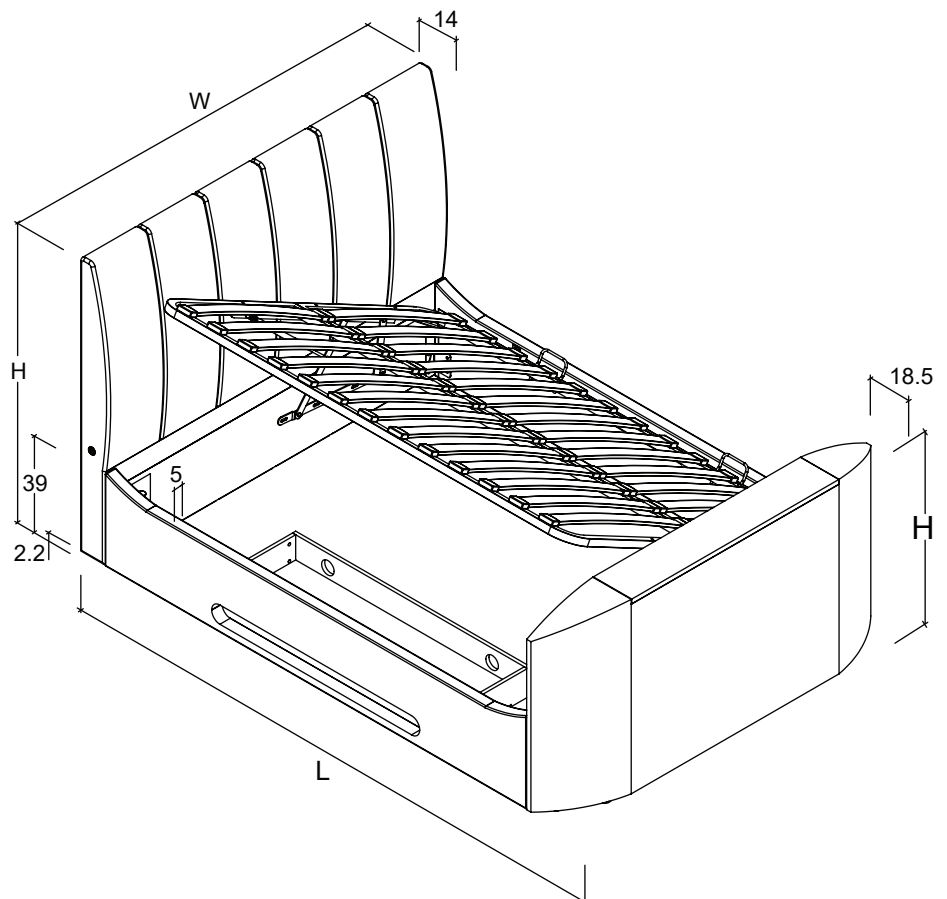
D: 193 x 138.5 x 27.5

K: 203 x 153.5 x 27.5

SK: 183.5 x 203 x 27.5

Media Tray Dimensions

88.5 x 36 x 17 (WDH cm)



Product Information

- Upholstered Bed conforms to BS EN 1725 & BS 5852.
- TV Lift system has a maximum load capacity of 14 Kg
- Compatible with slimline LED television with a screen size up to a maximum of 42"
- Maximum TV dimensions W98 x H58 x D8 cm

Care Instructions

- Avoid exposing the furniture to excessive heat or direct sunlight as this can cause cracking and deterioration of the colour.
- Periodically check & re-tighten any fastener.
- Periodically remove dust by using a light vacuum cleaner or if your bed is PU, use a soft damp cloth.
- Do not use silicone based furniture polish.
- Any spills should be removed immediately with a soft damp cloth.
- **TAKE CARE WHEN MOVING THE FURNITURE AND NEVER DRAG THE PIECES ACROSS THE FLOOR, AS THIS WILL CAUSE DAMAGE TO THE JOINTS.**

We cannot be held responsible for any damage caused to the TV, TV cabling or the TV Bed itself due to incompatibility of any additional equipment installed by the end-user or due to loose and poorly installed cables (see Step 9). Please read this Assembly Instruction carefully and follow the recommendations.

CE TV LIFT REF: LA08 CONFORMS TO STANDARD FOR UK & LED CONFORMS TO STD FOR UK (EMC, LVD & ROHS)

TV LIFT: EN 60335-1:2012+A11: 2014

EN 60950-1:2006+A11:2009+A1:2010

+A12:2011+A2: 2013

EN 301 489-1 V2.2.0: 2017

EN 301 489-3 V2.1.1: 2017

EN 55014-1:2006+A1:2009+A2:2011

EN 61000-3-2: 2014 EN 61000-3-3: 2013

EN 62233: 2008 EN 55014-2: 2015

EN 300 440 V2.1.1: 2017 EN 301 489-3

V2.1.1: 2017 EN 62479: 2010

EMC CERT NO. HTT170911240E

LVD CERT NO. HTT170911240L

ROHS CERT NO. HTT170911240R

POWER SUPPLY: FDD-009

EMC CERT NO. BST14010531Y-1EC-1

LVD CERT NO. BST14010531Y-1SC-2

ROHS CERT NO. BST14010531Y-1RC-4

DIRECTIVE: 2014/30/EU

DIRECTIVE: 2014/35/EU

DIRECTIVE: 2011/65/EU

DIRECTIVE: 2004/108/EC

DIRECTIVE: 2006/95/EC

DIRECTIVE: 2011/65/EU