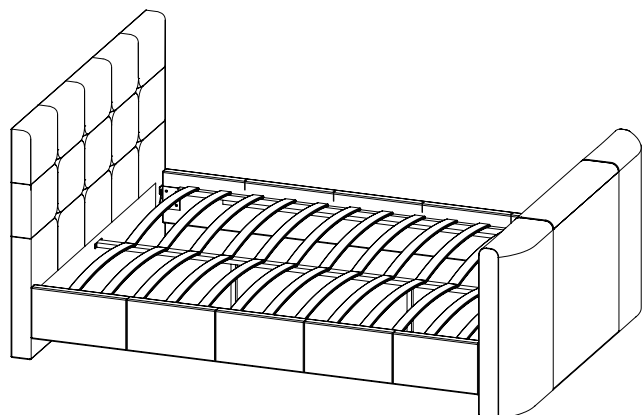




Alpha TV Bed 4-6 & 5-0



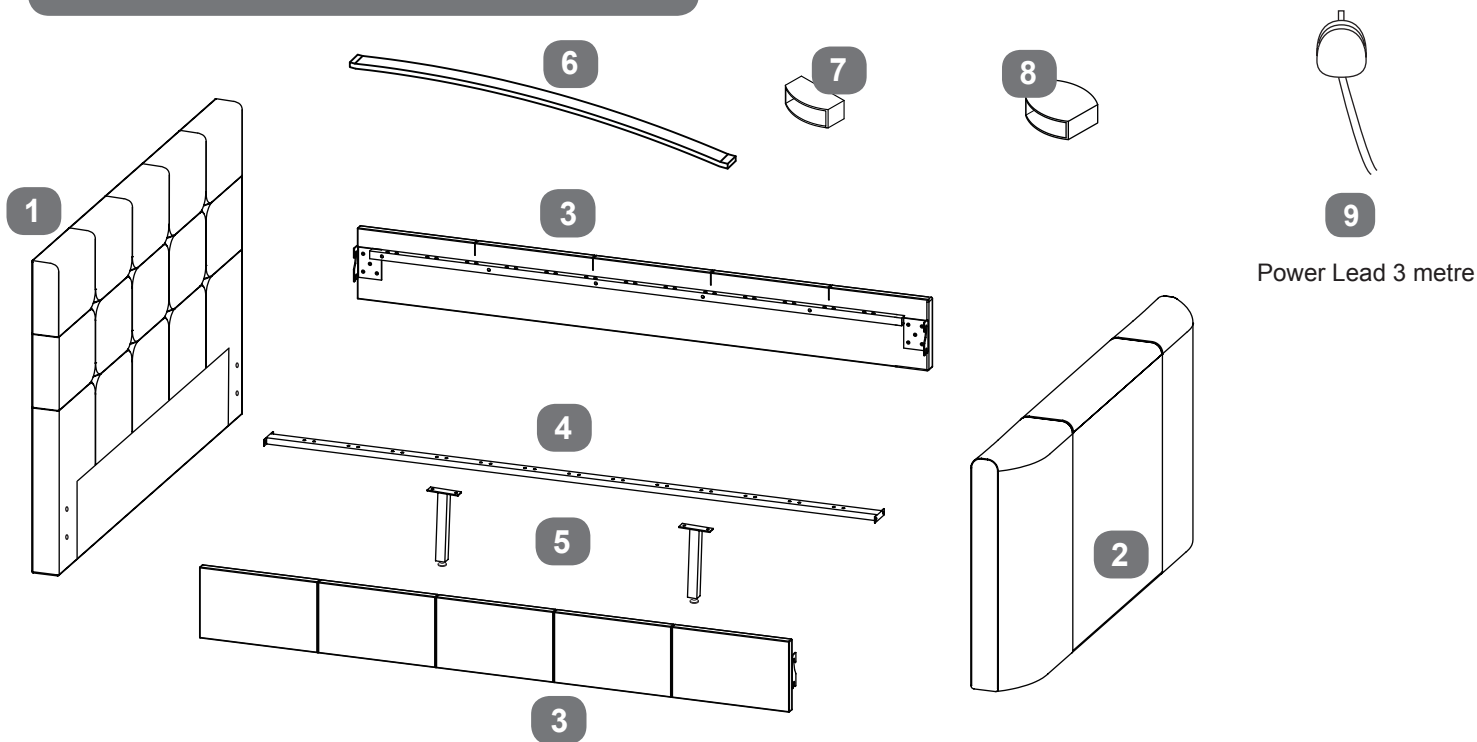
PLEASE READ this sheet prior to assembly to familiarise yourself with the various stages of construction. Carefully open the pack supplied and check the contents against the parts and fittings check list in this guide. Do not destroy any of the packaging until you are certain that you have all the necessary parts for the assembly.

Please ensure that the packaging is disposed of in a safe, environmentally friendly way.

CAUTION: There are small components used in the construction of this unit. These loose items should be kept away from young children whilst assembling your unit, to avoid the danger of a choking hazard.

IMPORTANT: BEFORE STARTING TO ASSEMBLE THE BED - PLEASE READ THESE INSTRUCTIONS CAREFULLY.

Parts Identification



Parts Checklist

Ref.	Description	Qty	Ref.	Description	Qty
1	Headboard	1	6	Wooden Slats (Double/King)	24/26
2	Footboard	1	7	Single Plastic Caps (Double/King)	24/26
3	Side Panels	2	8	Double Plastic Caps (Double/King)	12/13
4	Centre Support Bar	1	9	Power Lead - 3 metre	1
5	Centre Support Legs	2			

Safety and Care Advice

Warnings

Assembly time: 1.5 Hours

- Before using the TV Lift please carefully read this Assembly Instruction
- Retain these instructions for future reference
- Tools are included when stated in the parts list - retain & occasionally check bolts are still tight
- This bed is for indoor use only
- Keep small parts out of reach of children
- The bed is intended for a maximum weight of 100kg per side (200kg combined)
- The bed should only be used on a firm & level floor
- The TV Lift mechanism has a CE Certification for use in the UK
- Keep product away from temperatures over 35°C
- Use only good quality cables
- When you are ready to start, make sure you have the correct tools, plenty of space and a clean dry area for assembly
- Check the pack and ensure you have all the listed parts
- Due to the size of the product we recommend it is assembled in the room intended for use
- Ensure the product is fully assembled as illustrated
- Make sure the feet are always in contact with the floor
- Regularly check all the fittings are tight & that there are no loose cables that could get trapped
- Keep this product away from open flames such as fires or candles.

Please:

- Don't use power tools to assemble this product
- Don't over-tighten fittings
- Don't stand or jump on the product
- Don't sit on the side panels
- Don't let the product be exposed to direct sunlight or extreme temperatures e.g. radiators
- Don't let water or heavy moisture near the bed itself or onto the electrical parts
- Don't put vases of flowers on or near the bed
- Don't insert objects into the TV compartment
- Don't try to service this product yourself and never use any lubricants
- Don't try to repair the mechanism - seek expert help - contact your retailer
- Don't exceed the weight limit
- Don't let children play with the mechanism

Safety and Care Advice

Warning - Electrical Components

- Unplug the unit during lightning storms or when unused for long periods of time
- The main power plug & socket should be easily accessible - this is how the power is disconnected
- Plug the three pin power plug on the power lead into the socket in the footboard before switching on power at the wall socket, the socket must be earthed
- Never try to repair this product yourself, contact your retailer - trying to remove panels or repairing the unit yourself could result in an electric shock
- Do not expose the TV remote control and battery to excessive heat such as sunshine or an open fire
- Servicing is required if the mechanism has been damaged in any way - contact your retailer
- If the mechanism has got wet - turn off power immediately & seek expert help
- If objects fall into the TV compartment, turn power off before attempting to retrieve them
- If unit does not operate normally - turn off the power & seek help from an expert or your retailer
- The TV mains power socket mounted into the footboard is a special safety socket & no other socket should be used to power TV
- Using this socket the TV will not operate when it is down in the lower resting position - power is restored when TV is raised up

Care Instructions

- Wipe with a clean damp cloth. If there are any stubborn marks, use a non abrasive dampened cloth with warm soapy water
- Do not use solvent based cleaners or detergents as they can bleach or damage the finish
- Do not use scourers, abrasives or chemical cleaners

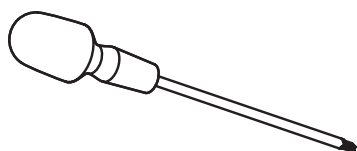
Fittings Checklist

Code	Description	Qty	Code	Description	Qty
A	Bolts (M8x30mm) for fitting side panels (3) to headboard & footboard (1&2).	x12	F	Cable Clips	x3
B	Spring Washers (For M8 bolts)	x8	G	Bolts (M8x40mm) for fitting support legs (5) to centre support bar (4)	x4
C	Flat Washers (For M8 bolts)	x16	H	Spanner for fitting nuts (E)	x1
D	Allen Key (5mm)	x1	J	Cable Management Clip	x1
E	Nuts (M8) for fitting centre support legs (5) to centre support bar (4)	x4	K	Cable Management Tube	x1
			Q	Cable Ties	x3

TV INSTALLATION KIT

L	Screw-Washer sets (M8x25mm)	x4	M	Allen Key (5mm)	x1
	Counter-Sunk Screws (M6x12mm)	x4		Allen Key (4mm)	x1
	Counter-Sunk Screws (M4x12mm)	x4		Allen Key (3mm)	x1
N	Spanner for TV bracket nuts (P)	x1			

Additional Tools Required



Cross-head Screwdriver

Care & Maintenance

In the unlikely event of missing or damaged parts, please contact the customer service team on 0800 084 2684. When calling this number, please quote the part code reference numbers shown in this leaflet, to properly identify spare or replacement parts.

To keep your bed in pristine condition, wipe over with a clean, slightly dampened cloth.

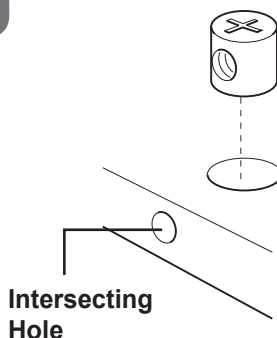
General Hints & Tips



Please retain your assembly instruction and any tools provided for future use. Regularly check that all bolts remain tight.



This assembly requires two people.



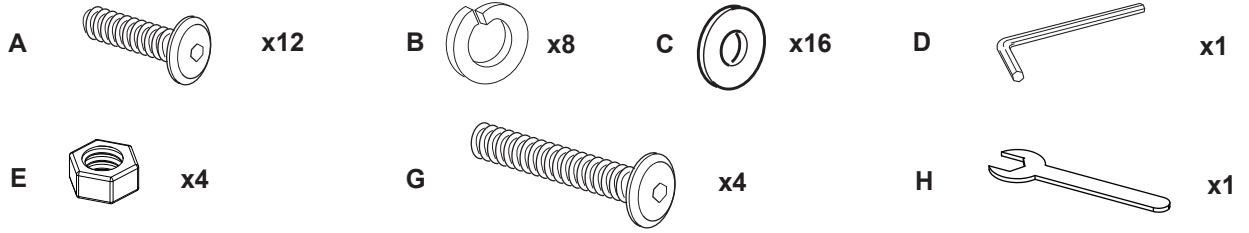
If barrel nuts are supplied as part of the assembly process, when fitting them into the panels, ensure they are the correct way round, so the hole is facing towards the intersecting hole.

We recommend the bed is assembled in the room it will be located in.

Bed Assembly

Stage

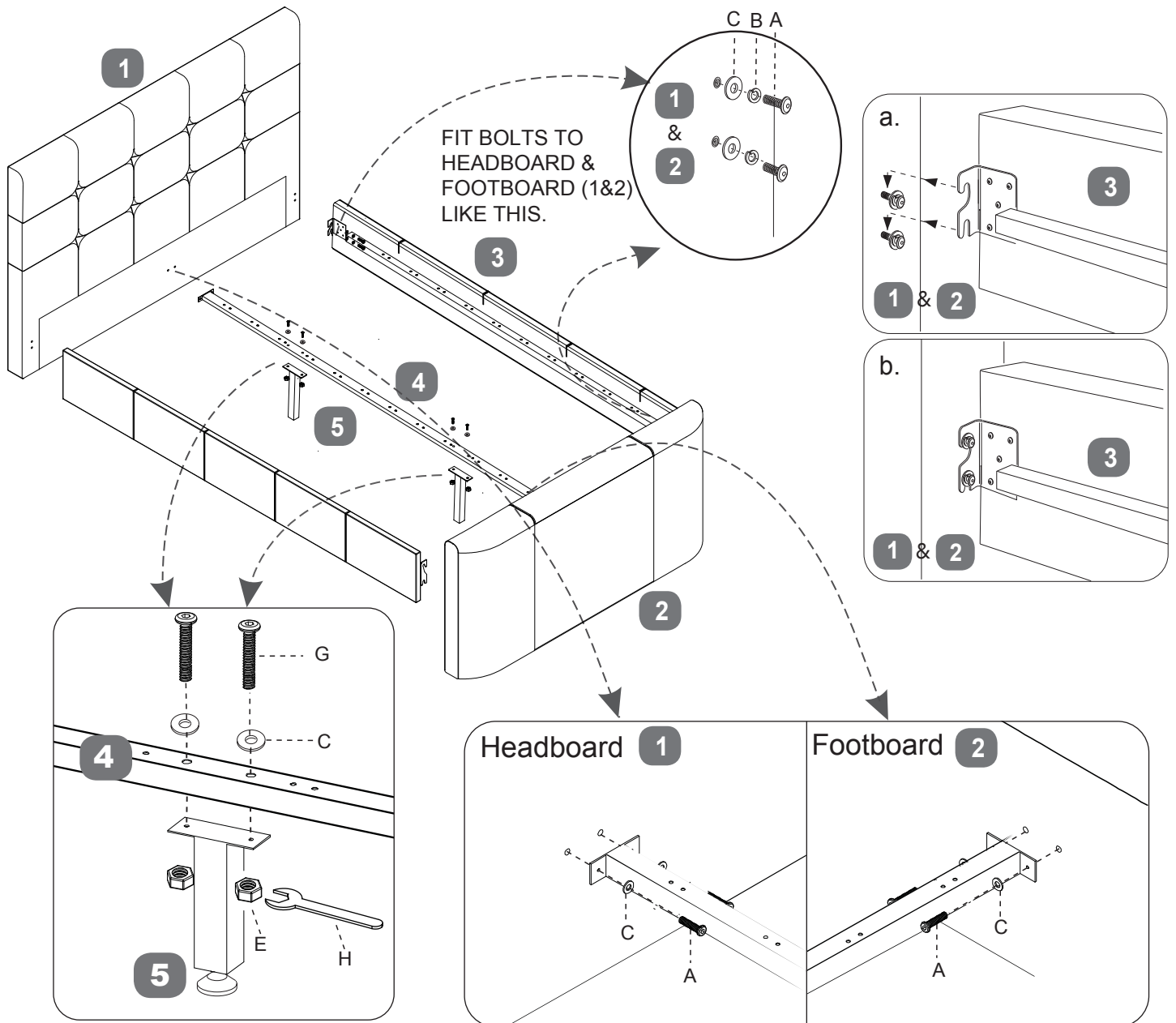
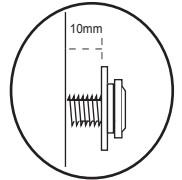
1



Loosely insert two bolts (A) with spring washers (B) and flat washers (C) into each side of headboard & footboard (1&2). Do not fully tighten the bolts, leave 10mm protruding as shown in the diagram.

Fit the side panels (3) locating the brackets behind the flat washers.

Once all four corners are located, make sure the bed is square but don't tighten any bolts yet.



Fit support legs to centre support bar (4) using bolts (G) flat washers (C) and nuts (E), fully tighten using Allen key (D) and spanner (H).

Fit bolts (A) and flat washers (C) carefully fixing centre support bar to headboard & footboard taking care not to damage the fabric.

When all bolts are screwed in place, tighten them 100%. Carefully adjust the feet on support legs (5) so support bar is level.

PREPARE TO INSTALL TV

Stage

2

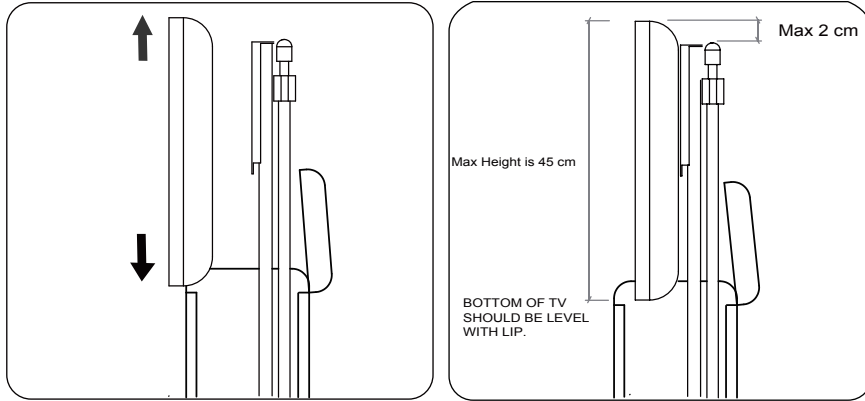
Before fitting the television to the TV lift, please check below:

Maximum Dimensions of TV that can fit to this bed;

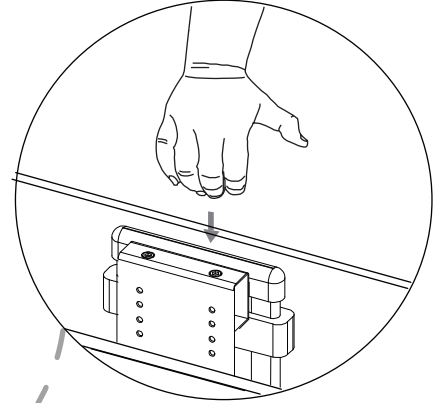
Width = 75cm

Height = 44cm

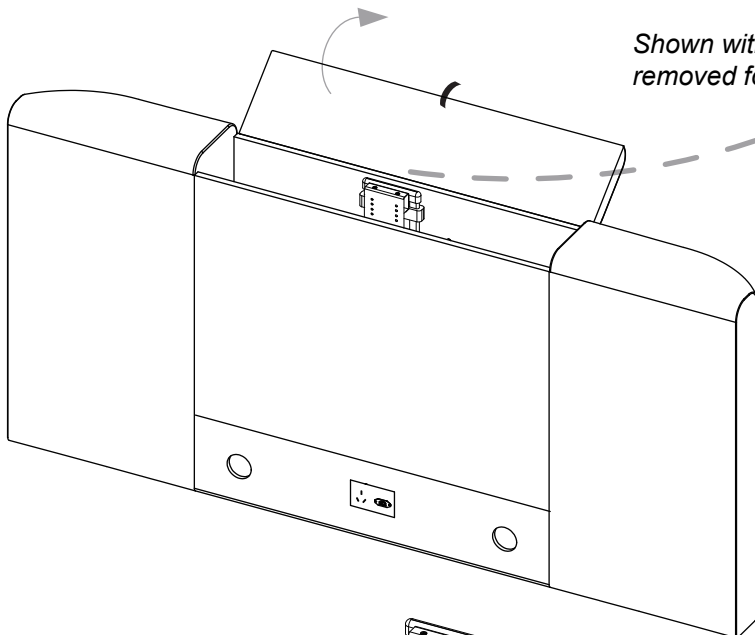
Depth = 6cm



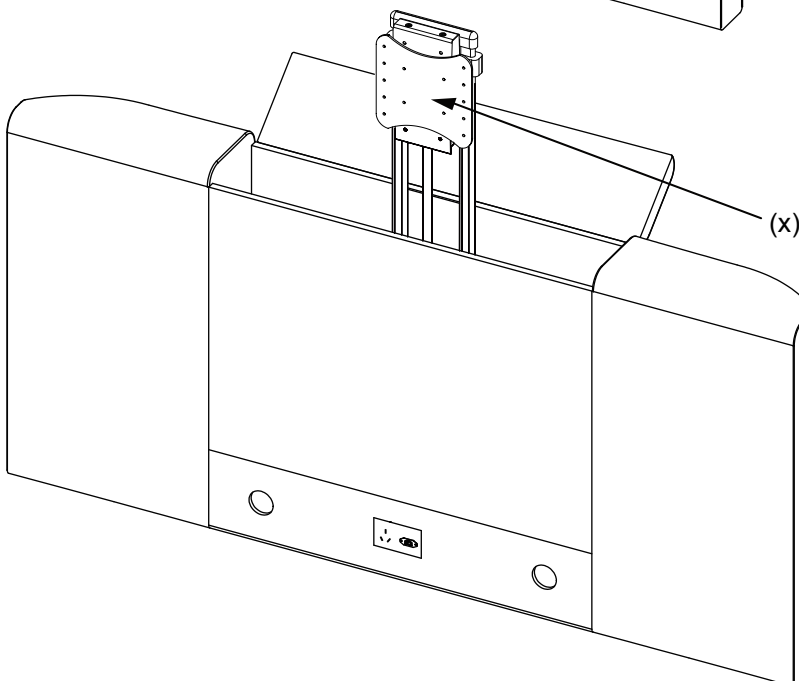
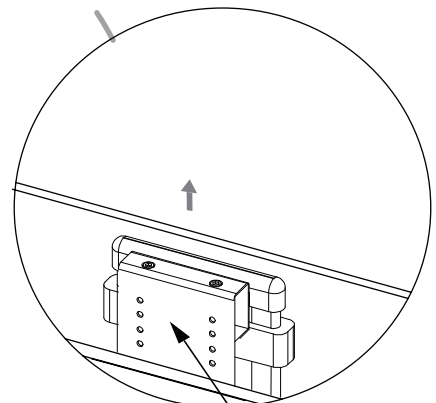
STEP 1:
PRESS DOWN GENTLY
TO RELEASE LOCK



Shown with TV bracket
removed for clarity



STEP 2:
RELEASE & LET LIFT RISE
TO THE TOP



TV mounting bracket (x) is factory fitted.
If your TV has a 75 x 75mm VESA fixing
remove it & fit TV directly to column bracket (y).

For 100 x 100, 200 x 100 or 200 x 200mm VESA,
use the bracket (x).
Fit bracket to TV first making sure it is level. Use
screws supplied with TV or from the TV installation
kit that is in with the main hardware pack. If none of
the screws are correct size for your TV, please
source suitable ones from your local hardware store.

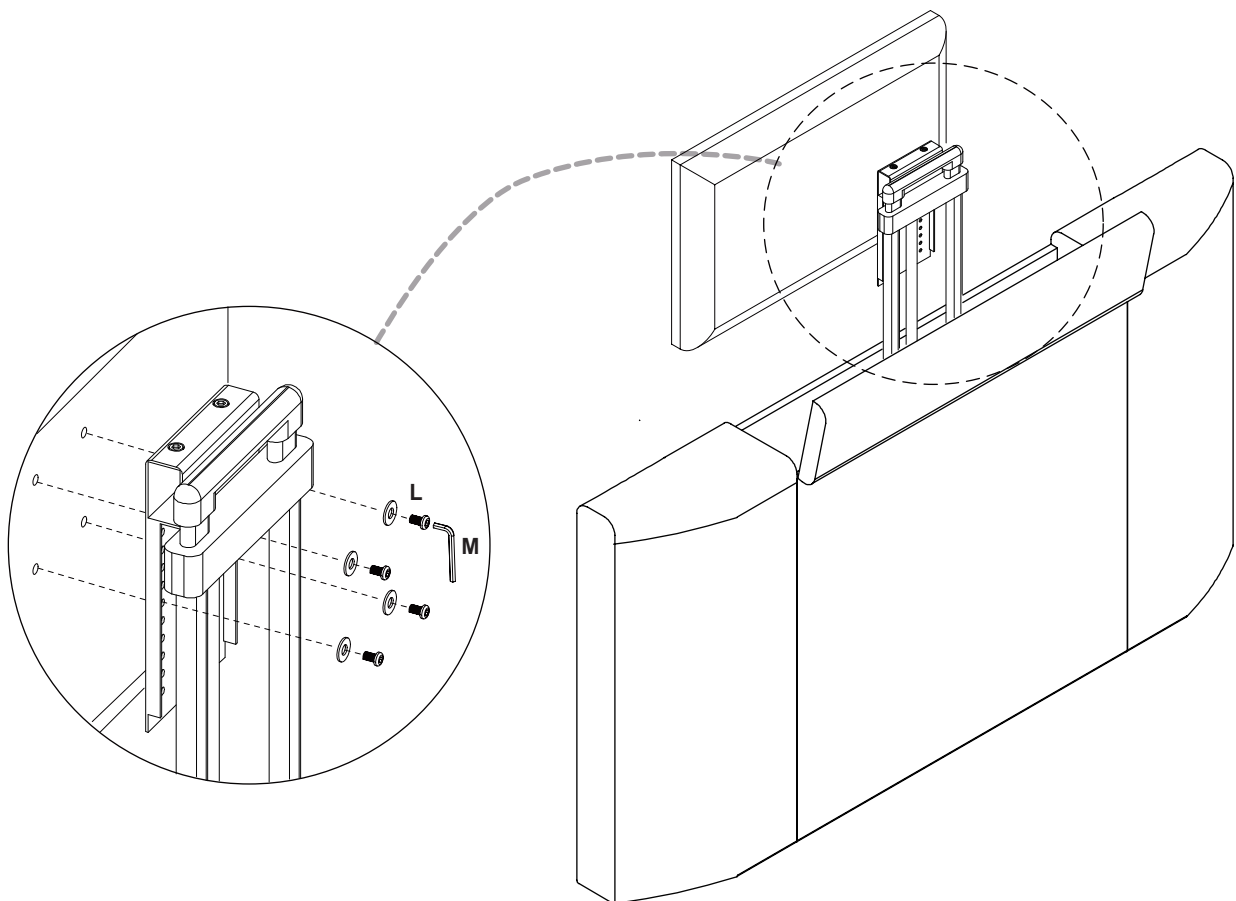
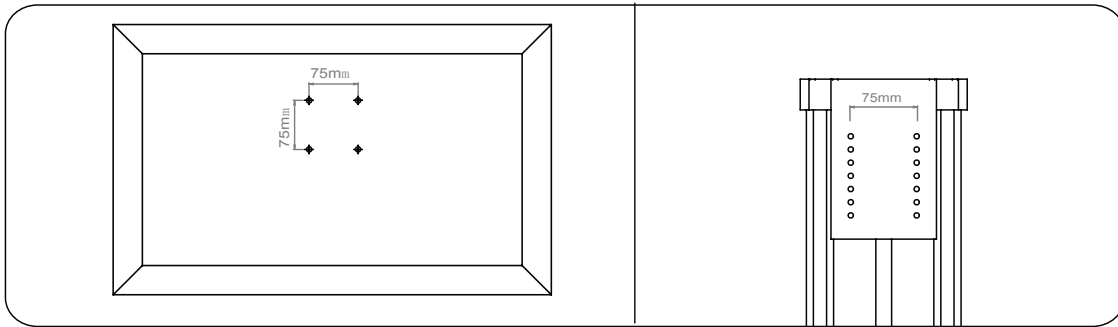
TV INSTALLATION - WITHOUT BRACKET

Stage

3a

TV INSTALLATION KIT

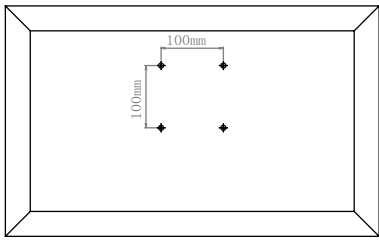
L	Screw-Washer sets (M8/M6/M4)		x4
M	Allen Key (5mm/4mm/3mm)		x1



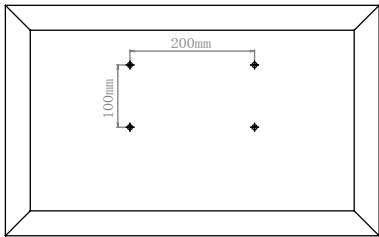
TV INSTALLATION - WITH BRACKET

Stage
3b

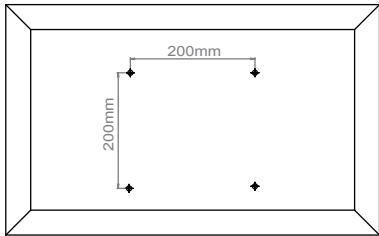
FITTING TV MOUNTING BRACKET



or

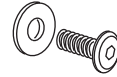


or

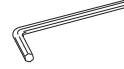


TV INSTALLATION KIT

L Screw-Washer sets (M8/M6/M4) **x4**



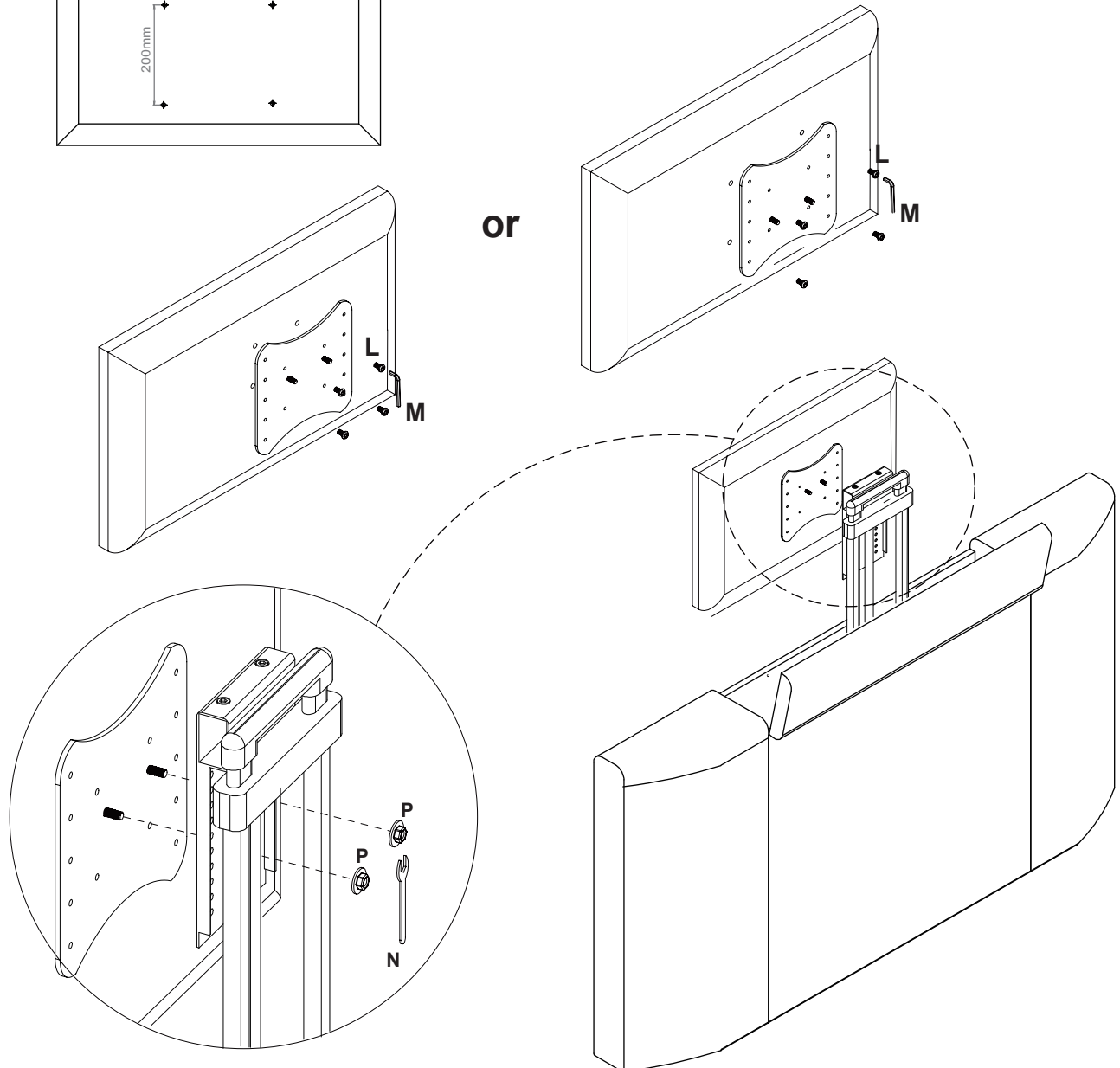
M Allen Key (5mm/4mm/3mm) **x1**



N Spanner for TV Bracket Nuts (P) **x1**



NOTE THAT IF NECESSARY, THE BRACKET CAN BE TURNED UP-SIDE DOWN TO GIVE MORE ADJUSTMENT



TV INSTALLATION

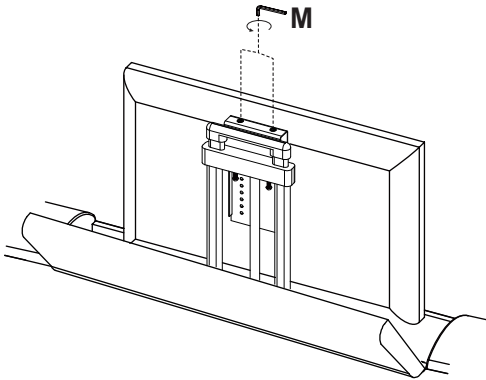
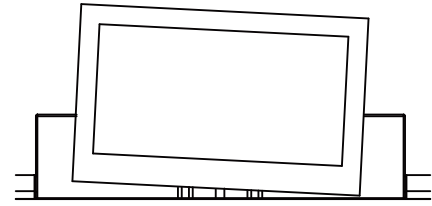
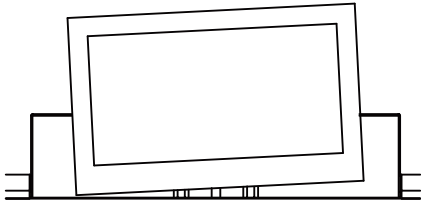
Stage
4

M Allen Key (4mm)

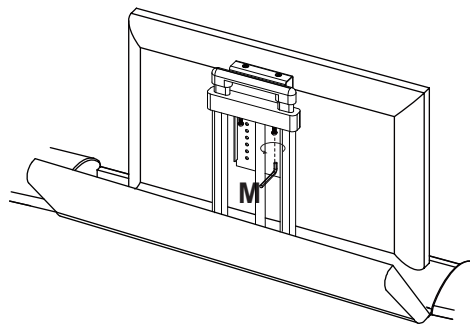
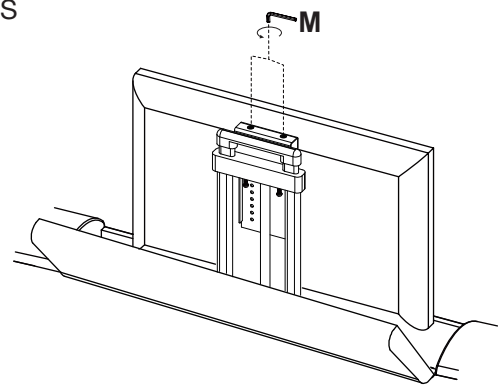


x1

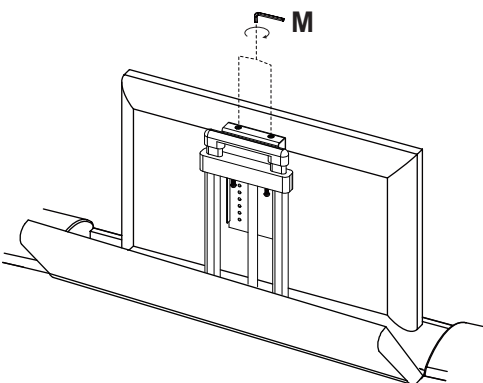
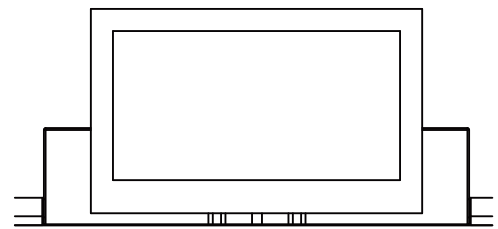
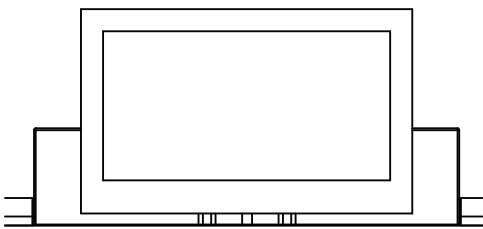
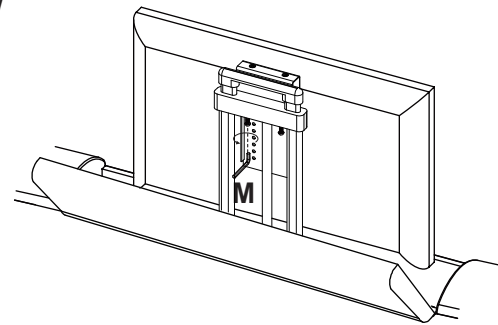
TV MOUNTING SYSTEM IS
LEVELLED DURING
MANUFACTURE.
IF YOU EVER NEED TO DO IT
AGAIN, PLEASE FOLLOW THIS
METHOD.



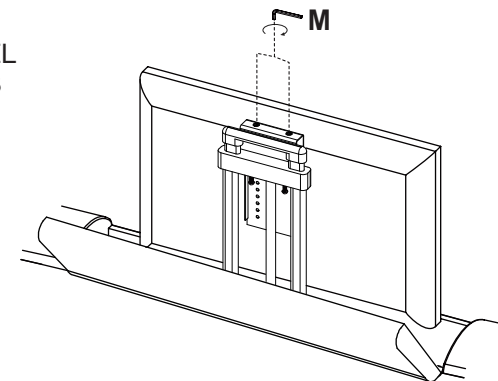
UNLOCK SCREWS



ADJUST SCREW



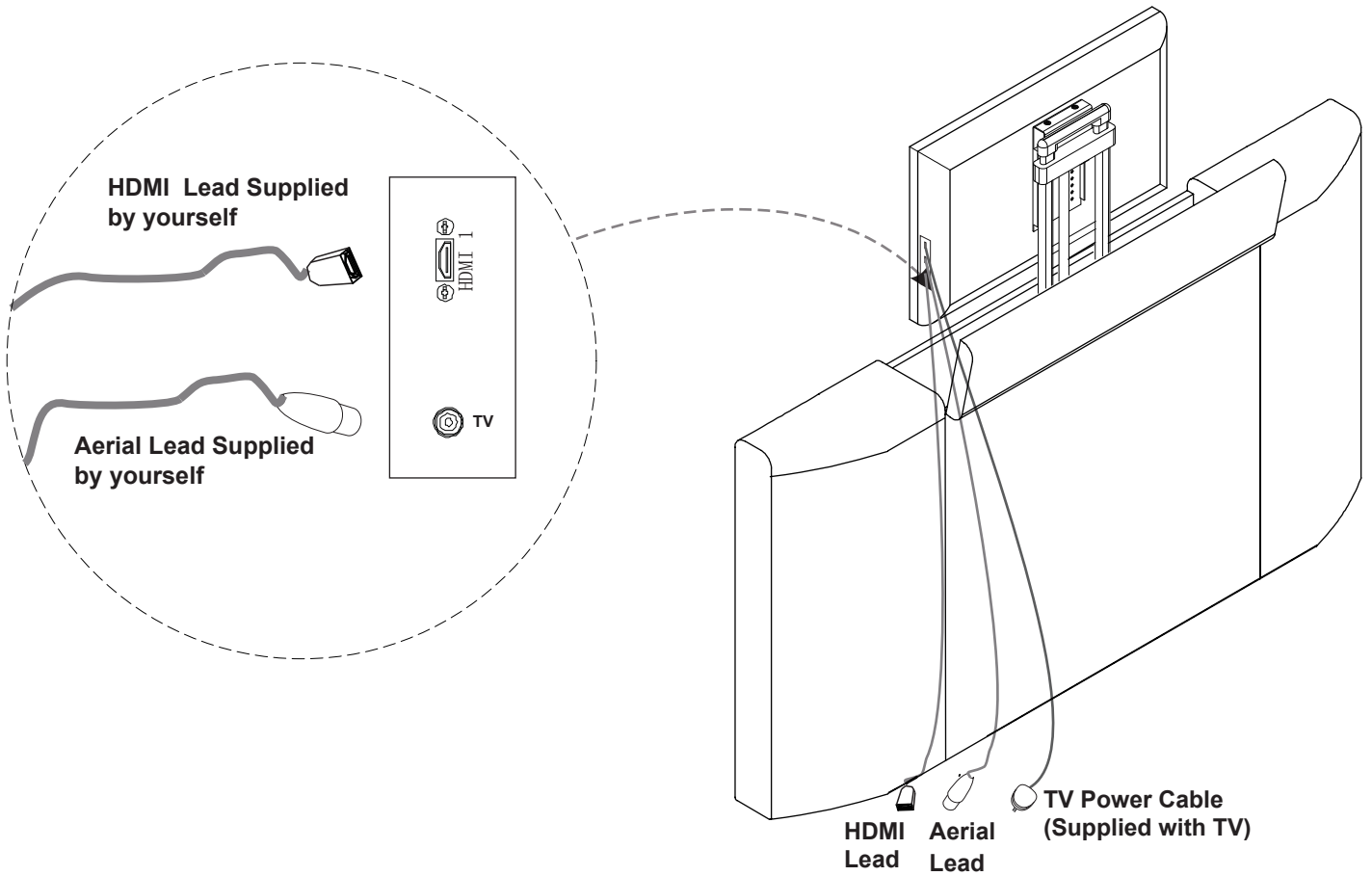
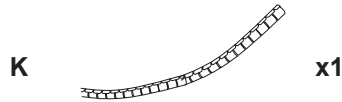
WHEN TV IS LEVEL
- LOCK SCREWS



TV INSTALLATION

Stage

5



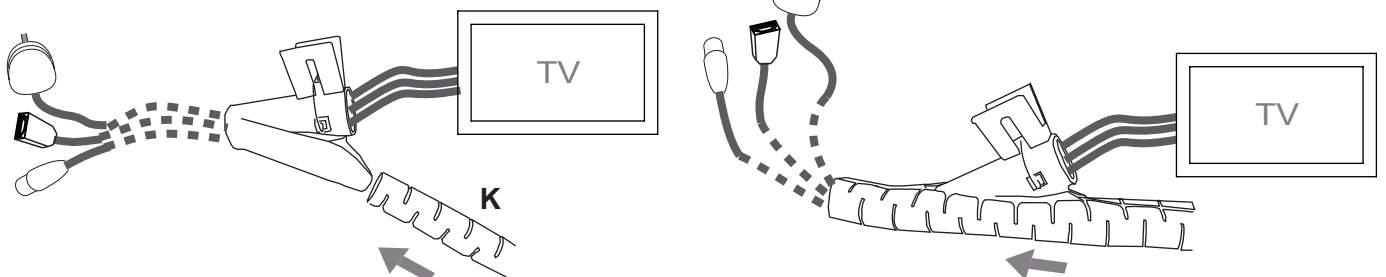
A

Close to TV, place the the cable management clip over the cables.



B

C



Feed tube in this direction-hold clip firmly in place

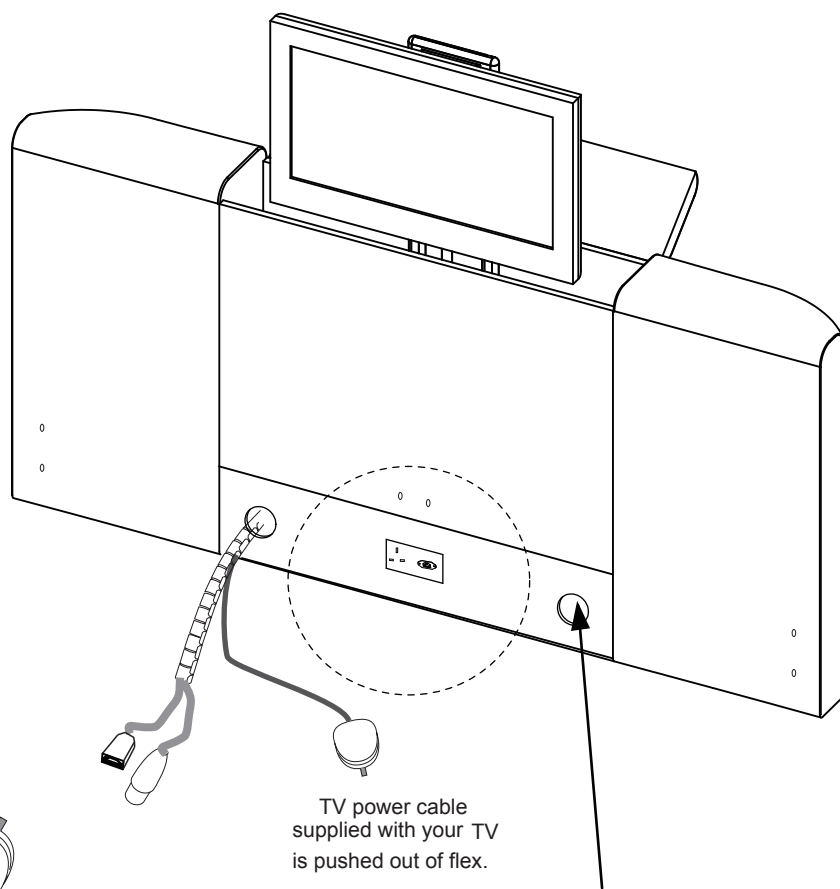
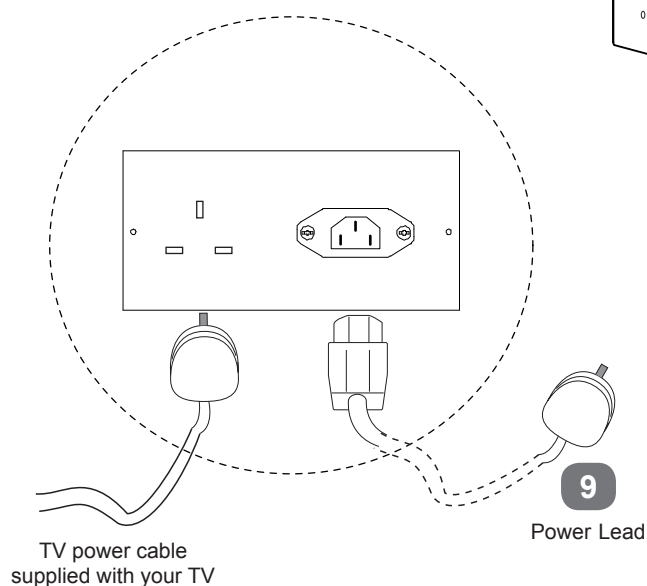
TV INSTALLATION

Stage

6

Connect the 3 Pin plug on the power lead (9) into the socket located at the bottom of the footboard (2), then connect to a wall socket.

Note that the plug needs to be connected to an earthed wall socket or earthed extension lead, otherwise there is a risk of electric shock. The socket must be easy to reach if you need to disconnect the power.



Use left or right duct, depending on the ports that are on your TV - take the shortest route.

Connect your own media cables as required.

Connect the cables to the television & media equipment making sure the cables are not loose.

If necessary use cable clips & cable ties to route and fix cables safely, use (F) & (Q).

The television can now be operated following the steps in the TV Operation Manual.

To lower the television back into the footboard, push TV lift down until it locks..

Note: when TV is fitted, it is easier to push down due to balance of the weight.

When TV is down in rest position, power to TV turns off automatically.

When TV is raised, power turns back on automatically.

Trouble-shooting

If your television does not operate please check all the power connections, both to the wall and to the socket in the footboard. Make sure TV is switched on.

Note: TV will only work when it is in the raised position.

TV INSTALLATION

PLEASE NOTE THIS VERY IMPORTANT INFORMATION:

IT IS IMPORTANT THAT AFTER THE INITIAL ASSEMBLY OF YOUR TV, ALL CABLES INCLUDING AERIAL - HDMI - TV POWER AND ANY AUXILLARY CABLES THAT YOU FIT YOURSELF ARE SECURELY POSITIONED CLOSE TO THE BACK OF THE TV USING THE CABLE CLIPS & CABLE TIES PROVIDED.

THE CABLE CLIPS & CABLE TIES ARE PROVIDED FOR YOUR SAFETY AND THE SAFETY OF THE EQUIPMENT. THESE ARE TO PREVENT ANY ENTRAPMENT OF CABLES DURING THE OPERATING OF THE TV LIFT WHEN IT IS MOVING IN EITHER THE UP OR DOWN MODE. THEY ARE PROVIDED TO HELP YOU MAKE CERTAIN THAT CABLES CANNOT GET TRAPPED.

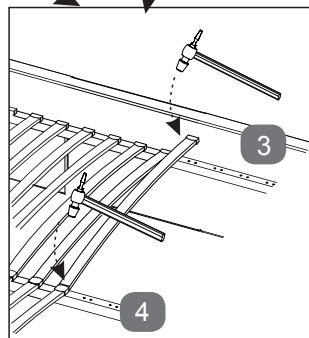
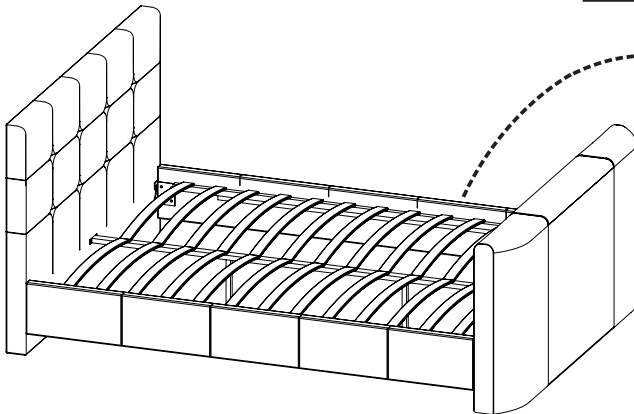
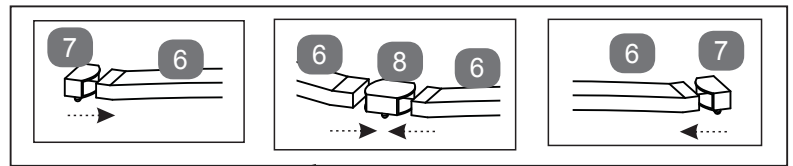
ROUTE THE CABLES IN STRAIGHT LINES WHERE POSSIBLE; TIE THE CABLES TOGETHER THEN FIT THE SELF-ADHESIVE CABLE CLIP CLOSE TO BACK OF THE TV LEADING THE CABLES DOWN THE DUCT ON LEFT OR RIGHT SIDE AS APPROPRIATE.

WE CANNOT BE HELD RESPONSIBLE FOR ANY DAMAGE TO TV OR DAMAGE TO CABLING, DUE TO POOR CABLE MANAGEMENT AND THEREFORE CABLES BECOMING TRAPPED BECAUSE THEY ARE NOT INSTALLED CORRECTLY.

AFTER YOU HAVE FINISHED THE INSTALLATION THERE SHOULD BE NO LOOSE CABLES AT ALL.

BED ASSEMBLY

Stage
7



Fix slat (6) to double plastic cap (8).
Fix single caps (7) to each end.
Then connect onto centre support bar (4) & metal support rails of side panels (3) by gently pushing lugs down into the holes.