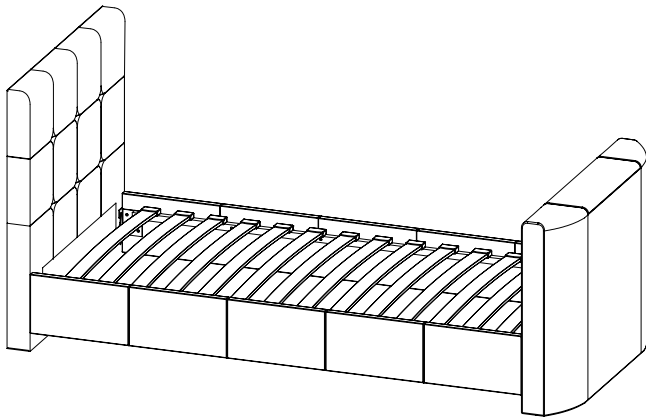




# Alpha Media Sound Bed Single Size - 3-0



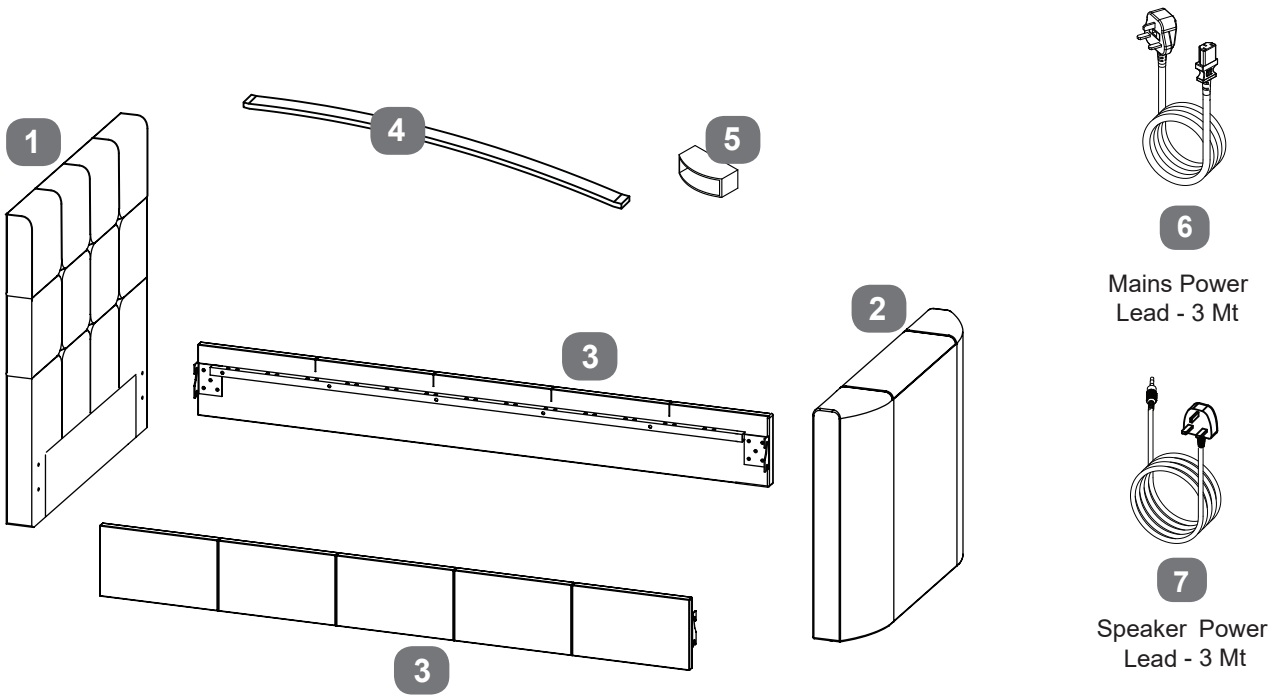
**PLEASE READ** this sheet prior to assembly to familiarise yourself with the various stages of construction. Carefully open the pack supplied and check the contents against the parts and fittings check list in this guide. Do not destroy any of the packaging until you are certain that you have all the necessary parts for the assembly.

**Please ensure that the packaging is disposed of in a safe, environmentally friendly way.**

*CAUTION: There are small components used in the construction of this unit. These loose items should be kept away from young children whilst assembling your unit, to avoid the danger of a choking hazard.*

**IMPORTANT: BEFORE STARTING TO ASSEMBLE THE BED - PLEASE READ THESE INSTRUCTIONS CAREFULLY.**

## Parts Identification



## Parts Checklist

Ref.	Description	Qty	Ref.	Description	Qty
1	Headboard	1	5	Single Plastic Slat Caps	28
2	Footboard	1	6	Mains Power Lead - 3 Mt	1
3	Side Panels	2	7	Speaker Power Lead - 3 Mt	1
4	Wooden Slats	14			

## **Warnings**

- Before using the TV Lift please carefully read this Assembly Instruction
- Retain these instructions for future reference
- Tools are included when stated in the parts list - retain & occasionally check bolts are still tight
- This bed is for indoor use only
- Keep small parts out of reach of children
- The bed is intended for a maximum weight of 100kg in total
- The bed should only be used on a firm & level floor
- The TV Lift mechanism has a CE Certification so it is safe to use in the UK
- Keep product away from temperatures over 35°C
- Use only good quality cables
- When you are ready to start, make sure you have the correct tools, plenty of space and a clean dry area for assembly
- Check the pack and ensure you have all the listed parts
- Due to the size of the product we recommend it is assembled in the room intended for use
- Ensure the product is fully assembled as illustrated
- Make sure the feet are always in contact with the floor
- Regularly check all the fittings are tight & that there are no loose cables that could get trapped
- Keep this product away from open flames such as fires or candles

## **Please:**

- Don't use power tools to assemble this product
- Don't over-tighten fittings
- Don't stand or jump on the product
- Don't sit on the side panels or footend
- Don't let the product be exposed to direct sunlight or extreme temperatures e.g. radiators
- Don't let water or heavy moisture near the bed itself or onto the electrical parts
- Don't put vases of flowers on or near the bed
- Don't insert objects into the TV compartment
- Don't try to service this product yourself and never use any lubricants
- Don't try to repair the mechanism - seek expert help - contact your retailer
- Don't exceed the weight limit
- Don't let children play with the mechanism

# Safety and Care Advice

## **Warning - Electrical Components**

- Unplug the unit during lightning storms or when unused for long periods of time
- The main power plug & socket should be easily accessible - this is how the power is disconnected
- Plug the three pin power plug on the power lead into the socket in the footboard before switching on power at the wall socket, the socket must be earthed.
- Never try to repair this product yourself, contact your retailer - trying to remove panels or repairing the unit yourself could result in an electric shock
- Do not expose the TV remote control and battery to excessive heat such as sunshine or an open fire
- Servicing is required if the mechanism has been damaged in any way - contact your retailer
- If the mechanism has got wet - turn off power immediately & seek expert help
- If objects fall into the TV compartment, turn power off before attempting to retrieve them
- If unit does not operate normally - turn off the power & seek help from an expert or your retailer
- The TV mains power socket mounted into the footboard is a special safety socket & no other socket should be used to power TV
- Using this socket the TV will not operate when it is down in the lower resting position - power is restored when TV is raised up

## **Care Instructions**

- For PU finish, wipe with a clean damp cloth. If there are any stubborn marks, use a non-abrasive dampened cloth
- For Fabric finish, use a light vacuum cleaner to collect any dust from the surfaces
- Do not use solvent based cleaners or detergents as they can bleach or damage the finish
- Do not use scourers, abrasives or chemical cleaners

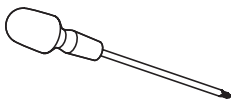
## Fittings Checklist

Code	Description	Qty	Code	Description	Qty
A	Bolts (M8x30mm) for fitting side panels (3) to headboard & footboard (1&2).	x8	E	Cable Clips	x3
B	Spring Washers (For M8 bolts)	x8	F	Cable Ties	x3
C	Flat Washers (For M8 bolts)	x8	G	Allen Key (4mm)	x1
D	Allen Key (5mm)	x1	H	Cable Management Clip	x1
			J	Cable Management Tube	x1

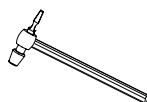
## TV INSTALLATION KIT

L	Screw-Washer sets (M8x25mm)	x4	M	Allen Key (5mm)	x1
	Counter-Sunk Screws (M6x12mm)	x4		Allen Key (4mm)	x1
	Counter-Sunk Screws (M4x12mm)	x4		Allen Key (3mm)	x1
N	M6 Nuts and Flat Washers for fitting TV Mounting Bracket	x2	P	Spanner for fitting M6 nuts (N)	x1

## Additional Tools Required



Cross-head Screwdriver



Light hammer

## Care & Maintenance

In the unlikely event of missing or damaged parts, please contact the customer service team on 0800 084 2684. When calling this number please quote the part code reference numbers shown in this guide, to properly identify spare or replacement parts.

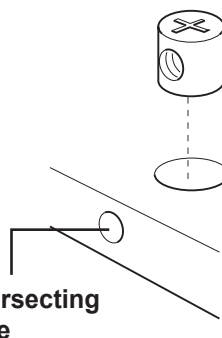
## General Hints & Tips



Please retain your assembly instruction and any tools provided for future use. Regularly check that all bolts remain tight.



This assembly requires two people.



If barrel nuts are supplied as part of the assembly process, when fitting them into the panels, ensure they are the correct way round, so the hole is facing towards the intersecting hole.

We recommend the bed is assembled in the room it will be located in.

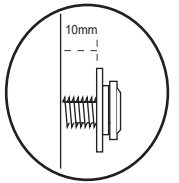
# Bed Assembly

Stage

1

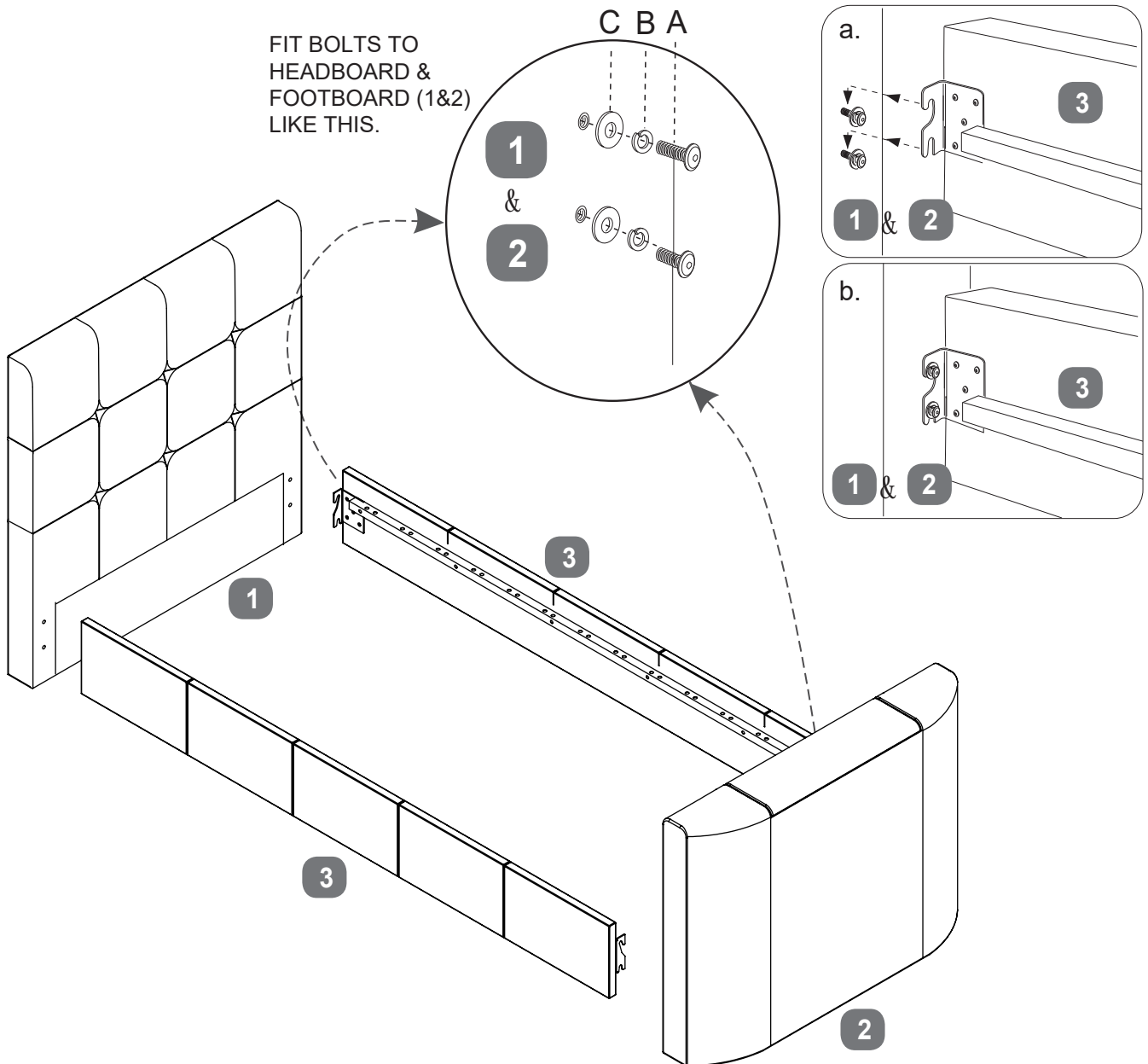
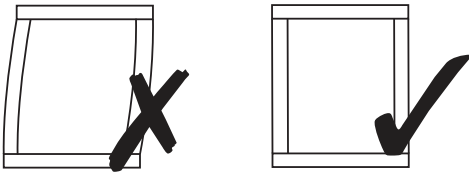


Loosely insert two bolts (A) with spring washers (B) and flat washers (C) into each side of headboard & footboard. Do not fully tighten the bolts, leave 10mm protruding as in the diagram.



Fit the side panels (3) locating the brackets behind the flat washers.

Once all four corners are located, make sure the bed is square then tighten the bolts 100%.



# PREPARE TO INSTALL TV

Stage

2

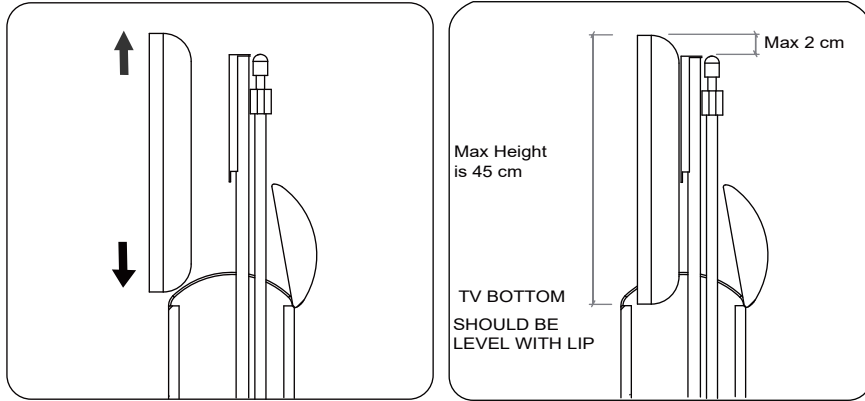
Before fitting the television to the TV lift, please check below:

Maximum Dimensions of TV that can fit to this bed;

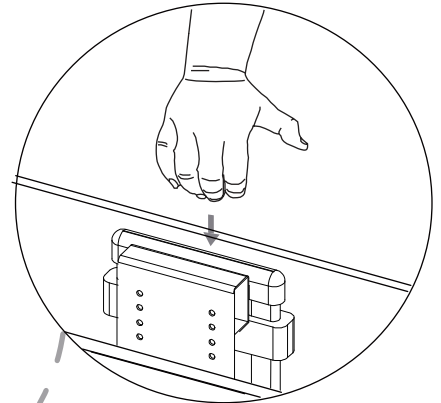
Width = 74cm

Height = 45cm

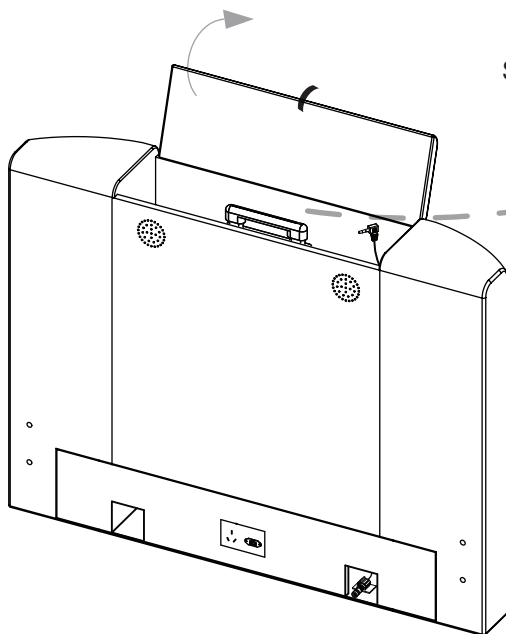
Depth = 5.5cm



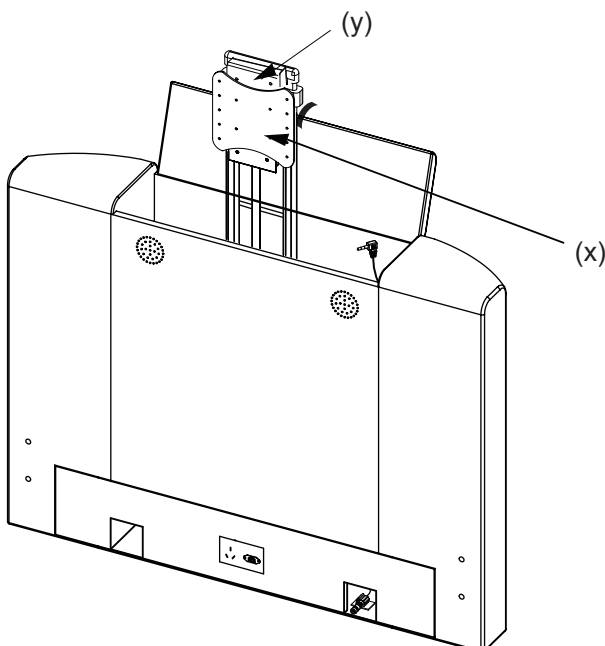
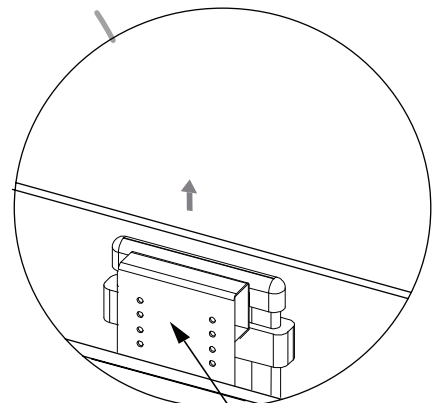
STEP 1:  
TO RELEASE LOCK,  
PRESS DOWN GENTLY  
UNTIL LIFT STOPS



Shown with TV bracket removed for clarity



STEP 2:  
RELEASE & LET LIFT RISE  
TO THE TOP



TV mounting bracket (x) is factory fitted.  
If your TV has a 75 x 75mm VESA fixing  
remove the bracket & fit TV directly to column bracket (y).

For 100 x 100, 200 x 100 or 200 x 200mm VESA, use the  
bracket (x).

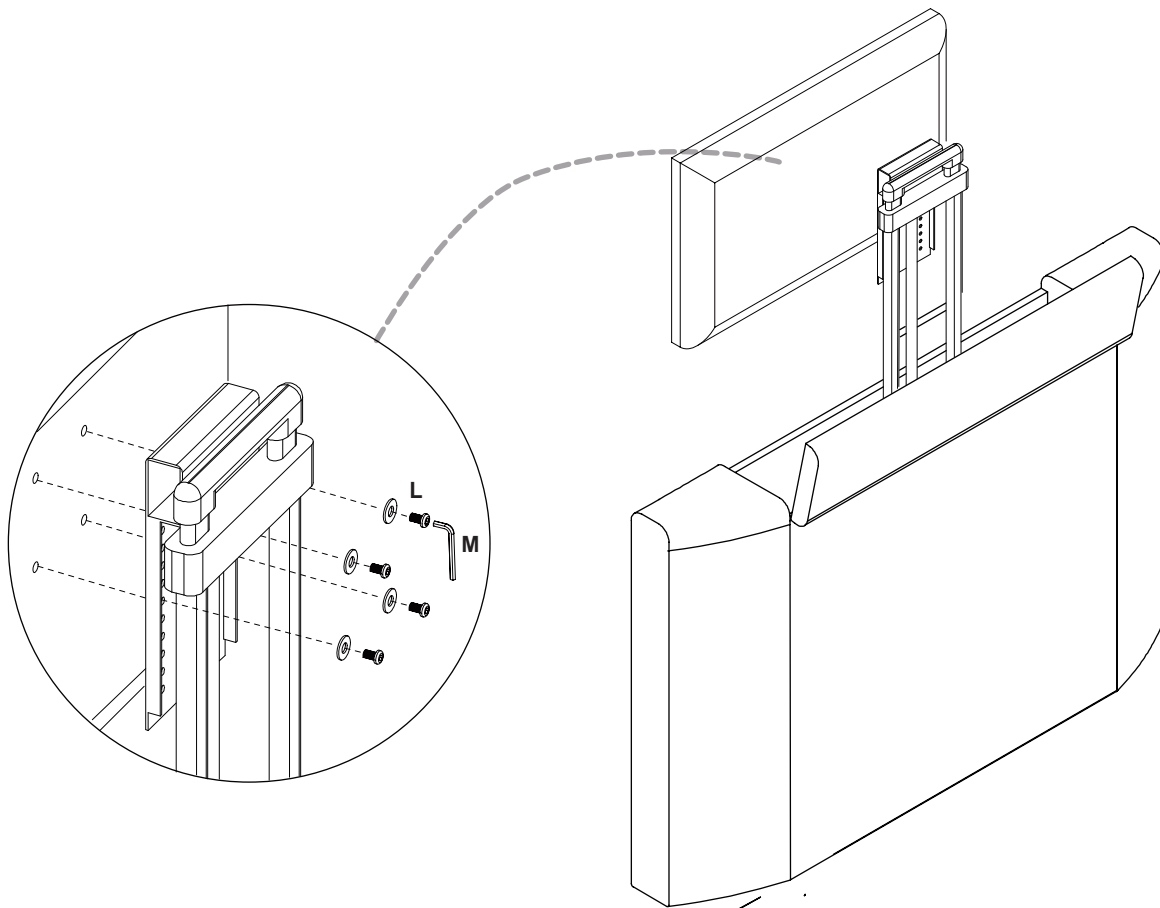
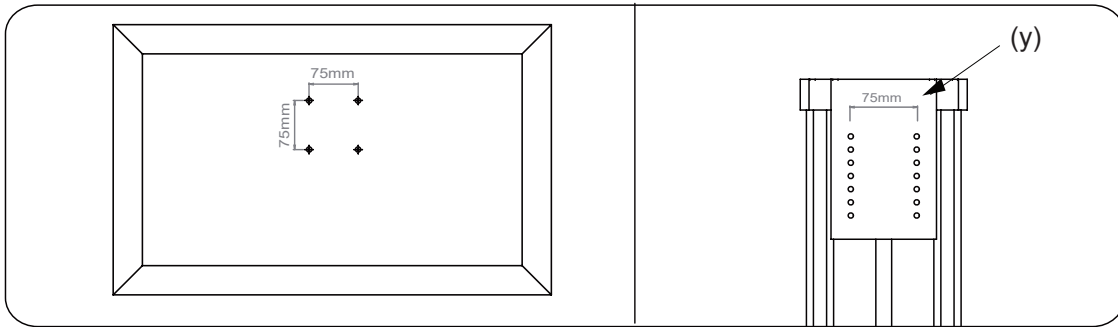
Fit bracket to TV first making sure it is level, use screws  
supplied with TV or from the TV installation kit that is in  
with the main hardware pack. If none of the screws are  
correct size for your TV, please source suitable ones from  
your local hardware store.

# TV INSTALLATION - WITHOUT BRACKET (Direct to (y))

Stage  
**3a**

## TV INSTALLATION KIT

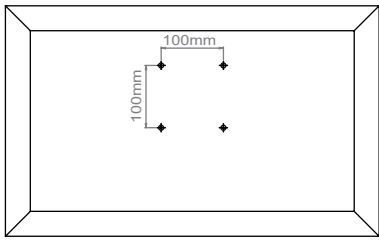
<b>L</b>	Screw-Washer sets (M8/M6/M4)		<b>x4</b>
<b>M</b>	Allen Key (5mm/4mm/3mm)		<b>x1</b>



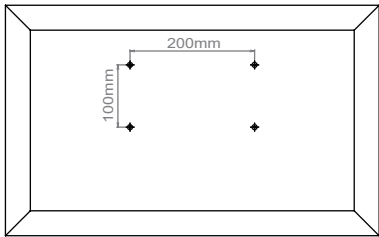
# TV INSTALLATION - USING BRACKET (x)

Stage  
3b

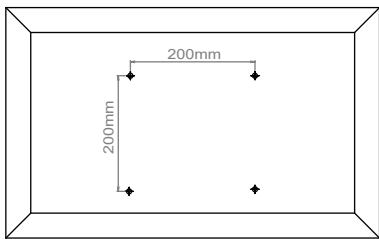
## FITTING TV MOUNTING BRACKET



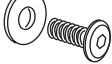
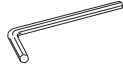


or



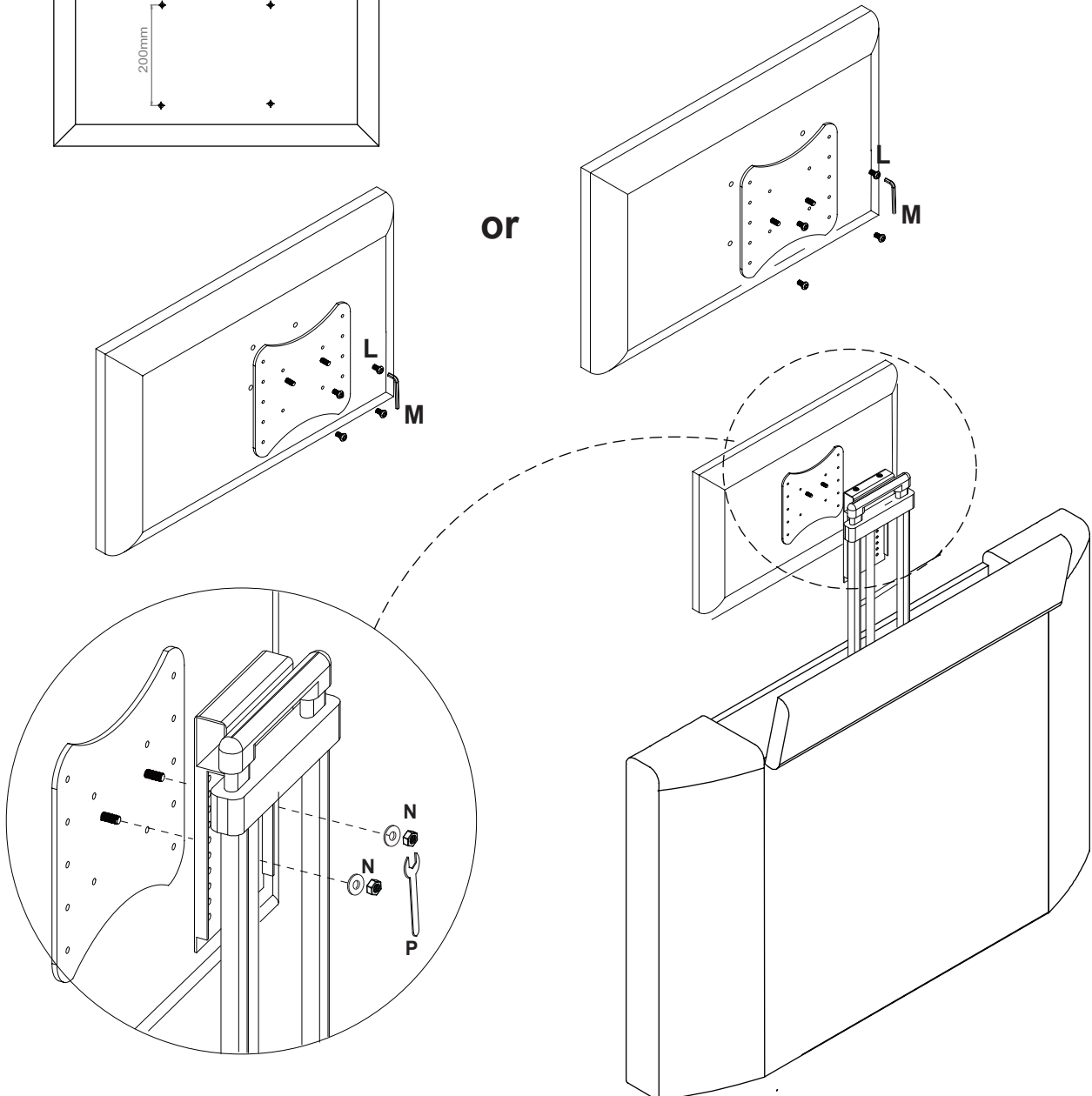
or



## TV INSTALLATION KIT

<b>L</b>	Screw-Washer sets (M8/M6/M4)		<b>x4</b>
<b>M</b>	Allen Key (5mm/4mm/3mm)		<b>x1</b>
<b>N</b>	Nuts and Flat Washer for TV Mounting Bracket		<b>x2</b>
<b>P</b>	Spanner for fitting M6 nuts (N)		<b>x1</b>

NOTE THAT IF NECESSARY, THE BRACKET (x) CAN BE TURNED UP-SIDE DOWN TO GIVE MORE ADJUSTMENT





# TV INSTALLATION

Stage  
4

**M** Allen Key (4mm)



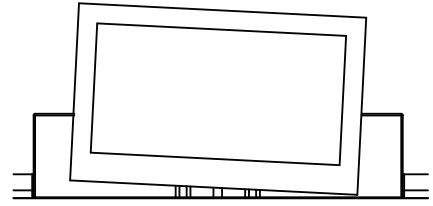
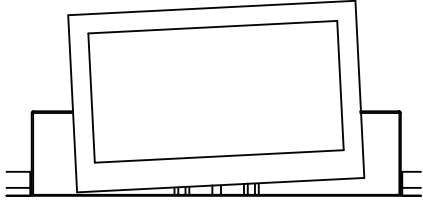
x1

**P** Spanner for fitting M6 nuts (N)



x1

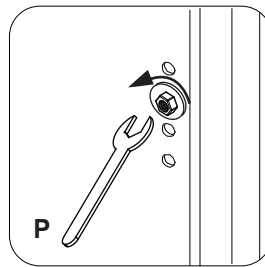
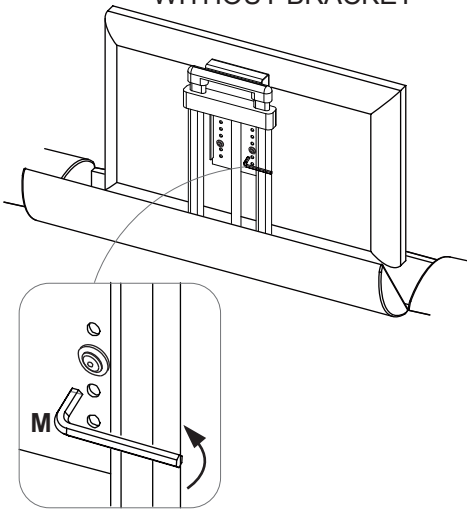
TV MOUNTING SYSTEM IS LEVELLED DURING MANUFACTURE. IF YOU EVER NEED TO DO IT AGAIN, PLEASE FOLLOW THIS METHOD.



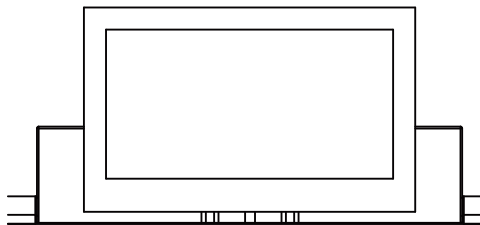
UNLOCK SCREWS

WITHOUT BRACKET

WITH BRACKET



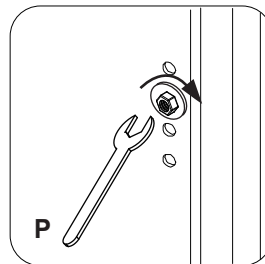
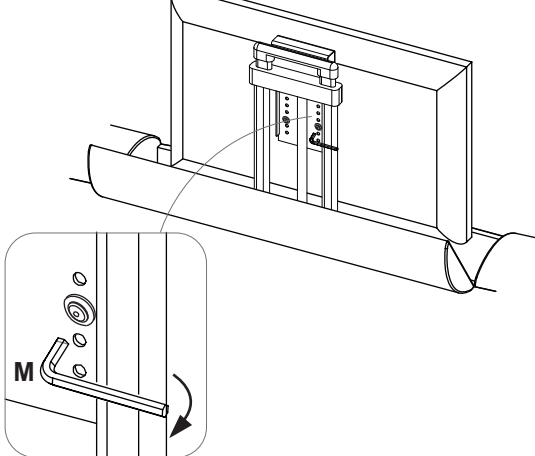
ADJUST TV TO LEVEL



LOCK SCREWS

WITHOUT BRACKET

WITH BRACKET

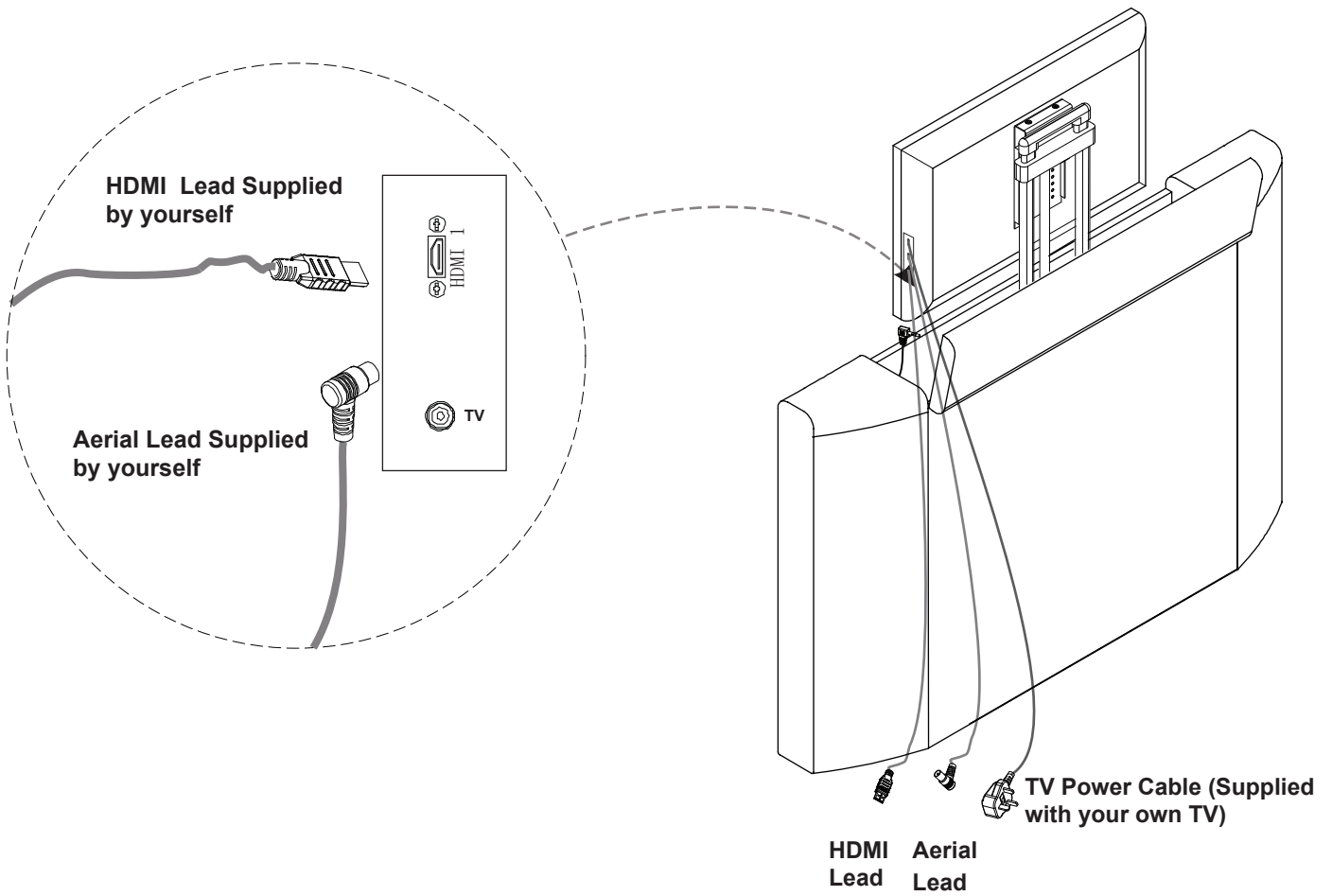


WHEN LOCKING SCREWS, PLEASE HOLD TV AND KEEP LEVEL.

# TV INSTALLATION

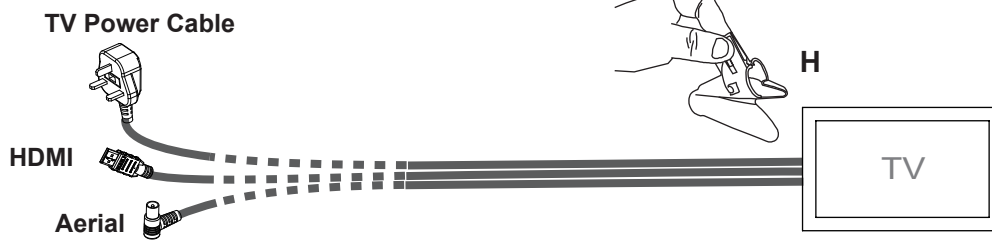
Stage

5



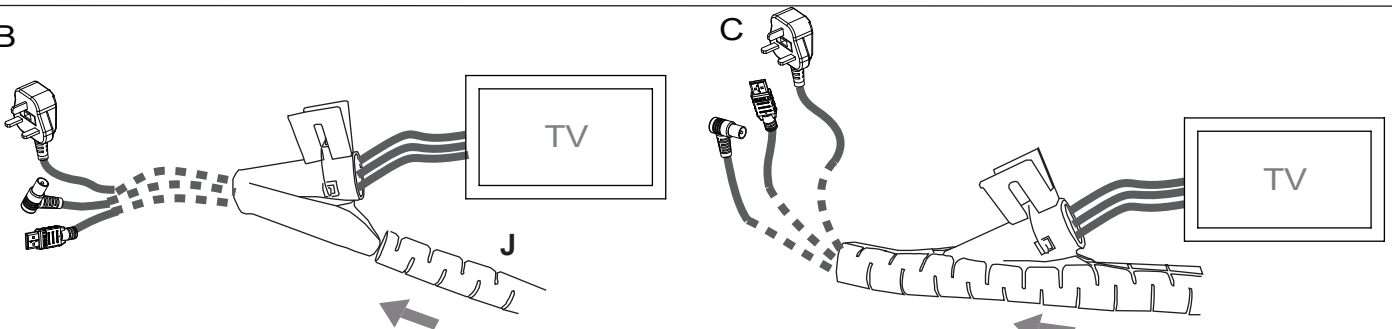
A

Close to TV, place the the cable management clip over the cables.



B

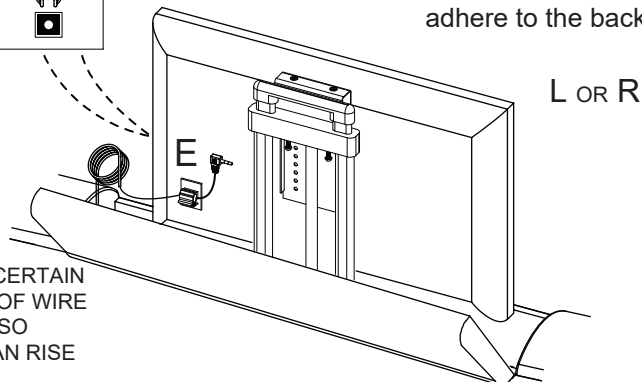
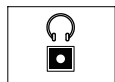
C



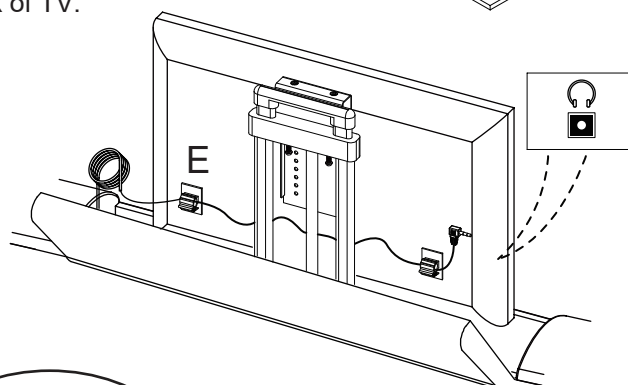
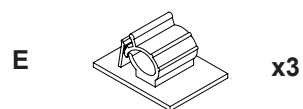
Feed tube in this direction-hold clip firmly in place

## CONNECTIONS

Stage  
6



Keep wires tidy - peel off cover from cable clips (E) & adhere to the back of TV.

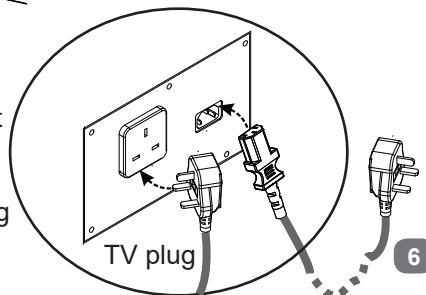


YOU MUST MAKE CERTAIN THERE IS A LOOP OF WIRE FROM TV TO CLIP SO SPEAKER WIRE CAN RISE AND FALL EASILY

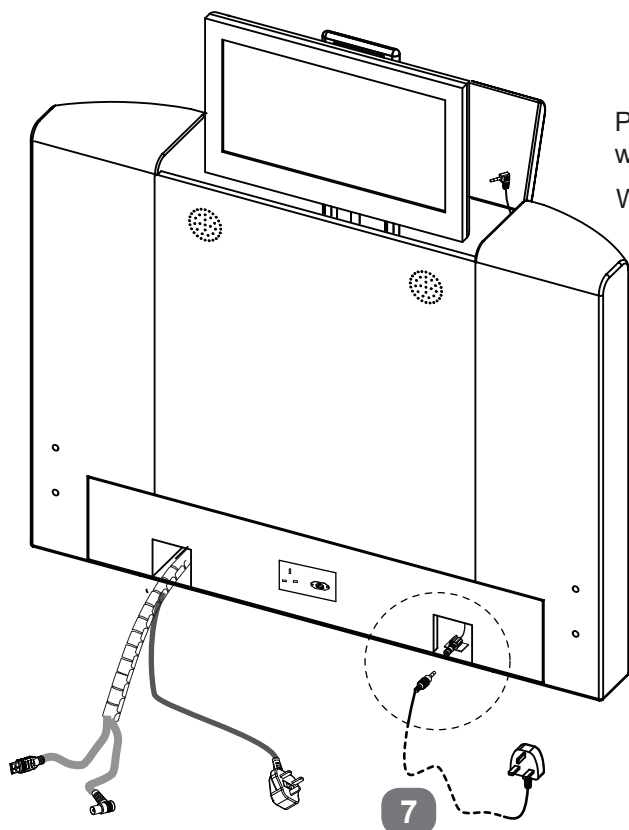
Stage  
7

Connect the 3 Pin plug on the power extension lead (6) into the socket located at the bottom of the footboard, then connect to your wall socket.

Note that the plug is earthed and the power supply socket must be earthed too. The plug connection must be easy to reach if you need to disconnect the power quickly.

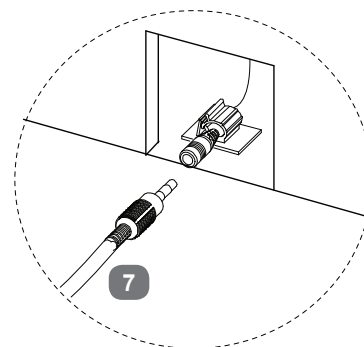


On the Mains Power Lead, note that the plug (6) is earthed and the power supply socket must be earthed too. The plug connection must be easy to reach if you need to disconnect the power quickly.



Push TV plug into the footboard socket - note this is only for use with the TV as the power supply is not permanent.

When TV is down, power is switched off.



At the bottom RH side of footboard, connect Amplifier to Speaker Power cable (7) by pushing plug & socket together...

When connecting Bluetooth on your smartphone, search & connect to 'BT SPEAKER'. Note that only one person can connect to the Bluetooth system and must disconnect to allow a second person to connect.

To lower the television back into the footboard, use the palm of your hand and push the hand-pad right down to the bottom and the TV Lift will automatically lock in place..

When TV is down in the lower rest position, power to TV turns off automatically.

When TV is raised up again, power turns back on automatically.

### Trouble-shooting

If your television does not operate please check all the power connections, both to the wall and to the socket in the footboard. Make sure TV is switched on.

Note: TV will only work when it is in the raised position.

---

## INSTALLATION

### PLEASE NOTE THIS VERY IMPORTANT INFORMATION:

IT IS IMPORTANT THAT ANY AUXILLARY CABLES THAT YOU FIT YOURSELF ARE SECURELY POSITIONED CLOSE TO THE BACK OF THE TV USING THE CABLE CLIPS & CABLE TIES PROVIDED.

THE CABLE CLIPS & CABLE TIES ARE PROVIDED FOR YOUR SAFETY AND THE SAFETY OF THE EQUIPMENT. THESE ARE TO PREVENT ANY ENTRAPMENT OF CABLES DURING THE OPERATING OF THE TV LIFT WHEN IT IS MOVING IN EITHER THE UP OR DOWN MODE. THEY ARE PROVIDED TO HELP YOU MAKE CERTAIN THAT CABLES CANNOT GET TRAPPED.

ROUTE THE CABLES IN STRAIGHT LINES WHERE POSSIBLE; TIE THE CABLES TOGETHER THEN FIT THE SELF-ADHESIVE CABLE CLIP CLOSE TO BACK OF THE TV LEADING THE CABLES DOWN THE DUCT ON LEFT OR RIGHT SIDE AS APPROPRIATE.

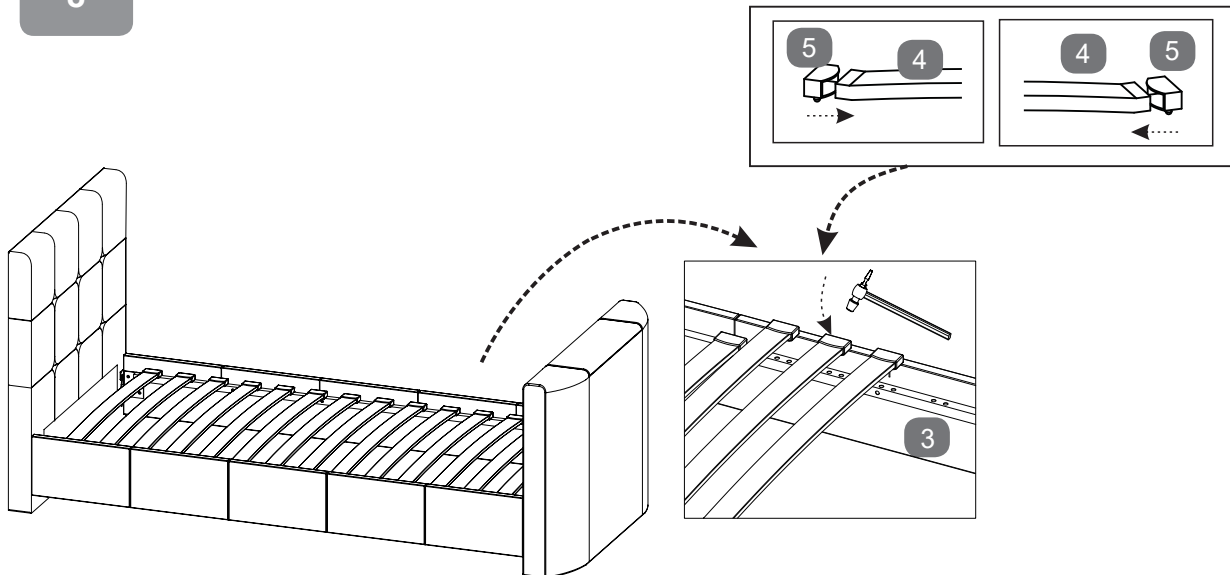
WE CANNOT BE HELD RESPONSIBLE FOR ANY DAMAGE TO TV OR DAMAGE TO CABLING, DUE TO POOR CABLE MANAGEMENT AND THEREFORE CABLES BECOMING TRAPPED BECAUSE THEY ARE NOT INSTALLED CORRECTLY.

AFTER YOU HAVE FINISHED THE INSTALLATION THERE SHOULD BE NO LOOSE CABLES AT ALL.

---

## BED ASSEMBLY

Stage  
8



Fix single plastic caps (5) to each end of wood slats (4) then connect onto metal support rails on each side panels (3) by aligning the lugs and gently tapping with a light hammer.