

SAFTY PRECAUTIONS

- * Do not modify this product without prior authorization;
- * Do not place the product near any fire source;
- * Do not wash the exterior and interior of the product with water;
- * Do not use this product outdoors or in direct sunlight;
- * Do not grind anything other than coffee beans;
- * Do not allow children to touch or operate this product;
- * Do not squeeze, pull, knot or damage the power cord;
- * If the power cord is damaged, in order to avoid the risk of electric shock, it must be replaced by the manufacturer or after-sales service professionals.

PARAMETERS

Item	Coffee grinder
Model	DF64V
Item size	L20*W10*H33CM
Carton size	L40*W32*H18CM
N.W	3.9KG
G.W	5.0KG
Rated power	300W
Burr	64MM FLAT
Capacity of grinder collar	30G
Capacity of bellow	30G

PRESENTATION

1. Lid

Wood lid

2. Bellow

Food grade silicone

3. Popcorning device

6063 aluminum alloy with anodizing

4. Adjusting disk

6063 aluminum alloy with anodizing

5. Scale indicator ring

6063 aluminum alloy with anodizing

6. Dial scale

6063 aluminum alloy with anodizing

7. Outlet chute

6063 aluminum alloy with anodizing,
Detachable and magnetic type,
Easy to clean

8. Body

6063 aluminum alloy with anodizing

9. Speed adjustment rotary knob

Matte rubber paint treatment

10. Display panel

RPM adjustment display

11. Base

6063 aluminum alloy with anodizing

12. Dosing cup

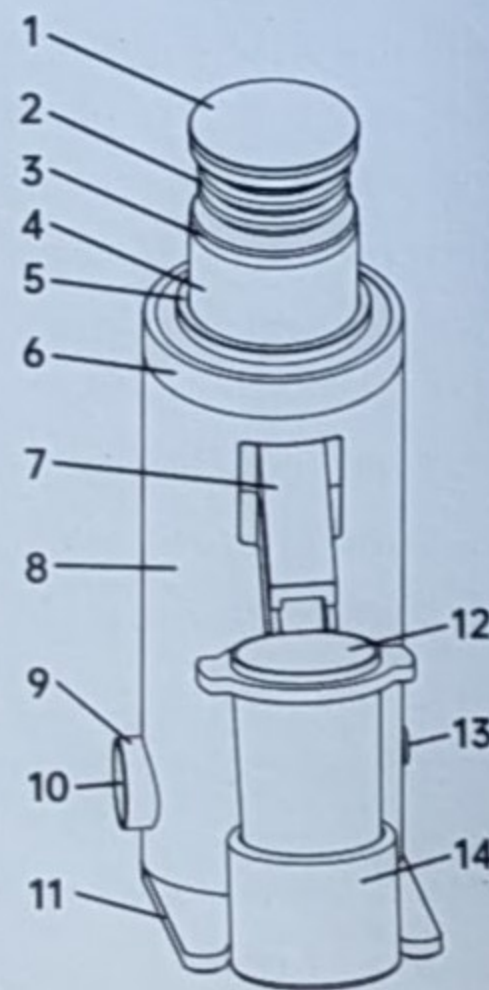
6063 aluminum alloy with anodizing

13. On/off switch

Start motor

14. Cup stand

Wood



GRIND ADJUSTMENT

Easy stepless adjustment to any desired grind coarseness.

Note:

Please adjust the coarseness whilst there are no coffee beans in the grinder, or whilst the grinder motor is running.



MOTOR SPEED ADJUSTMENT

1. Speed range from 600 to 1800RPM;

2. The speed increases by 100RPM by turning one grid clockwise, The speed is reduced by 100RPM by turning one grid counterclockwise;

3. The speed can be adjusted before or after the motor starts.



ACCESSORIES

1. Dosing cup

6063 aluminum alloy with anodizing.

2. Bellow hopper

With lid allows for the gentle compression of air to minimizing coffee grinds retention.

3. Water Spray Bottle

To assist in eliminating static impacting coffee grinds.

4. Cleaning Brush

To help maintain a clean grinder and workspace.

OPERATING INSTRUCTIONS

STEP 1 Plug the grinder, the left display panel light and show the current RPM;

STEP 2 Adjust to the needed speed, press down the right switch to start motor;

STEP 3 Open lid to put coffee bean after the motor works (Suggest spritz the beans with 1-2 pumps of water from the bottle to reduce static when in dry weather);

STEP 4 After grinding is done, press bellow to blow out the residual coffee ground;

STEP 5 Press the switch again to stop the motor. Take off the upper half magnetic chute to clean with a brush.

CLEANING PROCESS OF GRINDER

STEP 1 Start machine, use bellow to clean the coffee grinds retention in the chamber, then power off;

STEP 2 Take off the upper half chute, then use a brush to clean the outlet and chute;

STEP 3 Rotate the dial scale anticlockwise to take off the adjustment parts group (adjusting disc / scale indicator ring / dial scale);

STEP 4 Take off upper burr carrier, use a brush to clean burrs and chamber;

STEP 5 Assemble the upper burr carrier back, as well as the adjustment parts group.

HOW TO DEAL WITH MOTOR JAM

1. Stop the motor;
2. Unplug the machine, take off the lid, pour out coffee beans;
3. Plug the machine again, turn the motor speed to 1800 rpm, set the grind to coarser, press switch to restart motor.

If grind on low speed, please put coffee beans slowly to prevent motor jam.

HOW TO REDUCE STATIC

It's incredibly simple, and you'll only need one piece of equipment: The fine mist water spray bottle supplied with this grinder.

1. Pour some water into the spray bottle.
2. Weigh out your beans in a dosing vessel (see note).
3. Spritz the beans with 1-2 pumps of water from the bottle.
4. Shake or stir the beans with a teaspoon to ensure the droplets are evenly distributed.
5. Place the moist beans in the grinder hopper and start grinding.

Note: Do not use the dosing cup you intend to catch your ground coffee in as any residual moisture in the dosing cup will result in ground coffee being retained in the dosing cup.

WARRANTY AND AFTER SALES SERVICE

The warranty period is one year from the date of purchase. Under the warranty period the company will provide a full range of warranty services in instances of product failure (excluding any failure due to misuse or inappropriate operation). Proof of purchase is required for any warranty claims. The warranty covers:

1. Free repair of faulty machines
2. Free replacement of faulty parts (excluding any consumables such as burr sets)
3. Items stipulated by law

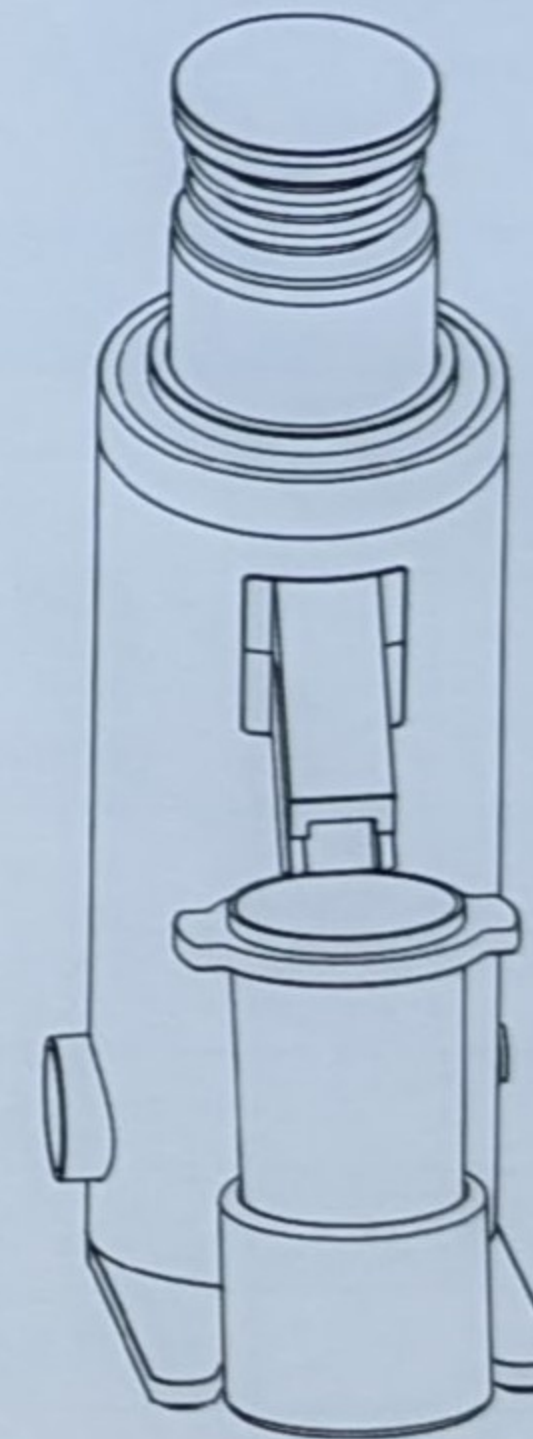
EXCEPTIONS

Product failure or damage in one of the following situations is not covered by the warranty.

1. Product failure caused by unauthorized use;
2. Product failure caused by dismantling the machine without authorization;
3. Product failure caused by failure to operate in accordance with the instructions;
4. Obtain the product by illegal means;
5. Product failure caused by force majeure;
6. Products repaired by unauthorized third party Personnel without contacting the company and its authorized dealers.

DF64V COFFEE GRINDER INSTRUCTIONS

VARIABLE SPEED & ALL PURPOSE



Please read this manual thoroughly before use.
Keep this manual in a safe place for future reference.