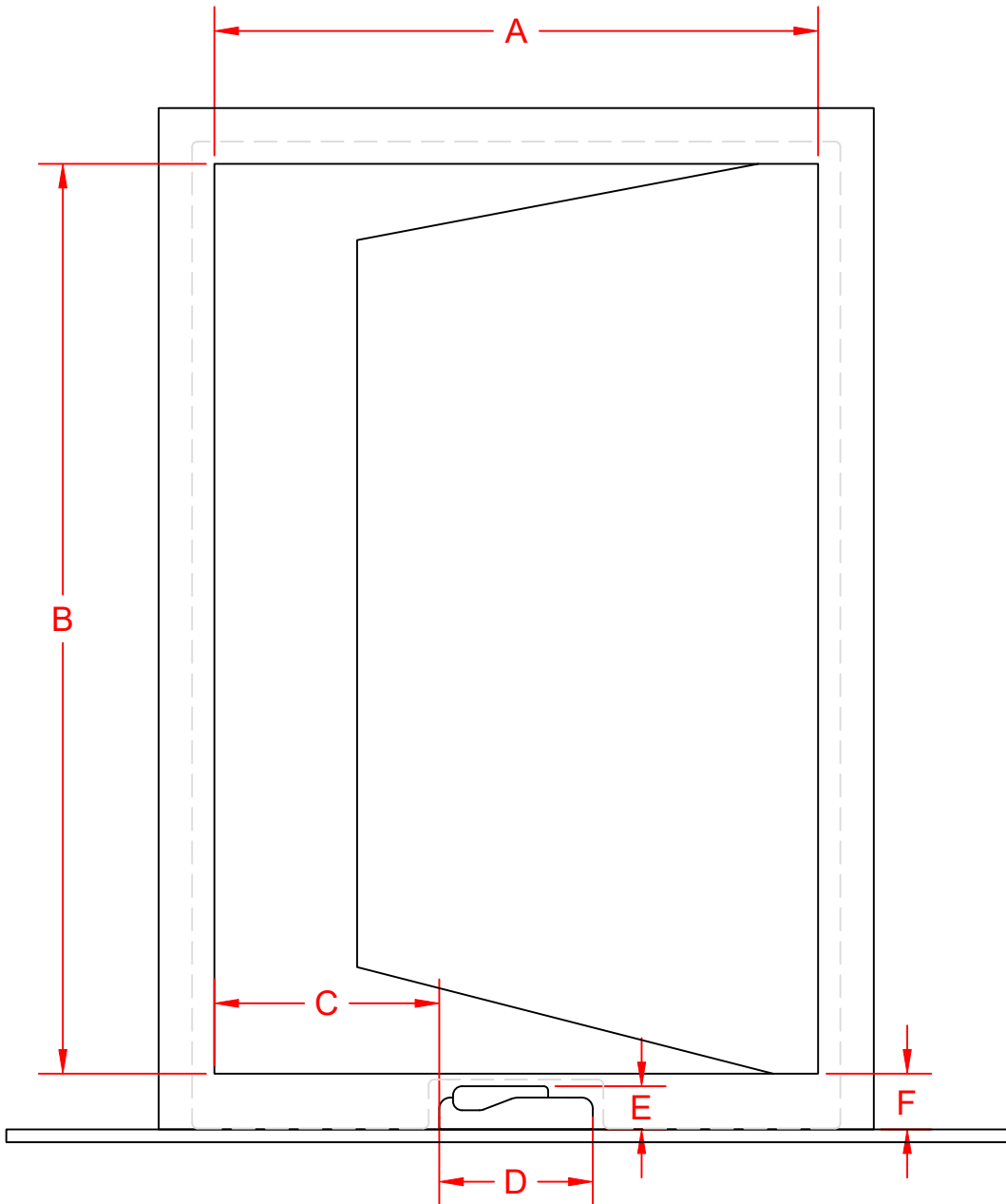


# Notching around crank



A \_\_\_\_\_  
(width of window frame opening)

B \_\_\_\_\_  
(height of window frame opening)

C \_\_\_\_\_  
(window opening to start of crank)

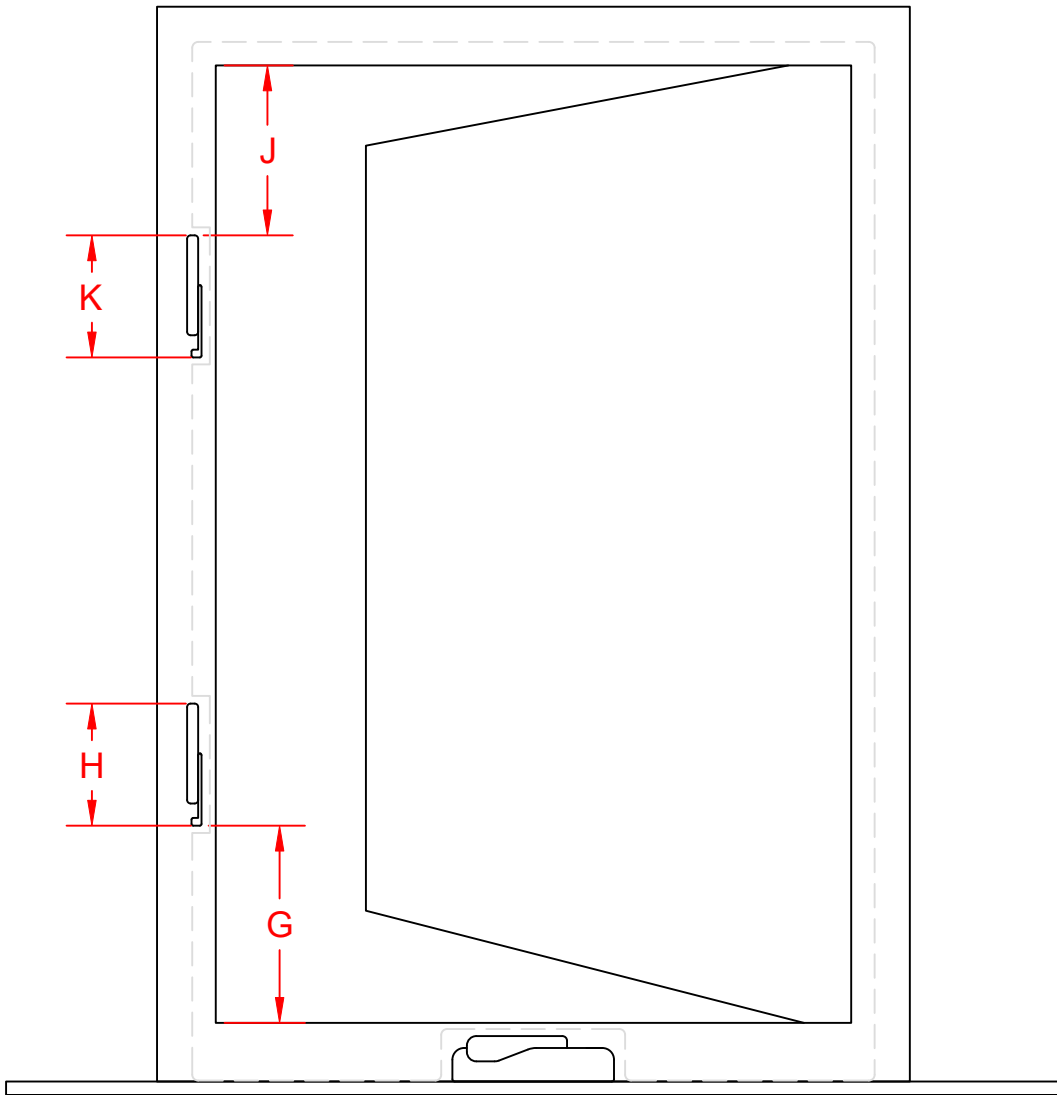
D \_\_\_\_\_  
(width of crank)

E \_\_\_\_\_  
(height of crank)

F \_\_\_\_\_  
(height of window frame)

*dashed line represents window insert*

# Notching around lock(s)



G  
\_\_\_\_\_  
(window opening to bottom of lock)

H  
\_\_\_\_\_  
(height of window lock)

J  
\_\_\_\_\_  
(window opening to top of lock)

K  
\_\_\_\_\_  
(height of window lock)

*dashed line represents window insert*