

data sheet
RK-HUB

WHAT IS IT?

A powerful network interface for use with a Rako wireless system.

A network and cloud interface with time based functionality as well as conditional logic and advanced system features.

The RK-HUB can be free standing or wall mounted, using the bracket provided.

Network interface for Rako wireless systems with built in cloud services interface, time and advanced programming features.



NETWORK INTERFACE

Plugged either directly, or via a network, into a router, giving the system the following features; App Control, System Programming and 3rd Party Control system interface.

CLOUD INTERFACE

Allows the Rako system to be integrated with 3rd party cloud services via a 'my.rakocontrols.com' account including Amazon Alexa, Google Home, Apple Homekit and Sonos integration.

REAL-TIME CLOCK FUNCTIONALITY

Real-time functionality, allowing timed events, holiday mode, dawn/dusk settings and calendar scheduling. The location and time zone of the HUB can be set for anywhere in the world.

ADVANCED/CONDITIONAL PROGRAMMING

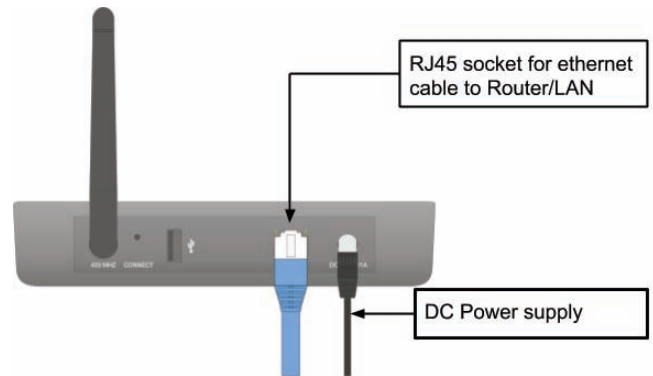
Mapping and Macro control allow advanced programming with conditional outputs from either a wired or wireless trigger command.

data sheet
RK-HUB

technical data

dimensions	150x150x30mm
input supply	12V d.c. from RAPSU or equivalent. Connection to concentric jack.
weight	300g
climate range	Temperature +2C to +40C Humidity +5% to 95% non condensing
communication	433.9MHz coded fm radio, FSK Transceiver Connection via RJ45 (ethernet) port to LAN
memory	256 MB DDR3
storage	4 GB eMMC
connections	RJ45 Socket - Ethernet Concentric jack - 12V Power USB port (unused)
standards	Emissions - EN61000-6-3 : 2001 Immunity - EN61000-6-1 : 2001

connection details



mechanical data

