

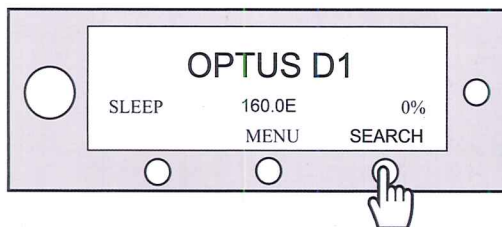
Operating your NZSat Auto

1. Turn on system



- Press the Large Power button
The Dish will Close to shut down position and enter into Sleep Mode.

2. Start Satellite Search

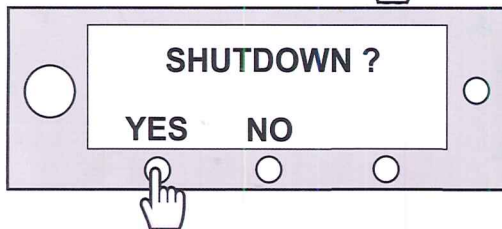


- Press **SEARCH / DEPLOY** to start Searching.
The Dish will begin to Search for the target Satellite.
(This can take upto approx 5min in some cases)

3. CLOSE / STOW the dish

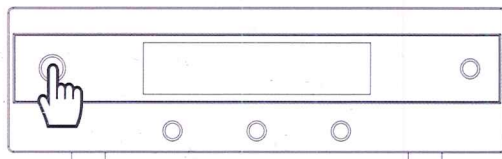


- To Retract the dish before driving the vehicle
- Press **CLOSE / STOW**
- Then choose **YES to Shutdown**, wait for the dish to shut down then move onto Step 4.



If you have connected the Yellow Ignition+ wire, the system will automatically shut down on vehicle startup.

4. Power Off System



- To Power Off the System
- Press the large Power button.

Warning: PLEASE ensure the dish has Closed DOWN before driving.



NZSAT[®]
AUTOMATIC

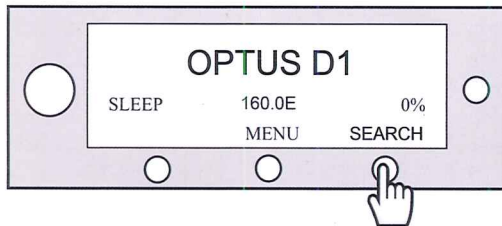
Operating your NZSat Auto

1. Turn on system



- Press the Large Power button
The Dish will Close to shut down position and enter into Sleep Mode.

2. Start Satellite Search



- Press **SEARCH / DEPLOY** to start Searching.

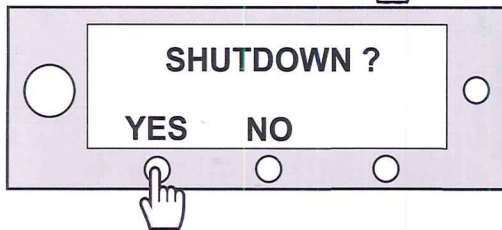
The Dish will begin to Search for the target Satellite.
(This can take upto approx 5min in some cases)

3. CLOSE / STOW the dish

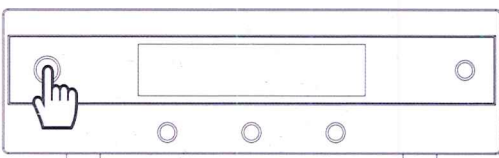


- To Retract the dish before driving the vehicle
 - Press **CLOSE / STOW**
 - Then choose **YES to Shutdown**, wait for the dish to shut down then move onto Step 4.

If you have connected the Yellow Ignition+ wire, the system will automatically shut down on vehicle startup.



4. Power Off System



- To Power Off the System
 - Press the large Power button.

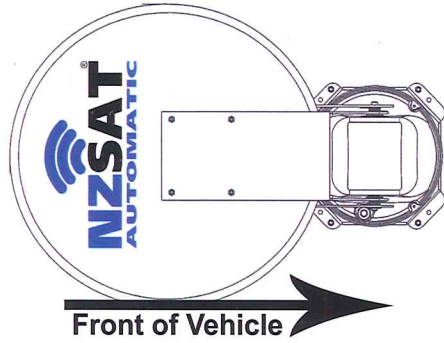
Warning: PLEASE ensure the dish has Closed **DOWN** before driving.



NZSAT[®]
AUTOMATIC

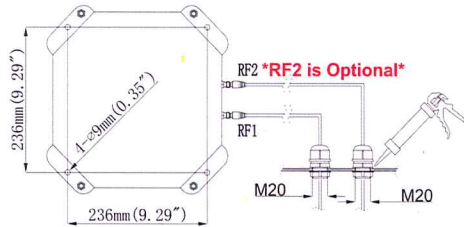
Installation

1. Select a location for the ODU (Outdoor Unit)



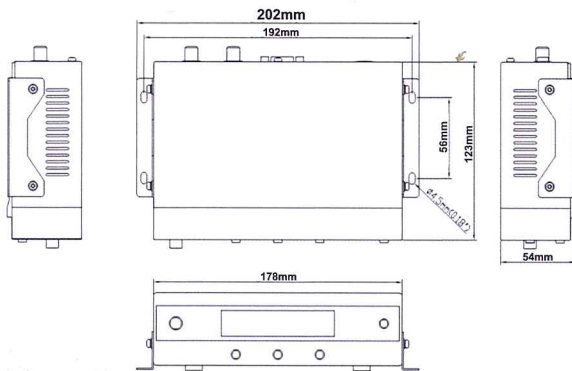
- Pick an area on the roof of your mobile home that will allow the ODU to be mounted as flat and level and strong as possible. With good support that will permit the dish, once fitted and raised, to have a full 360 degree rotation and elevation range.
- Mind the direction of Travel

2. Mount the ODU



- Drill the mounting holes and cable access hole to prepare the site for installation.
- Ensure that all screw fixings are covered with sealant to ensure that there are no leaks into the RV.

3. Mount the IDU (Indoor Unit)



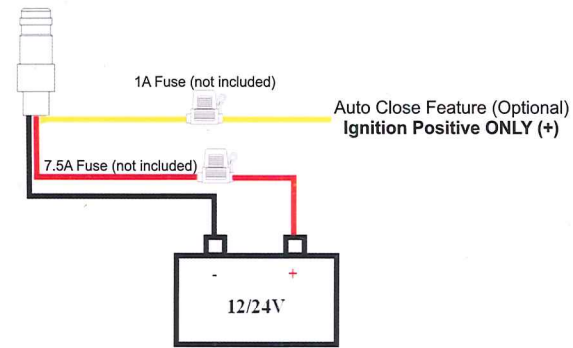
- Dry place is required for IDU to be mounted
- Drill the mounting holes prepare the site for installation.

Red: Positive + 9-30vDC (7.5A Fuse Required)
Black: Ground/Negative of Battery (-)

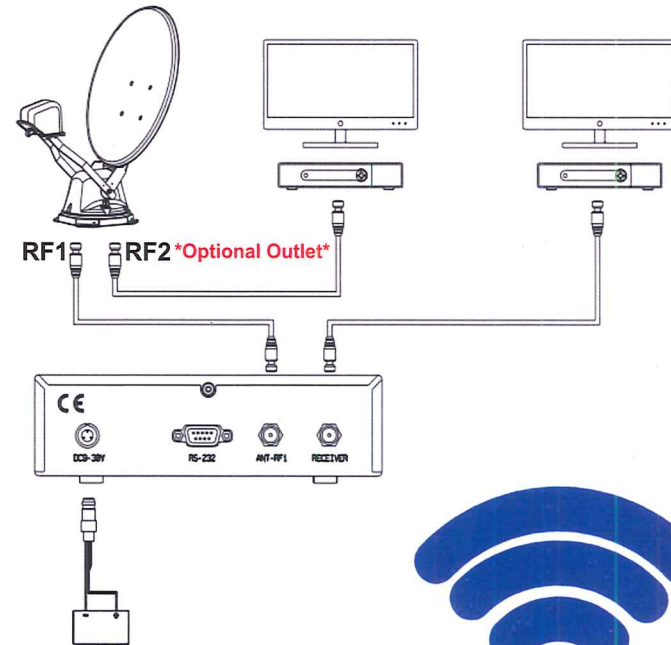
Optional Auto Close Feature:

Yellow: Ignition Positive (+) ONLY (1A Fuse Required)

4. Power cable

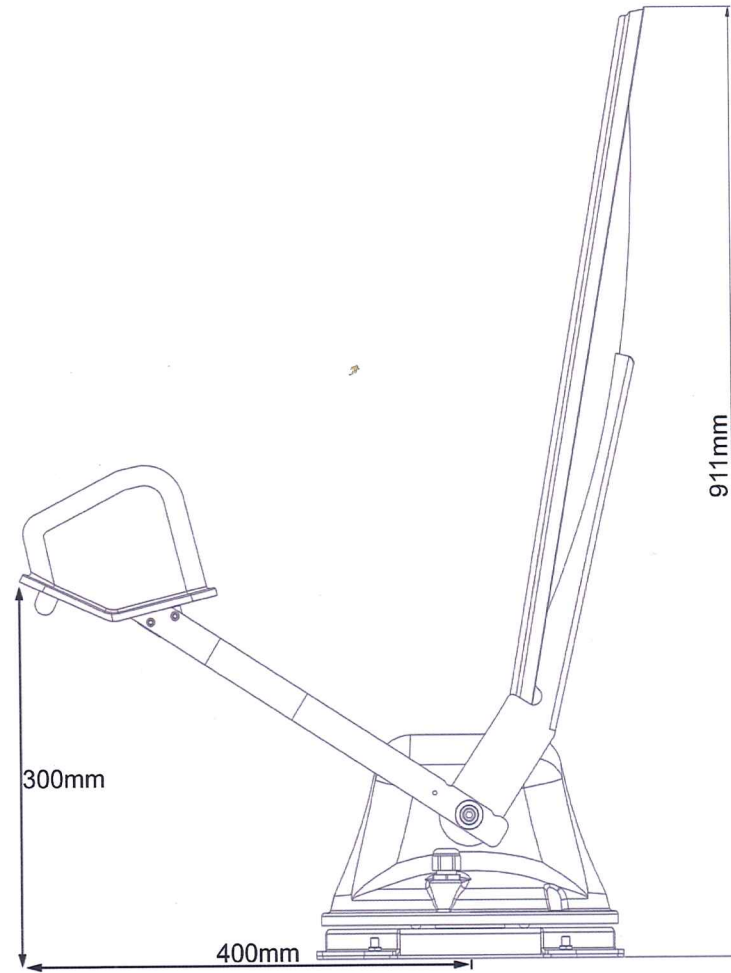
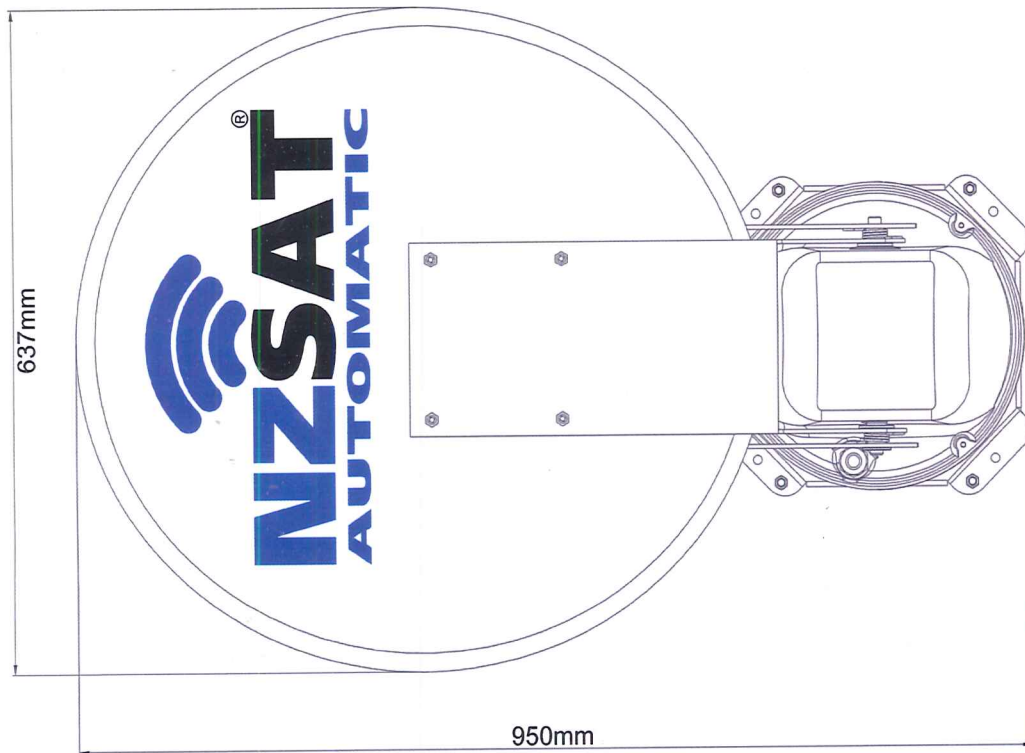
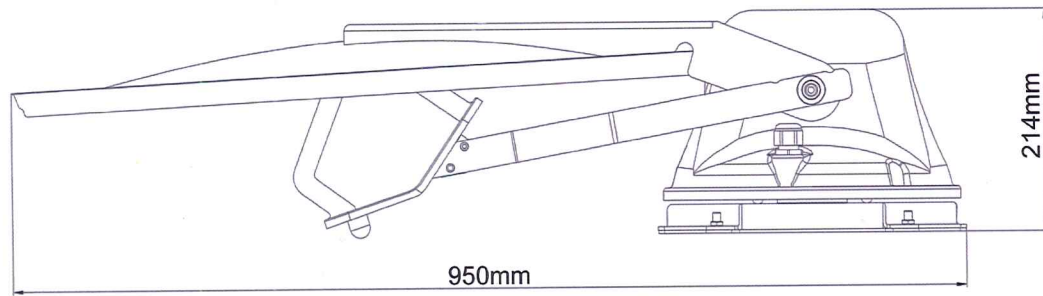


5. Wiring Diagram



NZSAT
AUTOMATIC

Diagram



Operating Radius: 400mm

