

MOBICOOL COOKER RANGE

MC101 & MC102

AUG 2018



Mobile living made easy.

 **DOMETIC**



MOBICOOL COOKER RANGE

MC101 & MC102

Mobile living made easy.

 **DOMETIC**

MC101 COOKER

- **Hob:**
 - 3x gas burner (1x Rapid + 2x semi rapid burners)
 - 1x Electrical hotplate (1000W)
 - Enamelled surface - Easy cleaning
 - Recessed surfaces - Spill friendly design
- **Oven**
 - 39 litre oven
 - Fan forced cooking
- **Grill**
 - Shelves designed for ease of handling
- **Safety**
 - Flame failure device on all gas burners
 - Electric microswitch shut off when lid closed
 - Gas safety switch off valve when lid closed
- **Installation**
 - Side cut out handles for easy lifting
 - Square corner side trims – preferred design for majority caravans builders



2018-09-21

3

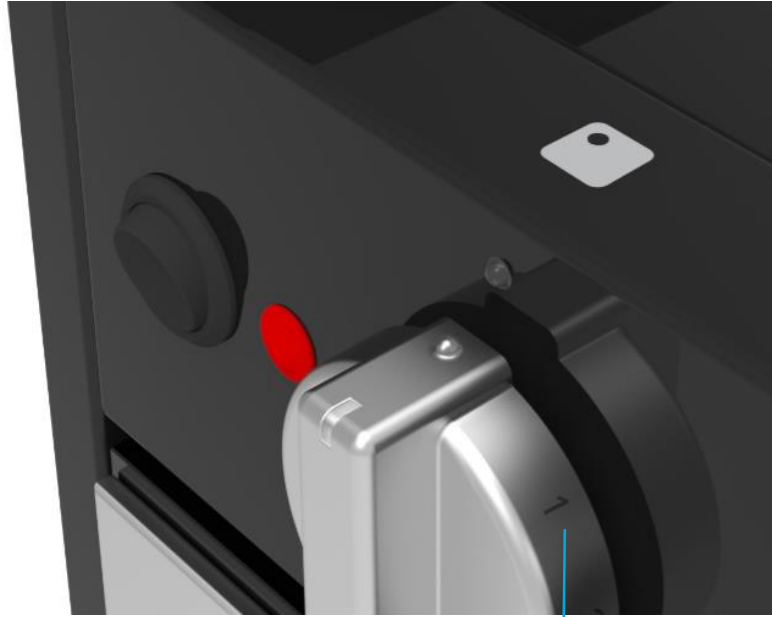
MC102 COOKER

- **Hob:**
 - 3x gas burner (1x Rapid + 2x semi rapid burners)
 - 1x Electrical hotplate (1000W)
 - Enamelled surface - Easy cleaning
 - Recessed surfaces - Spill friendly design
- **Grill**
 - Shelves designed for ease of handling
- **Safety**
 - Flame failure device on all gas burners
 - Electric microswitch shut off when lid closed
 - Gas safety switch off valve when lid closed
- **Installation**
 - Side cut out handles for easy lifting
 - Square corner side trims – preferred design for majority of caravans builders

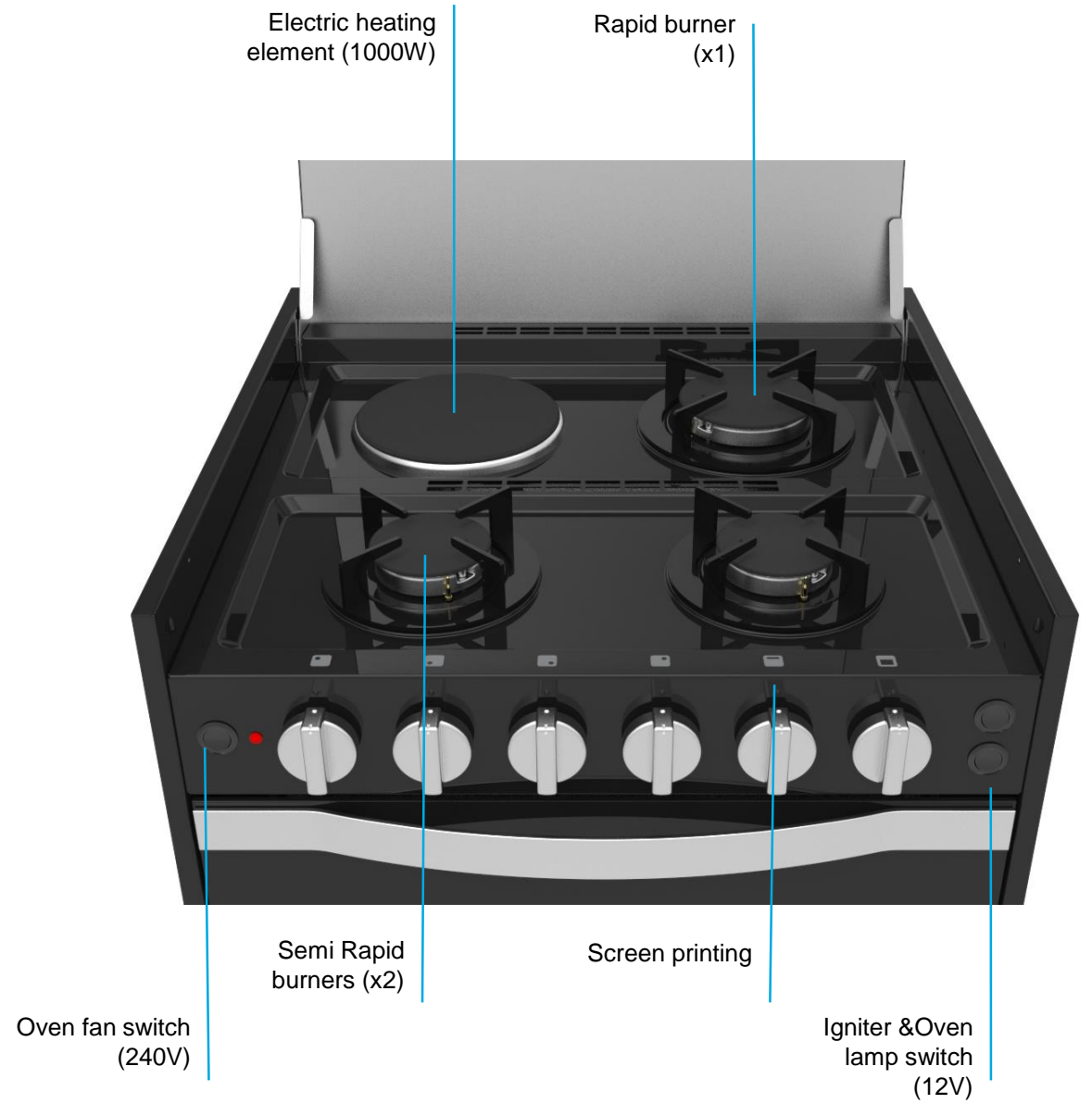


DETAILS

Hob



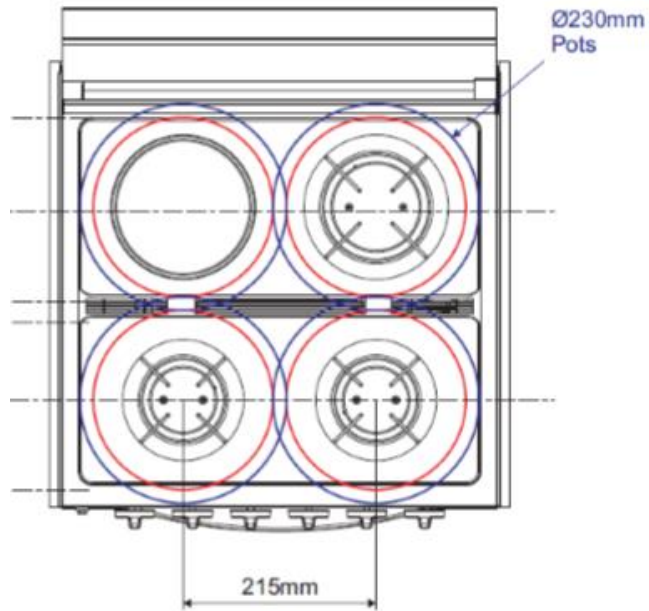
Marking on knobs and fascia -
Easy to read from a close
vertical position



DETAILS

Practical design

- Compatible with larger pots
- Good prehension knobs and handles
- Marking easy to read from close range position



Knobs – easy to grab

Handle - Easy to grab

Recessed surfaces
- Spill friendly

DIMENSION & WEIGHT

MC101

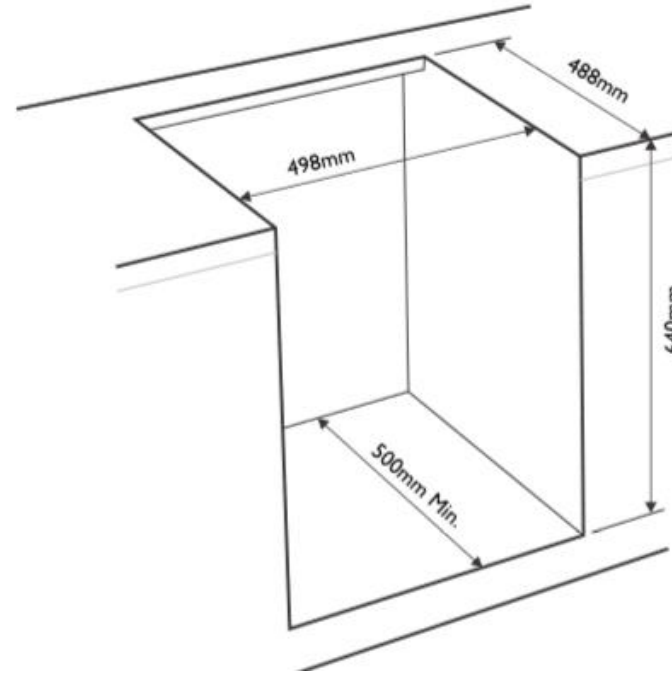
SKU#: 9600006382

Dimensions : D497 x H649 x W514

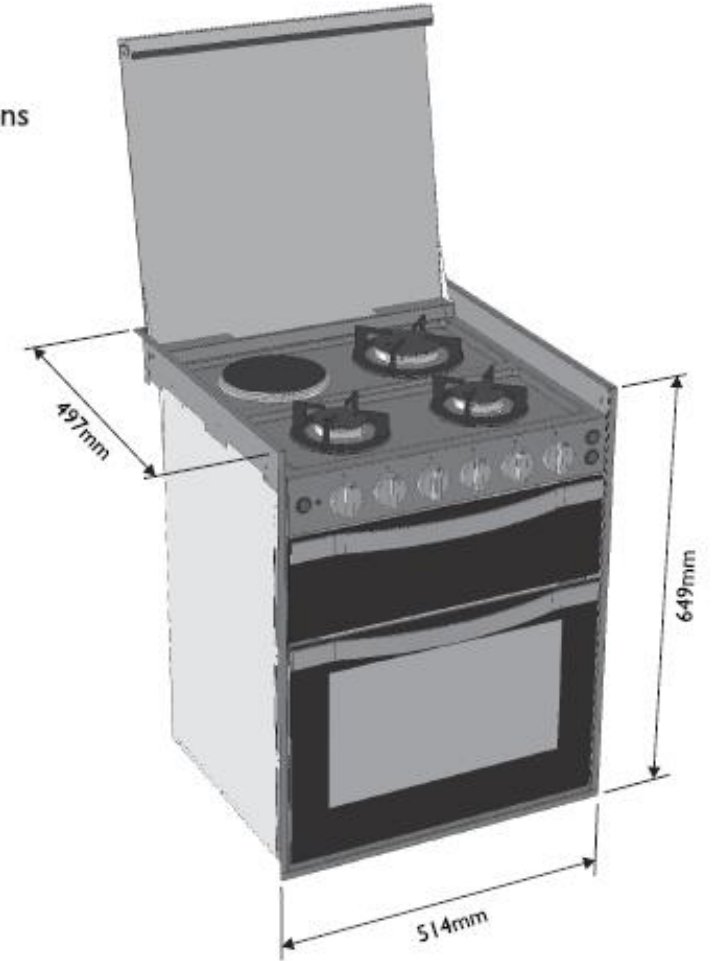
Weight: 35kg

- Australian version with full protection trims

Cutout Dimensions
Model MC101



Product Dimensions
Model MC101



DIMENSION & WEIGHT

MC102

SKU#: 9600006383

Dimensions : D497 x H306 x W514

Weight: 20.5kg

- Australian version with full protection trims

Product Dimensions
Model MCI02

Cutout Dimensions
Model MCI02

