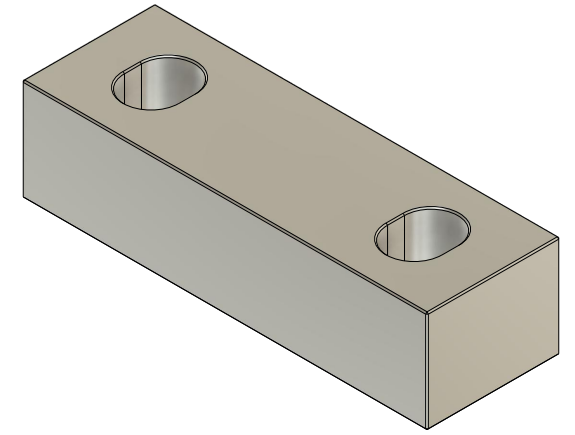
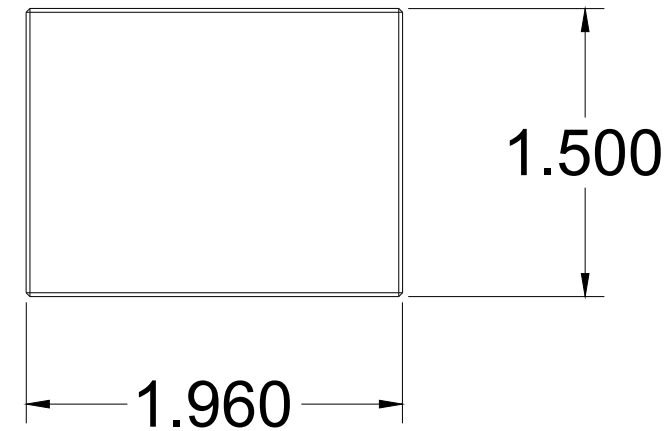
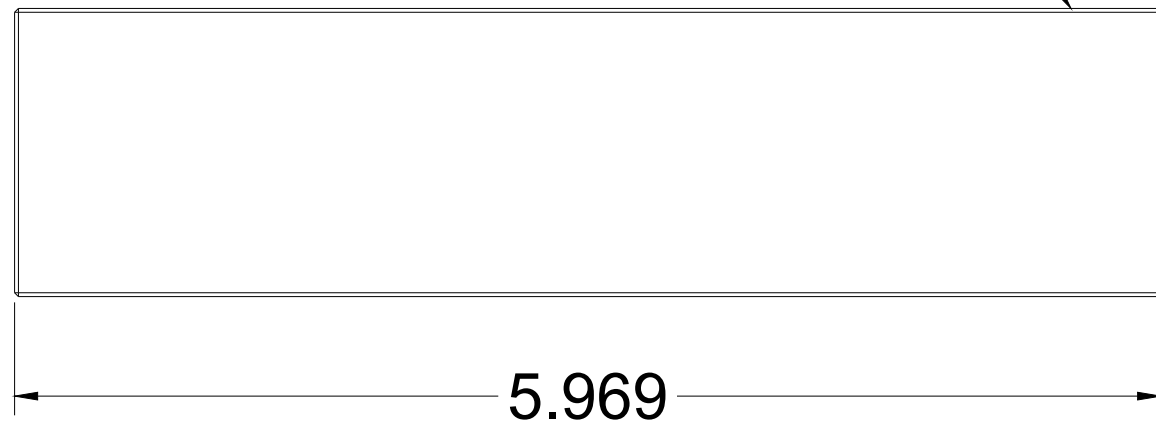


2 x Ø.781x1.031  $\nabla$  1.250  
 Ø.531x.781 THRU SLOTS




.020 x 45° CHAMFER TYP



Tolerances (unless otherwise noted):			
	X.X	X.XX	X.XXX
Linear	±.020	±.010	±.005
Angular	±1.0°	±0.1°	
Dimensions are in inches			
Interpret GD&T Per ANSI Y14.5			
All views are 3rd angle projection			

**PROPRIETARY AND CONFIDENTIAL:** THE INFORMATION CONTAINED IN THIS DRAWING IS THE SOLE PROPERTY OF FLEXCIM SERVICES INC . ANY REPRODUCTION IN PART OR AS A WHOLE WITHOUT THE WRITTEN PERMISSION OF FLEXCIM SERVICES INC. IS PROHIBITED.

		PROJECT 6 in Soft Jaws			
		TITLE SOFT JAW DIMENSIONS			
APPROVED	SIZE	CODE	DWG NO	REV	
CHECKED	B				
DRAWN	JPD	2021-09-20	SCALE NOT TO SCALE	WEIGHT 694 g	
				SHEET 1/1	