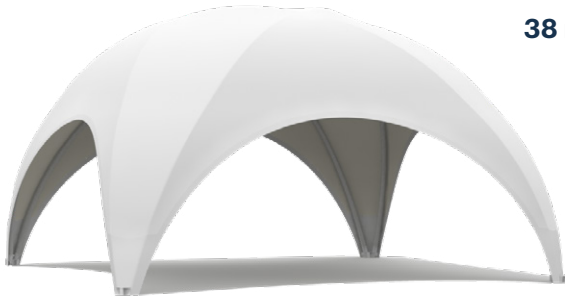


# CROSSOVER M

38 m<sup>2</sup>



## Installation Structure and cover



2



0.45 h

## Dimensions Outside



**Length**  
622 cm



**Width**  
622 cm

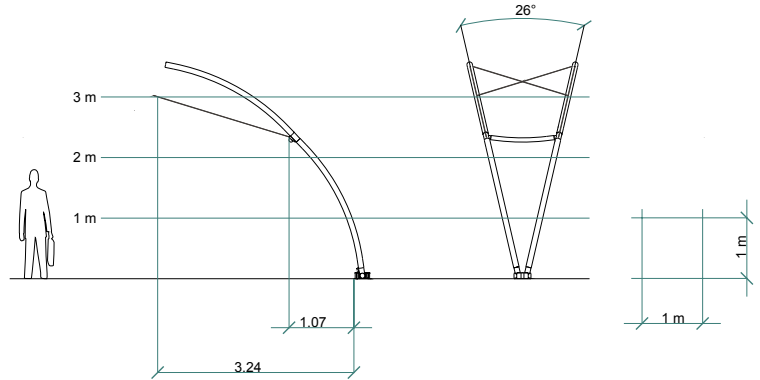
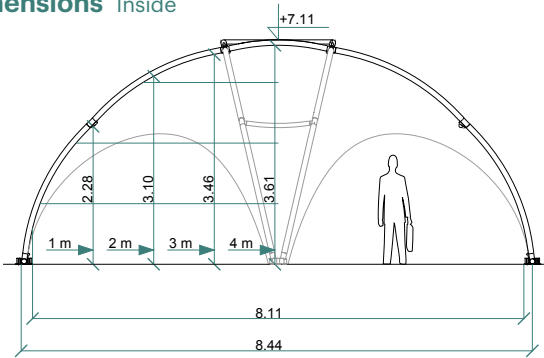


**Height**  
375 cm



**Height opening**  
215 cm

## Dimensions Inside



## Materials Structure

**Tubes** Ø90 mm/Ø70 mm  
6082T6 Alloy  
**Connectors** Galvanized steel  
**Cabels** Stainless steel 316

## Materials Cover

**Fabric** Airtex white®  
**Weight fabric** 350 grams/m<sup>2</sup>  
**Reinforcements** PVC  
**Certification** California T19 M2/B1



-20 °C



+70 °C

**Fabric** Stam 6002®  
**Weight fabric** 630 grams/m<sup>2</sup>  
**Reinforcements** Stam 6002®  
**Certification** California T19 M2/B1



-30 °C



+70 °C

**Fabric** Transparant  
**Weight fabric** 660 grams/m<sup>2</sup>  
**Reinforcements** PVC  
**Certification** California T19 M2/B1



-20 °C



+70 °C

## Gutters

**Gutter M**  
Connect Crossover M (COM)  
with Crossover M (COM)



Connect Crossover M (COM)  
with Hexadome M (HDM)



**Gutter M to L**  
Connect Crossover M (COM)  
with Crossover L (COL)

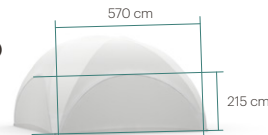


Connect Crossover M (COM)  
with Hexadome L (HDL)

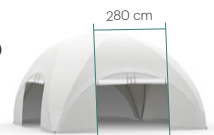


## Sidewalls

**Dimensions (WxH)**  
Sidewall



**Dimensions (WxH)**  
Door opening  
in the sidewall



Sidewall with door



Sidewall with windows



Sidewall with door  
and windows



## Transport packaging Structure



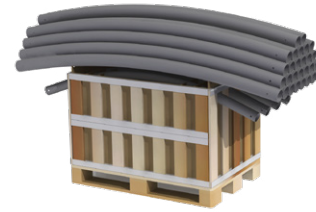
### OPTION 1 | Standard

1 box (vertical)

#### Dimensions (LxWxH)



#### Total weight (excl. cover)



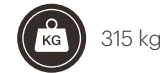
### OPTION 2 | Alternative

1 box (horizontal)

#### Dimensions (LxWxH)



#### Total weight (excl. cover)



## Transport packaging Cover

### Airtex white®

Cover	70x80x40 cm	27 kg
Sidewall	60x40x10 cm	6 kg
Sidewall with window	60x40x10 cm	6 kg
Sidewall with door	60x60x10 cm	6 kg
Sidewall with window and door	60x60x10 cm	7 kg
Gutter M	85x48x4 cm	3 kg
Gutter M to L	68x45x6 cm	4 kg

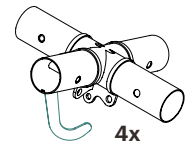
### Stam 6002®

Cover	70x80x40 cm	42 kg
Sidewall	60x40x10 cm	8 kg
Sidewall with window	60x40x10 cm	8 kg
Sidewall with door	60x60x10 cm	8 kg
Sidewall with window and door	60x60x10 cm	9 kg
Gutter M	85x48x4 cm	3 kg
Gutter M to L	68x45x6 cm	7 kg

## Mounting 2 options

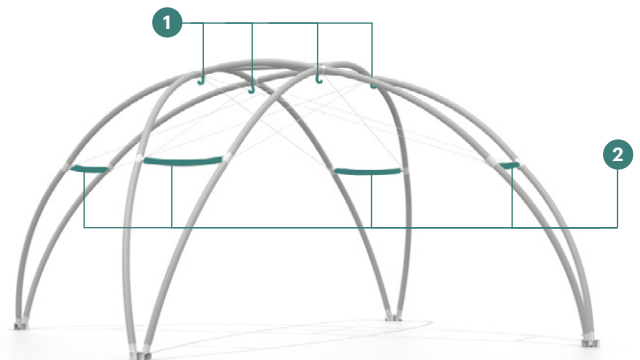
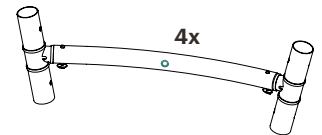
### OPTION 1 | Hooks

Mount up to 100 kg per hook by using the hooks at the Upper X-connector (1).




### OPTION 2 | M10 screw insert


Mount up to 25 kg per insert by using the M10 screws insert at the Lower sub profile (2).



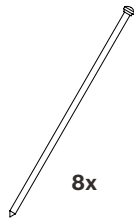
## Anchoring and ballast 4 options

### OPTION 1 | Anchoring Ground pens (set of 8)

 Ø3,5x100 cm

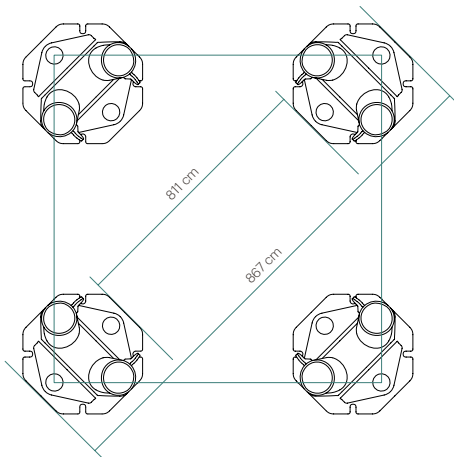
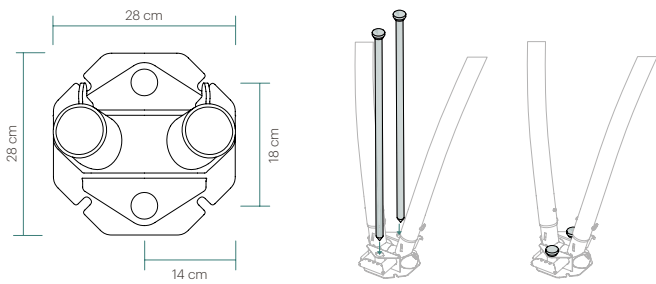
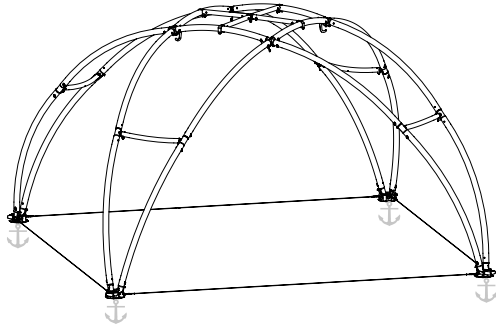
 7,6 kg (per piece)

 Used on soft surfaces  
(e.g. grass, sand and gravel)



8x

### INSTRUCTIONS | Placing anchoring Ground pens



### OPTION 2 | Anchoring M12 concrete screws (set of 16)

 Ø1,2x9 cm

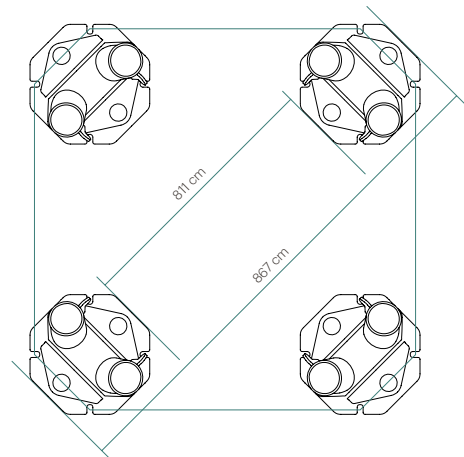
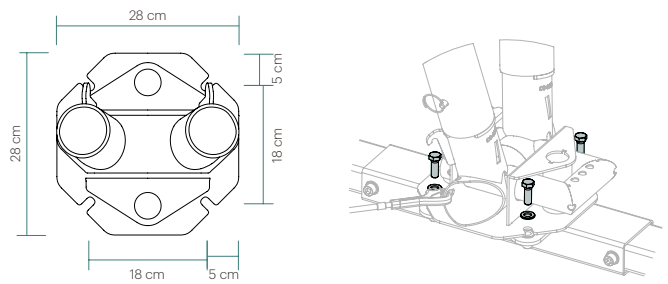
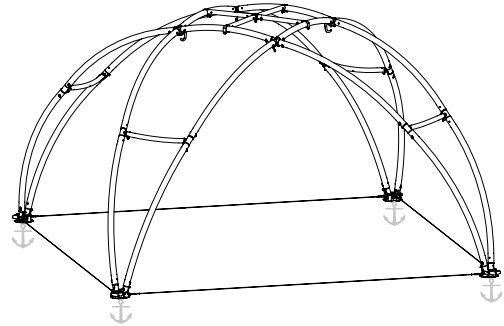
 0,1 kg (per piece)

 Used on hard surfaces  
(e.g. concrete, asphalt and pavement)



16x

### INSTRUCTIONS | Placing anchoring M12 concrete screws




## Anchoring and ballast 4 options

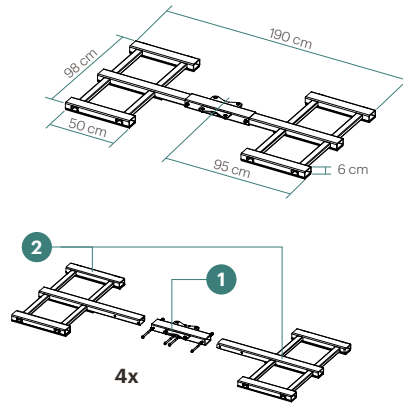
### OPTION 3 | Ballast TÜV

#### Ballast TÜV Straight (set of 6)

**Ballast TÜV Straight is a ballast anchoring for a single Crossover or Hexadome feet.**

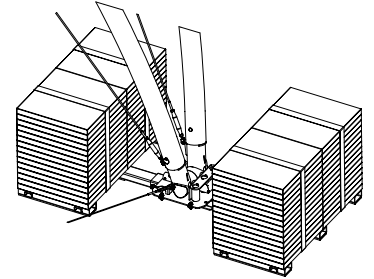
Ballast TÜV Straight can be used if the surface is not suitable for anchoring. The Ballast TÜV Straight contains 1 interface (1) (Crossover M-L and Hexadome M) and 2 ballast frames (2) (suitable for Crossover M-L and Hexadome M-L)

 60 kg (per piece)



#### Ballast TÜV Straight with concrete tiles


You can place 50x50x4 cm concrete tiles on both ballast frames and secure them with straps.

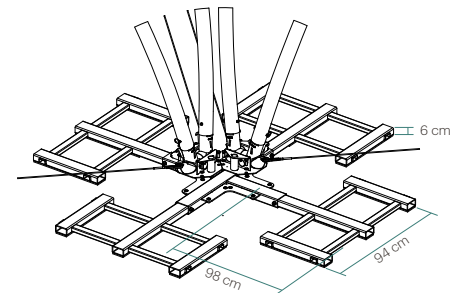
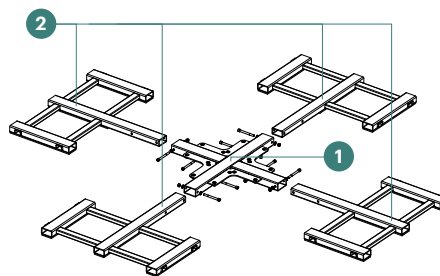


#### Ballast TÜV Multiple

**Ballast TÜV Multiple is a ballast anchoring for multiple feet (Village).**

Ballast TÜV Multiple can be used if the surface is not suitable for anchoring. The Ballast TÜV Multiple contains 1 interface (1) and 4 ballast frames (2).

 60 kg (per piece)



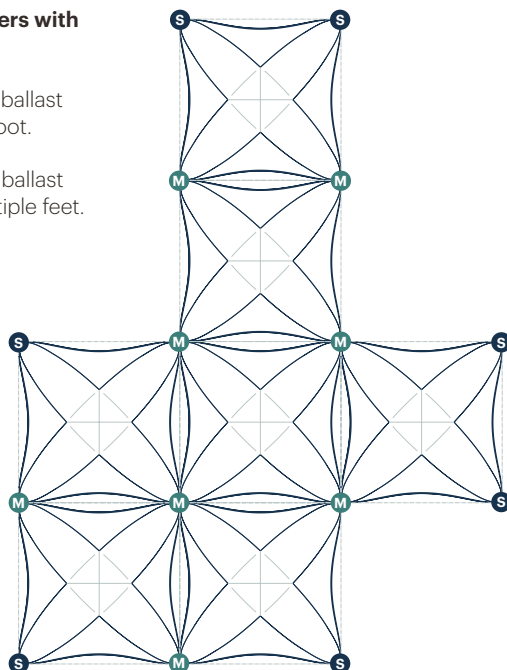
### EXAMPLE | Ballast TÜV

- S** Ballast TÜV Straight
- M** Ballast TÜV Multiple

#### Topview connected Crossovers with Crossovers (Village).

Ballast TÜV Straight is used as ballast anchoring for one Crossover foot.

Ballast TÜV Multiple is used as ballast anchoring for connecting multiple feet.



#### Ballast Per peak wind velocity


The numbers and weight per foot below are based on:

- Peak wind velocity
- Measured on the highest point of the structure
- All side panels closed
- Ballast system used


Wind peak	Balast (per foot)
40 km/h	73 kg
50 km/h	115 kg
60 km/h	165 kg
70 km/h	255 kg
80 km/h	294 kg
90 km/h	- kg
100 km/h	- kg

#### Ballast Requirements per peak wind velocity

Max. peak velocity according to European standards:

 Km/h	m/s	Knots
78,8 km/h	21,9 kg	42,5 knots

Required ballast according to European standards:

 **Balast (per foot)**  
285 kg

## Anchoring and ballast 4 options

### OPTION 4 | Creative Decking

Creative Decking provides ballast with the integrated steel ballast plates. The main part of the weight of the decking will be counted as ballast. Therefore you will need less additional ballast. When building on soft surfaces (e.g. grass, sand and gravel) you can also choose to use our groundpans instead of the ballast plates.

We advise to close the Creative Structure with sidewalls in the event of heavy winds.

#### SET | Ballast Plate Set for Crossover M (4 sets of 3 plates)

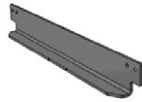
##### Ballast profile



88x11x6 cm (per profile)



8 kg (per profile)



8x

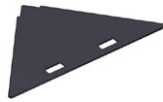
##### Ballast plate Square



118x58x1 cm (per plate)



28 kg (per plate)

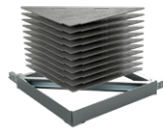


12x

##### Total weight



399 kg



4x

