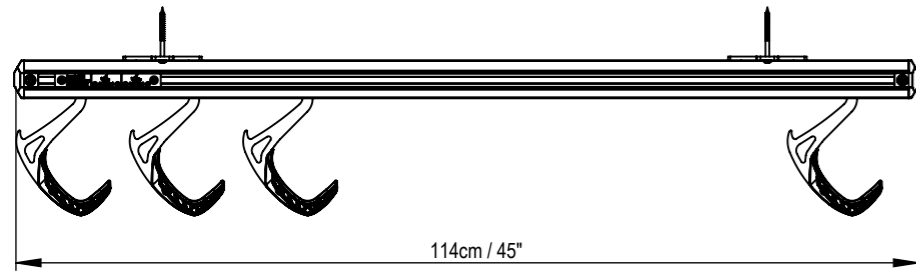
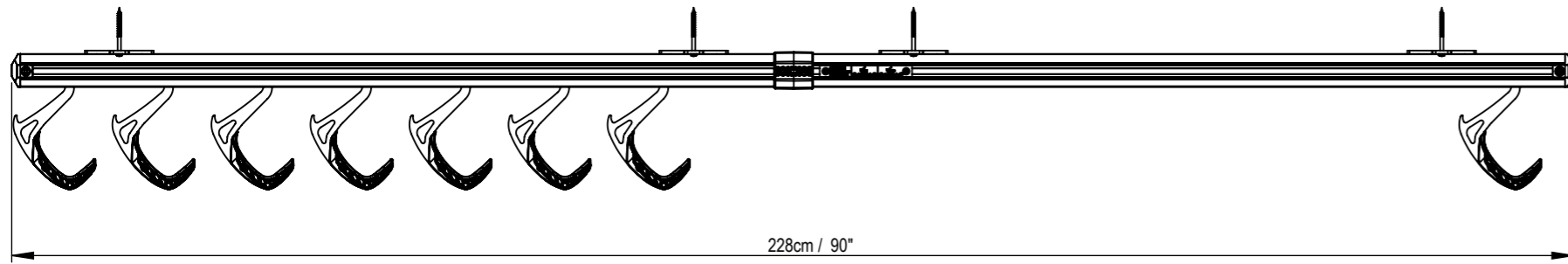


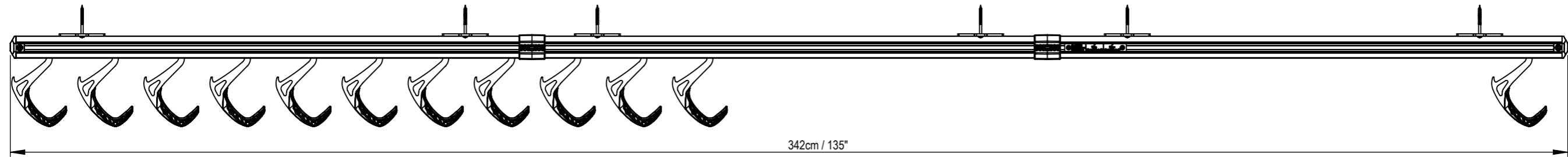
SpaceRail Kit  
2, 3 and 4 Bike System



SpaceRail Kit  
5, 6, 7 and 8 Bike System



SpaceRail Kit  
9, 10, 11 and 12 Bike System



GENERAL TOLERANCES: SURFACE FINISH      LINEAR Mill/Turn/Bore = 1.6 Ra    0.0 = ±0.1 Ream = 0.4 Ra    0.00 = ±0.05 Angular = ±0.5°    0.000 = ±0.005		SCALE: 1:10 UNTOLD DIMS: +/- 0.1MM UNTOLD ANGLES: +/- 1°	MATERIAL FORM: FINISH:	MATERIAL SPEC: HEAT TREATMENT:	LAST REVISION BY: AMOS Desktop LAST REVISION: 26/01/2022 10:22:17	PROPERTY OF: Stashed Products	STASHED PRODUCTS LTD www.Stashedproducts.co.uk	DRAWING NAME/PART NUMBER: SHEET 1 OF 1	REV#: 1	DRAWING DESCRIPTION: SpaceRail System Comparison	DRAWN BY: AMOS DESIGN Ltd. ORIGINAL DATE: 26/01/2022
--	--	--	---------------------------	-----------------------------------	--	----------------------------------	---	---	---------	---	---