

STASHED 



**SPACE
RAIL**

CEILING MOUNT KIT

INSTRUCTIONS & INSTALLATION GUIDE

LIFE STORED BETTER




LIFE

GREAT KIT LETS US
GET MORE OUT OF LIFE


STORED

STASHED STORAGE SAVES SPACE
WITH NO LOSS OF ACCESS


BETTER

SIMPLY BETTER BY DESIGN



➔ STASHED PRODUCTS

Welcome to your life, stored better

At Stashed, we design and build premium space saving storage systems, so you can enjoy your life, stored better.

Our products are tough enough for business, trusted by professional athletes and are saving space for thousands of riders in homes all over the world.

Your product has been thoughtfully designed, tested and manufactured in Wales (UK) by people who are passionate about producing high quality products and care about protecting your kit as much as you do.

All our products are built to last and are covered by our no quibble 2-year guarantee in the unlikely event you'll need to use it!

Thank you for purchasing this product, we hope you enjoy using it as much as we enjoyed making it.

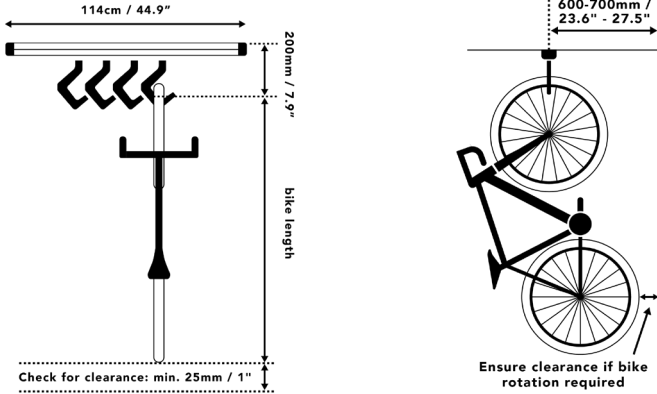
Stashed Products Team



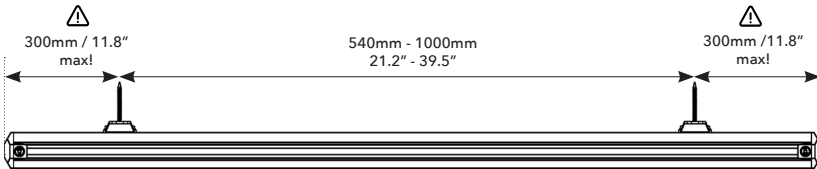


QUICK START

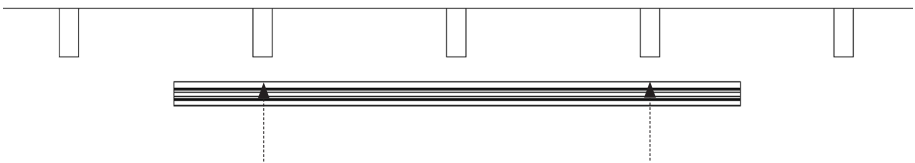
- ① 1. CHOOSE INSTALL POSITION AND MEASURE BIKES TO CHECK HEIGHT AND DISTANCE FROM OBJECTS



- ② 2. ASSES POSITIONS FOR RAIL MOUNT LOCATIONS ON SPACERAIL

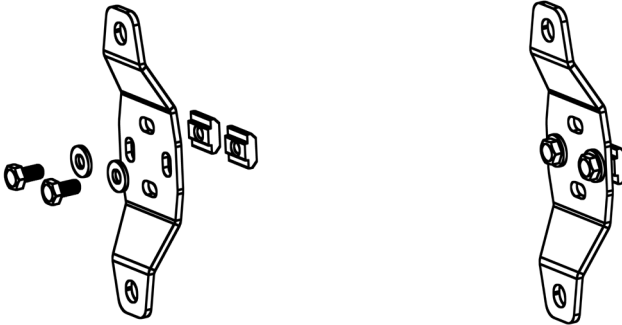


- ③ 3. CHECK SELECTED LOCATION TO ENSURE SUITABLE MOUNTING STRUCTURE FOR ALL RAILS

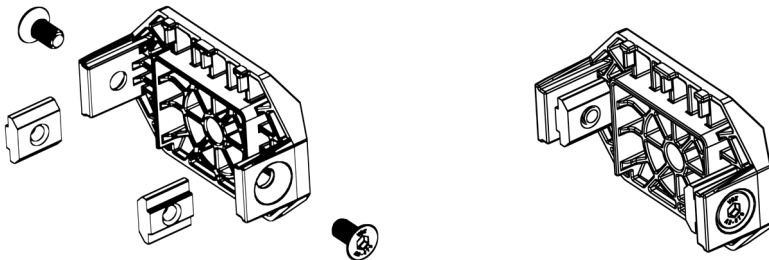




→ 4. ASSEMBLE RAIL MOUNTS. LOOSELY TIGHTEN

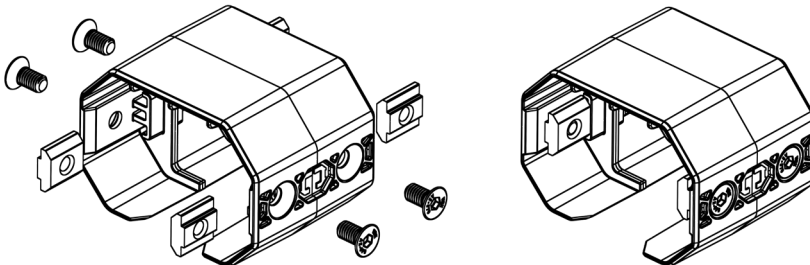


→ 5. ASSEMBLE END CAPS. LOOSELY TIGHTEN



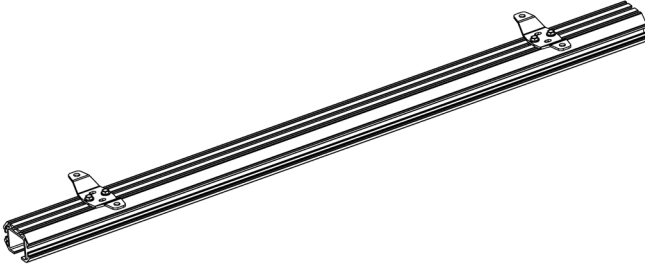
→ 6. ASSEMBLE JOINER. LOOSELY TIGHTEN

If applicable

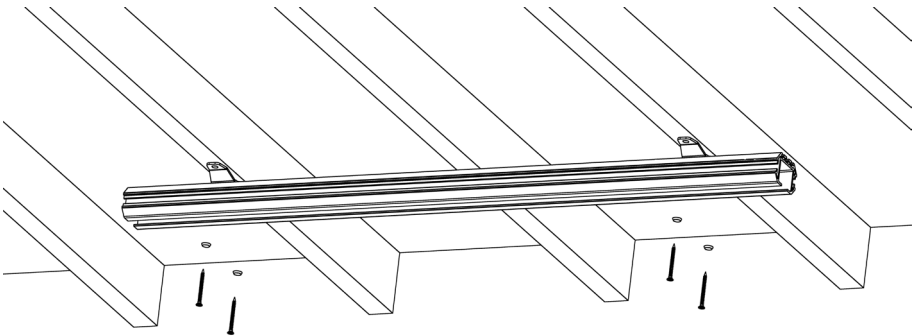




⑦ 7. ATTACH MOUNTS TO THE RAIL, POSITION AND LOOSELY TIGHTEN



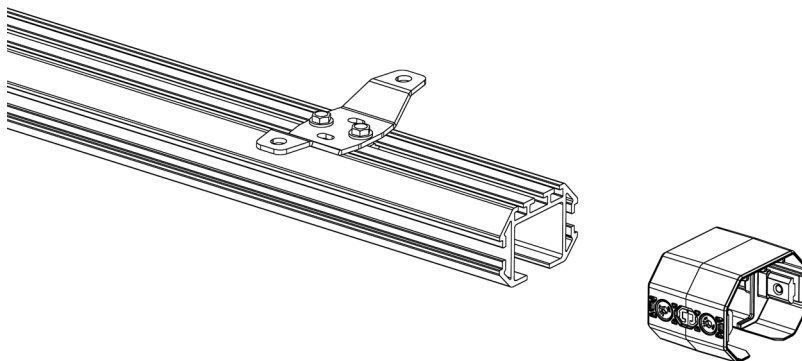
⑧ 8. INSTALL RAIL TO CEILING STRUCTURE. MAKE FINAL ADJUSTMENTS AND FULLY TIGHTEN



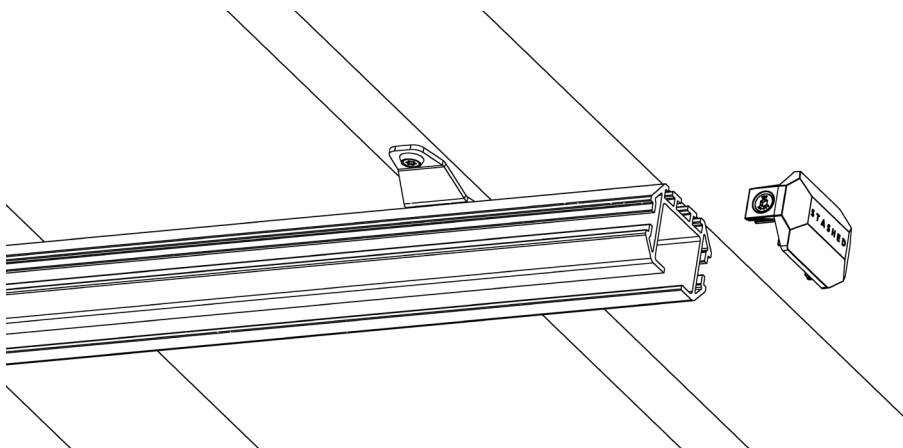


➔ 9. INSTALL JOINER AND HANG ADDITIONAL RAILS FOLLOWING THE SAME PROCESS

If applicable



➔ 10. INSERT TROLLEYS (REFER TO [SPACERAIL HOOK INSTRUCTIONS](#)) AND ATTACH END CAPS





CONTENTS

Stashed Products	1
Quick Start	2
General Notes	7
Technical Specification	8
Warnings	9
Parts Identification	10
Tools Required	12
System Layout	13
→ Fundamentals	13
→ Mounting Height	14
→ Mounting Across Beams	14
→ Mounting Along Beams	15
→ Suggested Mounting Locations	16
→ Mounting Parallel to a Wall	17
Installation	18
→ Check Selected Location	18
→ Assemble Rail Mounts	19
→ Assemble End Caps	20
→ Assemble Joiner	21
→ Slide Rail Mounts to Required Positions	22
→ Hold Rail to Ceiling and Attach	23
→ Install Additional SpaceRail Kit	24
Insert End Caps	25
FAQ	26
Warranty>Returns	26
Maintenance	27



GENERAL NOTES

These instructions are for installing the Ceiling Mounted SpaceRail to a wooden structure such as ceiling joists, beams, rafters or a structure made by you. Please refer to your other products for their own instructions.

⚠ WARNING: THIS KIT IS NOT SUITABLE FOR INSTALLATION SOLELY INTO PLASTER BOARD. IT MUST BE SECURELY ATTACHED TO A ROBUST STRUCTURE SUITABLE TO SUPPORT THE LOAD!

SpaceRail is designed to be easy to fit, but some DIY experience is required to install your system safely and securely. Always seek professional help if you are unsure.

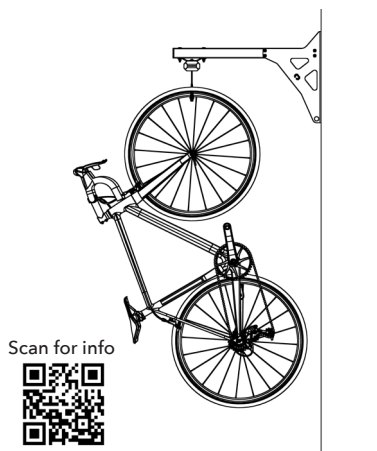
It's important to take time to fit your SpaceRail Kit correctly. A poorly fitted SpaceRail will prevent the trolley from running correctly. This may reduce the performance of your system, and impact on your enjoyment using it!

Each SpaceRail Kit is designed to fit four average sized bikes. Additional rails can be added to increase storage and may be needed if your bikes are large and full rotation is required.

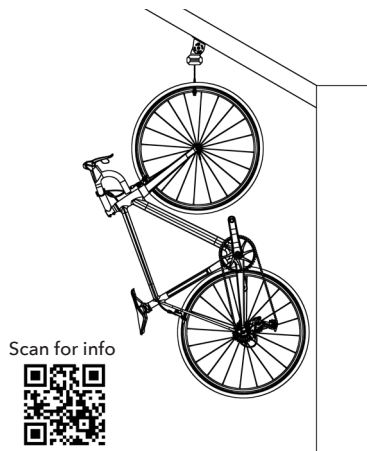
If you are unsure on how to use this product, please reach out and ask our experts or refer to fitting advice on website www.stashedproducts.co.uk. Our install video can be viewed here.

SpaceRail can also be mounted to walls or angled ceilings. Please visit our [website](#) or use the QR codes to find out more about alternative mounting options.

Wall Mounted




Angled Ceiling Mounted





TECHNICAL SPECIFICATION

-  ATTACHES DIRECTLY TO CEILING JOISTS, RAFTERS, BEAMS OR OTHER SUITABLE STRUCTURES CAPABLE OF SUPPORTING THE LOAD. IT IS YOUR RESPONSIBILITY TO ENSURE THE STRUCTURE IS OF SUITABLE LOAD BEARING CAPABILITY.
- The system is infinitely extendable - dependent on how many bikes need to be stored and is only limited by available mounting structure.
- SpaceRail is suitable for internal mounting only.
- Component materials: Nylon, 6063 T6 Aluminium, BZP Steel, Powder Coated Steel
- The suggested bikes per rail and max loads and approximate total rail length including end caps, is shown in the table below. There may be a minor variation in total rail length when joiners are used to connect rails.

NUMBER OF BIKES	NUMBER OF RAILS	TOTAL LENGTH (OUTSIDE OF END CAPS)	MAX LOAD/INDIVIDUAL RAIL (KG / LBS)	MAX TOTAL LOAD PER SYSTEM (KG / LBS)
1-4	1	114cm / 45"	100kg / 220lbs	100kg / 220lbs
5-8	2	228cm / 90"	100kg / 220lbs	200kg / 440lbs
9-12	3	342cm / 135"	100kg / 220lbs	300kg / 660lbs
13-16	4	456mm / 180"	100kg / 220lbs	400kg / 880lbs
17-20	5	570cm / 224"	100kg / 220lbs	500kg / 1100lbs
21-24	6	684cm / 269"	100kg / 220lbs	600kg / 1320lbs

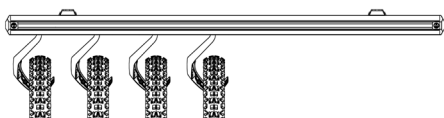
25+ THERE IS NO LIMIT TO THE NUMBER OF BIKES SPACERAIL CAN STORE. ADD MORE RAILS AS REQUIRED

When storing four or eight bikes additional SpaceRail Kit may be required to allow enough space for bike movement and access.

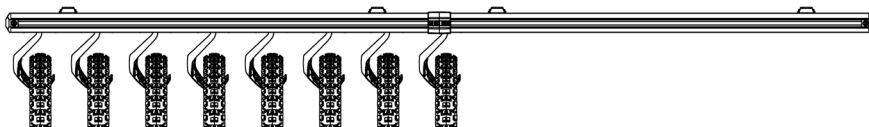
For example, we suggest that four road bikes would be acceptable on a single SpaceRail Kit, but four mountain bikes with wide handle bars might compromise access and may require an extension kit.



SpaceRail



SpaceRail Kit with additional SpaceRail Kit Added



WARNINGS

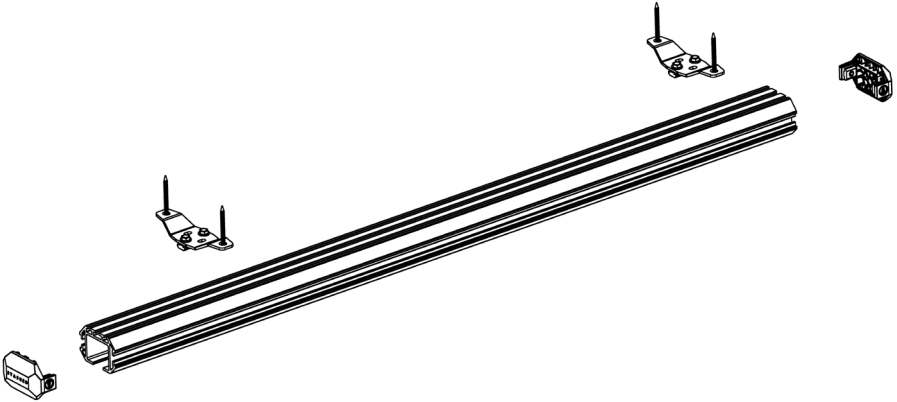
⚠ STASHED PRODUCTS DOES NOT TAKE RESPONSIBILITY FOR THE STRUCTURE THAT THE PRODUCT IS INSTALLED TO. IN USING THIS PRODUCT, THE CUSTOMER AGREES TO TAKE ALL NECESSARY MEASURES TO ENSURE THE STRUCTURE IS SUITABLE.

- Although every effort has been taken to remove sharp edges, the end of the rail can still be sharp, so take care when handling or installing this product.
- Objects can fall from the SpaceRail system if not correctly hung.
- Do not suspend a secondary rail from the first rail without ceiling support, even momentarily during installation.
- Ensure End Caps are secured correctly. If they are not there is a chance of Bike Hooks falling from the SpaceRail.
- Do not bump the End Caps with the Bike Hook during bike movement. It is not intended to absorb heavy impacts.
- SpaceRail is not suitable for shock loads. Gently place objects on to the Bike Hook.
- Not to be used by children or as a toy!
- When installing this product always wear the appropriate safety equipment when using power tools.
- Check bike is safe for use and all hanging adapters have been removed every time it is taken off the SpaceRail.
- **⚠ NEVER USE FOR HUMAN SUSPENSION!**
- **⚠ WARNING: CANCER AND REPRODUCTIVE HARM.**
SEE WWW.P65WARNINGS.CA.GOV



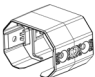

PARTS IDENTIFICATION

➔ SPACERAIL CEILING MOUNT KIT:





SpaceRail Ceiling Kit

PART	IMAGE	QTY
Rail		1
Rail Mount		2
End Cap		2
Rail Joiner		1
T Nut		8
M6 x 12mm Countersunk Bolt		4
Wood Screw		4
Cup Washer		4
M6 Washer		4
M6 x 12mm Hex Bolt		4



TOOLS REQUIRED

As a cyclist, we anticipate you will already have the majority of the tools you need to install this product.

- 4mm Hex Key
- No2 Pozi Screwdriver
- 10mm Spanner
- Spirit Level
- Pencil
- Tape Measure
- T25 Torx Bit
- Impact Driver
- A helper*
- Stud Finder*


* Not essential, but makes the installation easier and safer.

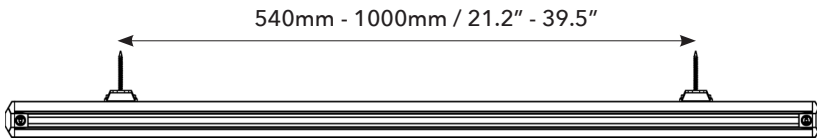


SYSTEM LAYOUT

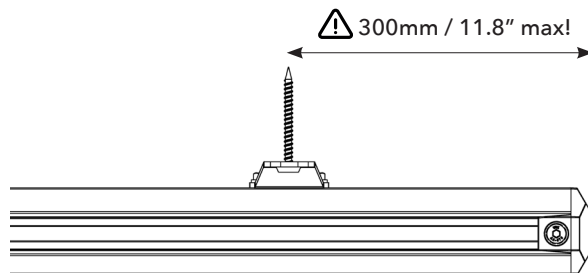
➔ FUNDAMENTALS

Your SpaceRail Kit is adaptable to many different situations, but a few fundamental mounting rules should be followed:

-  **BE AWARE OF WATER AND GAS PIPES AND ELECTRICITY CABLES. ALWAYS CHECK WITH A PROFESSIONAL IF YOU'RE UNSURE.**
- Each Rail must be suspended from at least two Rail Mounts, each with two Screws and two Cone Washers. Additional Rail Mounts can be used to add extra support.
- Locate mounting points that are structurally suitable so that the kit can be installed to a flat parallel surface. Check with a spirit level. If you have an angled ceiling or want to wall mount, then please see our website for other mounting solutions.
- The supplied Screws require at least 50mm / 2" of thread engagement to a solid timber structure to achieve full strength. If you have a non-timber mounting structure then you will need to provide your own fixings.
- Rail Mounts are adjustable and should be located 540mm - 1000mm / 21.2" - 39.5" apart to fit your mounting structure. Most buildings have beams or joists at a 400mm / 15.7" 500mm / 18.7" or 600mm / 23.6" spacing. If your ceiling is boarded then we suggest using a Stud Finder tool as it's essential you locate the supporting structure correctly, failure to do this could result in the SpaceRail being unable to support the loads.



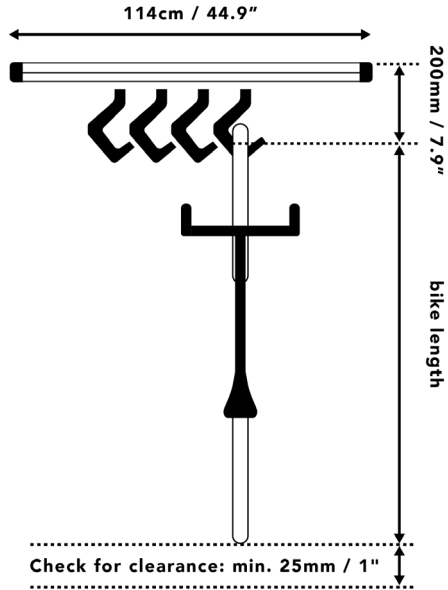
- The maximum cantilever length from the centre of the Ceiling Plate to the end of the Rail is 300mm / 11.8".





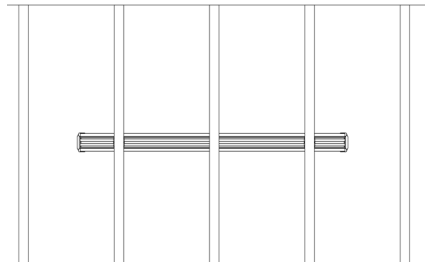
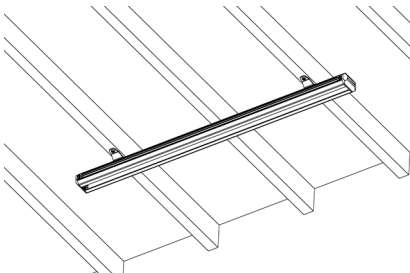
➔ MOUNTING HEIGHT

- Ensure you have enough height to hang your bikes with the wheels off the floor. The Rail and Trolley requires 200mm / 7.9" of height allowance from the ceiling to the inside of the bike's wheel rim where the bike wheel touches.



➔ MOUNTING ACROSS BEAMS

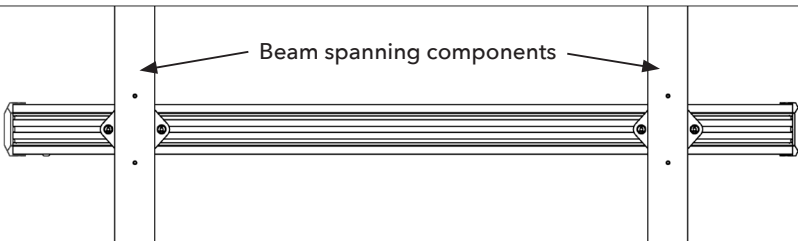
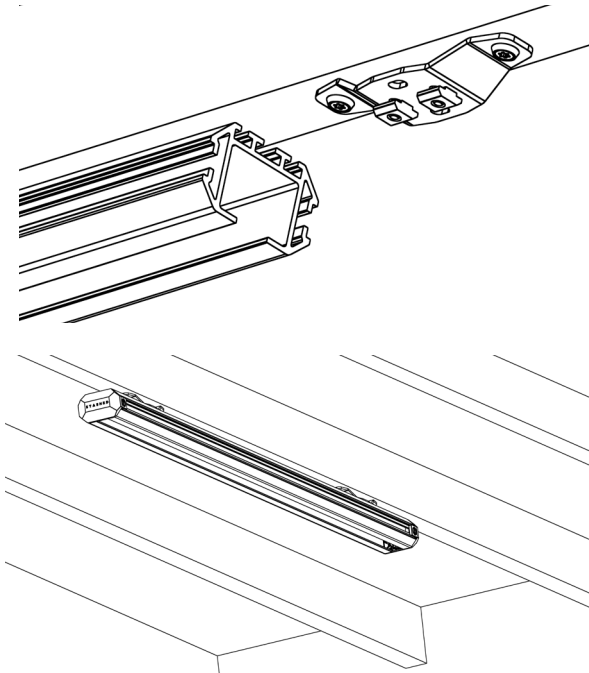
- In an ideal scenario each Rail should be mounted across at least two independent load bearing beams to spread the weight of the system.





➔ MOUNTING ALONG BEAMS

- If mounting parallel with structural beams or joists, Rail Mounts can be rotated 90° to run in line with the beam and SpaceRail. In this case the Rail Mounts will need to be attached to the beam first and then the rail slid in to position afterwards.
- If loads need to be supported across more than one beam or joist then it is suggested a supplementary beam spanning component is required. An extra piece of timber could be sufficient for this.

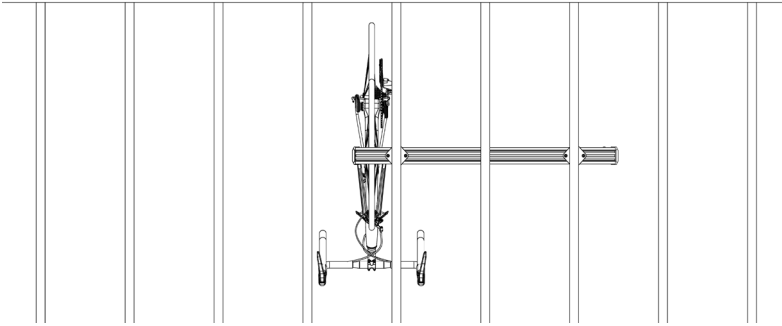




➔ SUGGESTED MOUNTING LOCATIONS

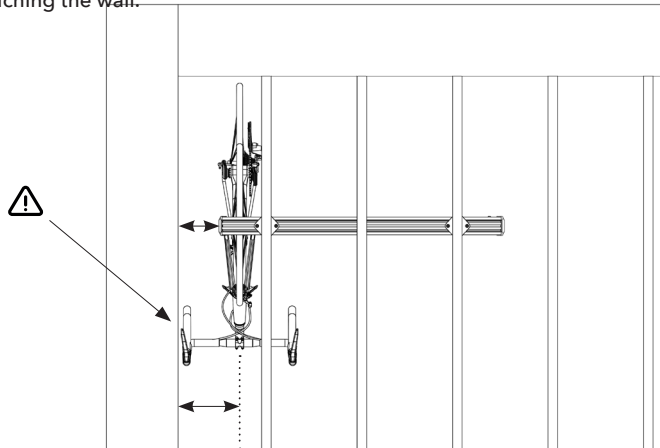
OPEN ENDED AND FREE SPACE

- The SpaceRail Kit can be mounted parallel with a wall with both ends of the system accessible, or can be in complete free space in the centre of a room.



CORNER

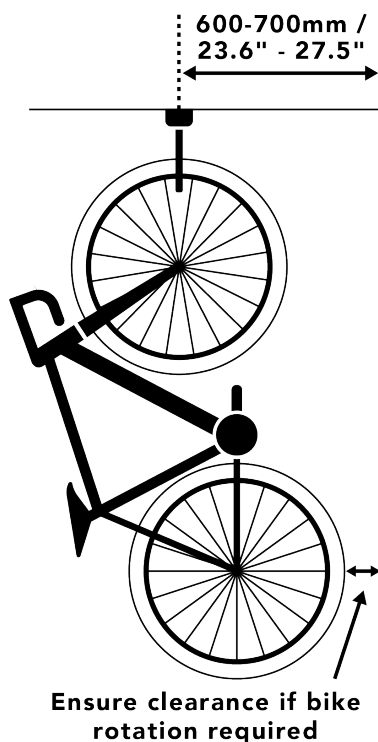
- To mount in a corner you need to ensure that the handlebar of the end bike does not touch the end wall.
- Measure the bike from the centre of the stem to the end of the handlebars. Use this dimension to ensure your SpaceRail is far enough away from the end wall to utilise the full length of the rail. We recommend that the handlebar of the end bike should be near to, but not touching the wall.





⊕ MOUNTING PARALLEL TO A WALL

- The distance to mount your SpaceRail Kit away from any parallel wall is dependent on the size of your bikes and if rotation is required once hung.
- Look for the largest bike you are planning on storing and measure the length and depth to ensure it can spin freely once hung. On bikes with wide handlebars this dimension might also need to be taken in to account.
- For optimum rail performance the bikes should not rest against the wall once hung up, although this is possible providing hooks are not excessively angled in the rail and contacting the internal rail edge.
- As a general rule, the Rail is normally mounted between 600 - 700mm / 23.6 - 27.5" from any walls or other objects to ensure bikes can spin and slide freely.



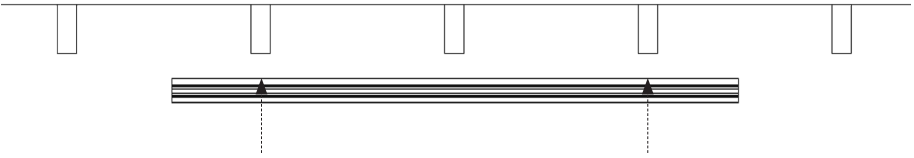


INSTALLATION

➔ CHECK SELECTED LOCATION TO ENSURE SUITABLE MOUNTING STRUCTURE FOR ALL RAILS

⚠ THE RAIL KIT MUST BE SCREWED TO A ROBUST STRUCTURE AND NOT SOLELY IN TO PLASTERBOARD!

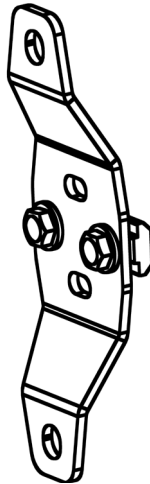
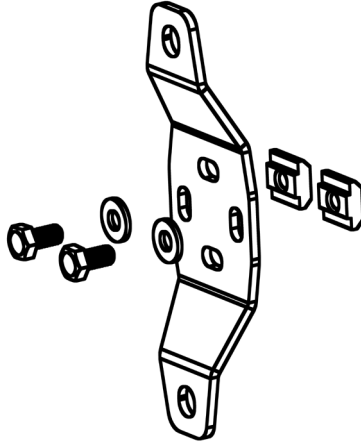
- Ensure the points where the Rail Mounts are mounted are flat, of solid structure and parallel. If not then the Rail could be mounted at an angle, misaligned or twisted and will not function correctly. Use a spirit level to check.
- Measure distance between mounting points and check suitable for mounting. Note dimension for loosely mounting Rail Mounts to Rail at later step.
- If you are installing more than one Rail then ensure suitable mounting points are available for all Rail Mounts on subsequent Rails.





④ ASSEMBLE RAIL MOUNTS

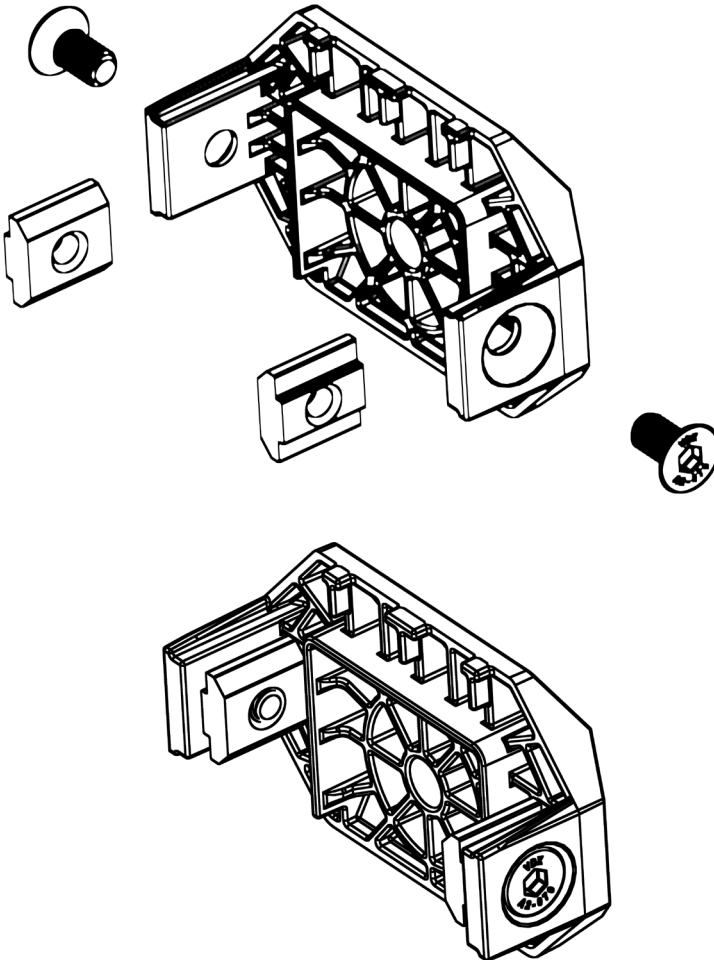
- Place the M6 x 12mm Hex Bolts through the M6 Washers and then through the holes in the Rail Mounts and loosely screw to the T-Nuts. Do not tighten fully.





➔ ASSEMBLE END CAPS

→ Place the M6 x 12mm Countersunk Bolts through the countersunk holes in the sides of the End Cap and loosely screw to T-Nuts. Do not tighten fully.

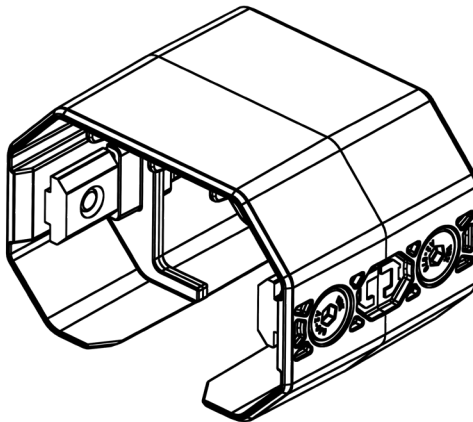
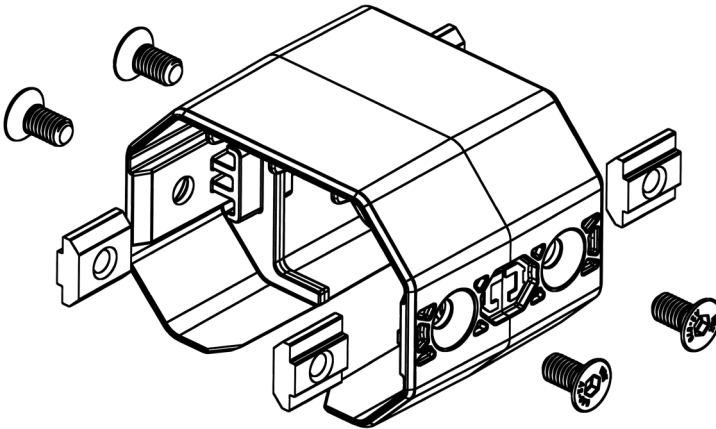




➔ ASSEMBLE JOINER

If applicable

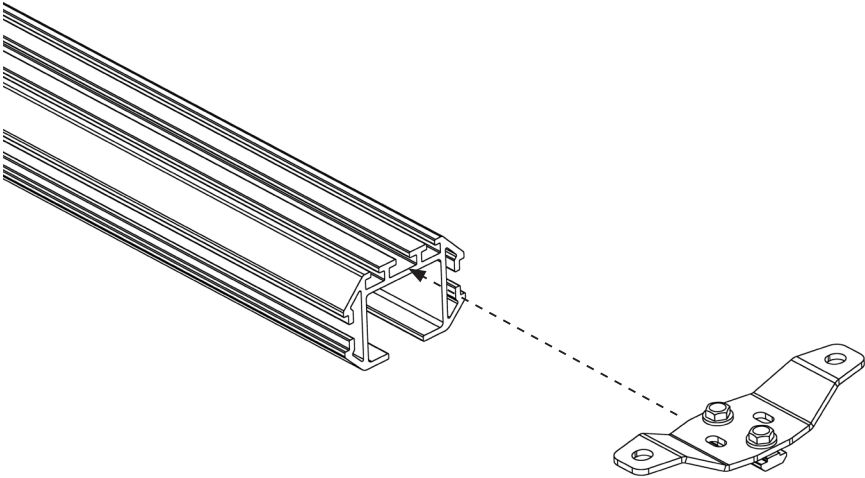
- Place the M6 x 12mm Countersunki Bolts through the countersunk holes in the sides of the Joiner and loosely screw to T-nuts. Do not tighten fully.



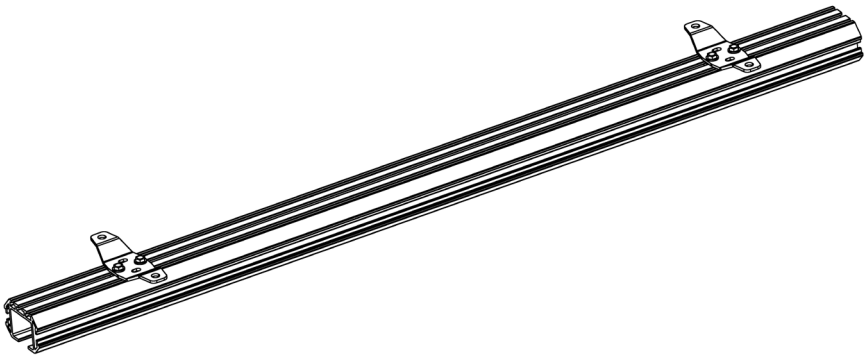


② SLIDE RAIL MOUNTS TO REQUIRED POSITIONS

- Slide the Rail Mounts into the Rail by aligning and inserting the T-nut into the central section of the top of the Rail.



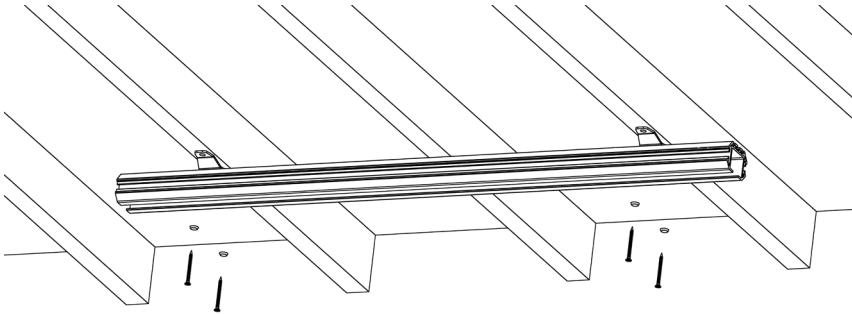
- Slide Rail Mounts to positions noted earlier and loosely tighten with 10mm Spanner.





➔ INSTALL RAIL TO CEILING STRUCTURE

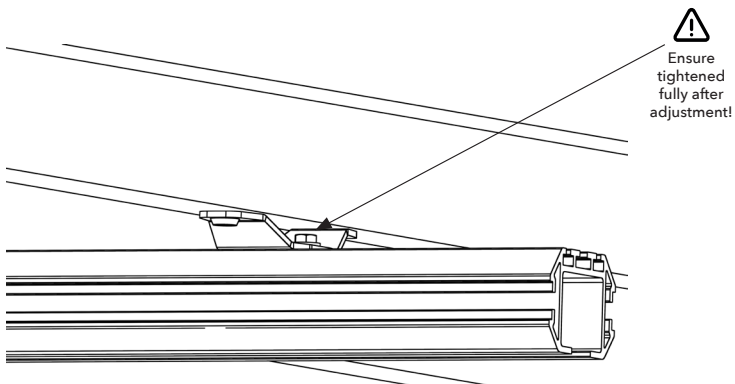
- Hold Rail in the correct position on the ceiling so Rail Mounts align with your mounting locations.
- If fixing to timber - screw Rail Mounts to Ceiling using 4 x Wood Screws and 4 x Cup Washers. If fixing to structures other than timber, use appropriate fixings (not supplied)



Note: Ensure Rail is level, parallel with any surrounding objects and not bent, twisted or distorted from the installation process. Check using a spirit level. You may need to add shims or packing pieces under the Rail Mounts to get correct alignment.

➔ MAKE FINAL ADJUSTMENTS AND FULLY TIGHTEN

- Loosen M6 Hex Bolts and adjust rail position if required. Once in position fully tighten all M6 Hex Bolts equally.

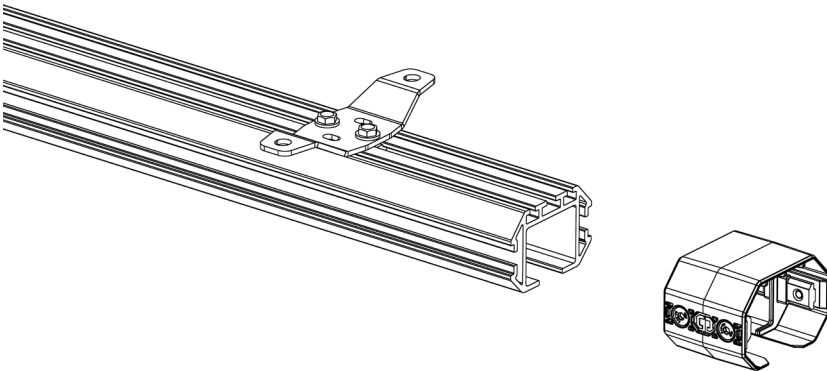




➔ INSTALL ADDITIONAL SPACERAIL KIT

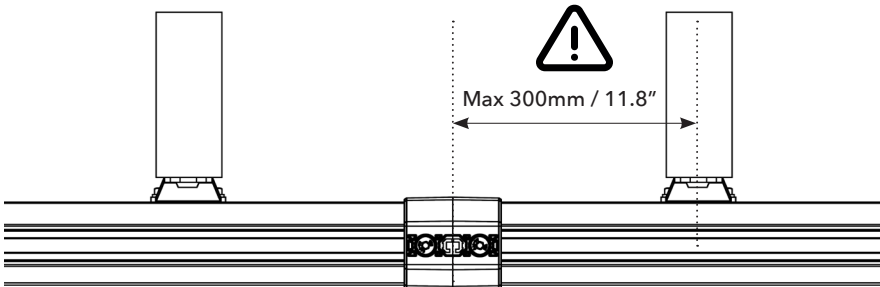
If applicable

- Before fitting the second Rail to the mounting structure, attach the Rail Joiner to the Rail and loosely tighten the M6 x 12mm Bolts to hold it in place.



- Assess fitment location for second Rail. Fit Rail Mounts to second Rail
- Fit the second Rail to the first Rail - keep well supported. Check mounting locations and then repeat installation process.
- Do not rely on the Joiner component alone to support the second Rail!
- Ensure both Rails are parallel and aligned concentrically. Screw the second Rail to the ceiling and equally tighten bolts in Joiner.

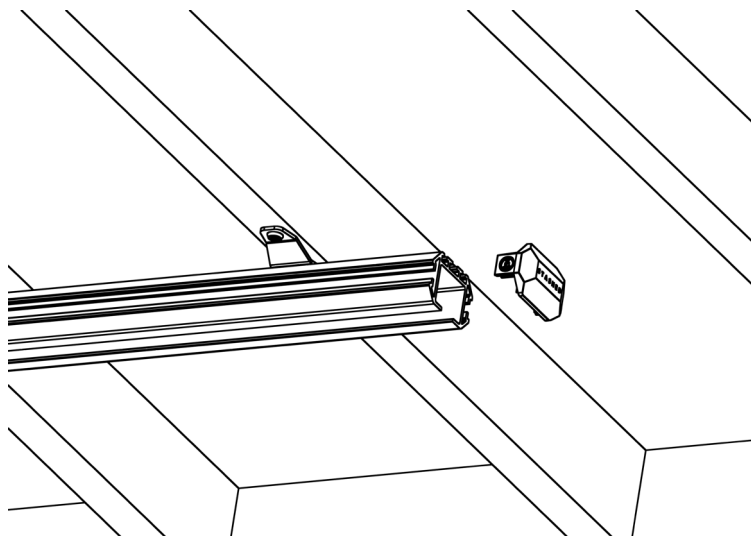
⚠ WARNING: DO NOT MOUNT WITH CENTRE OF JOIN MORE THAN 300MM / 11.8" FROM THE CENTRE OF A RAIL MOUNT.





➔ INSERT END CAPS

- Align T-nuts to Rail and slide End Cap into Rail and tighten Bolts equally with a 4mm Hex Key. Check all components have been securely tightened.



- Insert Trolleys in to Rail (see [separate instructions](#)) and ensure they run freely and smoothly along the whole length of the Rail. Then repeat the process for fitting the second end cap.



FAQ

My Bike Hook keeps rolling on its own

- Check the level of your Rail. Adjust with shims or packing components if necessary.

Can I shorten the Rail?

- Yes! You can cut the Rail to any length you require, but be sure to de-burr the ends well with a small file. We recommend using a power chop saw with blade suitable for aluminium. Do not attempt this with a hack saw.

My Trolley gets stuck in the joint

- Rails are not positioned or aligned correctly. Remove all bikes, adjust Rails and refit.

I cannot spin my bikes or access them easily

- Change bike order to improve access.
- Rail length is not long enough so add additional SpaceRail Extension Kit.

How many Rails can I join?

- The number of Rails that can be joined together is unlimited and is only constrained by the support structure. Consult a structural engineer to determine the maximum load the structure can support.

Can I recycle Stashed Products packaging at home?

- Yes! Absolutely! All of our cardboard packaging is biodegradable in normal home composting or can be recycled in household recycling collections.

WARRANTY/RETURNS

All hardware are covered by a 2-year no quibble warranty.
Please see our website for full details.

If any issues arise outside of the warranty period, then we have designed our products to be easily serviceable to ensure they have a long life in service. All parts are available separately from our [website](#).

If you have problems with your product or questions, please contact us for support.



MAINTENANCE

Your Rail Kit is generally very low maintenance and should give years of use. Some basic maintenance tips:

- Ensure the Rail is kept clean and free from debris, this is especially important on the faces where the Bike Hook wheels run.
- Clean your Rail with a soft cloth or use compressed air to remove debris from hard to reach areas.
- Regular greasing of the bullet on the hook will help to maintain it's life. Take care not to get grease on the top cap.

PERIODIC CHECKS

- Structural integrity of the mounting area.
- Tightness of all bolts and screws.
- Wear to any components such as wheels or impact areas.
- Ensuring free movement of trolleys when loaded.
- Ensuring spring mechanisms function correctly when unloaded.



NOTES



NOTES

STASHED

MADE IN WALES by STASHED PRODUCTS

Unit 6 Abermule Business Park,
Abermule, Powys, SY15 6FB, UK

www.stashedproducts.co.uk
sales@stashedproducts.co.uk

Tel +44 (0) 3301 334 836
WhatsApp +44 (0) 7575 032 418

Got a great install? Share it at

@STASHEDPRODUCTS

#LIFESTOREDBETTER

