

STASHED 



**SPACE
RAIL**

**BIKE
HOOK**

INSTRUCTIONS & INSTALLATION GUIDE

LIFE STORED BETTER




LIFE

GREAT KIT LETS US
GET MORE OUT OF LIFE


STORED

STASHED STORAGE SAVES SPACE
WITH NO LOSS OF ACCESS


BETTER

SIMPLY BETTER BY DESIGN



→ STASHED

Welcome to your life, stored better

At Stashed, we design and build premium space saving storage systems, so you can enjoy your life, stored better.

Our products are tough enough for business, trusted by professional athletes and are saving space for thousands of riders in homes all over the world.

Your product has been thoughtfully designed, tested and manufactured in Wales (UK) by people who are passionate about quality and care about protecting your kit as much as you do.

All our products are built to last and are covered by our no quibble 2-year guarantee in the unlikely event you'll need to use it!

Thank you for purchasing this product, we hope you enjoy using it as much as we enjoyed making it.

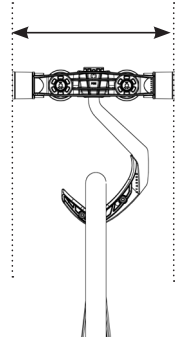
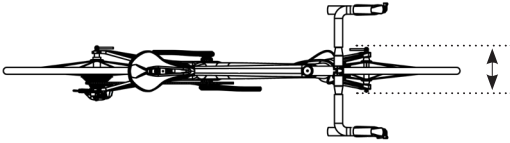
Stashed Products Team





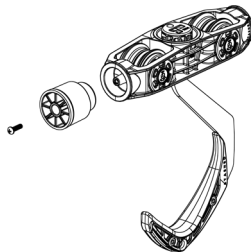
QUICK START

① 1. MEASURE BIKE WIDTH AT FRONT AXLE



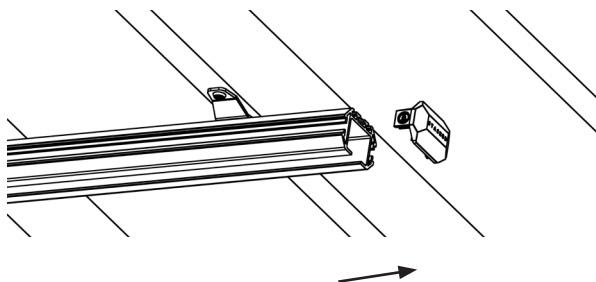
② 2. ADD SPACERS IF REQUIRED

| BIKE WIDTH | CENTRAL HOOK | FIRST/LAST HOOK |
|-----------------|-----------------|--|
| <150mm <5.9" | No Spacer | No Spacer |
| >150mm >5.9" | 2 x Spacers | 1 x Spacer (side to other bike) |

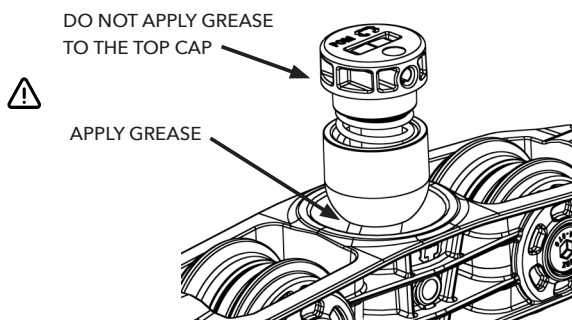




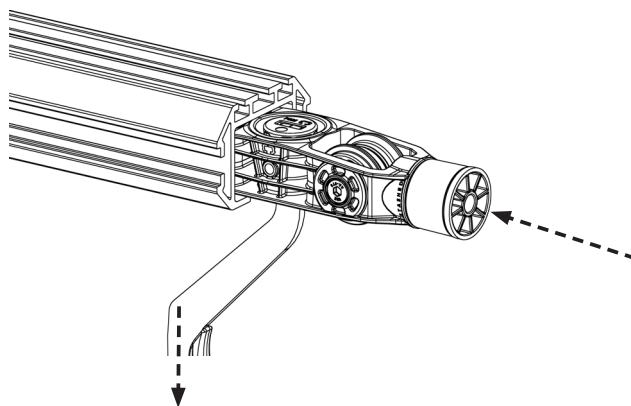
➔ 3. REMOVE END CAP FROM SPACERAIL



➔ 4. CAREFULLY APPLY GREASE TO LOWER AREA OF THE BULLET

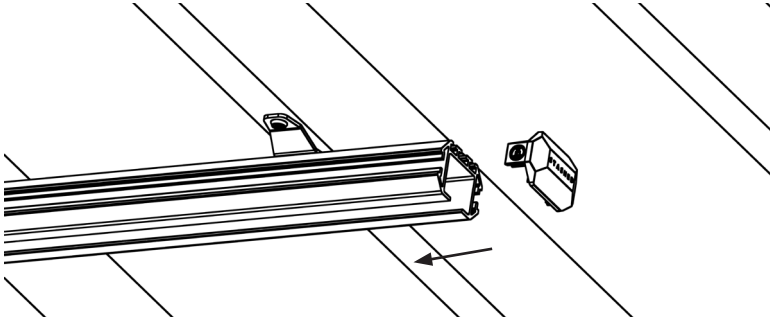


➔ 5. INSERT TROLLEY INTO RAIL BY PULLING THE HOOK DOWN GENTLY TO DE-ACTIVATE AUTO-LOCK TECH

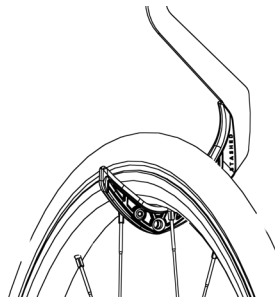




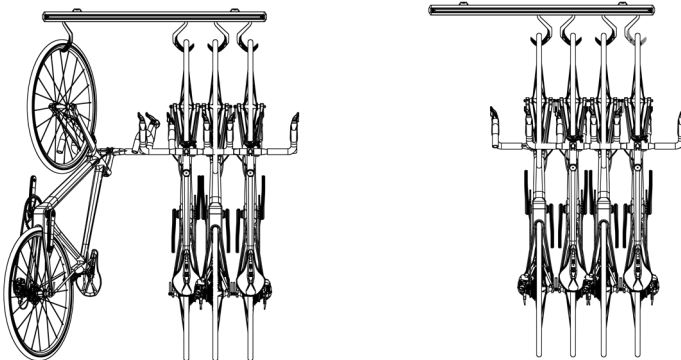
⑥ 6. ATTACH END CAPS. CHECK ALL COMPONENTS HAVE BEEN SECURELY TIGHTENED



⑦ 7. HANG BIKES - EACH HOOK CAN HOLD 30KG / 65LBS



⑧ 8. ROTATE AND SLIDE BIKES. OVERLAP BIKES TO REDUCE STORAGE SPACE, BE AWARE OF PEDALS AND HANDLEBARS





CONTENTS

| | |
|-----------------------------|-----|
| Stashed Products | 1 |
| Quick Start | 2-4 |
| General Notes | 6 |
| Tools required | 6 |
| Technical Specification | 7 |
| Warnings | 8 |
| Parts Identification | 9 |
| Key Features | 10 |
| Innovative Bike Placement | 10 |
| → Auto-Lock Tech | 11 |
| → Trolley Spacers | 11 |
| Adjust Trolley Width | 12 |
| → Measure Bike Width | 12 |
| Install Spacers if required | 13 |
| → Central bikes | 13 |
| → First/last bikes | 13 |
| Spacer Table | 14 |
| Fit Trolley to Rail | 15 |
| Storing Your Bike | 16 |
| → Auto-Lock Tech - Unlock | 16 |
| → Auto-Lock Tech - Lock | 17 |
| → Moving with a bike | 17 |
| → Moving without a bike | 18 |
| → Best hanging method | 18 |
| FAQ | 20 |
| Warranty>Returns | 20 |
| Maintenance | 21 |



GENERAL NOTES

- These instructions are for the SpaceRail Bike Hook only. Please refer to your other products for their own instructions.
- Your Bike Hook can be fitted in just a few minutes, however please take time to fit it correctly and understand its function, best use methods and limitations.
- Ensure the SpaceRail is fitted according to the SpaceRail instructions. If this is done incorrectly, it will prevent the hook from functioning properly and will reduce the performance of the system. This could potentially lead to the system not holding the loads stated.
- If you are unsure how to use this product, please ask our experts or look for fitting examples and instruction videos on our [website](#).

We are always here to help. www.stashedproducts.co.uk

TOOLS REQUIRED

We anticipate you will already have the majority of the tools you need to install this product.

Tools Required for Spacers:

- No.2 Pozi Screwdriver

Tools required for SpaceRail access:

- 4mm Hex Key

SPACERAIL SYSTEM INSTRUCTIONS

These instructions are for the SpaceRail Bike Hook only - please refer to the correct instruction guides for your system.

- [WALL MOUNTED SPACERAIL](#)
- [CEILING MOUNTED SPACERAIL](#)
- [ANGLED CEILING MOUNTED SPACERAIL](#)



TECHNICAL SPECIFICATION





- Min Load Rating to unlock mechanism = 5kg / 11lbs.
- Max Load Rating = 30kg / 65lbs
- Adjustable width spacing from 150mm / 5.9" to 200mm / 7.9"
- Can also be used to hang spare components such as wheels and frames or other sports equipment such as backpacks and child carriers.
- Two bikes can be hung in series if vertical space allows, but observe the maximum loadings of the Bike Hook and SpaceRail.
- Suitable for internal use only.
- Materials: Stainless Steel, BZP Mild Steel, Acetal, Nylon.

⊕ SUITABLE FOR ALL BIKES:

- Tyre size up to 3".
- Any bike frame size.
- Fat Tyre Adapter (FTA) is designed for tyres 4"-5" wide and can be purchased from our [website](#).
- Rim with tyre combined depth up to 95mm.
- Holds any tyre type including road, gravel, hybrid, mountain bike, children's and E-bikes
- All brake types.
- All rim materials.
- With or without mudguards.
- Hung from the front or rear wheels.

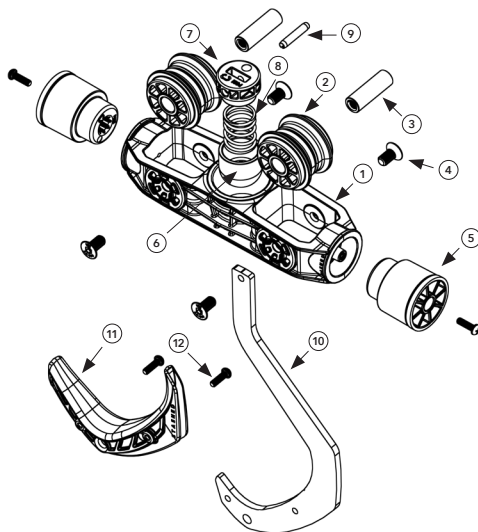


WARNINGS

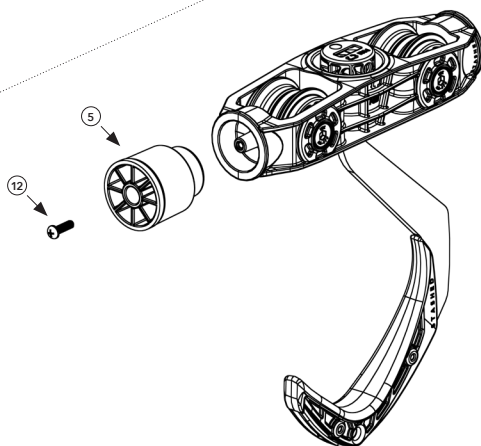
- Objects can fall from the Bike Hook if not hung correctly.
- Be careful when moving your bikes! The Bike Hook is friction tuned to reduce the chances of accidental movement; but be aware that bikes may still move unintentionally.
- If you are concerned with contact between bikes when stored then we recommend our Pedal Wraps products. Please see our website.
- Observe the minimum and maximum load ratings for the Bike Hook and the SpaceRail system.
- Do not hang your bike with the tyre valve next to the hook as this could damage the valve.
- Bikes are heavy awkward objects. Before attempting to use this product ensure you are physically able to lift and control the bike during loading and un-loading.
- Never move the Bike Hook without loading and unlocking Auto-Lock Tech, as this will cause damage.
- The Bike Hook is not suitable for shock loading. Gently place objects on to the Bike Hook, do not drop them on.
- Check bike is safe for use and all hanging adapters have been removed every time it is taken off the SpaceRail.
- Not to be used by children or as a toy.
-  NEVER USE FOR HUMAN SUSPENSION!
-  ALTHOUGH THE BIKE HOOKS ARE SELFSPACING, CARE IS STILL NEEDED WHEN MOVING AND OVERLAPPING BIKES.
-  APPLY GREASE CAREFULLY TO THE BULLET OF THE HOOK BEFORE FIRST USE. DO NOT GET GREASE ON THE TOP CAP.
-  WARNING: CANCER AND REPRODUCTIVE HARM. SEE WWW.P65WARNINGS.CA.GOV



PARTS IDENTIFICATION



1. Trolley Body
2. Wheel
3. Axle
4. Axle Bolt
5. Spacer
6. Bullet
7. Top Cap
8. Spring
9. Roll Pin
10. Hook
11. Hook Cover
12. 3.5mm x 12mm Screw

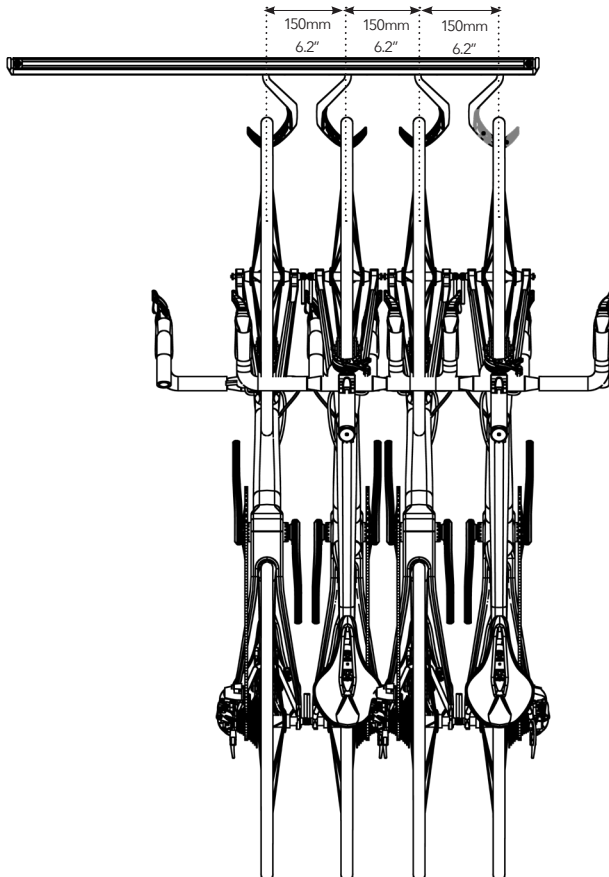




KEY FEATURES

➔ INNOVATIVE BIKE PLACEMENT

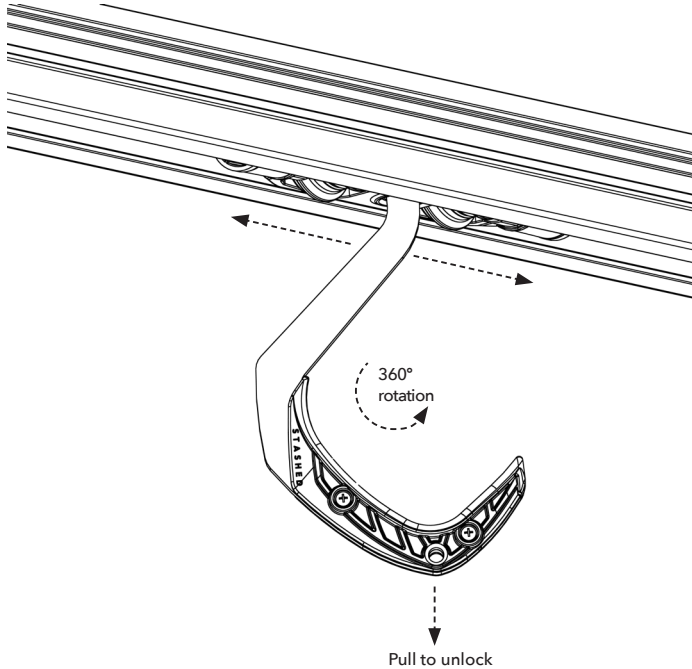
- SpaceRail Bike Storage System has sliding and rotating hooks, that allow alternate bikes to be spun 180° and stored closer together, saving space, compared to similar systems.
- Most bike storage systems suspend bikes at 300-500mm / 15.3"-19.6" centrelines. With the SpaceRail system, centrelines down to 150mm / 6.2" are possible to reduce storage volume.
- The bikes can be moved apart to allow access to take them out of storage and brought back together to save space and for improved security options.





➔ AUTO-LOCK TECH

- Auto-Lock Tech is designed for easy loading and unloading of bikes, by preventing the hook from moving along the rail when un-weighted. When loaded with 5kg / 11lbs or more the Hook will slide and rotate freely 360°.



➔ HOOK ARTICULATION

- To ensure Rail or Trolley damage does not occur during loading, the hook is able to move away from impact forces due to the ball joint feature.

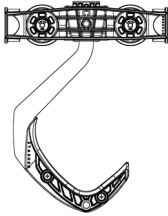
➔ TROLLEY SPACERS

- To reduce the chance of contact and damage between your bikes, the width of the trolley can be adjusted to ensure a suitable spacing.

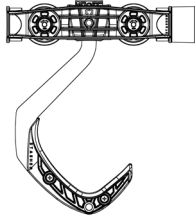


ADJUST TROLLEY WIDTH

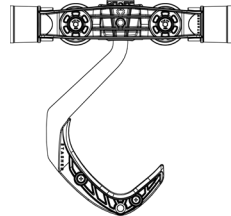
→ Your Trolley can be configured in width to suit each bike and reduce the chances of damage from compact storage.



150MM / 5.9"
SYMMETRIC



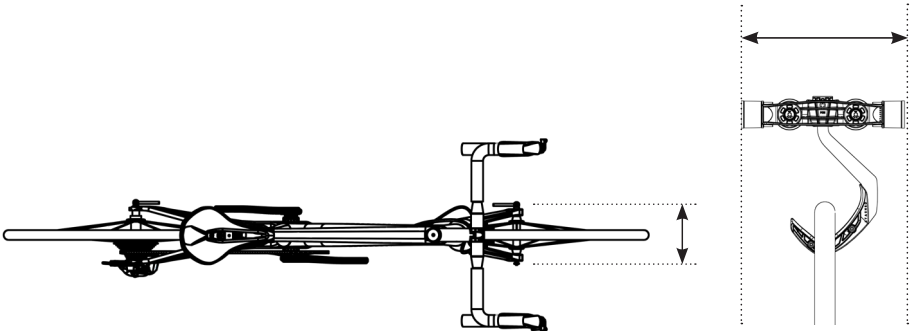
175MM / 6.9"
ASYMMETRIC



200MM / 7.9"
SYMMETRIC

⊕ MEASURE BIKE WIDTH

→ Measure the widest point of your bike at the front wheel axle, as this will determine if the Trolley requires Spacers to keep it apart from other bikes during storage.



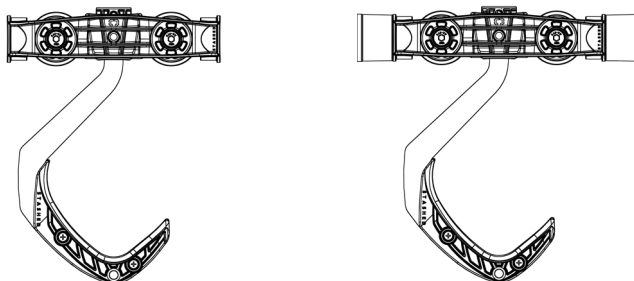


INSTALL SPACERS IF REQUIRED

⤴ CENTRAL BIKES

If the Trolley is to be used in a central position i.e. with a Trolley either side, then it is recommended:

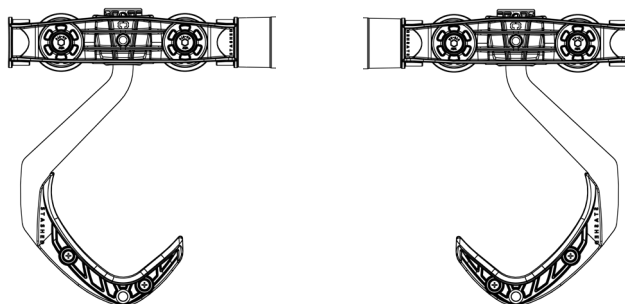
- No spacers are used if bike width is less than 150mm / 5.9".
- Spacers be used on both ends if bike width is above 150mm / 5.9".



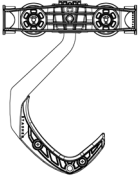
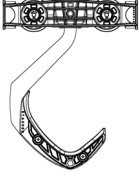
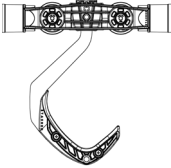
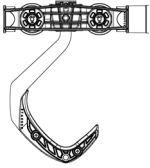
⤴ FIRST/LAST BIKES

If the Trolley is to be used in the first or last positions i.e. with a Trolley on one side only, then:

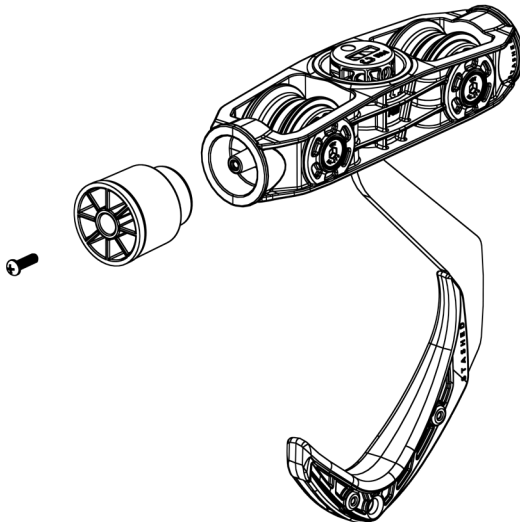
- No spacer is required on the side against the **End Cap** as this will maximise the usable length of the Rail.
- One **Spacer** should be installed on the side facing another Trolley if bike width is above 150mm / 5.9".





| BIKE WIDTH | CENTRAL HOOK | FIRST/LAST HOOK |
|-------------------|--|---|
| < 150mm < 5.9" |  No Spacer |  No Spacer |
| < 150mm < 5.9" |  2 x Spacers |  1 x Spacer (next to the other bike) |

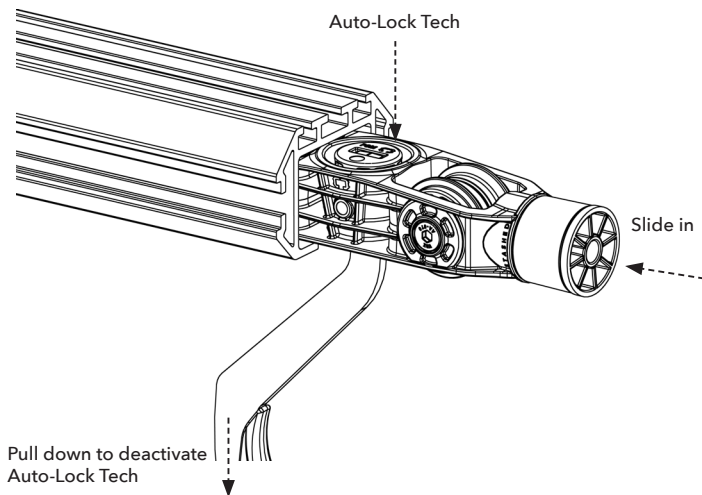
→ Attach Spacers using the 3.5mm x 12mm Screw with a No.2 Pozi screwdriver.



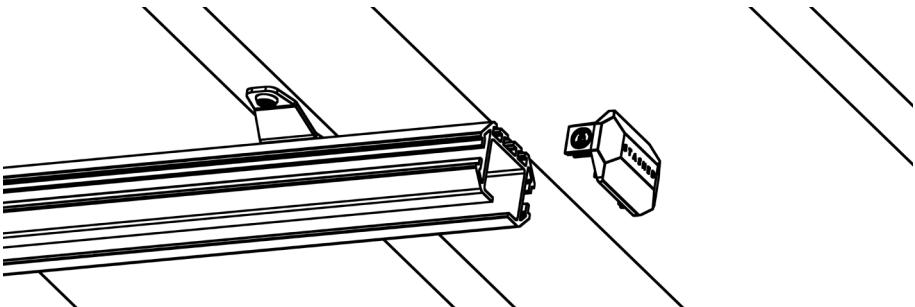


FIT TROLLEY TO RAIL

- Remove Rail End Caps from Rail using a 4mm Hex Key.
- Insert Trolley into the Rail by aligning and inserting the first wheel into the opening in the Rail. Pull down on the Hook mechanism whilst supporting the Trolley and push the remainder of the Trolley in whilst continuing to hold the Hook down.
- If the Trolley will not go in then the mechanism is not pulled down fully and the Top Cap is blocking entry.



- Pull hook down and ensure the Trolley runs freely and smoothly the whole length of the Rail.
- Refit the Rail Ends Cap. Slide End cap into rail end and tighten bolts equally.



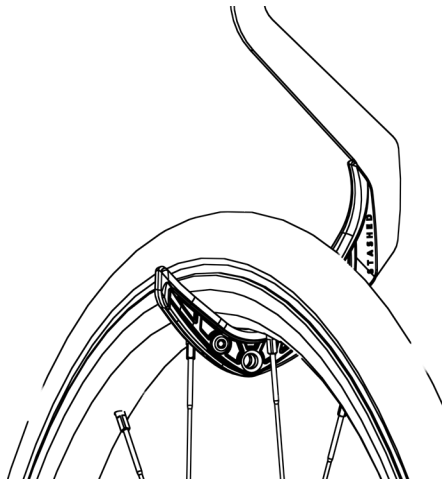


STORING YOUR BIKE

Auto-Lock Tech ensures the hook is stable when bikes are being loaded on to it. When the Hook is unloaded it is sprung against the inside of the Rail to stop unwanted rotation and sliding. Without this mechanism the Trolley would move when touched with the bike wheel and would be considerably harder to use.

⚠ Warning: Do not hang your bike with the tyre valve near the hook as this could cause damage to the valve.

- Before hanging your bike, ensure the Hook is orientated in a direction that makes it easiest to hang by pulling down on the Hook and rotating it to the desired position. Ensure the area around the Hook is clear so nothing obstructs hanging.
- Make sure the wheel is secured properly in the bottom of the Hook once loaded.



➔ AUTO-LOCK TECH - UNLOCK

- To release Auto-Lock Tech simply load your Bike on to the Hook and it will become free to slide and rotate. The minimum bike weight is 5kg / 11lbs, bikes below this weight will not deactivate Auto-Lock Tech.

⚠ WARNING: DO NOT MOVE THE BIKE HOOK ALONG THE RAIL WITH LESS THAN 5KG / 11LBS LOAD APPLIED!

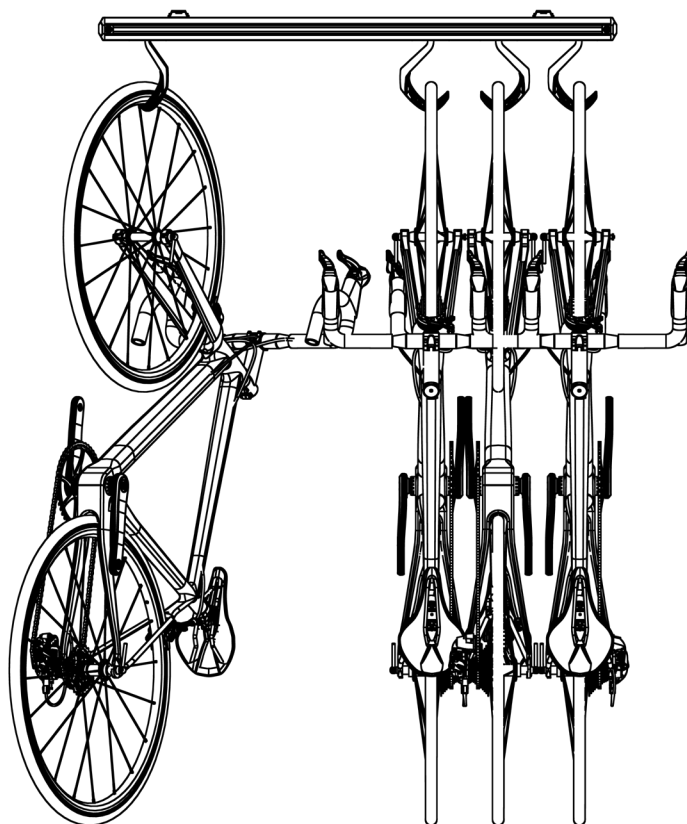


➔ AUTO-LOCK TECH - LOCK

- The Hook will automatically lock when the bike is removed, preventing it from sliding and rotating. When locked it will still maintain some degree of articulation to stop damage through fumbled loading.

➔ MOVING WITH A BIKE

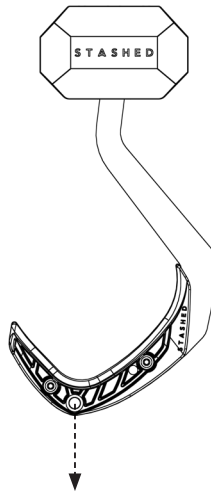
- Move your bike by sliding it gently sideways. You can rotate and angle your bike once hung to allow it to overlap to the bikes around it.





→ MOVING WITHOUT A BIKE

- To move the Trolley without a bike on it you must pull down on the Hook to release Auto-Lock Tech. If this is not done, you may damage the mechanism.
- If the Hook is out of reach then a cord (not included) can be added to the lower hole in the hook, to enable remote unlocking.



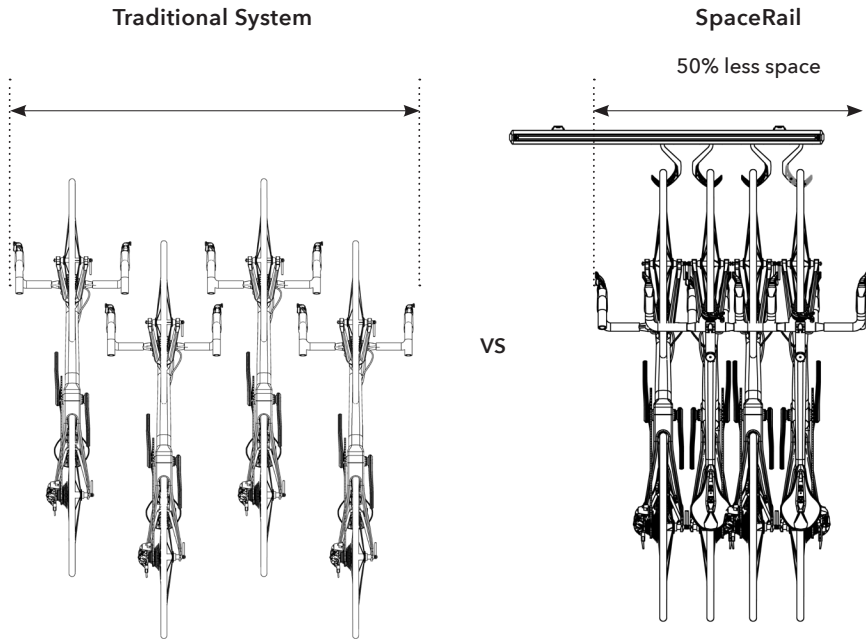
→ BEST HANGING METHOD

For the most effective use of space we suggest hanging from the front wheel, but try different variations to see what works for you and your bikes.

- To achieve the best space utilisation, your bikes should be interlocked by rotating and sliding them together.
- Storage volume can be reduced by around 50% by bringing the centre lines of the bikes to 150mm to 200mm. This is a significant saving over traditional hanging methods whilst maintaining access and security.
- Small bikes can be hung one above the other by using a double hook, but the maximum hook load of 30kg / 65lbs still applies.
- Once your bikes are compacted it is far easier to secure them together.

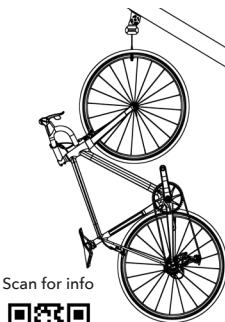


➔ SPACE SAVING STORAGE



➔ MOUNTING OPTIONS FOR EVERY SCENARIO

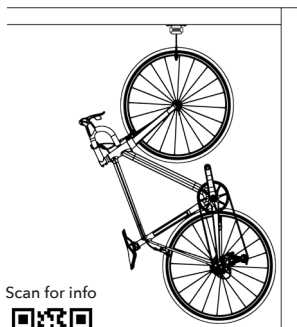
Angled Ceiling Mounted



Scan for info



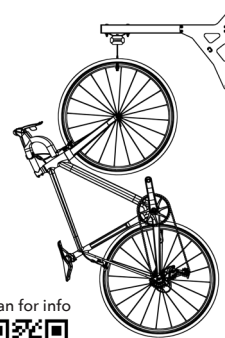
Ceiling Mounted



Scan for info



Wall Mounted



Scan for info





FAQ

My Bike Hook keeps rolling on its own

- Check your Rail is level. Adjust with shims or packing components if necessary.

My trolley will not move when hung

- Your bike is not heavy enough to unlock the mechanism. Ensure you have applied enough load to the Trolley to disengage the Auto-Lock Tech and check it is clear of debris.

My bikes hit each other when I slide them next to each other

- Add Spacers to increase Trolley width. Move bikes more gently to reduce chances of impact.

Will I damage my bike hanging it from its wheel?

- No! SpaceRail puts a very low load on your bike compared to the forces put through your bike during normal cycling.

Will I damage my rims?

- No! The Hook has a wide contact area and the Hook Cover is made from plastic so will not damage or scratch your rims.

Can I get spare parts for my Bike Hook?

- Yes! Parts are available separately on our website.

The Bike Hook is scraping the cut out in the Rail during movement

- Bike Hook is being loaded unevenly and is angled too far. Remove load and reposition to centralise load.

WARRANTY/RETURNS

All hardware from Stashed Products is covered under our 2-year no quibble warranty. Please see our website for full details.

If any issues arise outside of the warranty period, then we have designed our products to be easily serviceable to ensure they have a long working life. Parts are available separately from our website.

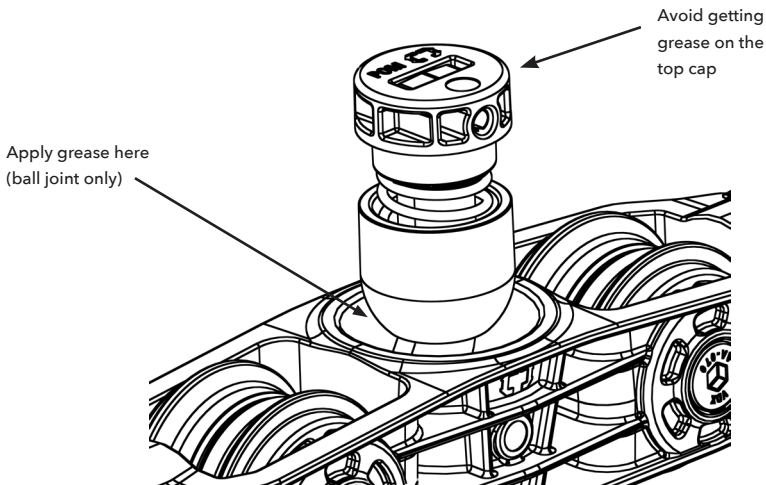
If you have problems with your product or questions, please [contact us](#) for support.



MAINTENANCE

Your Trolley is generally very low maintenance, manufactured from high quality materials and should give years of use. Some basic maintenance tips:

- Ensure the Bike Hook is kept clean and free from debris, this is especially important in all moving areas. Clean your Trolley with a soft cloth or use compressed air to remove debris from hard-to-reach areas.
- Apply a small amount of silicone based grease to the moving components such as the ball joint in the Trolley/Bullet and between the Wheels and Axles.
- **⚠ WARNING: DO NOT GREASE THE TOP CAP AS THIS WILL REDUCE MECHANISMS PERFORMANCE!**
- **⚠ IMPORTANT: ALWAYS APPLY GREASE TO THE BALL JOINT BEFORE FIRST USE. TAKE CARE NOT TO GET GREASE ON THE TOP CAP AREA.**



PERIODIC CHECKS:

1. Presence and tightness of all bolts and screws.
2. Wear to any components such as wheels or impact areas.
3. Ensure free movement of trolleys and mechanisms function correctly.

STASHED

MADE IN WALES by STASHED PRODUCTS

Unit 6 Abermule Business Park,
Abermule, Powys, SY15 6FB, UK

www.stashedproducts.co.uk
sales@stashedproducts.co.uk

Tel +44 (0) 3301 334 836
WhatsApp +44 (0) 7575 032 418

Got a great install? Share it at

@STASHEDPRODUCTS

#LIFESTOREDBETTER

