

STASHED 



SPACE
RAIL

ANGLED CEILING MOUNT KIT

INSTRUCTIONS & INSTALLATION GUIDE

VERSION .03

LIFE STORED BETTER




LIFE

GREAT KIT LETS US
GET MORE OUT OF LIFE


STORED

STASHED STORAGE SAVES SPACE
WITH NO LOSS OF ACCESS


BETTER

SIMPLY BETTER BY DESIGN



→ STASHED

Welcome to your life, stored better

At Stashed, we design and build premium space saving storage systems, so you can enjoy your life, stored better.

Our products are tough enough for business, trusted by professional athletes and are saving space for thousands of riders in homes all over the world.

Your product has been thoughtfully designed, tested and manufactured in Wales (UK) by people who are passionate about quality products and care about protecting your kit as much as you do.

All our products are built to last and are covered by our no quibble 2-year guarantee in the unlikely event you'll need to use it!

Thank you for purchasing this product, we hope you enjoy using it as much as we enjoyed making it.

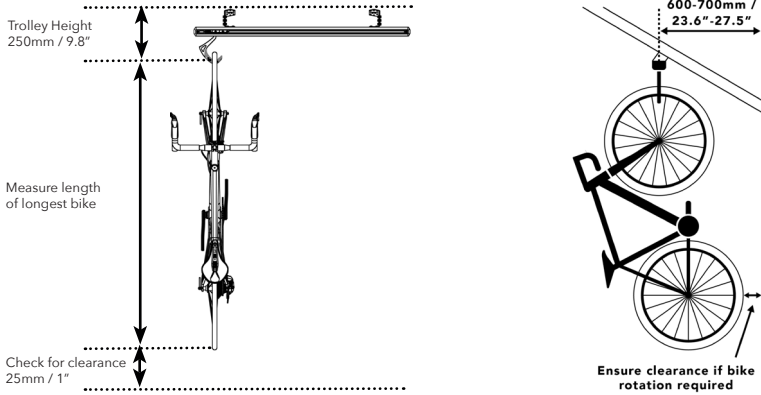
Stashed Products Team



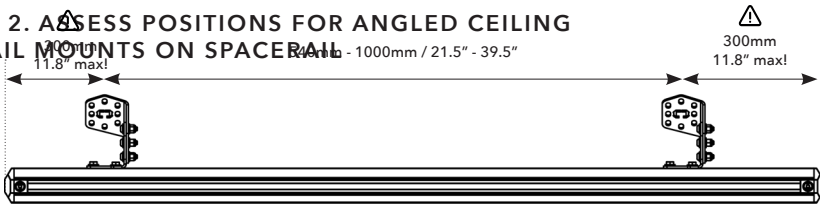


QUICK START

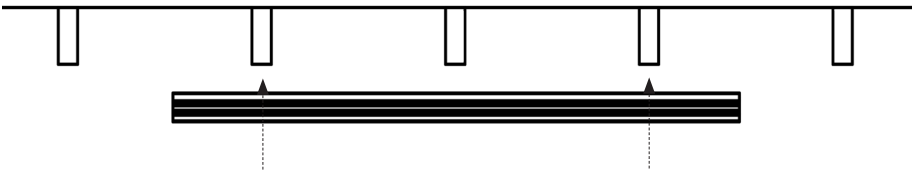
➔ 1. CHOOSE INSTALL POSITION AND MEASURE BIKES TO CHECK HEIGHT AND DISTANCE FROM OBJECTS



➔ 2. ASSESS POSITIONS FOR ANGLED CEILING RAIL MOUNTS ON SPACER RAIL

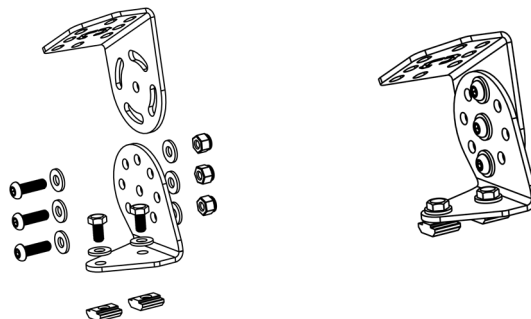


➔ 3. CHECK SELECTED LOCATION TO ENSURE SUITABLE MOUNTING STRUCTURE FOR ALL RAILS

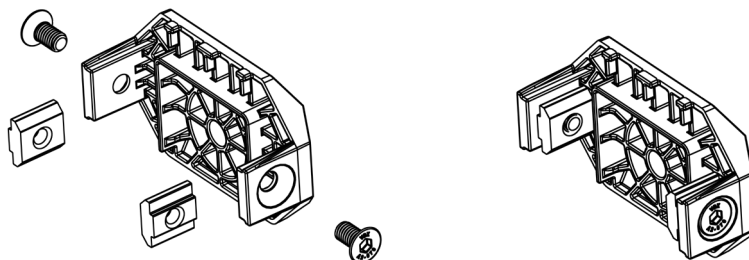




④ 4. ASSEMBLE ANGLED CEILING MOUNTS
- DO NOT FULLY TIGHTEN BOLTS

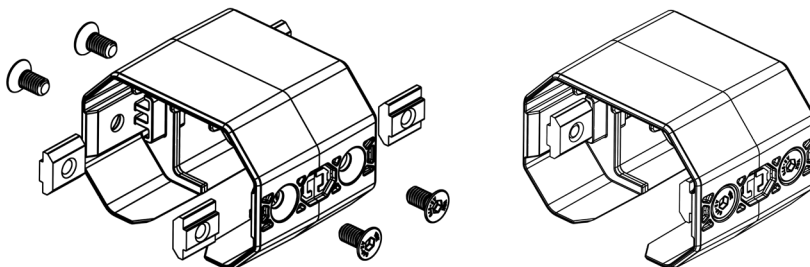


④ 5. ASSEMBLE END CAPS, LOOSELY TIGHTEN BOLTS



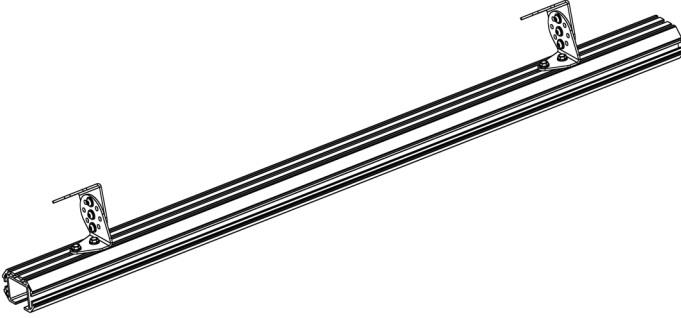
④ 6. ASSEMBLE JOINER, LOOSELY TIGHTEN

If required

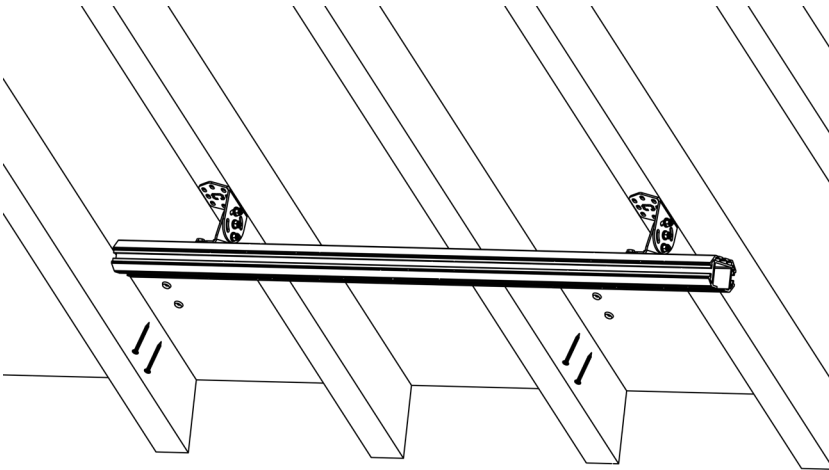




⑦ 7. ASSEMBLE ANGLED CEILING MOUNTS TO THE RAIL AND TIGHTEN LOOSELY



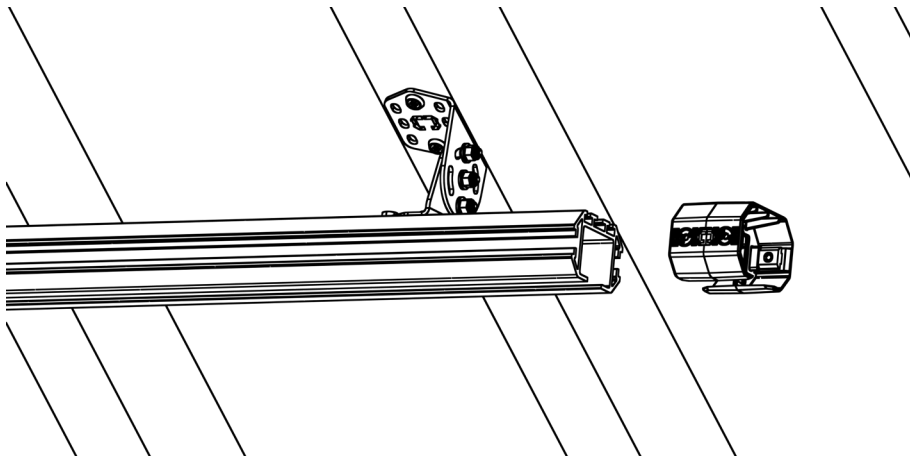
⑧ 8. INSTALL RAIL TO CEILING STRUCTURE. MAKE FINAL ADJUSTMENTS AND FULLY TIGHTEN.



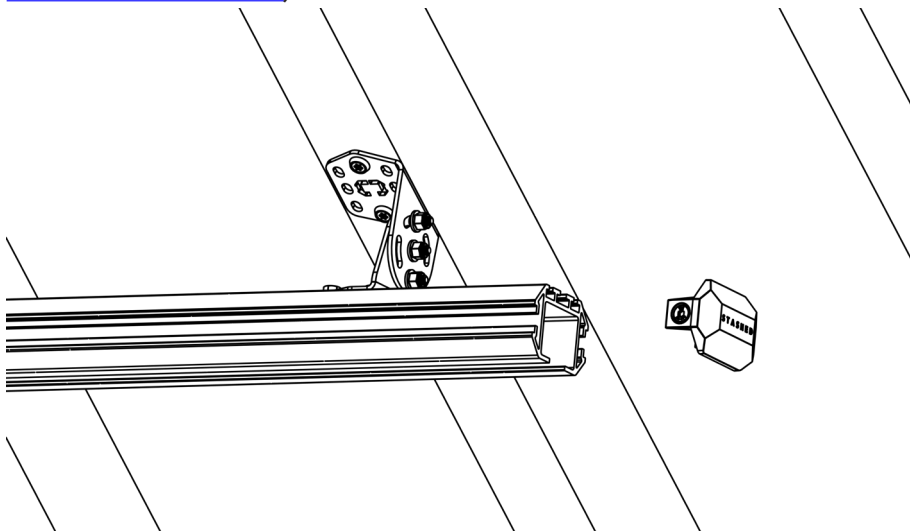


→ 9. INSTALL JOINER AND HANG ADDITIONAL RAILS FOLLOWING THE SAME PROCESS. ADJUST AND FULLY TIGHTEN

If applicable



→ 10. INSERT TROLLEYS (REFER TO [SPACERAIL HOOK INSTRUCTIONS](#)). ATTACH END CAPS





CONTENTS

| | |
|---|----|
| Stashed Products | 1 |
| Quick Start | 2 |
| General Notes | 7 |
| Technical Specification | 8 |
| Warnings | 9 |
| Parts Identification | 10 |
| Tools Required | 12 |
| Mounting Guide | 13 |
| → Fundamentals | 13 |
| → Mounting Height | 14 |
| → Mounting Across Beams | 14 |
| → Mounting Along Beams | 15 |
| → Mounting Angle | 15 |
| → Suggested Mounting Locations | 16 |
| Installation | 18 |
| → Assemble Angled Ceiling Mounts | 19 |
| → Assemble End Caps | 20 |
| → Assemble Joiner | 21 |
| → Slide Angled Ceiling Mounts to Required Positions | 22 |
| → Hold Rail to Ceiling and Attach | 23 |
| → Install Additional SpaceRail Kit (if required) | 24 |
| → Insert End Caps | 24 |
| → Adjust Angle | 25 |
| FAQ | 26 |
| Warranty>Returns | 26 |
| Maintenance | 27 |
| Notes | 28 |



GENERAL NOTES

These instructions are for Angle Mounting the SpaceRail Kit to a wooden structure, such as ceiling joists, beams, rafters or a structure made by you. Please refer to your other products for their own instructions.

⚠ WARNING: THIS KIT IS NOT SUITABLE FOR INSTALLATION SOLELY INTO PLASTER BOARD OR A NON-LOAD BEARING STRUCTURE. IT MUST BE SECURELY ATTACHED TO A ROBUST STRUCTURE SUITABLE OF SUPPORTING THE LOAD!

Appropriate DIY experience is required to install this system correctly, if in doubt get a professional to help.

Take time to fit your SpaceRail Wall Kit correctly. A poorly fitted SpaceRail will stop the system running correctly and reduce the performance, possibly leading to it not holding the loads stated and reducing your enjoyment using it.

Each SpaceRail Kit is suitable for up to 4 bikes, but an unlimited number of additional SpaceRail Kits can be added to increase bike storage capacity. Depending on the type and size of the bikes to be stored, the addition of a SpaceRail Extension Kit may be required to ensure suitable access.

If you are unsure on how to fit or use this product, please reach out and ask our experts or look for fitting examples and instruction videos on our website www.stashedproducts.co.uk

SpaceRail can also be mounted to walls and ceilings. Please visit our [website](#) or use the QR codes to find out more about alternative mounting options.

Rail Kit and Hooks are sold separately

Ceiling Mounted



Wall Mounted





TECHNICAL SPECIFICATION

- **⚠ ATTACHES DIRECTLY TO CEILING JOISTS, RAFTERS, BEAMS OR OTHER SUITABLE STRUCTURES CAPABLE OF SUPPORTING THE LOAD. IT IS YOUR RESPONSIBILITY TO ENSURE THE STRUCTURE IS OF SUITABLE LOAD BEARING CAPACITY.**
- The system is infinitely extendable - dependent on how many bikes need to be stored and is only limited by available mounting structure.
- SpaceRail is suitable for internal mounting only.
- Angle Mount Component Materials: Powder Coated Mild Steel, BZP Steel
- Rail and Hook Component Materials: Nylon, 6063 T6 Aluminium, BZP Steel, Powder Coated Steel
- The suggested bikes per Rail, maximum loads and approximate total Rail length including end caps, is shown in the table below. There may be a minor variation in total rail length when joiners are used to connect rails.

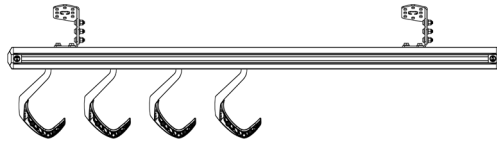
| NUMBER OF BIKES | NUMBER OF RAILS | TOTAL LENGTH (OUTSIDE OF END CAPS) | MAX LOAD INDIVIDUAL RAIL (KG / LBS) | MAX TOTAL LOAD PER SYSTEM (KG / LBS) |
|-----------------|--|------------------------------------|-------------------------------------|--------------------------------------|
| 1-4 | 1 | 114cm / 45" | 100kg / 220lbs | 100kg / 220lbs |
| 5-8 | 2 | 228cm / 90" | 100kg / 220lbs | 200kg / 440lbs |
| 9-12 | 3 | 342cm / 135" | 100kg / 220lbs | 300kg / 660lbs |
| 13-16 | 4 | 456mm / 180" | 100kg / 220lbs | 400kg / 880lbs |
| 17-20 | 5 | 570cm / 224" | 100kg / 220lbs | 500kg / 1100lbs |
| 21-24 | 6 | 684cm / 269" | 100kg / 220lbs | 600kg / 1320lbs |
| 25+ | THERE IS NO LIMIT TO THE NUMBER OF BIKES SPACERAIL CAN STORE. ADD MORE RAILS AS REQUIRED | | | |

When storing four or eight bikes additional SpaceRail Kit may be required to allow enough space for bike movement and access.

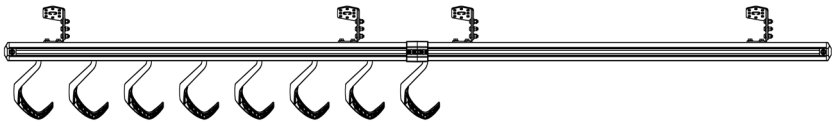
For example, we suggest that four road bikes would be acceptable on a single SpaceRail Kit, but four mountain bikes with wide handle bars might compromise access and may require an additional SpaceRail Kit.



SpaceRail Angle Mount Kit



SpaceRail Angle Kit with Additional SpaceRail Kit



WARNINGS

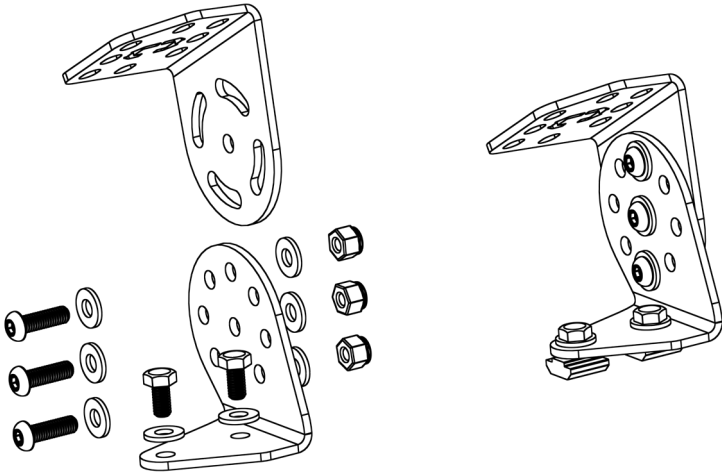
⚠ STASHED PRODUCTS DOES NOT TAKE RESPONSIBILITY FOR THE STRUCTURE THAT THE PRODUCT IS INSTALLED TO. IN USING THIS PRODUCT, THE CUSTOMER AGREES TO TAKE ALL NECESSARY MEASURES TO ENSURE THE STRUCTURE IS SUITABLE.

- Although every effort has been taken to remove sharp edges, the end of the rail can still be sharp, so take care when handling or installing this product.
- Objects can fall from the SpaceRail system if not correctly hung.
- Do not suspend a second Rail from the first Rail without ceiling support, even momentarily during installation.
- Ensure End Caps are secured correctly as these prevent hooks from falling off the Rail.
- Do not bump the End Caps with the Bike Hook during bike movement. It is not intended to absorb heavy impacts.
- SpaceRail is not suitable for shock loads. Gently place objects on to the Bike Hook.
- Not to be used by children or as a toy!
- When installing this product always wear the appropriate safety equipment when using power tools.
- Check bike is safe for use and all hanging adapters have been removed every time it is taken off the SpaceRail.
- **⚠ NEVER USE FOR HUMAN SUSPENSION!**
- **⚠ WARNING: CANCER AND REPRODUCTIVE HARM.**
SEE WWW.P65WARNINGS.CA.GOV



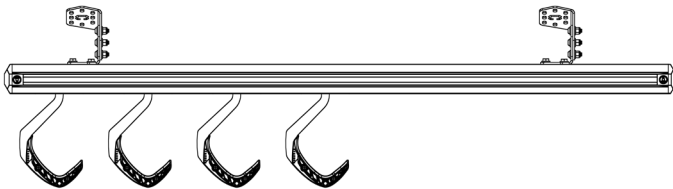
PARTS IDENTIFICATION

⊙ SPACERAIL ANGLE MOUNT KIT





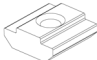






⊙ SPACERAIL ANGLE MOUNT KIT

Rail Kit and Hooks are sold separately





SPACERAIL ANGLE MOUNT KIT PARTS

| PART | IMAGE | QUANTITY |
|------------------------------------|---|----------|
| Angle Bracket - Upper |  | 2 |
| Angle Bracket - Lower |  | 2 |
| T Nut |  | 4 |
| M6 x 12mm Hex Head Set Screw |  | 4 |
| 5mm x 60mm Wood Screw |  | 4 |
| M6 x 20mm Socket Button Screw 4 |  | 6 |
| M6 Washer |  | 16 |
| M5 Countersunk Cup Washer |  | 4 |
| M6 Nyloc Nut |  | 6 |



TOOLS REQUIRED

As a cyclist we anticipate you will already have the majority of the tools you need to install this product.

- 4mm hex key
- Spirit Level
- Pencil
- Tape Measure
- No.2 Pozi screwdriver
- Impact Driver
- T25 Torq Bit
- 10mm Spanner
- A helper*
- Stud Finder*


* Not essential, but makes the installation easier and safer.

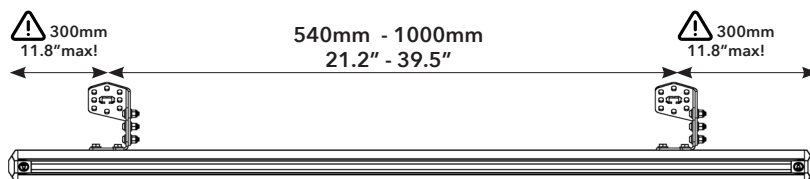


MOUNTING GUIDE

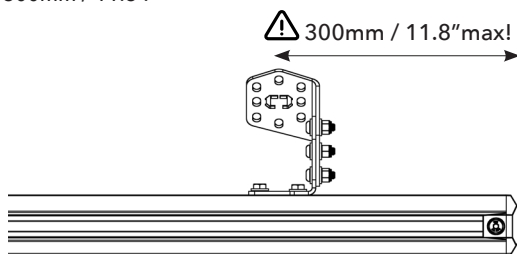
➔ FUNDAMENTALS

Your SpaceRail Kit is adaptable to many different situations, but a few fundamental mounting rules should be followed:

-  **BE AWARE OF WATER AND GAS PIPES AND ELECTRICITY CABLES. ALWAYS CHECK WITH A PROFESSIONAL IF YOU'RE UNSURE.**
- Each Rail must be suspended from at least two Angled Ceiling Mounts, each with two Screws. Additional Angled Ceiling Mounts can be used to add extra support and share the load.
- Locate mounting points that are structurally suitable so that the kit can be installed with the rail flat and parallel. Check with a spirit level. If you have a flat ceiling or want to mount to a wall, visit our [website](#) to see our alternative mounting kits.
- The supplied timber screws require at least 50mm of thread engagement to a solid timber structure to achieve full strength. If you have a non-timber mounting structure then you will need to provide your own fixings.
- Angled Ceiling Mounts are adjustable and should be located 540mm-1000mm / 21.2" - 39.5" apart to fit your mounting structure. Most buildings have beams or joists at 400mm / 15.7", 500mm / 19.7" or 600mm / 23.6" spacing. If your ceiling is boarded then we suggest using a Stud Finder tool as it is essential you locate the supporting structure correctly.



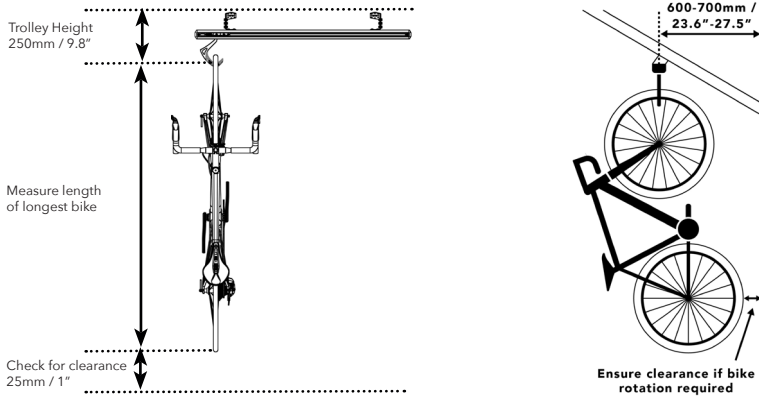
- The maximum cantilever length from the centre of the Angled Ceiling Mounts to the end of the Rail is 300mm / 11.8".





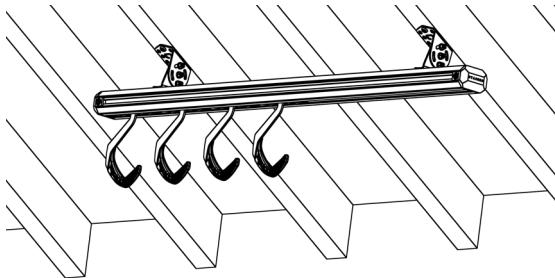
➔ MOUNTING HEIGHT

- Ensure you have enough height to hang your bikes with the wheels off the floor. The Rail and Trolley requires roughly 250mm of height allowance from the ceiling to the inside of the bikes front wheel rim, although this varies depending on the ceiling angle.



➔ MOUNTING ACROSS BEAMS

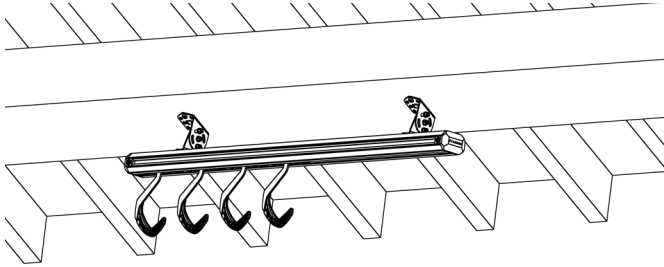
- In an ideal scenario each Rail should be mounted across at least two independent load bearing beams to spread the weight of the system.





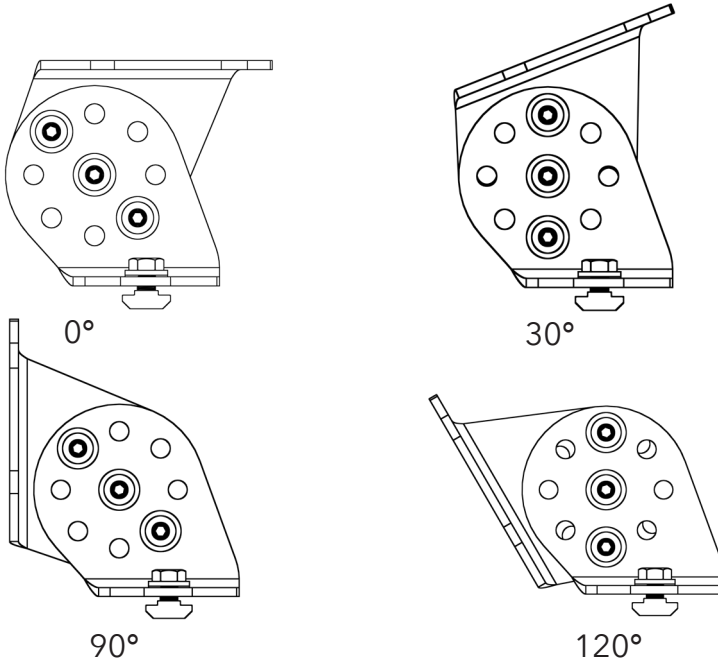
➔ MOUNTING ALONG BEAMS

- If mounting parallel with a beam, then the loads may need to be shared across multiple rafters or joists. A supplementary beam spanning component may be required.



➔ MOUNTING ANGLE

- The Angled Ceiling Mounts can be installed on angled surfaces from 0° to 120°. To adjust the angle loosen or remove bolts, adjust to desired angle and re-tighten all bolts.

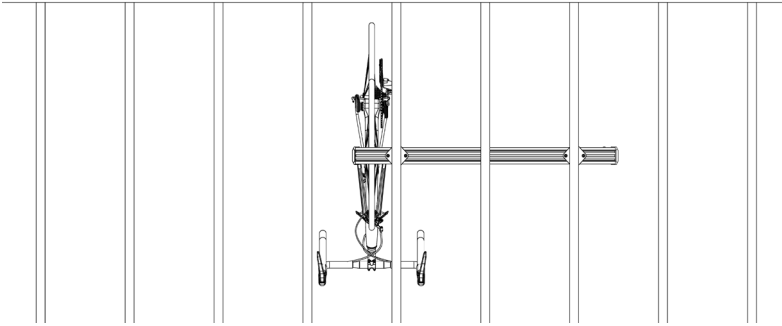




➔ SUGGESTED MOUNTING LOCATIONS

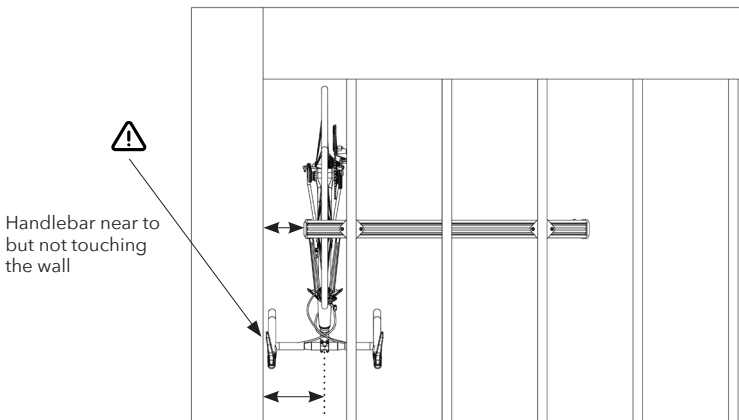
OPEN ENDED AND FREE SPACE

- The SpaceRail Kit can be mounted parallel with a wall with both ends of the system accessible, or can be hung in complete free space in the centre of a room.



CORNER

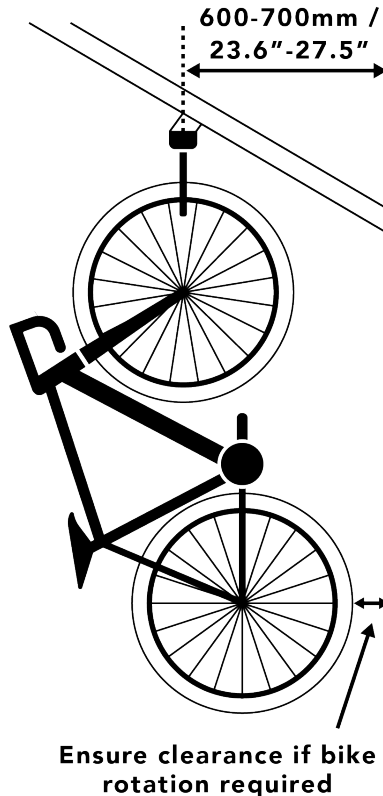
- To mount in a corner you need to ensure the end bikes handlebar do not touch the end wall.
- Measure the bike from the centre of the stem to the end of the handlebars. Use this dimension to ensure your SpaceRail is far enough away from the end wall to utilise the full length of the rail. We recommend that the handlebar of the end bike should be near to, but not touching the wall.





MOUNTING PARALLEL TO A WALL

- The distance needed to mount your Angled SpaceRail Kit away from any parallel wall, depends on both the size of your bikes and if rotation is required once hung.
- Look for the largest bike you are planning on storing and measure the length and depth to ensure it can spin freely once hung. On bikes with wide handlebars this dimension might also need to be taken in to account.
- For optimum Rail performance the bikes should not rest against the wall once hung up, although this is possible providing hooks are not angled in the rail.
- As a general rule, the Rail is normally mounted between 600 - 700mm / 23.6" - 27.5" away from walls or other objects to ensure bikes can spin and slide freely.



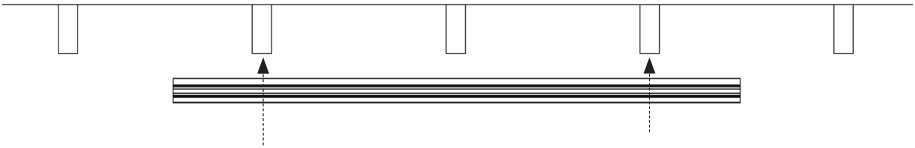


INSTALLATION

➔ LOCATE POSITION

⚠ THE RAIL KIT MUST BE SCREWED TO A ROBUST STRUCTURE AND NOT SOLELY IN TO PLASTERBOARD!

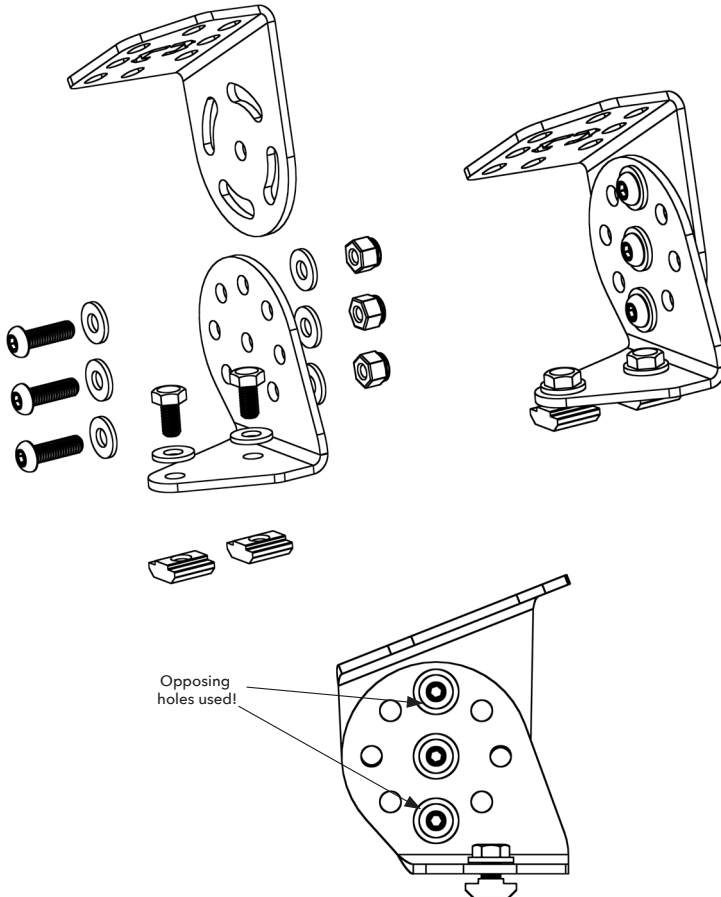
- Ensure the points where the Angled Ceiling Mounts are mounted are flat, of solid structure and parallel. If not then the Rail could be mounted at an angle, misaligned or twisted and will not function correctly. Use a spirit level to check.
- Measure distance between mounting points and check they are suitable for mounting. Note dimensions for loosely mounting the Angled Ceiling Mounts to the Rail.
- If you are installing more than one Rail then ensure suitable mounting points are available for all Angled Ceiling Mounts on subsequent Rails.





① ASSEMBLE ANGLED CEILING MOUNTS

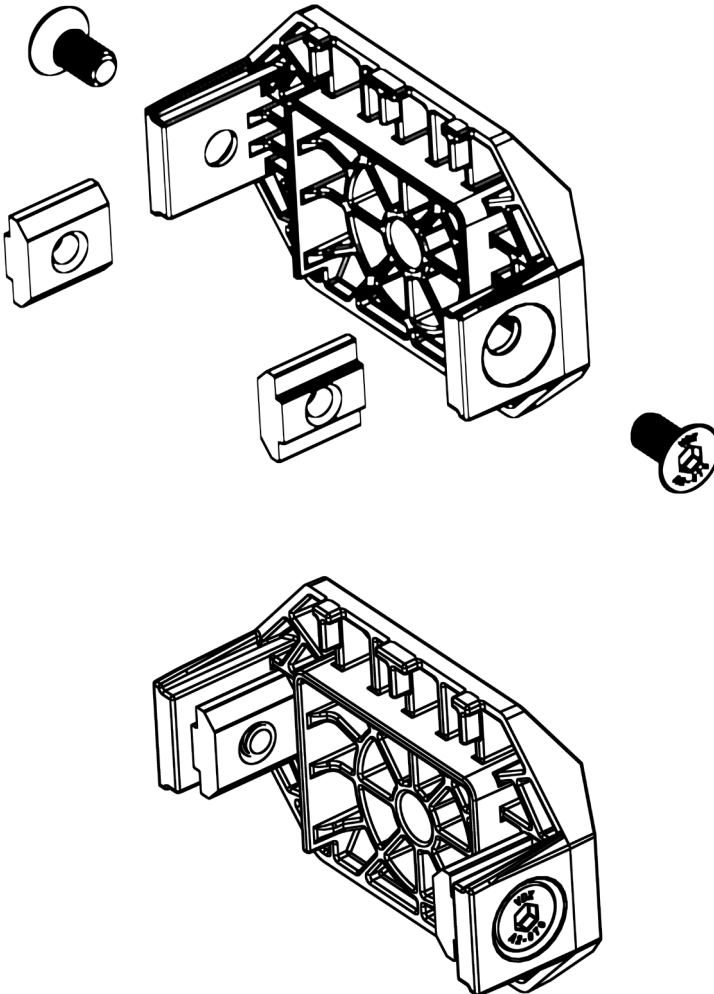
- Place the M6 x 20mm Bolts through the M6 Washer and M6 Washer. Place through the holes/slots in the Angled Ceiling Mounts. Add M6 Washer and thread on the M6 Nuts. Place M6 x 12mm Hex Bolts through Angle Bracket - Lower and loosely screw to the T-Nuts. Do not tighten fully.
- Note: Any combination of opposing slots and holes around the central hole can be used depending on the angle setting required.





➔ ASSEMBLE END CAPS

→ Place the M6 x 12mm Countersunk Bolts through the countersunk holes in the sides of the End Cap and loosely screw to T-Nuts. Do not tighten fully.

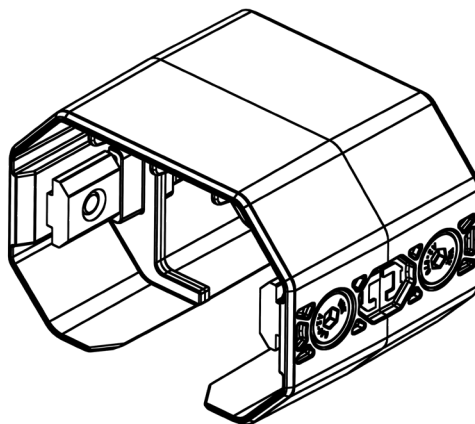
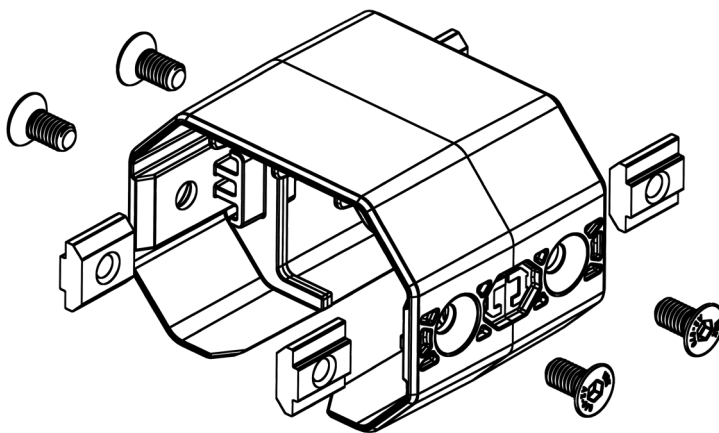




➔ ASSEMBLE JOINER

If applicable

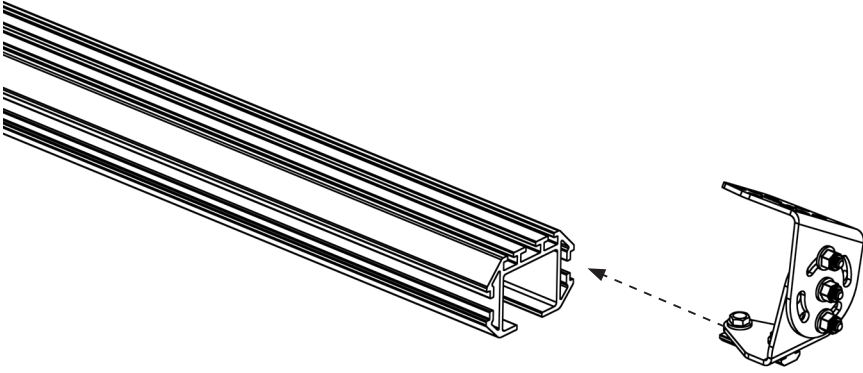
- Place the M6 x 12mm Countersunk Bolts through the countersunk holes in the sides of the Joiner and loosely screw to T-nuts. Do not tighten fully.



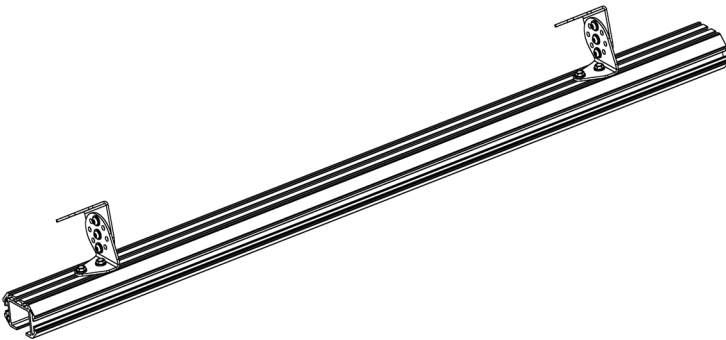


④ SLIDE ANGLED CEILING MOUNTS TO REQUIRED POSITIONS

- Slide the Angled Ceiling Mounts into the Rail by aligning and inserting the T-nut into the central section of the top of the Rail.



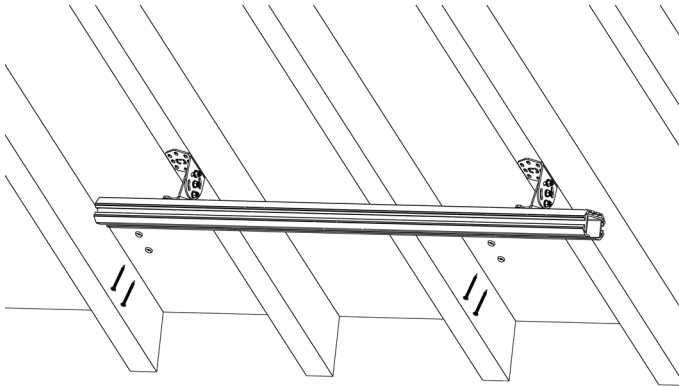
- Slide Angled Ceiling Mounts to positions noted earlier and loosely tighten, using a 10mm spanner.





⊕ HOLD RAIL IN POSITION AND ATTACH

- Hold Rail in the correct position on the ceiling structure so Angled Ceiling Mounts align with your mounting locations.
- Be sure to avoid water and gas pipes and electric cables. If you're unsure contact a professional.
- Screw Angled Ceiling Mounts to ceiling structure using 4 x Wood Screws and 4 cup washers



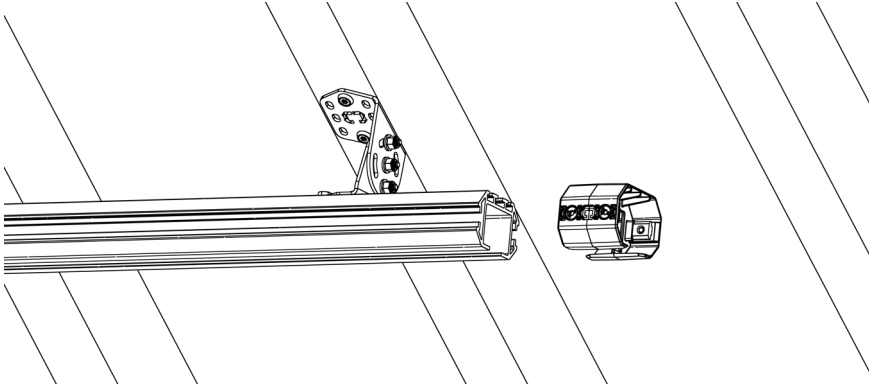
Note: Ensure Rail is level, parallel with any surrounding objects and not bent, twisted or distorted from the installation process. Check using a spirit level. You may need to add shims or packing pieces under the Angled Ceiling Mounts to get correct alignment.



➔ INSTALL ADDITIONAL SPACERAIL KIT

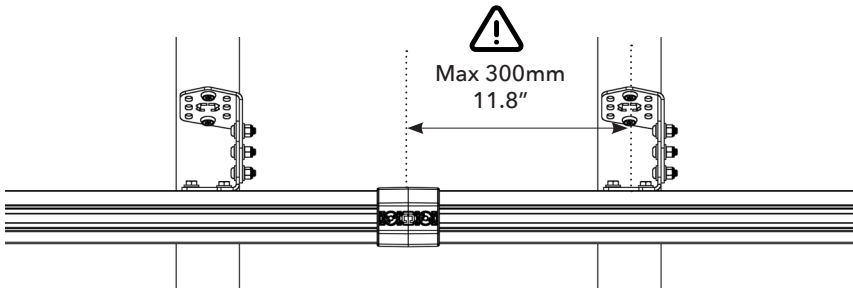
If applicable

- Before fitting the second Rail to the mounting structure, attach the Rail Joiner to the Rail and loosely tighten the M6 x 12mm Countersunk Bolts to hold it in place.



- Assess fitment location for second Rail and loosely attach the Angled Ceiling Mounts to the rail.
- Fit the second Rail to the first rail - keep well supported. Check mounting locations and then repeat installation process.
- Do not rely on the Joiner component alone to support the second rail!
- Ensure both Rails are parallel and aligned concentrically. Screw the second Rail to the ceiling and equally tighten bolts in Joiner.

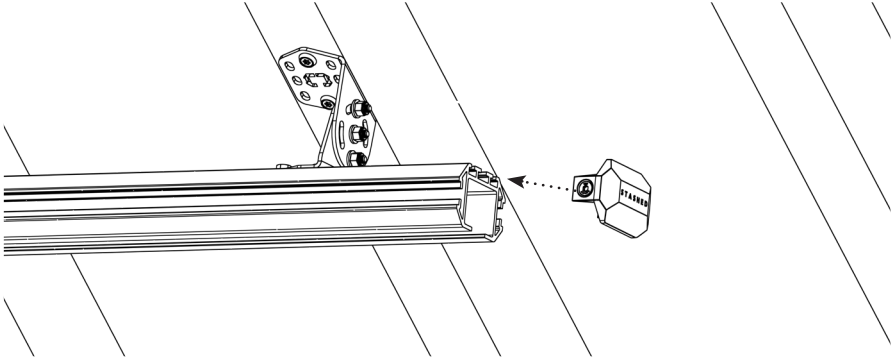
⚠ WARNING: DO NOT MOUNT WITH CENTRE OF JOIN MORE THAN 300MM / 11.8" FROM THE CENTRE OF AN ANGLED CEILING MOUNT.





➔ INSERT END CAPS

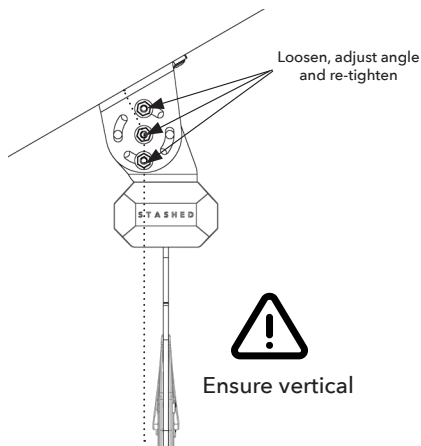
- Align T-nuts to Rail and slide End Cap into Rail and tighten Bolts equally with a 4mm Hex Key.



- Insert Trolleys in to Rail ([see separate instructions](#)) and ensure they run freely and smooth the whole length of the Rail. Repeat process for second End cap.

➔ ADJUST ANGLE SO HOOKS HANG VERTICALLY

- Loosen all the M6 Bolts and adjust angle of the Rail so Hooks are vertical. Tighten all three M6 Bolts once the correct angle has been achieved.





FAQ

My Bike Hook keeps rolling on its own

- Check the level of your Rail. Adjust with shims or packing components if necessary.

Can I shorten the Rail?

- Yes! You can cut the Rail to any length you require, but be sure to de-burr the ends well with a small file. We recommend using a power chop saw with blade suitable for aluminium. Do not attempt this with a hack saw.

My Trolley gets stuck in the joint

- Rails are not positioned or aligned correctly. Remove all bikes, adjust Rails and refit.

I cannot spin my bikes or access them easily

- Change bike order to improve access.
- Rail length is not long enough so add additional SpaceRail Extension Kit.

How many Rails can I join?

- The number of Rails that can be joined together is unlimited and is only constrained by available support structures. Consult a structural engineer if you are unsure of the maximum load your structure can support.

WARRANTY/RETURNS

All hardware are covered by a 2-year no quibble warranty.
Please see our [website](#) for full details.

If any issues arise outside of the warranty period, then we have designed our products to be easily serviceable to ensure they have a long life in service. All parts are available separately from our website.

If you have problems with your product or questions, please contact us for support.



MAINTENANCE

Your Rail Kit is generally very low maintenance and should give years of use. Some basic maintenance tips:

- Ensure the Rail is kept clean and free from debris, this is especially important on the faces where the Bike Hook wheels run.
- Clean your Rail with a soft cloth or use compressed air to remove debris from hard to reach areas.

PERIODIC CHECKS

- Check the structural integrity of the mounting area.
- Apply grease to the bullet of the hook, being careful to avoid the top cap.
- Check all bolts and screws - retighten if necessary.
- Check for wear to any components such as wheels or impact areas.
- Ensure free movement of trolleys when loaded.
- Ensure Auto-Lock tech functions correctly when unloaded.



NOTES



NOTES

STASHED

MADE IN WALES by STASHED PRODUCTS

Unit 6 Abermule Business Park,
Abermule, Powys, SY15 6FB, UK

www.stashedproducts.co.uk
sales@stashedproducts.co.uk

Tel +44 (0) 3301 334 836
WhatsApp +44 (0) 7575 032 418

Got a great install? Share it at

@STASHEDPRODUCTS

#LIFESTOREDBETTER

