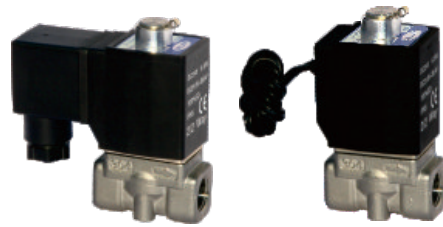


Fluid control valve(2/2way)

2KS Series (Direct-acting and normally opened)



Ordering code

Ordering code of valves

2KS H 030 08 A □ T

① ② ③ ④ ⑤ ⑥ ⑦

① Model	② Pressure condition	③ Size series	④ Port size	⑤ Voltage	⑥ Electrical entry	⑦ Thread type
2KS: 2/2 way direct-acting and normally opened	X: Extra high pressure H: High pressure Blank: Standard L: Large volume	030: 030 Series	06: 1/8" 08: 1/4"	A: AC220V B: DC24V C: AC110V E: AC24V F: DC12V	Blank: Terminal I: Grommet	T: NPT
		050: 050 Series	10: 3/8" 15: 1/2"			

Ordering code of accessories

Ordering code of accessories is the same as 2S series valve's. Please refer to P147 for details of ordering code.

Specification

Model\Item	Port size [Note1]	Orifice size (Φ mm)	Cv	Valid area or section (mm ²)	Weight [Note2](g)	Max.operating pressure differentia		Proof pressure	
						MPa	psi	MPa	psi
2KSX030	-06 1/8"	1.5	0.10	1.8	305	2.0	300	3.0	450
	-08 1/4"				295				
2KSH030	-06 1/8"	2.0	0.18	3.0	305	1.5	220		
	-08 1/4"				295				
2KS030	-06 1/8"	3.0	0.33	6.0	305	0.7	100		
	-08 1/4"				295				
2KSL030	-06 1/8"	4.0	0.55	10.0	305	0.4	60		
	-08 1/4"				295				
2KSX050	-10 3/8"	3.0	0.34	6.1	610	2.0	300		
	-15 1/2"				600				
2KSH050	-10 3/8"	4.0	0.55	10.0	610	1.5	220		
	-15 1/2"				600				
2KS050	-10 3/8"	5.0	0.83	15.0	610	0.7	100		
	-15 1/2"				600				
2KSL050	-10 3/8"	7.0	1.40	25.0	610	0.4	60		
	-15 1/2"				600				

[Note1] NPT thread is available.

[Note2] The weight in the table is the terminal valve's weight, 2KS030 series grommet valve's weight is 10g less than terminal's.

2KS050series grommet valve's weight is 20g less than terminal's.

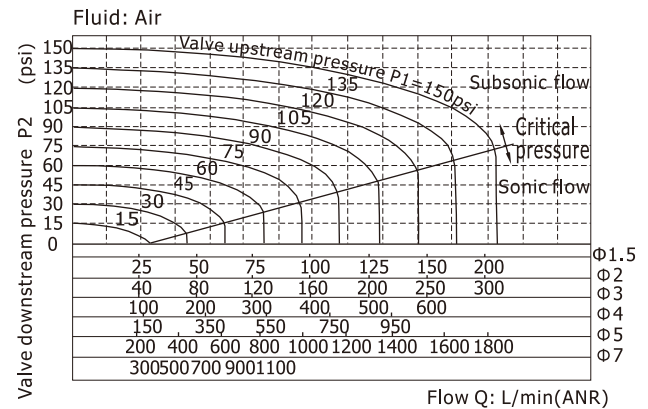
Fluid control valve(2/2way)

2KS Series (Direct-acting and normally opened)

Product feature

1. Direct acting and normally opened type 2/2 way solenoid valve. Its high sensibility allows it to change direction quickly;
2. It has wide pressure range, including extra high pressure (X), high pressure (H), standard and large volume(L) to choose from;
3. It is compact, small size and light weight. It is easy to install and dismantle.
4. The valve body is made of SUS304 . Its coil has a Heat resistance classification of Class B. The standard seal material is FPM-F. Please contact us if other material are required.
5. The protection class of the coil is IP65 and there is a choice for grommet or terminal electrical entry .

Flow chart

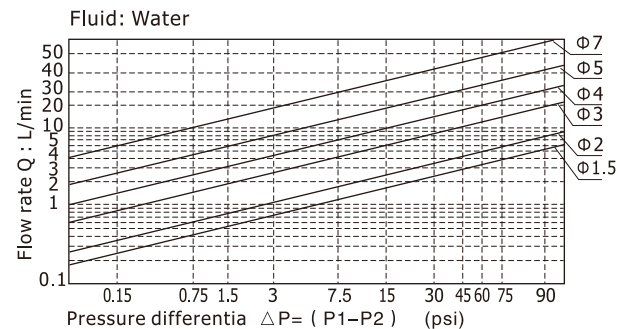


Valve's specification

Acting	Direct acting				
Initial state	Normally opened				
Adaptable fluid	Air, Water, Oil				
Viscosity limit	Under 20CST				
Ambient and fluid temperature (°C)	Water	Air	Oil	Ambient	
	Max.	80	90	80	70
	Min.	1	-20 [Note1]	-10 [Note2]	-20

[Note1] Dew point: -20(°C) or less;

[Note2] 50CST or less.



Specification of coil

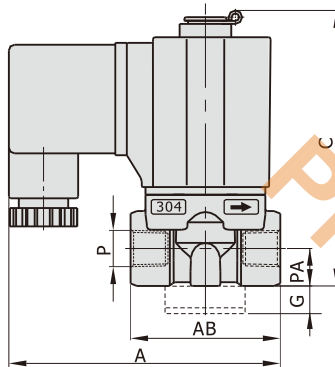
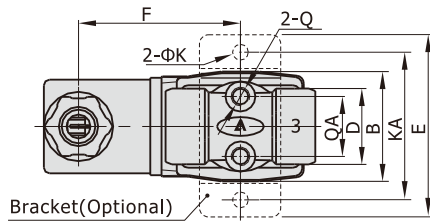
Valve type	Coil type	Power type	Frequency (Hz)	Voltage range	Electrical entry	Power Consumption (VA/W)	Insulation	Temp. rise(°C)
2KS□030	CDA116 CLA116	AC	50	± 15%	Terminal (CDA)	15.0VA	Class B	50
			60			11.0VA		40
-	± 10%	6.5W	30					
2KS□050	CDA170 CLA170	AC	50	± 15%		Grommet (CLA)		35.0VA
			60		30.0VA			60
-	± 10%	10.5W	40					

Fluid control valve(2/2way)

2KS Series (Direct-acting and normally opened)

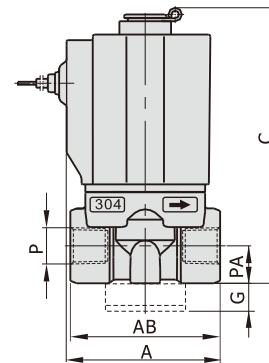
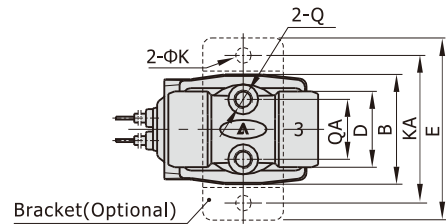
Dimensions

2KS□030 (Terminal)

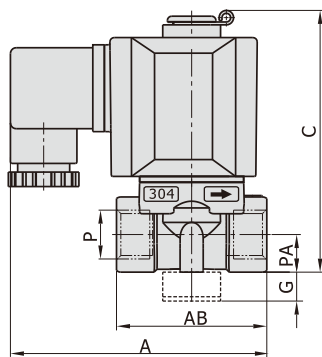
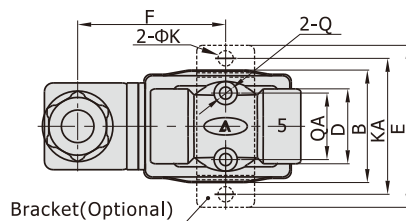


2KS□030(Grommet)

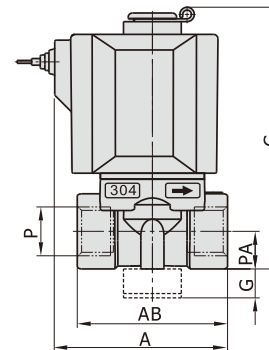
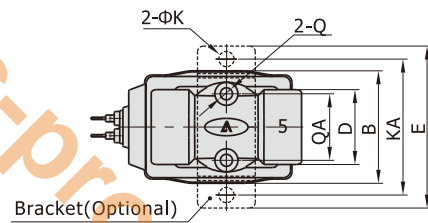
[Unit: mm]



2KS□050 (Terminal)



2KS□050(Grommet)



Model\Item	A	AB	B	C	D	E	F	G	K	KA	P	PA	Q	QA
2KS□030-06	72.5	40	29.5	76	20	49	43.5	10	5.3	40	1/8"	10	M5	16
2KS□030-08	72.5	40	29.5	76	20	49	43.5	10	5.3	40	1/4"	10	M5	16
2KS□050-10	89.5	52	39	92	26	56	51	10	5.3	48	3/8"	13	M5	23
2KS□050-15	89.5	52	39	92	26	56	51	10	5.3	48	1/2"	13	M5	23

Model\Item	A	AB	B	C	D	E	G	K	KA	P	PA	Q	QA
2KS□030-06	41	40	29.5	76	20	49	10	5.3	40	1/8"	10	M5	16
2KS□030-08	41	40	29.5	76	20	49	10	5.3	40	1/4"	10	M5	16
2KS□050-10	60	52	39	92	26	56	10	5.3	48	3/8"	13	M5	23
2KS□050-15	60	52	39	92	26	56	10	5.3	48	1/2"	13	M5	23