

DAVOR

DKS2301 SPECIFICATION SHEET

Davor DKS2301 Kitchen Sink

16 Gauge Stainless Steel Kitchen Sink

Material

304 stainless steel with nano-coating (16 Gauge)

Installation Type

Drop-in

Bowl Type

Handmade Single Bowl Sink

Dimensions

EXTERIOR DIMENSIONS:

(750mm) x (460mm) / (29.53 x 18.11 inch)

INTERIOR BOWL DIMENSIONS:

(700mm) x (350mm) / (27.55 x 13.78 inch)

SINK DEPTH:

(230mm) / (9 inch)

Accessories Included

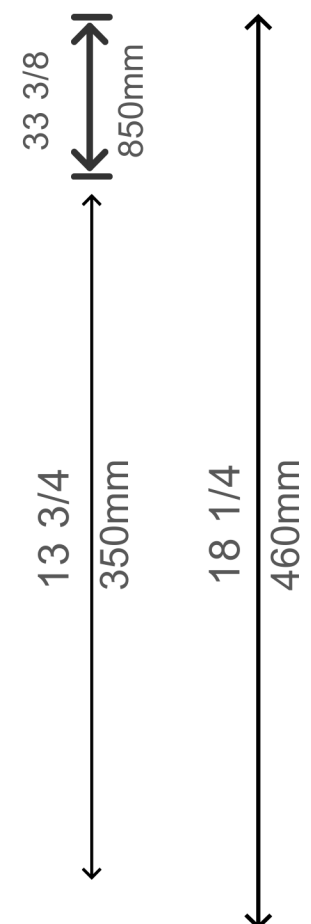
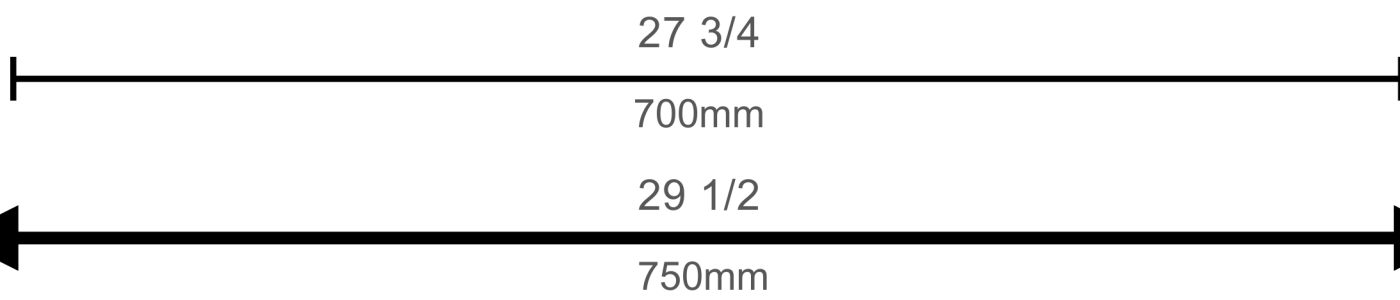
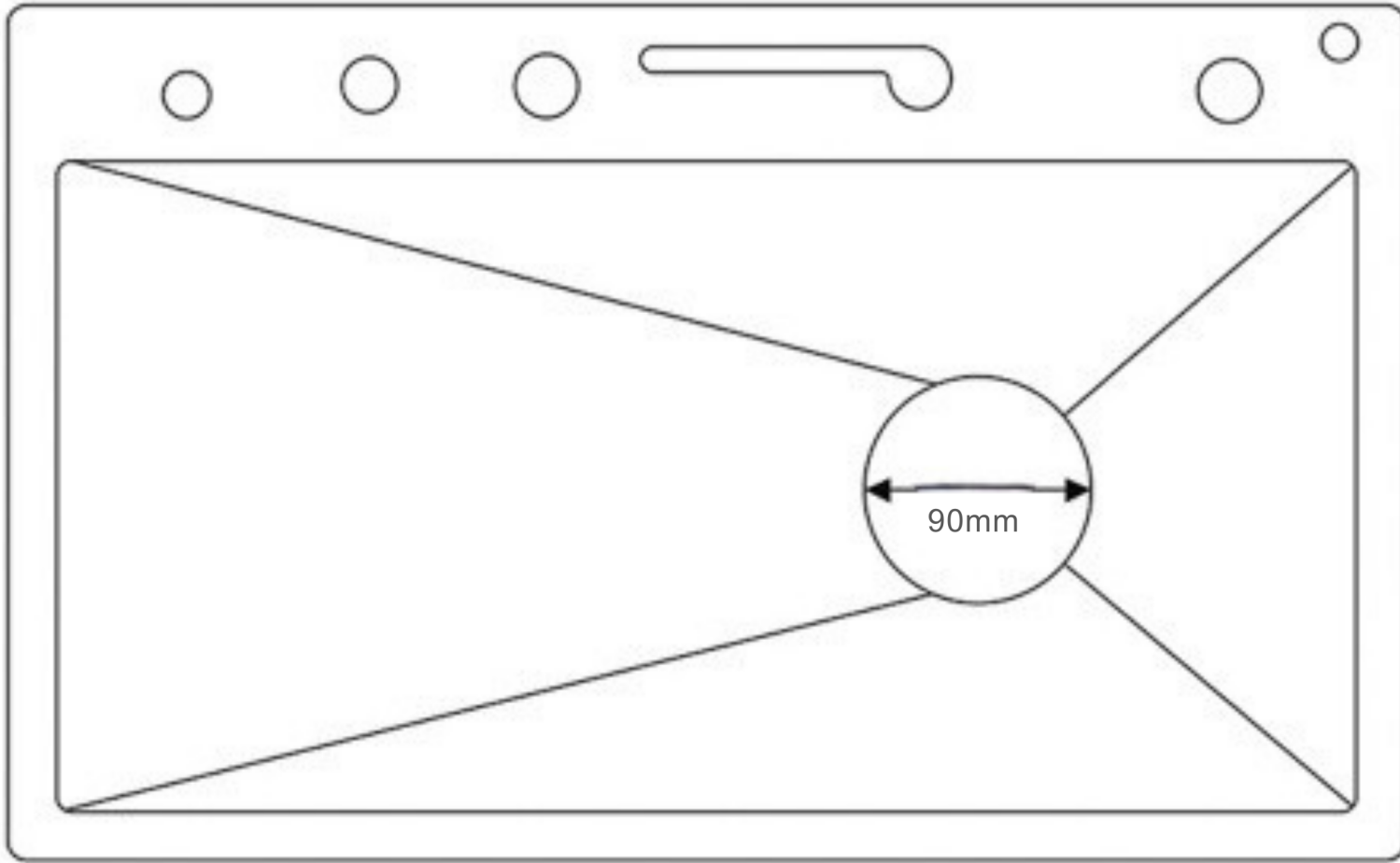
- Sink
- Waterfall Faucet & Pull-out Faucet with Glass Rinser
- Drainage System
- Cutting Board
- Soap Dispenser
- Metal Trays
- hot and cold Pipe
- Sewer Cover
- Water Purifier Faucet



DAVOR

DKS2301 SPECIFICATION SHEET

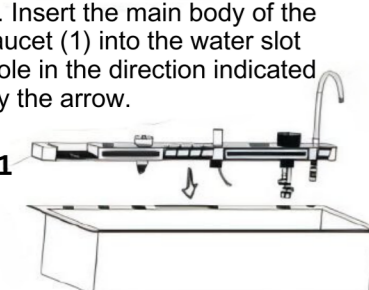
DIMENSIONS



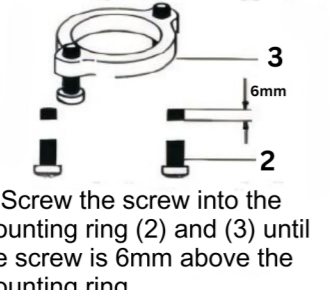
DAVOR DKS2301 INSTALLATION PROCEDURE

USE GUIDELINE

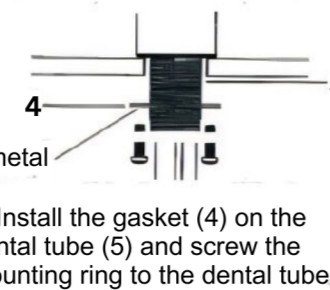
1. Insert the main body of the faucet (1) into the water slot hole in the direction indicated by the arrow.



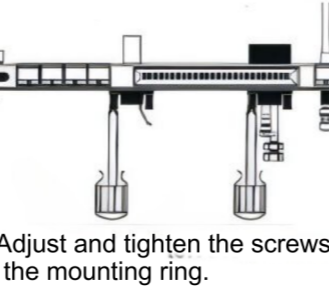
2. Screw the screw into the mounting ring (2) and (3) until the screw is 6mm above the mounting ring.



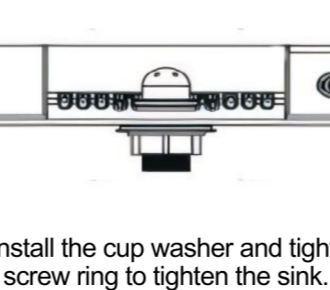
3. Install the gasket (4) on the dental tube (5) and screw the mounting ring to the dental tube.



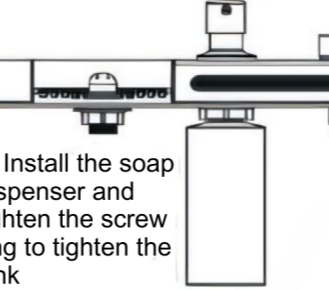

4. Adjust and tighten the screws for the mounting ring.



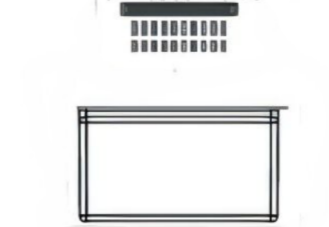
5. Install the cup washer and tighten the screw ring to tighten the sink.



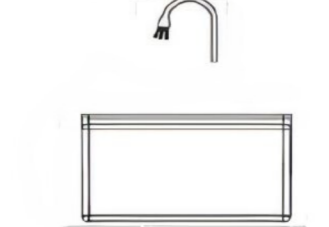
6. Install the soap dispenser and tighten the screw ring to tighten the sink.

Hand wheel switch, turn to the left for constant temperature cold water-mixed water-hot water: turn to the right to close the water main switch. **(Always turn it of after each use)**

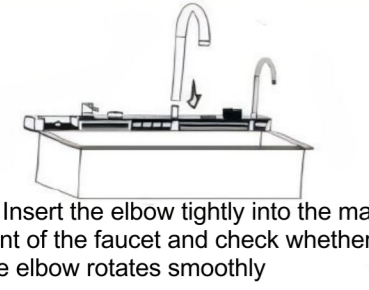


Rain water key
Cannot be used as main switch

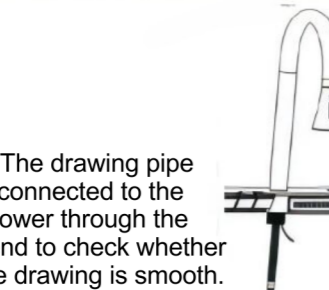


Pull head water button
Cannot be used as main switch

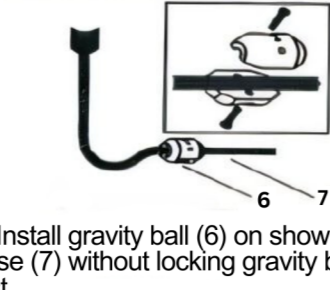
7. Insert the elbow tightly into the main joint of the faucet and check whether the elbow rotates smoothly.



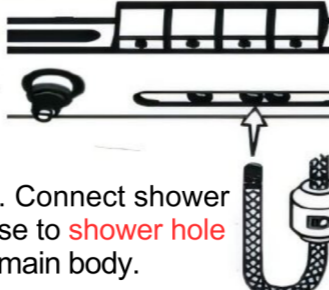
8. The drawing pipe is connected to the shower through the bend to check whether the drawing is smooth.



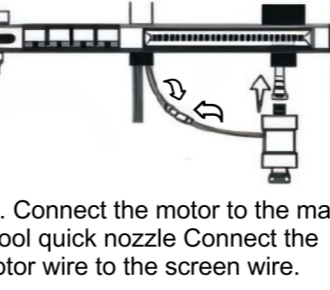
9. Install gravity ball (6) on shower hose (7) without locking gravity ball first.



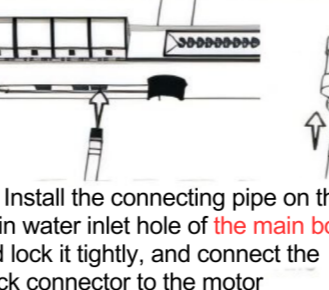
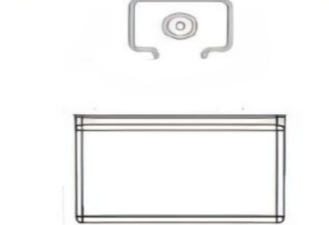
10. Connect shower hose to **shower hole** of main body.



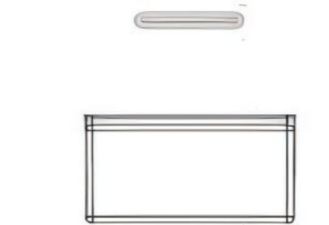
11. Connect the motor to the main spool quick nozzle. Connect the motor wire to the screen wire.




12. Install the connecting pipe on the main water inlet hole of **the main body** and lock it tightly, and connect the quick connector to the motor.

Cup washer water button
Cannot be used as main switch

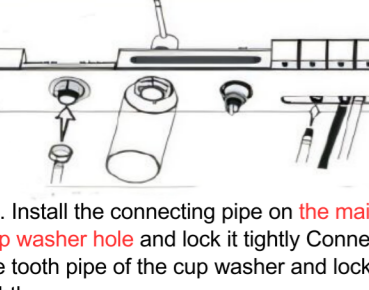


Waterfall water key
Cannot be used as main switch

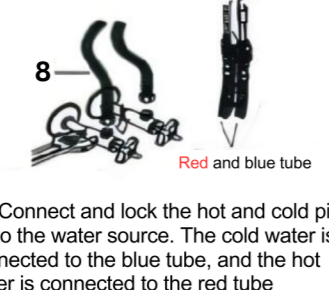


Clean water outlet button
Cannot be used as main switch

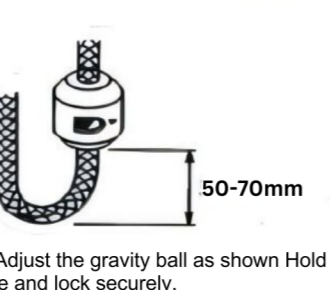
13. Install the connecting pipe on **the main cup washer hole** and lock it tightly. Connect the tooth pipe of the cup washer and lock it tightly.



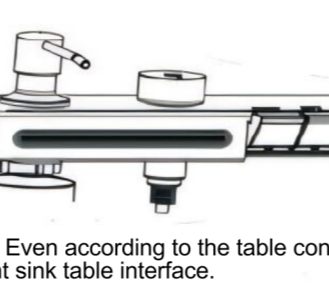
14. Connect and lock the hot and cold pipe (8) to the water source. The cold water is connected to the blue tube, and the hot water is connected to the red tube.



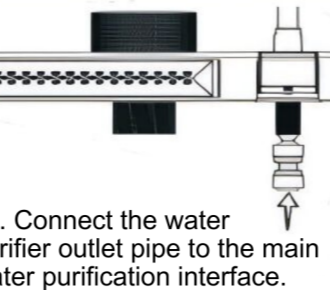
15. Adjust the gravity ball as shown. Hold in place and lock securely. 50-70mm





16. Even according to the table control light sink table interface.




17. Connect the water purifier outlet pipe to the main water purification interface.



18. Turn on hot and cold water and tap switch, let water flow out for about two minutes.

The digital screen displays the water temperature/effluent time.

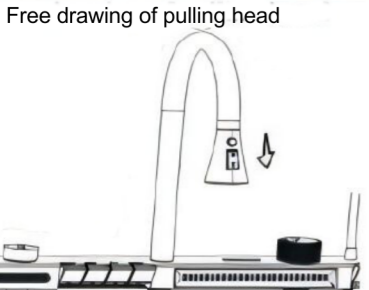


Console switch knob

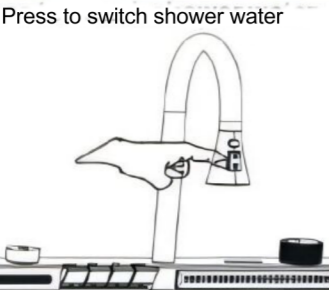


Soap dispenser press key

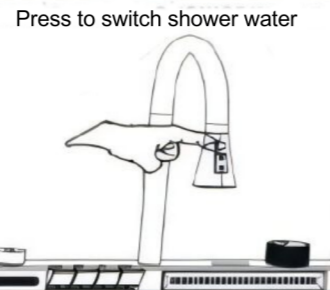
Free drawing of pulling head



Press to switch shower water



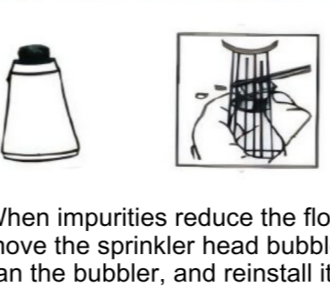
Press to switch shower water



Faucet maintenance:
1. Turn on the faucet and rub the nozzle to clean up impurities.



2. When impurities reduce the flow, remove the sprinkler head bubbler, clean the bubbler, and reinstall it.



Cup washer Silicone pad removable for cleaner



Installation completion check
Check and ensure that all joints are tight and hand wheel is in closed position. Turn on the main water and drainage systems, check and repair leaky interfaces

Cleaning instruction
Not for all processed surfaces: Wash the coated surface with neutral soapy water and dry the entire surface thoroughly with a clean soft cloth. **Many cleaners such as ammonia, detergent powder, toilet cleaner, etc., will cause damage to the coating surface, should not be used.** Wear cleaning appliances or cleaners should not be used on faucets and accessories.