

# SWORD SERIES MONITOR ARMS



[WWW.SYLEX.COM](http://WWW.SYLEX.COM)

The latest & best in ergonomics & function



# SWORD SERIES MONITOR ARMS

The modern workplace can be both a battlefield and a playground so it is critical to be well-armed and well prepared. The new Sword Series of monitor arms provide vital adjustments and clear the desks for work. Each individual, because of variations in stature and focal length, must be able to set up their monitor to their preferred position. Correct monitor placement prevents hunching, over-extension, squinting and a range of other postural sins and OH&S issues.

## Why gas lift?

A great deal of ergonomic research these days focuses on the user experience. Not necessarily what the designer intended but what the user gets out of the product and it all points to one thing. Unless equipment adjustments are intuitive and obvious people will not adjust their working environment.

Yet postural changes are vitally important for both worker health and productivity. Further, in the modern agile office people are using multiple and shared workspaces. It's no longer one desk for life. Desks and computers are regularly shared, often with little thought about the different postural needs of the users.

Counterbalanced gas lift or spring lift arms are the simplest and most intuitive solution to varying monitor placement. All Sword Series arms incorporate counterbalance adjustment. That means you can simply grasp the monitor and move it to where you need it at any time. No need for handles, clamps, knobs, poles or screws. Although the Sword Series incorporates the latest and best in ergonomics and function, they are all surprisingly affordable. Now there is no need for compromise; everyone can be comfortable and productive.



## CONTENTS

- 3 **Gladius Arms** - The low cost ergonomic solution
- 4 **Cutlass Arms** - More style, more function, more smarts
- 5 **Rapier Arms** - Different in a good way
- 6 **Sabre Arms** - Design meets function
- 7 **Claymore** - The multi-use platform arm
- 8-9 **Accessories** - Standfirm Keyboard Arm & Laptop plate
- 10 **Sword Series Monitor Arms** - Comparison chart
- 11 **Sword Series Monitor Arms** - Product dimensions & codes

## The low cost ergonomic solution

Despite the low cost, Gladius arms offer a full range of ergonomic adjustment and a large gas-lift counterbalance range of monitor weights (2 to 9 kgs). It therefore makes the Gladius arms the obvious choice for large scale office fitouts, especially those with multiple monitor types. Gladius arms allow mounting of monitors with 75mm or 100mm VESA hole centres. Available as standard in black, the Gladius series is also available

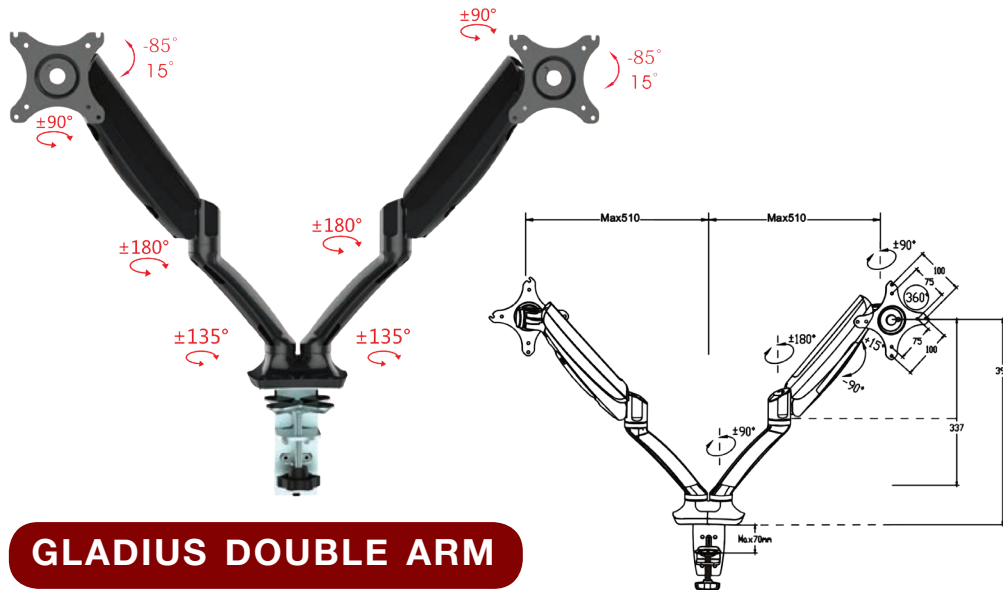
# GLADIUS SINGLE & DOUBLE ARMS

in white for contract quantities with a longer lead time. On the double version, independent gas height adjustable arms allow you to mount different sized monitors side by side in the same focal plane, avoiding tiring re-focussing and compromised postures.



## Features:

- Full rotation, 360 degrees at any position.
- Supports up to 30 inch monitors.
- 85 degrees upward, 15 degrees downward.
- Cable management.
- Both a clamp and grommet mount are included in the box.
- Tablet and laptop mounts also available.
- 10 year warranty.



### GLADIUS DOUBLE ARM

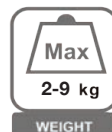


Gas Spring Designed Monitor Arm



75x75  
100x100

VESA



Max  
2-9 kg

WEIGHT



17"-30"

SCREEN SIZE



±85°  
±15°

ADJUST



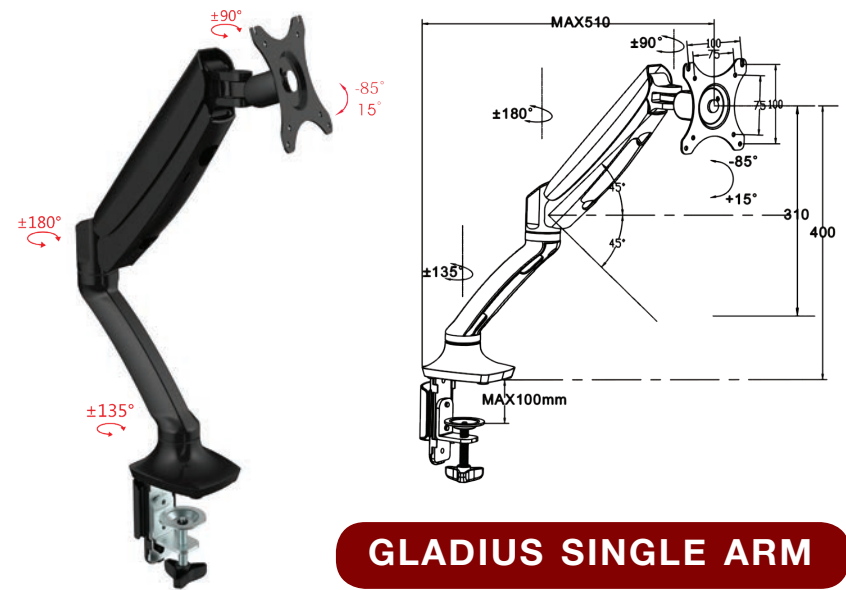
Angle adjustment



Cable management



Gas spring tension adjustment



### GLADIUS SINGLE ARM



Gas Spring Designed Monitor Arm

## More style, more function, more smarts

The all new Cutlass arms are a step up from the Gladius with contemporary slim styling, better cable management and built in USB ports right on the desktop. Elegant white and black styling in a finish which will transform any office into a modern work hub. A higher adjustment range, an upgraded desk clamp and USB ports make this the value choice among monitor mounting options.

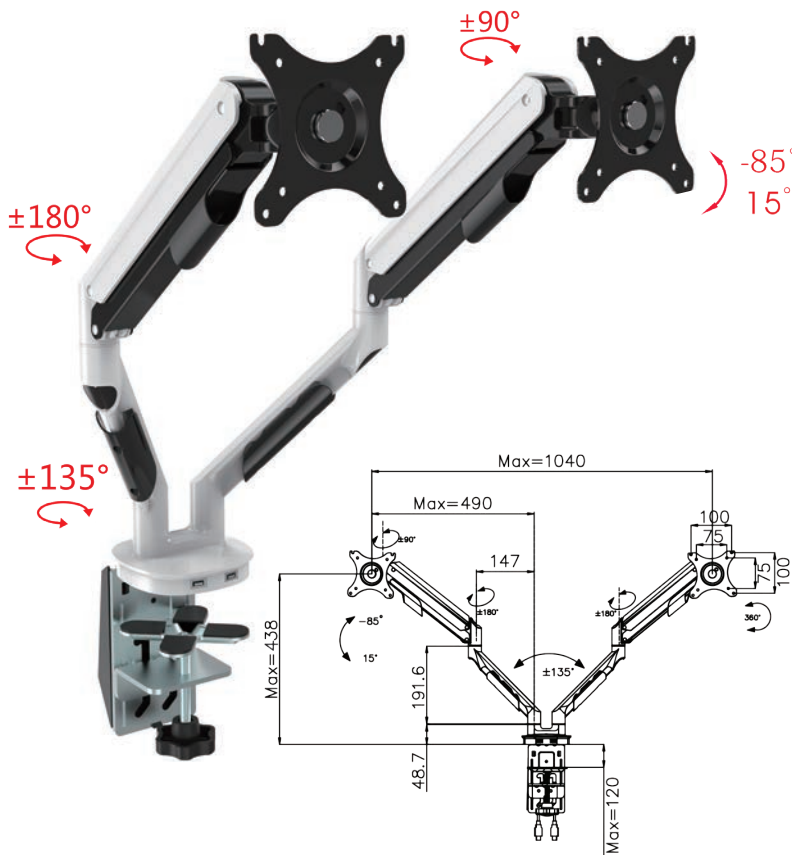
Increases your desktop real estate by lifting your monitor off the desk and lets you charge your USB devices right where your clunky monitor base used to sit. Available as single and double arms attached to a single desk mount.



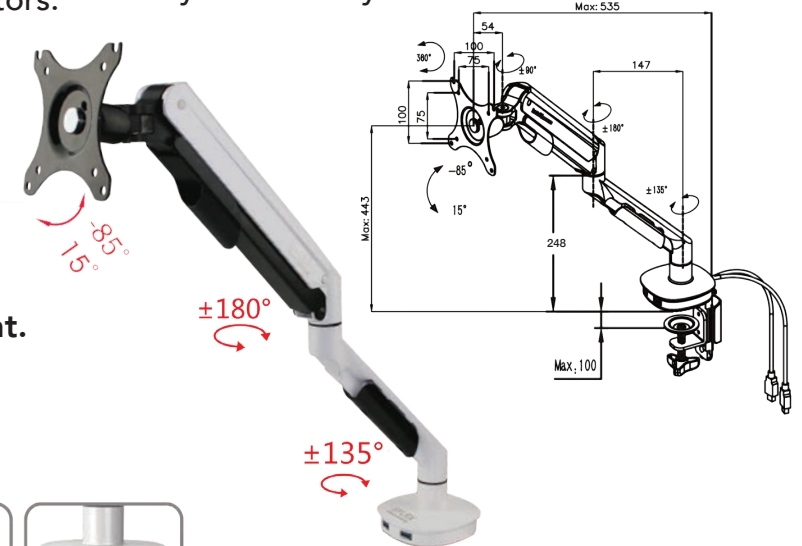
# CUTLASS SINGLE & DOUBLE ARMS

## Features:

- Made of aircraft aluminium.
- Simple and stylish modeling, compact and rugged.
- 360° free switch between portrait & landscape orientation.
- Double USB ports.
- Supports up to 30 inch monitors.
- Sleek and streamlined appearance perfectly complements any contemporary workstation.
- Both a clamp and grommet mount are included in the box.
- Tablet and laptop mounts also available.
- Dual independent balanced gaslift height adjustable arm
- 10 year warranty.



- 1 Screen tilt adjustment.
- 2 Integrated cable management.
- 3 Double USB ports.
- 4 Grommet or clamp mount.



CUTLASS DOUBLE ARM

CUTLASS SINGLE ARM



# SABRE SINGLE & DOUBLE ARMS

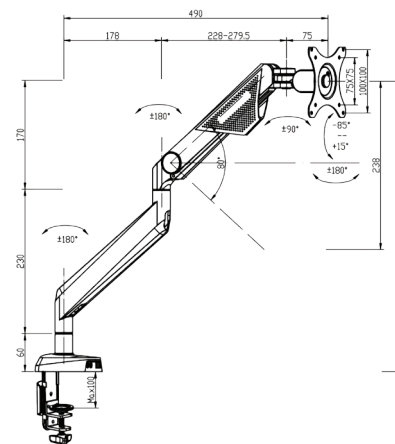
## Design meets function

Incorporating an innovative mechanical spring which can be adjusted to a wide weight range, the Sabre arms are as clever as they are stylish. A polished aluminium finish, concealed adjustment tool storage, twin USB ports and thoughtfully designed cable covers speak of a sophisticated understanding of the intersection of design and function. The choice of supervisors and managers who can see the difference.



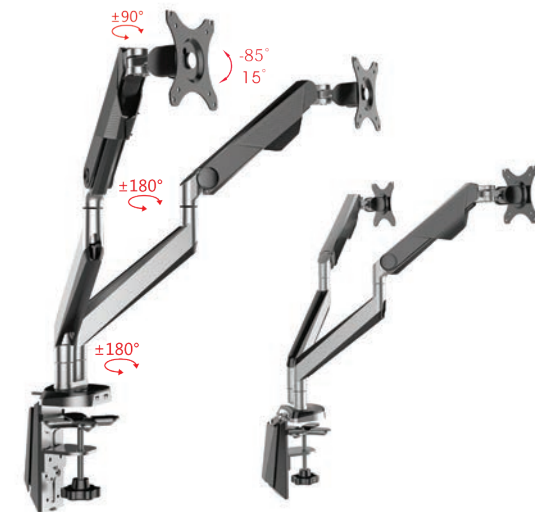
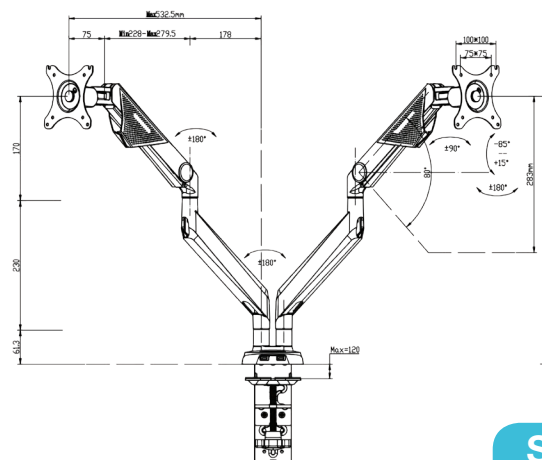
## Features:

- Made of aircraft aluminium.
- With innovative mechanical spring inside.
- 360° free switch between portrait and landscape orientation.
- Double USB ports.
- Support monitor up to 30".
- Sleek and streamlined appearance perfectly complements any contemporary workstation.
- Both a clamp and grommet mount are included in the box.
- Tablet and laptop mounts also available.
- Counterbalanced height adjustable spring arm.
- Adjusting tool storage hidden design (provides convenience and helps to avoid tools being misplaced)
- 10 year warranty.



 VESA 100x100	 Each 2-9kg	 SCREEN SIZE 17"-30"	 ADJUST -85° ±15°
--	--	---	---

## SABRE SINGLE ARM



## SABRE DOUBLE ARM

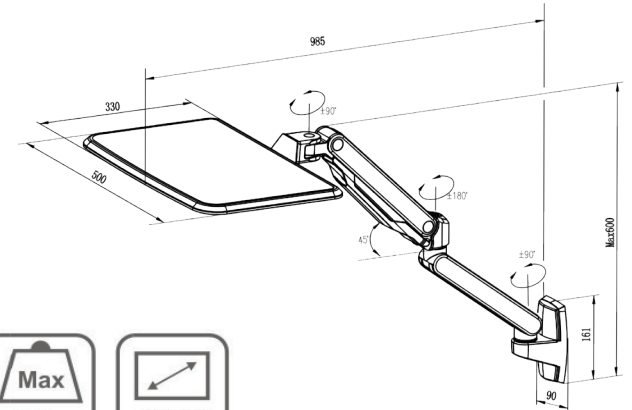
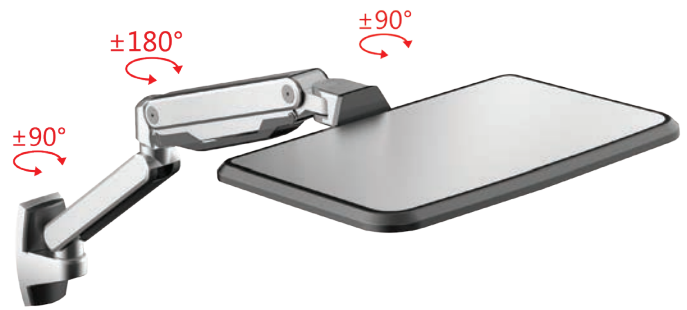


# CLAYMORE CLAMP & WALL-MOUNT ARMS

## The multi-use platform arm

The platform arm can mount any kind of technology on a base to a stable and flexible working platform. The wall-mount version has almost limitless applications because it does away with the need for a desk. It can be mounted at any height to a solid wall and provides a compact height adjusting work platform wherever you need it. Think coffee shops, libraries, nurses' stations and touchdown work areas with a stool or chair which makes the Claymore arms handy almost anywhere.

Talk to us about what height to mount the arms for your users to set up an inexpensive and compact sit-stand work platform.

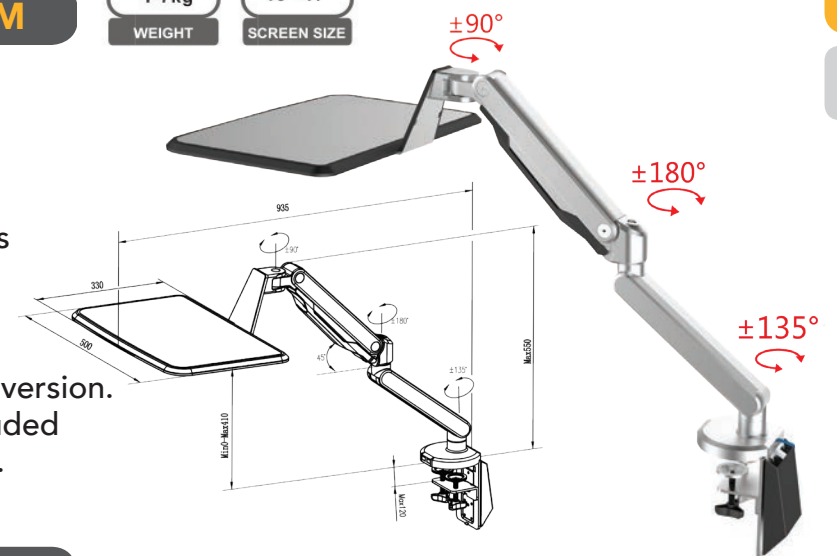


<b>Max</b> 1-7kg	<b>10"-17"</b>
WEIGHT	SCREEN SIZE

## CLAYMORE WALL MOUNT ARM

### Features:

- Made of aircraft aluminium.
- Simple and stylish modeling.
- Keyboard tray foldable design permits more working space when needed.
- 360° free switch between portrait and landscape orientation.
- Double USB ports for the desk clamp version.
- Both a clamp and wall mount are included in the box for the desk clamp version.
- 10 year warranty.



## CLAYMORE CLAMP ARM



## STANDFIRM KEYBOARD PLATFORM



### Specifications:

**MATERIAL:** Steel & MDF  
**DIMENSION (MDF) :** L721x W277.8 x H10mm  
**UP :** 241mm  
**DOWN :** 127mm  
**TOTAL :** 368.3mm  
**HEIGHT SET BY :** Lift and release  
**TILT SET BY :** Ratchet handle  
**REAR SWIVEL :** 360 Degrees  
**FULLY RETRACTABLE :** Yes, 23" Track included  
**COLOUR :** Black  
**CODE:** AWKBSTFBK



The new **Standfirm** keyboard platform could be the simplest and most effective sit/stand solution you have ever tried. Standfirm simply attaches to the underside of almost any desk and upgrades your existing desk into a true ergonomic work space. By separately adjusting monitor and keyboard positions you are able to get into a comfortable, healthy and ergonomically correct position which is ideally suited just for you.

The revolutionary design is ideal for both above & below desk height adjustment. It can simultaneously correct a too high desk position while seated and then quickly adjust above desk level to provide the option of standing while keying. It provides a firm secure typing surface which will not bounce and jiggle as combined monitor and keyboard arms do. It also allows separate adjustments to optimise your best posture and deliver the health benefits of changing working positions throughout the day.

Talk to our certified ergonomics specialists to see if the Standfirm is the right sit/stand solution for you.

### Features:

- Height Adjustment: 7 Inches Up, 5.5 Inches Down.
- Lift and Release Adjustment.
- Tilt Set Positive 10 Degrees to Negative 20 Degrees.
- 360 Degree Swivel.
- Fully Retractable , 23 InchTrack.
- Made of Black Powder Steel.

### Keyboard Tray Features

- 1/4 Inch thin phenolic allows complete knee clearance.
- Tilt & swivel mouse surface w/gel pad provides infinite adjustment.
- Gel palm rest (removable) for maximum ergonomic comfort.
- Adjustable mouse catcher with cord manager.
- Mouse platform easily mounts right or left -8.5 Inch diameter.
- Keyboard Tray Dimension 19.5 Inches x 11.5 Inches.



# LAPTOP PLATE

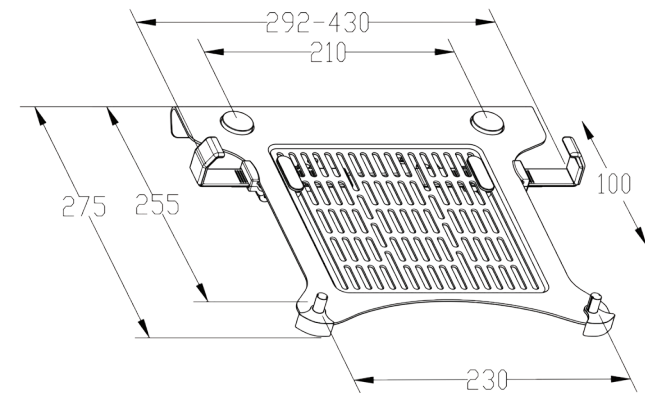
The Sword Laptop Plate can be connected to the Sword Series arms (only Gladius, Cutlass and Sabre arms) to provide complete adjustability and ergonomics. The plate can also be used to mount a tablet or other compact devices onto the arm.






CODE: AEMLPTRY

## Features:

- Attach to your Sword series arm (only Gladius, Cutlass and Sabre arms) with simple toggle clips (included)
- Non-slip gripper dots securely position your laptop or tablet in place
- Expandable side grippers securely fasten your laptop in place, while retaining access to power and USB ports. Expandable from 292mm to 430 mm wide
- Breathable design to circulate air and keep your device running cool
- When mounted to the arm the plate allows height and tilt adjustability, allowing you to get into the most comfortable and productive working posture.
- 10 year warranty



## Sword Series Monitor Arms

Name	Image	Main Feature	Colour	Monitor Weight capacity range	Max Monitor size	Height Adjustment Method	Height Adjustment Range (to centre of head)	Max arm reach	Base Rotation range	Head Tilt Range	Head Rotation range	Elbow rotation range	Monitor Mount Method	Desk Mount options	Min / Max Desk Thickness	Cable Ducting
Gladius Single Arm		Low cost gas lift arm	Black (or white on application)	2 to 9 kgs	30 inch	Gas lift	90mm to 400 mm	510mm	" + or - 135 degrees	" -85 to + 15 degrees	" + or - 90 degrees	" + 180 degrees	VESA 100mm and 75mm	Clamp or thru-desk (both options are in the box)	Zero to 100 mm	Internal in upper arm
Gladius Double Arm		Low cost gas lift arm	Black (or white on application)	2 to 9 kgs	30 inch	Gas lift	90mm to 400 mm	510mm	" + or - 135 degrees	" -85 to + 15 degrees	" + or - 90 degrees	" + 180 degrees	VESA 100mm and 75mm	Clamp or thru-desk (both options are in the box)	Zero to 100 mm	Internal in upper arm
Cutlass Single Arm		Economy with USB ports	White with black trims	2 to 9 kgs	30 inch	Gas lift	115mm to 443mm	490mm	" + or - 135 degrees	" -85 to + 15 degrees	" + or - 90 degrees	" + 180 degrees	VESA 100mm and 75mm	Clamp or thru-desk (both options are in the box)	Zero to 100 mm	Internal in upper and lower arm
Cutlass Double Arm		Economy with USB ports	White and black trims	2 to 9 kgs	30 inch	Gas lift	110mm to 438mm	490mm	" + or - 135 degrees	" -85 to + 15 degrees	" + or - 90 degrees	" + 180 degrees	VESA 100mm and 75mm	Clamp or thru-desk (both options are in the box)	Zero to 120 mm	Internal in upper and lower arm
Sabre Single Arm		Sleek streamlined styling dual USB ports	Silver	2 to 9 kgs	30 inch	Mechanical spring with tool storage	222mm to 460mm	490mm	" + or - 135 degrees	" -85 to + 15 degrees	" + or - 90 degrees	" + 180 degrees	VESA 100mm and 75mm	Clamp or thru-desk (both options are in the box)	Zero to 120 mm	Internal in upper and lower arm
Sabre Double Arm		Sleek streamlined styling dual USB ports	Silver	2 to 9 kgs	30 inch	Mechanical spring with tool storage	222mm to 460mm	532mm	" + or - 135 degrees	" -85 to + 15 degrees	" + or - 90 degrees	" + 180 degrees	VESA 100mm and 75mm	Clamp or thru-desk (both options are in the box)	Zero to 120 mm	Internal in upper and lower arm
Rapier Single Arm		Modern angular styling, switch portrait to landscape with A/V ports and USB ports.	Silver	2 to 9 kgs	30 inch	Gas lift	170mm to 500mm	550mm	" + or - 135 degrees	" -90 to + 15 degrees	" + or - 90 degrees	" + 180 degrees	VESA 100mm and 75mm	Clamp or thru-desk (both options are in the box)	Zero to 120 mm	Internal in upper and lower arm
Rapier Double Arm		Single arm saves space with A/V ports and USB ports.	Silver	2 to 8 kgs total	30 inch	Gas lift	240mm to 540mm	595mm	" + or - 135 degrees	" -55 to + 35 degrees	" + or - 90 degrees	" + 180 degrees	VESA 100mm and 75mm	Clamp or thru-desk (both options are in the box)	Zero to 120 mm	Internal in upper and lower arm
Rapier Laptop Arm		Extra height range with pole. with A/V ports and USB ports.	Silver	1 to 4 kgs	17.3 inch Laptop	Gas lift + pole	355mm to 515mm	570mm	" + or - 135 degrees	" -85 to + 15 degrees	" + or - 90 degrees	" + 180 degrees	Laptop clamp 292mm to 430mm	Clamp or thru-desk (both options are in the box)	Zero to 120 mm	Internal in upper and lower arm
Claymore Platform Arm Desk mount		Platform type mount, Sit-stand height range	Silver	1 to 7 kgs	any that fit on the platform 500mm W x 330mm D	Gas lift	0 to 410mm to platform height	920mm to front	" + or - 135 degrees	N/A	" + or - 90 degrees	" + 180 degrees	Platform	Clamp or thru-desk (both options are in the box)	Zero to 120 mm	Internal in upper and lower arm
Claymore Platform Arm Wall mount		Platform type mount, wall mounted space saver	Silver	1 to 7 kgs	any that fit on the platform 500mm W x 330mm D	Gas lift	410mm to platform height	985mm to front	" + or - 135 degrees	N/A	" + or - 90 degrees	" + 180 degrees	Platform	Clamp or thru-desk (both options are in the box)	N/A	Internal in upper and lower arm



# SWORD SERIES MONITOR ARMS

Gladius Single Arm



Gladius Double Arm



Cutlass Single Arm



Cutlass Double Arm



Rapier Single Arm



Rapier Double Arm



Sabre Single Arm



Sabre Double Arm



Sabre Laptop Arm



Claymore Wall-Mount Arm



Claymore Desk Arm



Standfirm Arm



Laptop Plate



**SYLEX**  
ERGONOMICS

WWW.SYLEX.COM

The latest & best in ergonomics & function

## NSW

A | 4-6 Bentley Street,  
Wetherill Park,  
NSW 2164

P | 02 9756 4988

F | 02 9756 4991

E | info@sylex.com

## VIC

A | 2/37-41 Hallam  
South Road,  
Hallam VIC 3803

P | 03 9587 8628

F | 03 9587 8691

E | vic2sales@sylex.com

## QLD

A | 4/272 Lavarack  
Avenue, Eagle  
Farm QLD 4009

P | 07 3260 2060

F | 07 3260 2070

E | john@sylex.com

## WA

A | 3 Pusey Road,  
Jandakot, WA 6164

P | 08 9417 4007

F | 08 9417 4009

E | wa1sales@sylex.com

## NZ

A | 15/180 Montgomerie  
Road, Airport Oaks,  
Auckland 2154

P | (+64) 9 273 0147

F | (+64) 9 273 0145

E | admin@sylex.co.nz