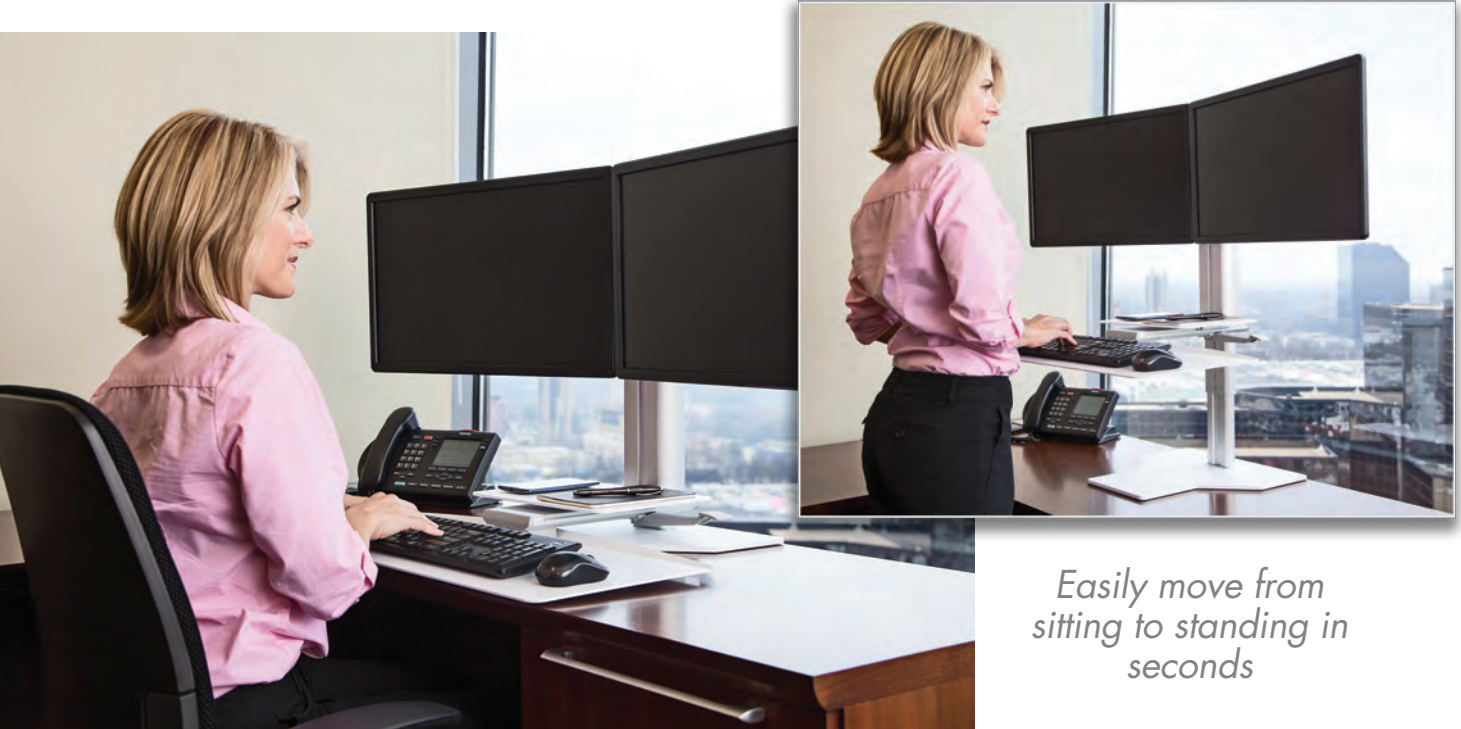


UPRITE™ ERGO

By Sylex Ergonomics

SYLEX
ergonomics

SIT2STAND



*Easily move from
sitting to standing in
seconds*

SIT2STAND WORKSTATION

Convert an existing desk or table into a high-quality and affordable sit to stand workstation and effortlessly go from sitting to standing in seconds. Transform your existing workspace to a **Sit2Stand Workstation** and immediately benefit from motion and mobility in the work place.



Slide in / slide out work surface for note-taking, additional storage and desktop organization.

- Assembles in minutes
- No special tools needed
- Single and dual monitor options
- Stylish color combinations
- 10 year warranty



Easy to slide on the desktop, allowing easy transition between workstation & conventional desk.

www.sylex.com



Features

- 18" (45.7 cm) of vertical height adjustment to accommodate the majority of individuals heights.
- Small footprint that can slide effortlessly out of the way to free up desk space.
- 27.5" (69.9 cm) keyboard tray allows space for full size keyboard and mouse.
- Slide in / slide out work surface for additional workspace and storage.
- Convenient rear cable management clips in column and crossbar keep cables organized and out of view (shown above).
- Single action quick release adjustment from sitting to standing.
- Locking actuator maintains the unit firmly in position at any height.
- Telescoping upright column promotes a low profile unit in the seated position.
- Durable anodized and powder coated aluminum and steel surfaces (over 95% of components are recyclable).

Single and Dual Monitor Options.

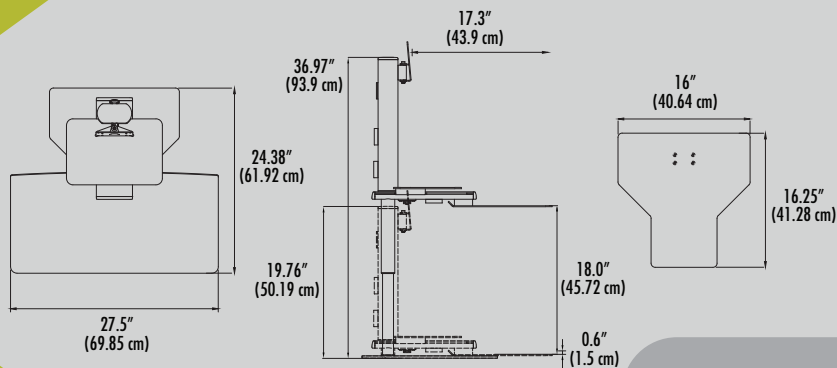


Available in silver/white or black/black.

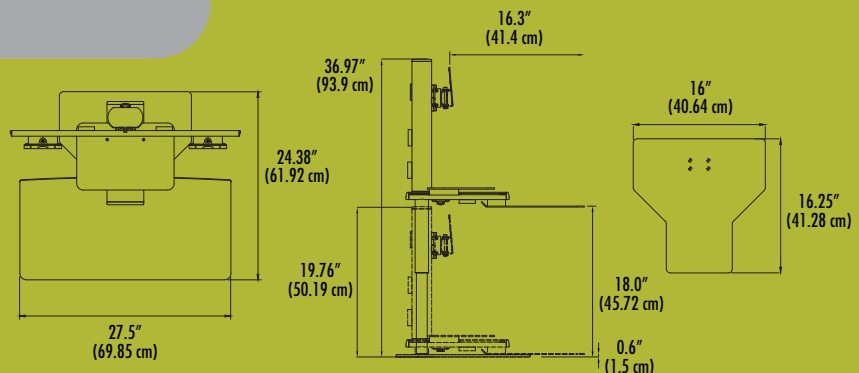
SINGLE MONITOR DIMENSIONS

Specifications

- Vertical Height Adjustment - 18"
- Monitor mounting – VESA 75mm and 100mm (optional monitor stand)
- Monitor capacity:
 - Standard – 3.5lbs to 11lbs (1.6kg to 5kg)
 - Dual – 6.5lbs to 21lbs (3kg to 9.5kg) total
 - Other capacities available upon request.



DUAL MONITOR DIMENSIONS



UPRITE ERGO™

SYLEX
ergonomics

www.sylex.com

NSW Head Office

A | 4-6 Bentley Street,
Wetherill Park,
NSW 2164
P | 02 9756 4988
F | 02 9756 4991

VIC

A | 2/37-41 Hallam
South Road,
Hallam VIC 3803
P | 03 9587 8628
F | 03 9587 8691

QLD

A | 4/272 Lavarack Avenue,
Eagle Farm QLD 4009
P | 07 3260 2060
F | 07 3260 2070

WA

A | 3 Pusey Road,
Jandakot, WA 6164
P | 08 9417 4007
F | 08 9417 4009

NZ

A | Unit 15/ 180 Montgomerie Road,
Airport Oaks, Auckland 2154
P | (+64) 9 273 0147
F | (+64) 9 273 0145