



**COYOTE
SWAP**

FAT FENDER GARAGE

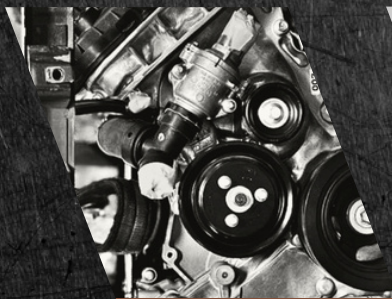
**VEHICLE
CUSTOMISATION SHOP**



INSTRUCTION MANUAL

DOME LIGHTS

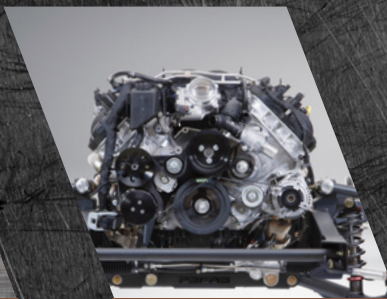
F100 1953-56, F100 1964-72, F100 1973-79,
GMC/CHEVY 1973-84



COYOTE ENGINE
SWAP



VEHICLE
RESTORATION



PREMIER CLASSIC
TRUCK CHASSIS



Contact US
480 - 621 - 6072



www.fatfender.com



**COYOTE
SWAP**

FAT FENDER GARAGE



TABLE OF CONTENTS

3-6 ----- **Spec Sheets**

3 -----	F100 1953-56
4 -----	F100 1964-72
5 -----	F100 1973-79
6 -----	GMC/Chevy 1973-84

7-8 ----- **Instructions**

7 -----	Materials & Videos
8 -----	Instructions

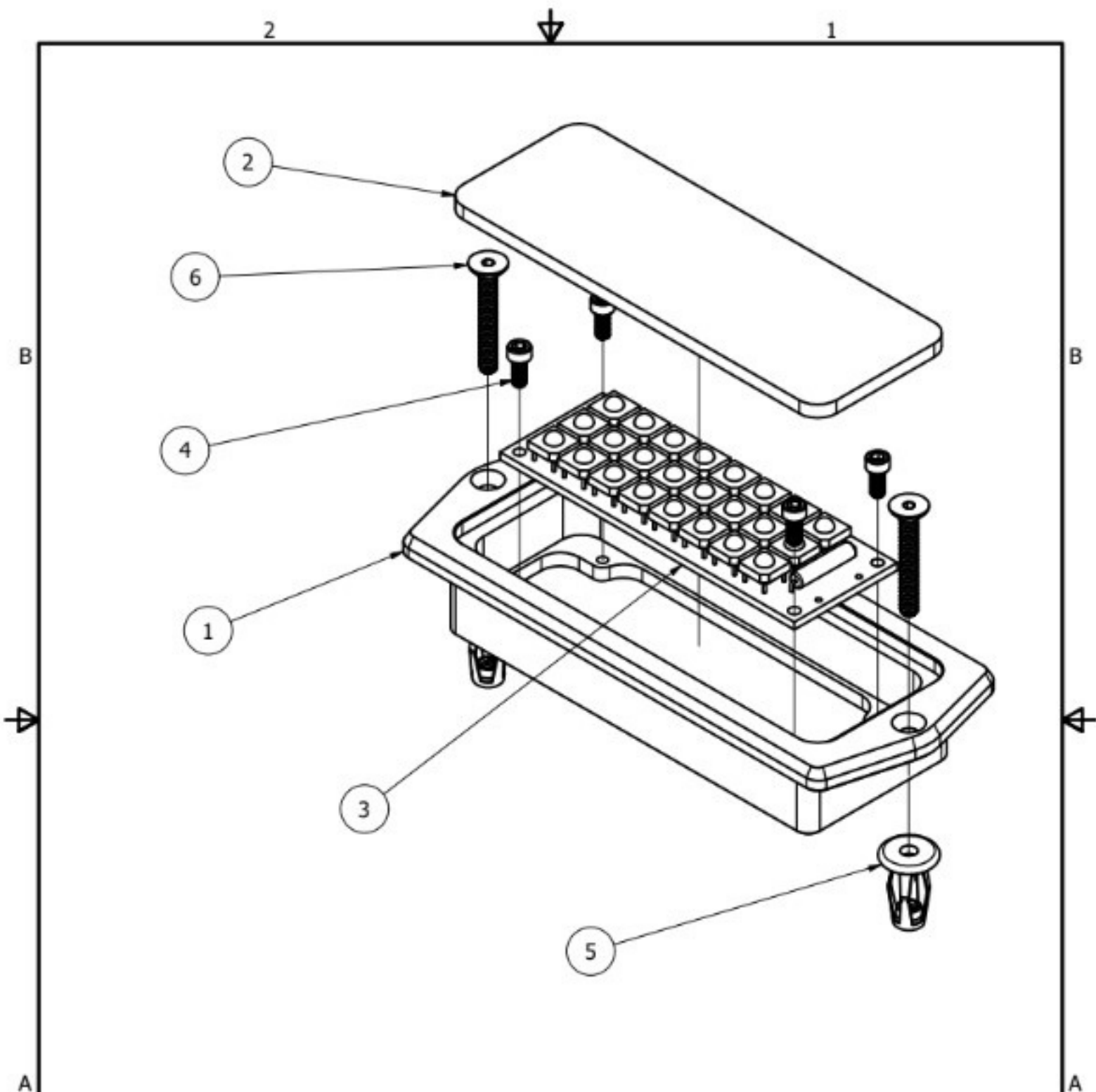


1315 N Marvin Ct,
Phoenix AZ, 85233

Phone:

480 - 621 - 6072

www.fatfender.com

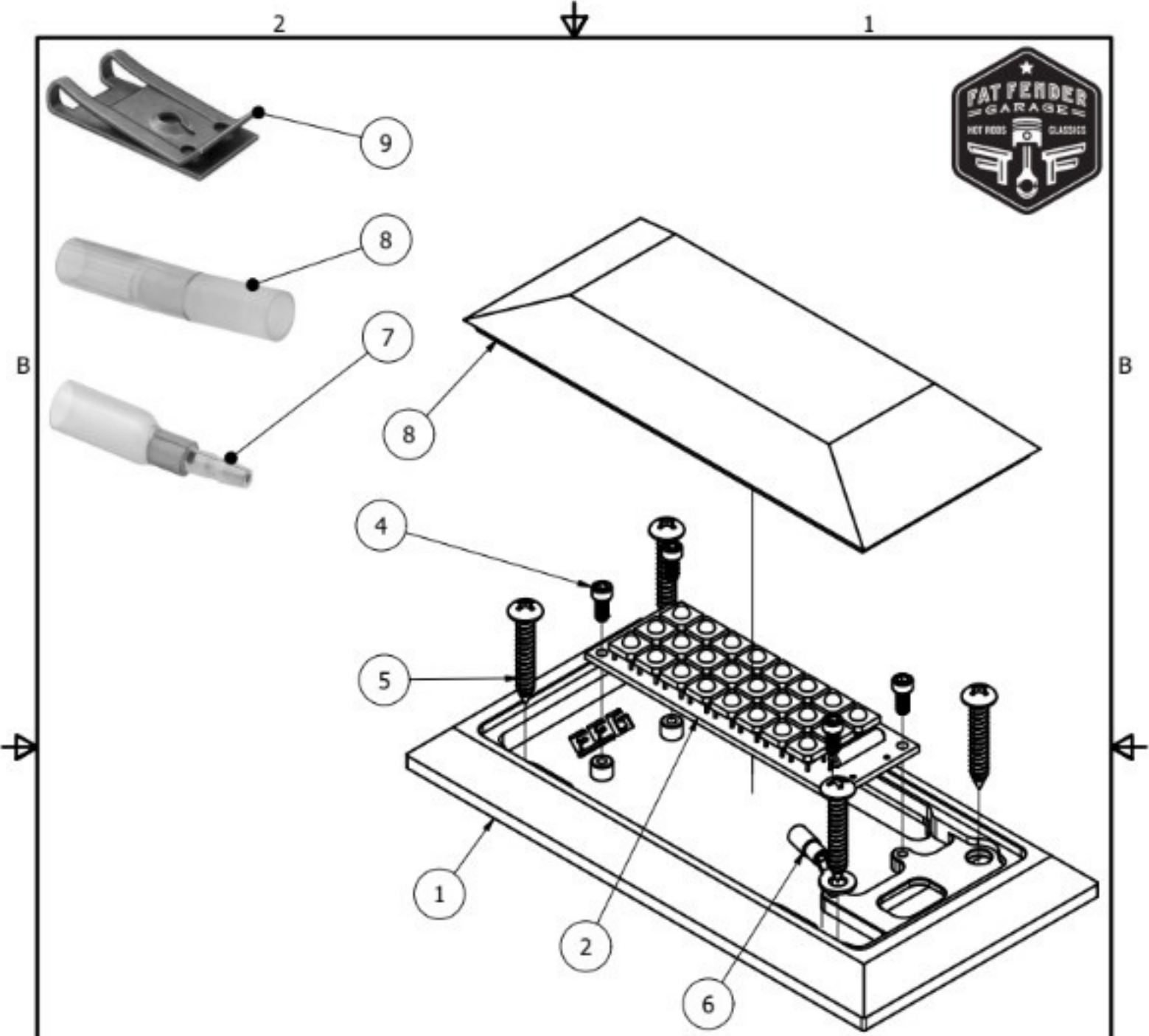


1967-1972 Ford Truck Dome Light

PARTS LIST

ITEM	QTY	PART NUMBER
1	1	67-72 Ford Truck Dome Light Bezel
2	1	67-72 Ford Truck Doem Light Lens
3	1	24 LED Board 12V
4	4	4-40 x 1/4" Socket Cap Screw (91251A106)
5	2	Screw-to-Install Jack Nut (90186A211)
6	2	6-32 x 1" SS Flat Head Screw (92210A153)



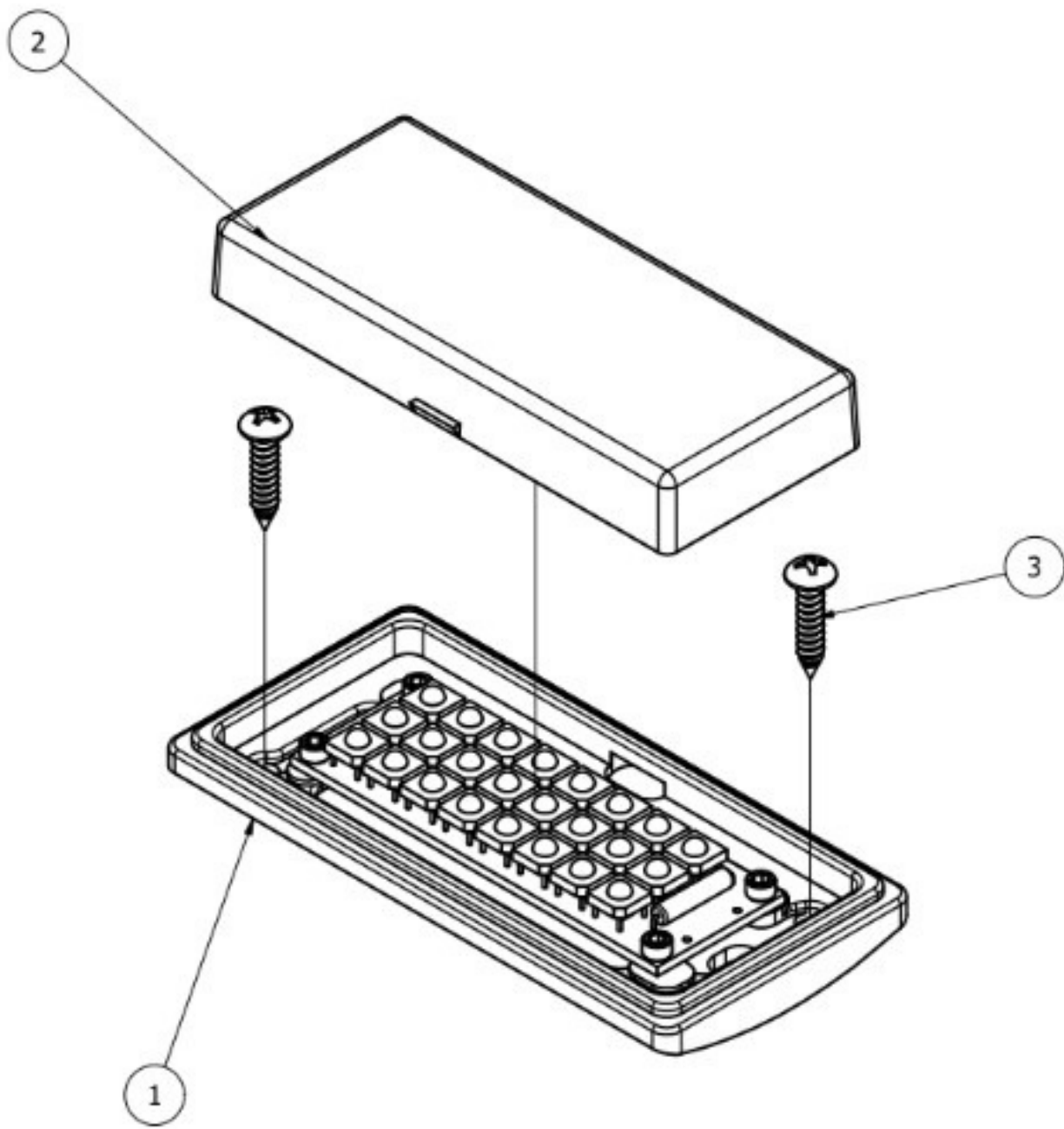


1973-1979 Ford Truck Dome Light

PARTS LIST

ITEM	QTY	PART NUMBER
1	1	73-79 Ford Truck Dome Light Bezel
2	1	24 LED Board 12V
8	1	73-79 Ford Truck Dome Light Lens
4	4	4-40 x 1/4" Socket Head Screw (91251A106)
5	4	#8 x 1" SS Sheet Metal Screw (92470A199)
6	1	Ring Terminal for Ground Wire (7113K731)
7	1	Male Barrel Connector - Power Wire on Light (7835K53)
8	1	Female Barrel Connector - Power Wire in Truck (7835K55)
9	1	U Nut #8 Screw - Tab Ground Down for Best Fit (Auveco 9879)

1973-1984 C10 Truck Interior Dome Light



PARTS LIST

ITEM	QTY	PART NUMBER
1	1	Dome Light Bezel
2	1	Lens
3	2	#8 x 3/4" Sheet Metal Screw

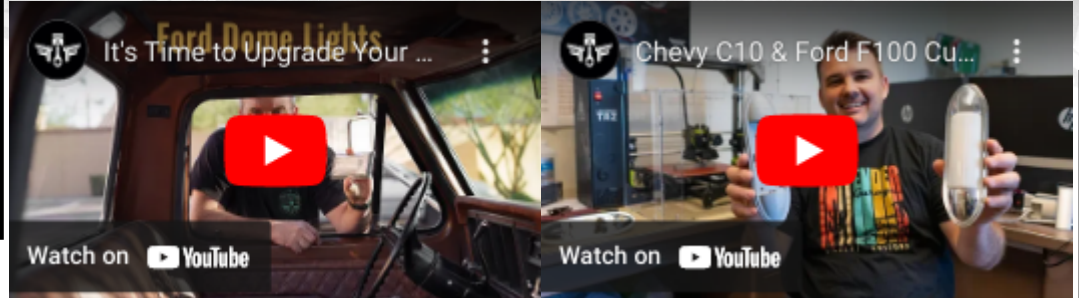


DOMELIGHTS - FORD AND CHEVY

FFG INSTALLATION GUIDE

Package Includes:

- Dome Light
- Hardware



Step 1: Remove and Protect

- Remove the stock tab that the power wire is connected to and cut it off. It is no longer necessary.
- Install the provided U-nut clip where the tab used to be. This will provide you with a 4th hole to screw the housing to.



Step 2: Cut to length

- Strip away a small amount of the insulation around the power wire.
- Crimp the provided female bullet connector to the bare wire as shown.
- Ensure that the connector is covering any bare part of the wire in order to avoid any electrical short.



Step 3: Scuff Window

- Plug the red wire from the light into your power wire in the cab. Push all excess wire back into the cab. Install the light using the four provided #8 x 3/4" sheet metal screws.



For reference, might not be exact model.

Step 4: Apply Glue

- Install the lens on the light housing.
- You should be able to just snap the lens into place.
- Test the dome light to ensure its working properly.



FAT FENDER GARAGE

“ We're always happy to serve you. If you have any suggestions or comments regarding our products and services, please feel free to share them with us. We will be glad to hear from you. We highly value our customers.

-THANK YOU ”



1315 N Marvin Ct,
Phoenix AZ, 85233

Phone:

480 - 621 - 6072

www.fatfender.com