
CUCKOO MICRO
BUBBLE CLEANSER

USER MANUAL

CWS-AO201W

CUCKOO



CUCKOO

Dear CUCKOO family!

Thank you very much for using **CUCKOO Micro Bubble Cleanser**.

Save this user manual for future reference.

This manual will be useful if you have any questions or have problems operating the product.

Advantages of product

- The micro bubbles generated in a Micro Bubble Cleanser wash off various wastes such as fine dust, yellow dust, makeup residues in the pores and, at the same time, remove dead skin cells to make your skin clean.
- It cleanly washes off even the remaining detergent invisible to the naked eye with eco-friendly micro bubbles.
- It filters out suspended solids in tap water for more pleasant cleansing.
- Micro bubbles deliver moisture to the pores to make the skin more moisturized and elastic, which also makes it safe to use.
- The micro bubble water containing much oxygen enables good cleansing.
- The water pressure and the amount of bubbles may be adjusted in a simple manner to be able to use it tailored to the usage environment.
- The product is only operated by water pressure without using electricity so you do not need to worry about electricity bills and may safely use it in bathrooms with much water.
- The dial control produces over 20% water saving effect during usage compared to normal shower heads, and it also boasts excellent cleaning ability, which results in saving of water and water bills.

The product warranty is included in the user manual.

For accurate usage, make sure to read the "user manual" before using the product.

After reading it, store it at a location where those who use the product can access it at all times.

Caution: To use the product without any malfunction for a long period, make sure to read the user manual.

CONTENTS

BEFORE USING	● Advantages of product	2
	Safety precautions	4
	Product composition	5
	Explanation of name and function of each part	6~7
	How to install	8~11
WHEN USING	● How to use	12~16
	How to replace each part	17
BEFORE ASKING FOR SERVICE	● Frequently Asked Questions (FAQ)	18
	Check before asking for service	19
SERVICE GUIDE	● Inquiries on specifications/malfunctions	20

Safety precautions

- Read the following product safety guide carefully to prevent any accidents and/or serious danger.
- "Warning" and "Caution" are different as follows.



Warning

This means that the action it describes may result in death or severe injury.



- This sign is intended to remind and alert that something may cause problems under the certain situation.
- Please read and follow the instruction to avoid any dangerous situations.



Caution

This means that the action it describes may result in injury or property damage.



• Indicates a prohibition



• Indicates an instruction



Warning



Prohibition

This product is for household use only.

- It may not be used in a public bathhouse.
- If used for purposes other than household use, services may not be received according to the contents of the warranty.



Use tap water supply as the source water.

- If industrial water or reclaimed water is used as the source water, it may cause skin damage or disease and/or deterioration in the product's performance.

Do not install it at a location exposed to direct sunlight or near heating equipment.

- It may cause fire, discoloration and/or deformation of the exterior of the product.



Be careful not to drop the Bubble Clean shower head.

- It may cause bodily injury or damage to the product.
- Always hang it on the shower hook for correct use.



Do not exert an excessive force or impact on the product.

- It may cause bodily injury or damage to the product.

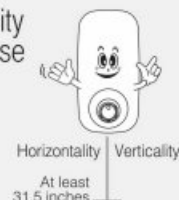


Install it at a water pressure greater than 0.15MPa.

- In an environment with a water pressure below 0.15MPa, not enough amount of bubbles resulting in an inadequate effect.

Maintain horizontality and verticality and do not use it by placing it close to the floor.

- When installing the product, maintain horizontality and verticality.
- Install the product at a distance of 80cm or greater from the floor.



Use it indoors only.

- If used outdoors, the product may be discolored or damaged by freezing in winter.



After installation of the product, check whether there is any water leak.

- A rubber packing must be inserted in the connection part.



After installation of the product, make sure to completely fix the bracket before flowing in the water.

- Otherwise, It may cause damage to the product.

If the filter has been completely discolored or the water pressure lowers, replace with a new filter. (Filter replacement cycle: about 4 months)

- Otherwise, It may cause deterioration in the product's performance.

Do not wipe with or spray benzene, alcohol or thinner.

- It may cause fire and/or discoloration.



Do not use a detergent or soap for cleaning.

- It may have a harmful effect on the plastic product (breaking, deformation, etc.) .

Do not pour hot water during cleaning.

- It may cause deformation and/or malfunction of the product.
- Use lukewarm or cold water at a temperature of 100°F or lower.

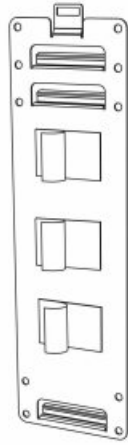
Any arbitrary disassembly and/or remodelling by a user who is not a service technician has a risk of bodily injury and/or malfunction of the product.

If the hose connection is damaged, contact the Customer Service Center for repair before use.

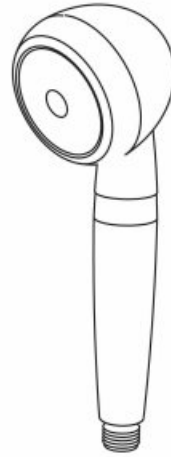
Product composition



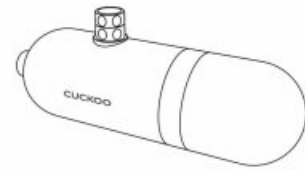
Main body 1ea



Bracket 1ea



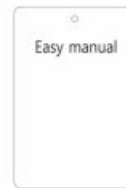
Microbubble shower head 1ea



Clean Filter Case (include 1 Filter)



User manual 1ea



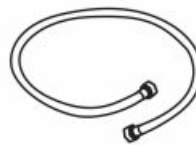
Quick instruction manual



Shower hose 1ea



Drain hose 1ea



Inlet hose 1ea



Silicon for household 1ea

- ※ Check if all components are included.
- ※ The images and pictures including in the instruction manual may vary depending on the composition of the model.
- ※ Specifications of this product may change for product enhancement.
- ※ Refillable filters may be purchased separately.
- ※ Parts can be purchased on the website (www.cuckoorental.com).
- ※ Use of a non-genuine filter may cause deterioration of the product's performance and/or malfunction. (Make sure to use genuine filters.)

Explanation of name and function of each part

Name of Each Part



1 Body of Micro Bubble Cleanser

- ▶ It features a high-efficiency Micro Bubble tank, which is able to create a great amount of micro bubbles by water pressure only without using electricity, and is consisted of an intake, a shower and a drain.

2 Micro Bubble Cleanser handle

- ▶ It is the control part that lets tap water into the Micro Bubble tank and through which the shower and drain can be operated.

3 Bubble Clean shower head

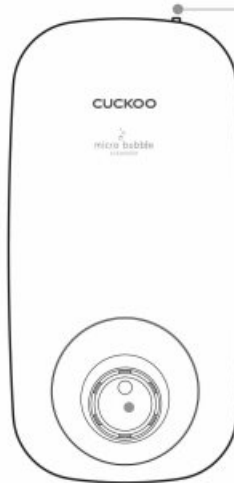
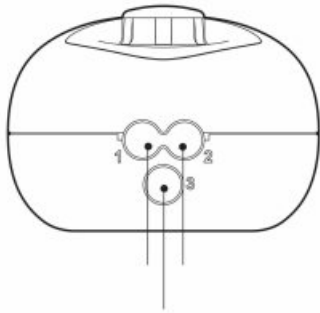
- ▶ It includes a nozzle that generates micro bubbles.

4 Clean filter

- ▶ It filters out suspended matter in tap water.
- ▶ It includes a 1 clean filter.

Explanation of name and function of each part

Body of Micro Bubble Cleanser



Drain button

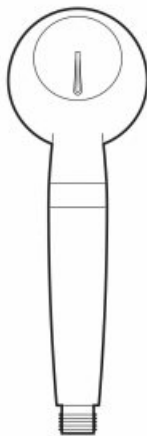
If water inside the body is not drained well, press and hold the drain button at the top of the body for 1 second.

Handle



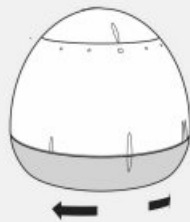
※ Caution: Make sure to return the handle to drain after use to maintain good performance.

Bubble Clean shower head

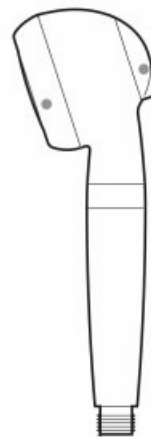


Water pressure control dial

It enables to control the water pressure in 3 steps.



For instructions, see page 14.



Bubble control dial

It enables to control the amount of bubbles in 5 steps.



For instructions, see page 14.

Clean filter

Removal of suspended solids

Clean filter filters out suspended matters.



Filter status check window

The status of the filter can be checked conveniently.

How to install

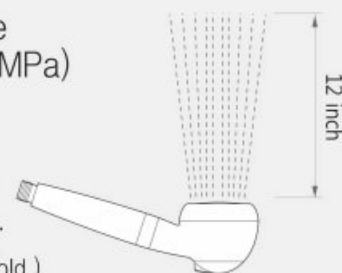
Caution

- When installing the product, align the vertical and horizontal.
- When newly installing or moving the location of the product, make sure to read the instruction manual one more time.
- If products other than the hoses, Bubble Clean shower head and clean filter provided along with this product are used, it will not work effectively and may cause a malfunction.
- After installation, if the boiler (water heater) turns off, hot water may not be properly supplied during usage.
- If the water pressure continues to change when measuring the water pressure, temperature control may not be possible.
- If an instant water heater with a small capacity is used, the amount of water flow generated in the water heater is small so the supply of hot water may not be possible.

- 1** Measure the water pressure of the household before installing the body. (Usable water pressure: 0.15–0.7MPa)

How to measure

1. Measure by connecting a water-pressure gauge to the shower hose.
2. If there is no water-pressure gauge, lower the bubble shower head down to the floor, hold it upside down and turn the water on to check. If the water rises over 12 inch, there will be no problem during usage. (It may vary depending on the plumbing environment in each household.)



Caution

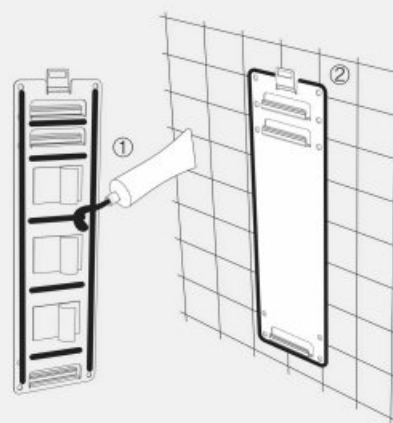
Installation is not recommended at the water pressure of 1.5kgf and flux of 8L/min or less as the product will not be effective under such conditions.

- 2** Cleanly wipe off any foreign materials and moisture on the wall on which the bracket is to be installed.

Peel off the film of the adhesive tape attached on the bracket and apply silicon between the tapes evenly.

Exert a sufficient force to attach the bracket on the wall.

Install it at the height of 31 inch or greater from the floor. Otherwise, the drainage may not work properly.



※ It may be fixed more quickly if a dryer is used to dry it for 2 to 3 minutes after installation.

Caution

Make sure water does not penetrate into the bracket and use it at least 6 hours after the application of the silicon. During usage, be careful not to pull it with excessive force. (Use it in a sufficiently dried state.)

In case silicon cannot be used, it must be installed with a wall anchor.

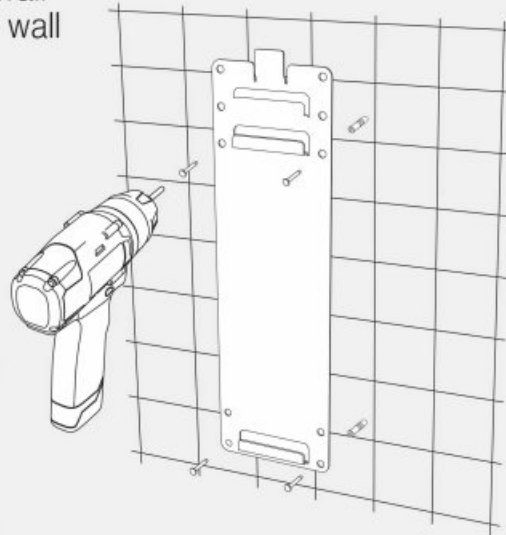
Cases in which silicon cannot be used

- ① In case the surface is uneven and is a decorative tile
- ② In case there is a great amount of oil on the tile surfaces
- ③ In case it is painted
- ④ In case the wallpaper is stuck
- ⑤ In places where the bracket easily falls off even after exerting force to attach it with an adhesive tape

After perforating at a location where the body is to be installed, fix the wall anchor on the wall. After fixing the wall anchor, use screws to attach the bracket on the wall.

For the wall anchor and screws, use around 0.25 inch and 0.15mm, respectively.

Use a drill blade with the diameter of around 0.25 inch to perforate.



* Wall plug (anchor) and screws are not included

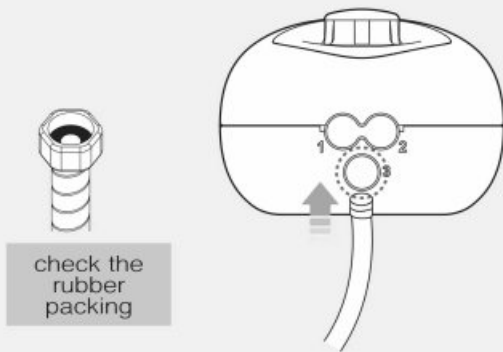


Caution

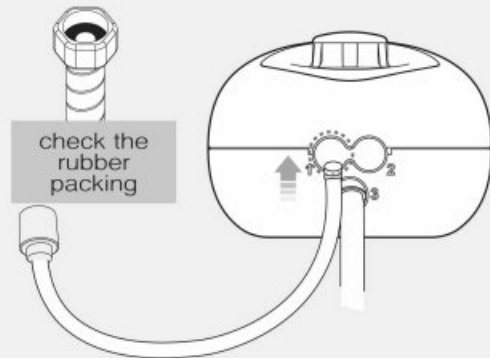
* Avoid perforating near the edges of tiles.

How to install

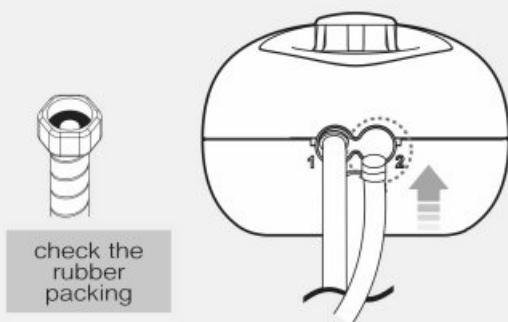
- 3 Put the rubber packing into the ③ **inlet hose**, and connect it to "3" Inlet position at the bottom of the product by spanner.



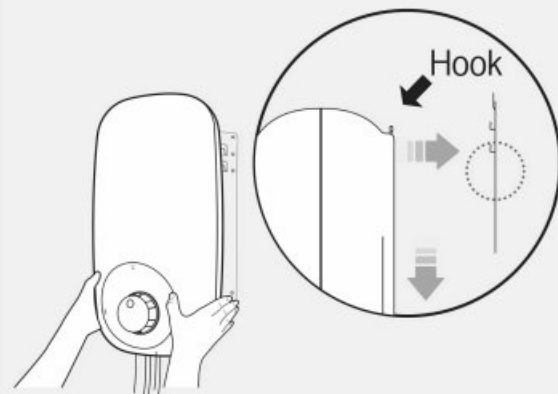
- 4 Put the rubber packing into the ① **drain hose**, and connect it to "1" Drain position at the bottom of the product by spanner.



- 5 Put the rubber packing into the ② **shower hose**, and connect it to "2" Shower position at the bottom of the product by spanner.



- 6 Hook the main body fully connected with three hoses to the bracket on the wall.



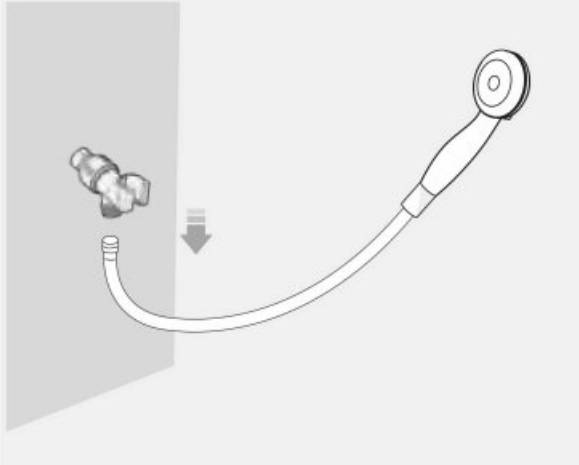
※ The packaging of each hose bears the name of the hose.

- ① Drain hose, ② Shower hose, ③ Inlet hose

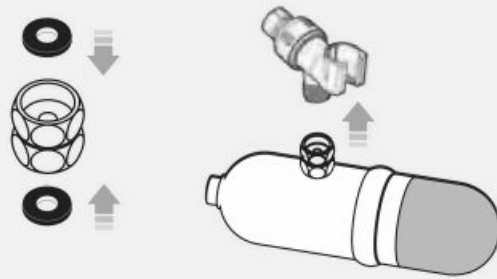
※ After installing the product, make sure to check if the hook at the upper part of the product is hooked on the bracket to be firmly attached.

How to install

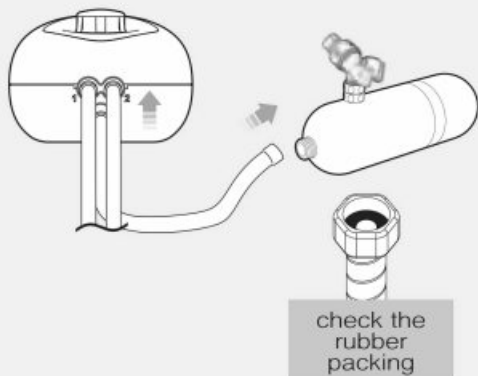
- 7 Disconnect your existing shower head and hose from the faucet.



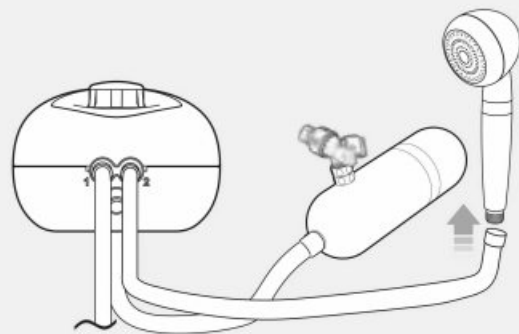
- 8 Connect the filter provided to the faucet as shown.



- 9 Put the rubber packing to the other end of the ③ inlet hose from the main body, and connect it to the filter by spanner.



- 10 Connect the shower head to the other end of the shower hose from the main body, and check the microbubble generation.



- ※ After installation, make sure to check if there is any water leak at the connection part.
- ※ If the clean filter cannot be connected by using a filter adapter due to the type of the faucet, a filter connection hose may be needed.

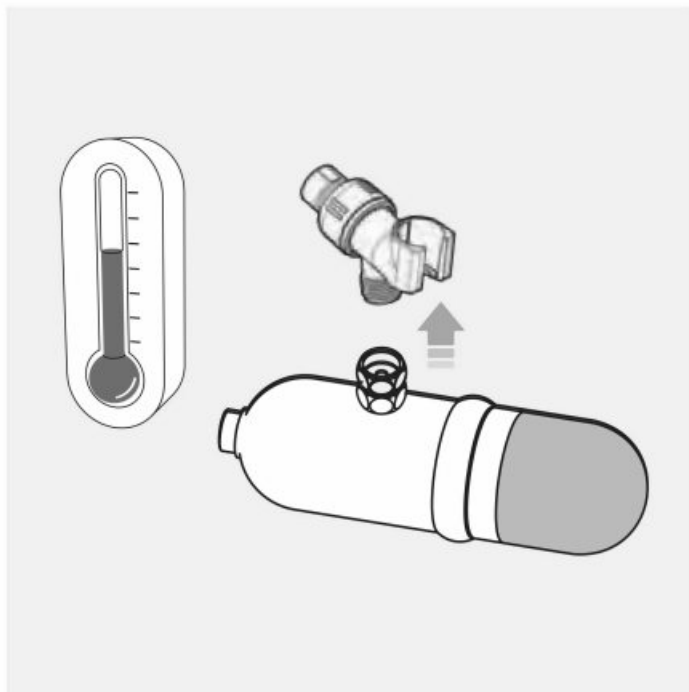


Caution

※ Avoid perforating near the edges of tiles.

How to use

Temperature control

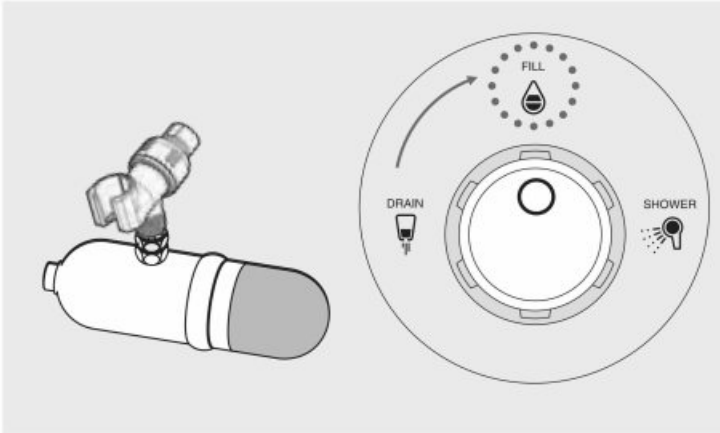


- 1 Open the faucet and check the temperature of the water by hand

 **Warning**

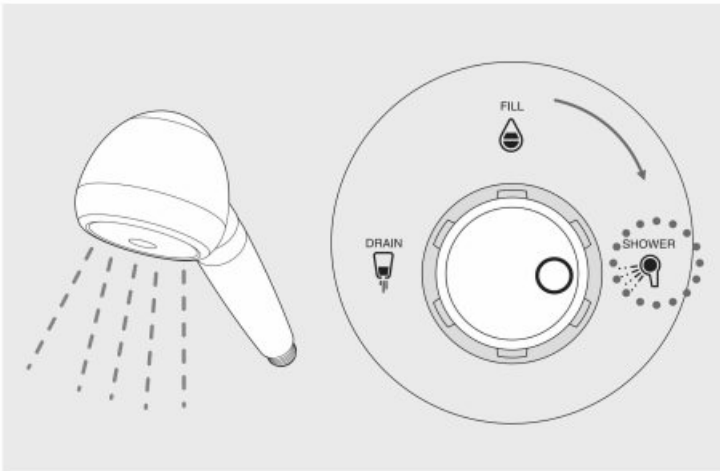
Temperature checking before use is strongly recommended to avoid any uncomfortable temperature changing during the operation.

Flow in

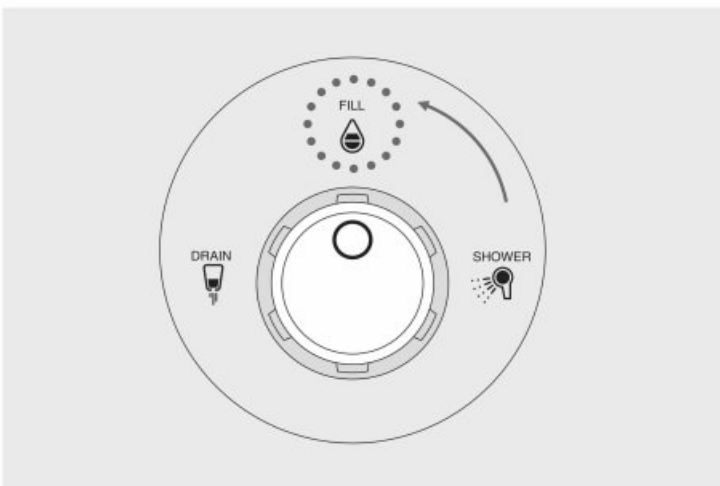


- 2 Turn the handle of the main body to the FILL, and then open the faucet to let flow water into the main body for fill up.

Takes about 10 seconds.



- 3 Turn the handle to the SHOWER after filling up fully for shower.



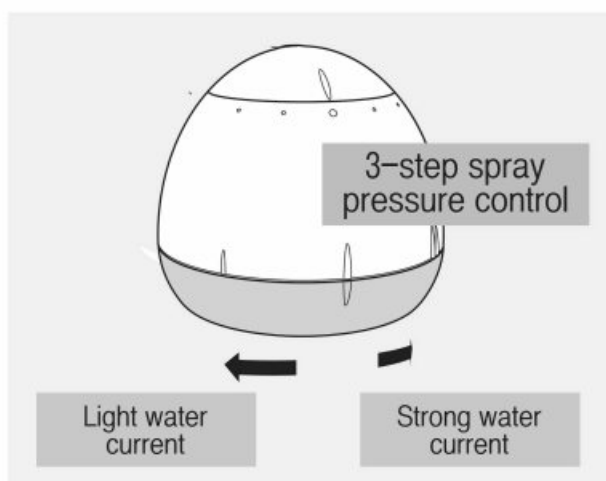
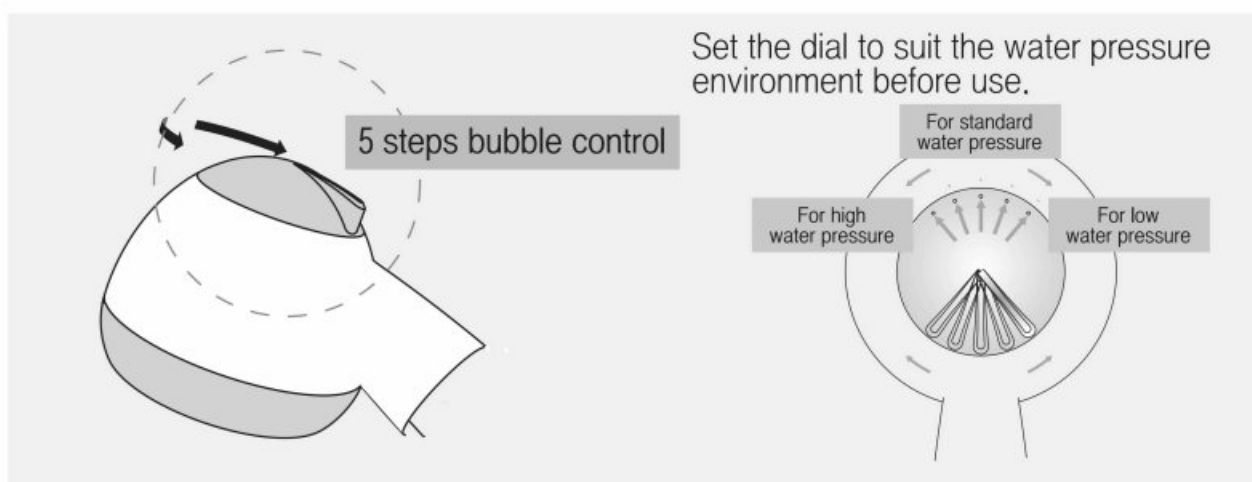
- 4 Turn the handle to the FILL If you want to pause the shower while in use

How to use

Water Pressure / Bubble Control

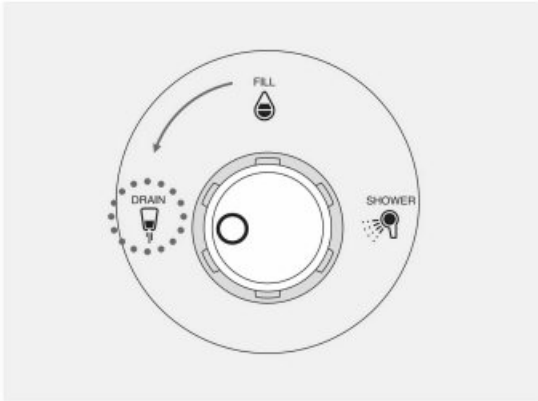
- 5 The microbubble shower head has the bubble control dial to match to every user's water supply environment (dissolved oxygen, temperature, water pressure, water flux) for optimized bubble generation and pressure.

※ Set it to the center position of the dial for optimized bubbles in general.



The bubble control dial can help you to give the optimized bubbles under your own water supply environment like water pressure, dissolved oxygen, etc., so try each steps of dial to get the best performance and set the spray pressure dial on your convenience.

Drain



- 6 Close the faucet and turn the handle to the DRAIN necessarily after finishing the shower, so let water inside of the main body flow out (DRAIN) for ready to shower next time.

After closing the faucet, water comes out from the shower head for seconds as normal operation. This may be used for other good purpose or just drain, or close the faucet in advance.



Press the button for about 1 second to drain in case regular drain process dose not work besides out of order.



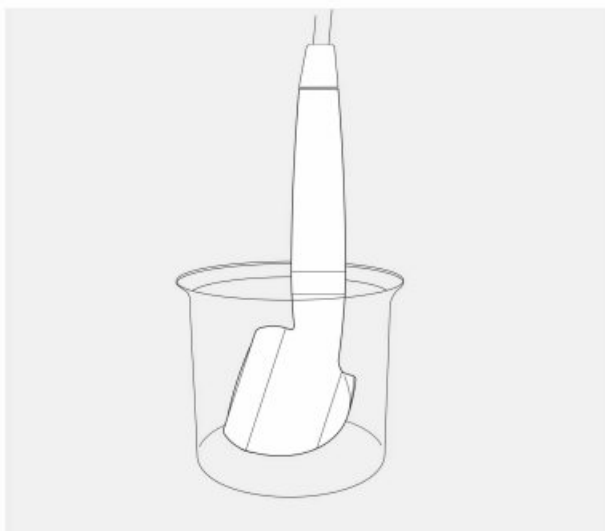
- DRAIN after every showe gives good performance always.

Caution

No drain may cause failure or less microbubble generation due to water inside left over.

How to use

How to check the microbubble water



- Put the shower head fully sink into either the basin or any empty container, and check carefully the milky color while pouring the microbubble water from the system.

Note !

Need to sink the shower head into the water as shown for checking surely.



Tap water from water supply



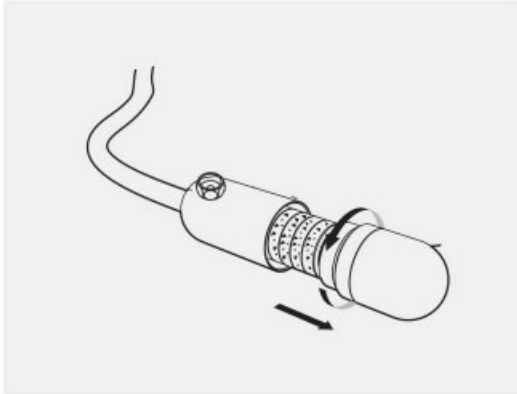
Microbubble water

Note !

As the microbubble water filled up, coin gets invisible as compared in the tap water.

How to replace filter

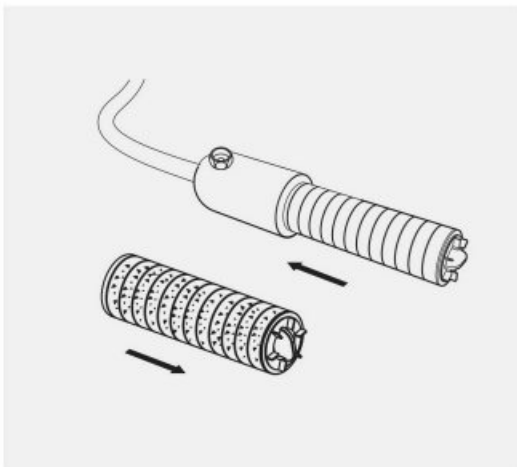
(Replacement cycle: about 4 months – The replacement cycle may change depending on the plumbing and usage environment.)



1 Unscrew filter cap counterclockwise.

! Caution

Make sure to grab the clean filter with one hand to separate the cap. Otherwise The screw part may break.



2 Take out the contaminated filter, and put the new one, then fasten in reverse order

! Caution

Drain FIRST before replacing the filter.

- Wash O-ring of the cap and inside of the filter cleanly before replacing the filter.
- The replacing period may become earlier than recommended due to heavy corrosion in case much rust and sediment in deteriorated plumbing and houses.
- Filter usage for much longer time than recommended until the water pressure down by blocking may cause high pressure burden inside to less pressure for the product operation, and leakage, or damage of filter case or other parts.
- Filter should be replaced either on color changing much or on pressure down which mean filter performance has been degraded. (recommend at every 4 months)

※ The replacing period may become earlier than recommended depends on individual housing condition.

FAQ

▼ Not following this user manual may result in your device not working. Please read the following measures accordingly if you are having problems with your device. If you are still having problems, please contact our Customer Service Centers.

Situations	Checking	Instruction
Water is not clear, but milky color	<ul style="list-style-type: none"> Water contains microbubbles, so they make water looked milky color normally. 	<ul style="list-style-type: none"> NORMAL
Water comes out a little smaller than before using the product	<ul style="list-style-type: none"> Microbubble is generated by water flowing thru the main body and spray nozzle of the shower head, so it becomes smaller a little, but it is normal operation, and saving water. 	<ul style="list-style-type: none"> NORMAL
No water comes out right away	<ul style="list-style-type: none"> Need 5~10 seconds to fill up the tank of the main body before flowing out from the showerhead normally. 	<ul style="list-style-type: none"> NORMAL
No milky color water comes out	<ul style="list-style-type: none"> Follow #6 steps (drain) of the section 4, "How to use" given in the manual and then operate from #1 step again. 	<ul style="list-style-type: none"> Please contact Customer Service Center. (888-700-0425)
Either no water out or decreased much	<ul style="list-style-type: none"> Check if no water supply from the faucet / frozen plumbing / the faucet closing / wrong handle position of the main body 	<ul style="list-style-type: none"> Please contact Customer Service Center. (888-700-0425)
No water comes gradually over time	<ul style="list-style-type: none"> Check if too late replacing of the cling filter 	<ul style="list-style-type: none"> Please contact Customer Service Center. (888-700-0425)
No drain water comes	<ul style="list-style-type: none"> Check if wrong handle position of the main body / Press the Drain button on top of the main body for about 1 second 	<ul style="list-style-type: none"> Please contact Customer Service Center. (888-700-0425)
Rust comes	<ul style="list-style-type: none"> Check if too late replacing of the cling filter 	<ul style="list-style-type: none"> Please contact Customer Service Center. (888-700-0425)
In case water leaks from the connection hose or the body	<ul style="list-style-type: none"> Check connection hose separation 	<ul style="list-style-type: none"> Reconnect the connection hose. Please contact the Customer Service Center if the problem occurs frequently.

Check before requesting service

▼ Not following this user manual may result in your device not working. Please read the following measures accordingly if you are having problems with your device. If you are still having problems, please contact our Customer Service Centers.

Questions	Answers
Why water color becomes clear over time from milky color?	<ul style="list-style-type: none"> • Microbubble water becomes clear over time. But super fine bubbles are still inside while invisible. • They work continuously and effects are available.
Does bubble effect depend on water temperature?	<ul style="list-style-type: none"> • Mostly same on cold / hot water for microbubble generation. • However, it may be degraded lower than required pressure and water flux.
Does the inside of the main body become corrodible?	<ul style="list-style-type: none"> • Nothing worried about slime in normal operation, but it may be caused on no drain long time. • Keep drain by the handle after finishing the shower.
Is it bad when water infiltrate into the main body?	<ul style="list-style-type: none"> • It is not happened usually, but even in the case, it works safely as this does not use electricity. • However, we recommend waching the machine after 2~3 days after installation when it uses silicon.
What is the difference from the water softener?	<ul style="list-style-type: none"> • The water softener just softens the water chemically and electrically. So it is quite different in technical theory with microbubble machine. • Microbubble generated just from the tap water can cleanse skin excellently and moisturized. • Microbubble effects are more than the tap water on excellent skin cleaning, moisturizing, relief from itching, relaxing with anions, and much more.

Product Specification

Product Name	Cuckoo Microbubble cleanser
Model Name	CWS-AO201W
Product Dimension	208.6 mm(L) x 425.6mm(H) x 150.9mm(W)
Product Weight	EMPTY : 1.8 kg / Full : 3.8kg
Product capacity	Bubble tank capacity 1.9L
Microbubble Size	Less than 50 μ m
Microbubble Time	About 20 min @ every operation (More or less by water supply condition)
Operation Temperature	2~70 °C
Required water pressure	0.15 ~ 0.7MPa
Shower flux	6~10L/min
inflow Time	Less than 10 seconds
Drain Time	Less than 30 seconds

- ※ For performance enhancement of the product, the contents expressed in this instruction manual (exterior appearance, design and specifications) may change without prior notice.
- ※ Depending on the water quality and water pressure at each household, the possible period of usage, flux, and the amount of micro bubbles may vary.
- ※ If parts other than those included in the product are used, we cannot guarantee regarding the product's performance and we do not bear responsibility for any issue that occur in relation to this.
- ※ There may be slightly differences in Cuckoo Micro Bubble Cleansers' bubble generation time, drainage time and water inflow time depending on the water pressure and temperature.

Inquiry for malfunction

A product that has been used for a long period may lead to a malfunction as its parts are deteriorated due to the effect of heat, humidity and/or dust.

If any of the above symptoms occurs,

- ❶ If an issue other than the symptoms corresponding to "Check before asking for service" (p. 19) occurs
- ❷ If any other abnormality or malfunction occurs



**Stop the use immediately and make sure to contact the Customer Service Center.
(888-700-0425)**

MEMO

CUCKOO

Customer Service Center | 888-700-0425

www.cuckoorental.com
www.cuckooamerica.com

- ※ Please inform us with the exact product model name, state of malfunction and contact information for us to ensure timely consultation and quick service for any consumers' complaints, proposals and suggestions at all times.
- After reading it, store it at a location where those who use the product can access it at all times.
- Caution: To ensure the product can be used for a long time without any issues, be sure to read the instruction manual.

Z0383-0115A0 Rev.0