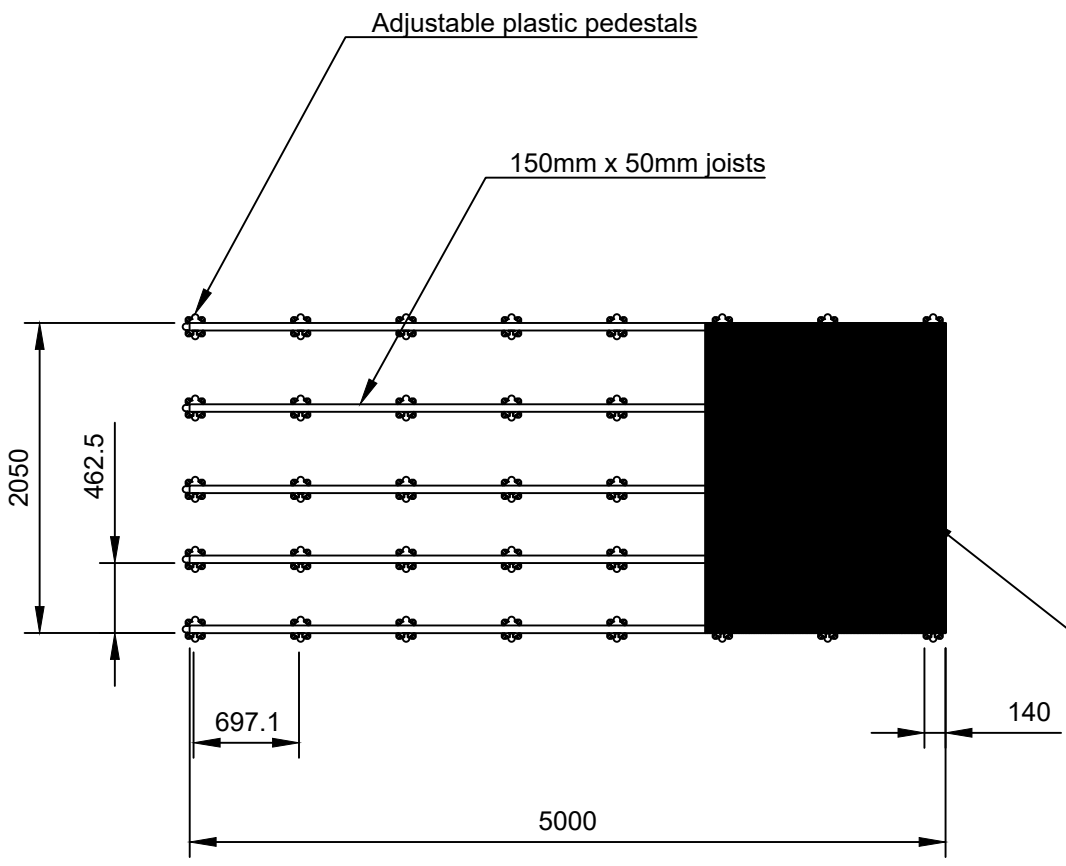
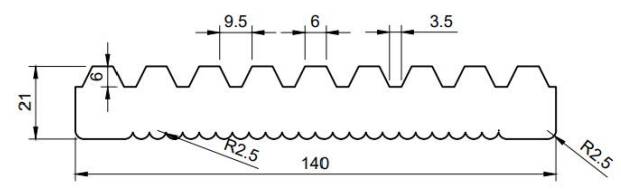
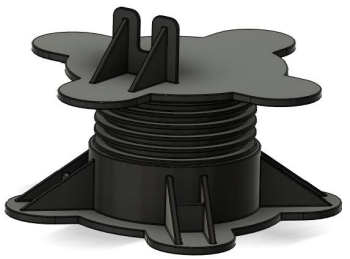


Balau - Grooved Profile



Installed with a 5mm gap between each row of boards to allow surface run off after rainfall. Boards to be fixed with stainless steel screws at the bottom of the castellations. Two screws per board per joist.



Adjustable plastic pedestals 35-55mm base unit. Compatible with 20 and 40mm height adjusters to achieve heights of up to 295mm. Pedestals can be adjusted for use on surfaces which have varying heights to create a level deck / deck with slight fall for drainage.

**Gripsure Yellow Balau**  
 21x140 Yellow Balau  
 Grooved profile with two grey non-slip inserts  
 FSC certified sustainable timber

**Standards**  
 Class 1 durability against BS EN 350:2016  
 PTV of 85 against UKSRG guidelines using Stanley Pendulum test BS 7976-1:2002+A1:2013  
 TDCA Deckmark Plus accredited



Created by <b>Sam Baynham</b>	06/02/2021	Approved by <b>Mike Nicholson</b>
Document type <b>Drawing dimensions in mm</b>	Document status <b>Final revision</b>	
Title <b>Gripsure Yellow Balau, Grooved Profile</b>	Contact Tel: 01726 844616 info@gripsure.co.uk www.gripsure.co.uk	
Installed on Timber Joists and Pedestals	Rev. <b>1</b>	Date of issue <b>06/02/2021</b> Sheet <b>1/1</b>