

Instruction Manual

Glass Top Chest Freezers

This manual contains important information about your new unit.
Please read this manual carefully before set-up,
operation and maintenance.

WARNINGS

- Plug into a grounded 3-prong outlet, do not remove grounding prong, do not use an adapter, and do not use an extension cord.
- It is recommended that a separate circuit, serving only your refrigerator be provided.
Use receptacles that cannot be turned off by a switch or pull chain.
- Never clean refrigerator parts with flammable fluids. These fumes can create a fire hazard or explosion.
Do not store or use gasoline or other flammable vapors and liquids in the vicinity of this or any other appliance as the fumes can create a fire hazard or explosion.
- Before proceeding with cleaning and maintenance operations, make sure the power of the line of the unit is disconnected.
- Do not connect or disconnect the electric plug when your hands are wet.
- Unplug the freezer or disconnect power before cleaning or servicing. Failure to do so can result in shock or death.
- Do not attempt to repair or replace any part of your freezer unless it is specifically recommended in this manual.
All other servicing should be referred to a qualified technician.
- Use two or more people to move and install freezer. Failure to do so can result in back or other injury.
- To ensure proper ventilation for your freezer, the front of the unit must be completely unobstructed. Choose a well-ventilated area with temperatures above 60 °F (16 °C) and below 90 °F (32 °C). This unit must be installed in an area protected from the elements, such as wind, rain, water spray or drips.
- The freezer should not be located next to ovens, grills or other sources of high heat.
- The freezer must be installed with all electrical connections in accordance with state and local codes.
A standard electrical supply (115 V AC only, 60 Hz), properly grounded in accordance with the National Electrical Code and local codes and ordinances is required.
- Do not kink or pinch the power supply cord of refrigerator.
- The fuse (or circuit breaker) size should be 15 amperes.
- It is important for the freezer to be leveled in order to work properly. You may need to make several adjustments to level it.
- Never allow children to operate, play with or climb inside the freezer.
- Although the unit has been tested at a factory, due to long-term transit and storage, the first batch of cubes must be discarded.
- Do not use solvent-based cleaning agents or abrasives on the interior. These cleaners may cause damage or discoloration.
- Do not use this freezer for other than its intended purpose.

ELECTRICAL CONNECTION

- This appliance should be properly grounded for your safety. The power cord of this appliance is equipped with a three-prong plug which is compatible with standard three prong wall outlets to minimize the possibility of electrical shock.
- Do not cut or remove the third ground prong from the power cord supplied.
- This freezer requires a standard 115V~/60Hz electrical outlet with three-prong ground.
- To prevent injury, the cord should be secured behind the freezer and not left exposed or dangling.
- Never unplug the freezer by pulling the power cord. Always grip the plug firmly and pull straight out from the receptacle.
- This equipment is intended for storage and display of packaged products only.

EXTENSION CORD

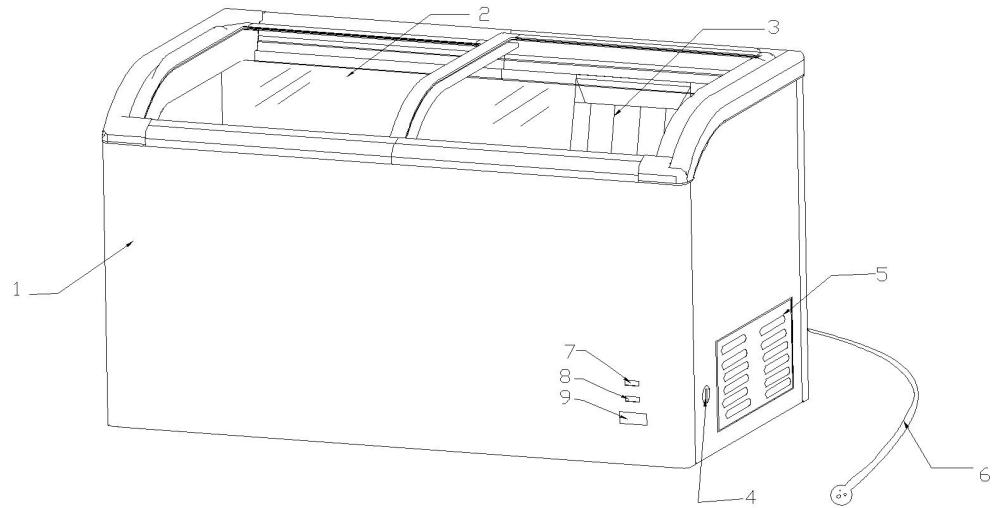
- Due to safety hazards, use of an extension cord with this product is not recommended. If an extension cord must be used, it must be a UL/CUL-listed, 3-wire grounding type appliance extension cord with a grounding type plug and outlet and the electrical rating must be 115V and at least 10 amperes.
- If the power cord is too short, have a qualified electrician or service technician install an outlet near the freezer.

SURGE PROTECTOR

- If the appliance is going to be used in an area that is prone to power surges/outages it is recommended that a power surge protector be used.
- The surge protector used must have a surge block high enough to protect the appliance.
If you have questions about the type and size of the surge protector needed, contact a licensed electrician.

FEATURES

1. Cabinet
2. Glass door
3. Basket
4. Thermostat knob
5. Compressor room cover
6. Power cord
7. Yellow Switch
8. Green light
9. Temperature display



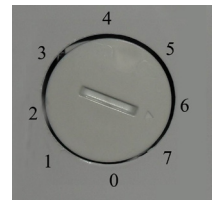
TO INSTALL:

1. Remove unit from box and make sure all plastic, tape and packaging materials are removed.
2. Place the unit on a flat, secure surface with at least 6" of open space around all sides.
3. Place the unit in an area that is not in direct sunlight or any other sources of heat.
4. Before connecting to a power source, let the freezer stand upright for 2 hours.
5. Ensure that the power outlet to be used is 120V. Do not use an extension cord.

This unit must be plugged directly into an outlet.

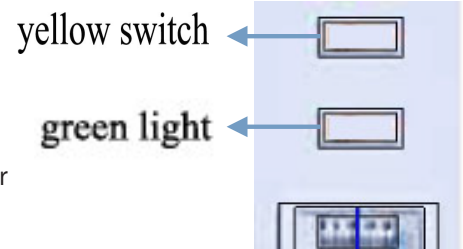
TO USE:

1. The yellow switch is controlled within the LED light
2. The green light indicates that the freezer is properly connected to electrical power. This light will glow even when the temperature control is turned to "0" or the compressor has failed.
3. The temperature control knob should be turned clockwise to make the temperature go down and anti-clockwise to make the temperature go up.



SETTING THE TEMPERATURE CONTROL

1. The temperature control is located on the lower left corner on the right side of the freezer
2. The first time you turn the unit on, set the temperature control to "7" and run for at least 2 hours before putting frozen foods inside.
3. The range of the temperature control is from position "1" the warmest to "7" the coldest. Adjust the temperature control to the setting that best suits your needs.



NOTE: If the unit is unplugged, loses power, or is turned off, you must wait 3-5 minutes before restarting. If you try to restart the unit too early, it will not start. Turning the temperature control to "OFF" position stops the cooling cycle but does not shut off power to the freezer. If you choose to change the thermostat setting, adjust thermostat control by one numerical increment at a time. Allow several hours for temperature to stabilize between adjustments.

DEFROSTING THE FREEZER

For the most efficient operation and minimum energy consumption, defrost the freezer when the frost on the freezer walls is excessive or $\frac{1}{4}$ to $\frac{1}{2}$ inch thick. Choose a time when the stock of frozen food is low. Do not use boiling water because it may damage the plastic parts. In addition, never use a sharp or metallic instrument to remove frost as it may damage the cooling coils and will void the warranty. We recommend using the plastic scraper provided with your unit.

DEFROSTING THE FREEZER

1. Remove the frozen food from the freezer and place it in a cooler to protect the food.
2. Turn the thermostat knob to '0'.
3. Unplug the freezer. The Power Supply Light should be OFF.
4. During defrosting, the ice will melt into the cabinet.
5. Remove the drain plug on the inside floor of the freezer by screwing out.
6. Place a shallow pan outside drain outlet. The defrost water will drain out.
7. Check the pan occasionally so the water does not overflow.
8. Clean the interior of the freezer.
9. Replace the plug on the inside floor.
10. Reconnect electrical connection. The Power Supply Light should be ON.
11. Reset the thermostat to desired setting.
12. Allow the cabinet to cool for one hour.
13. Set the temperature to "7" for a minimum of 2 hours
14. Return food to the freezer

FREEZER COMPARTMENT

- This compartment is designed for the long-term storage of food. Storage time is up to three months.
- The storage life of frozen foods varies and the recommended storage time should not be exceeded. The instructions regarding the care of frozen foods should be followed when defrosting the freezer.
- Pre-packed commercially frozen food should be stored in accordance with the frozen foods manufacturer's instructions for a three star frozen food storage compartment or home freezer.
- Place frozen food into the freezer as quickly as possible after purchase. If there are instructions on the packet, carefully follow these instructions regarding storage times.
- The freezer door is susceptible to breaking due to excessive ice build-up. Be sure to defrost when the ice reaches $\frac{1}{4}$ to $\frac{1}{2}$ inch thick.
- A storage basket is provided for the organization of odd-shaped items. To reach other packages in the freezer, just slide the basket to one side, or lift it out.

DOOR LOCK

Your unit is provided with a lock and key combination. The keys are located inside the plastic bag. Insert the key into the lock and turn it counterclockwise to lock the door. To unlock the door, do the reverse operation, making sure the metal pin is engaged completely. Remove the key and place it in a secure place for safekeeping.

FREEZING FRESH FOODS

- Proper use of the appliance, adequately packed food, correct temperature and taking into account hygienic precautions will substantially influence the quality of freezing the food or storing frozen food.
- This compartment is designed for long-term storage of frozen food.
- The storage life of frozen foods varies and the recommended storage time should not be exceeded.
- Pre-packed commercially frozen food should be stored in accordance with the frozen foods manufacturer's instructions for a three star frozen food storage compartment or home freezer.
- Place frozen food into the freezer as quickly as possible after purchase. If there are instructions on the packet, carefully follow these instructions regarding storage times.
- Carefully select food you intend to freeze – it should be adequate quality and suitable for freezing.
- Use correct packaging and ensure it is wrapped firmly.
- Packaging should be airtight and leak-proof to avoid nutrition loss and dehydration of foods.
- Foils and bags should be soft enough to tightly wrap around the foods.
- When preparing food to be frozen, consider sanitary conditions.
- Mark packages with the following data: type and amount of food and date-of-loading.
- Ensure that food is frozen as quickly as possible
- Do not overload the freezer

CARE AND MAINTENANCE

CLEANING YOUR FREEZER

- Upon installation of your new appliance, it is recommended that it be cleaned thoroughly.
- Turn the temperature control to “0”, unplug the freezer and remove the food and storage baskets.
- Clean the inside with a damp warm cloth containing a water and baking solution.
The solution should consist of about 2 tablespoons of baking soda to one quart of water.
- Clean the storage basket with a mild detergent solution.
- Be sure to keep the door gasket (seal) clean so the unit will run efficiently.
- Clean the outside of the freezer with a mild detergent and warm water.
- Dry the interior and exterior with a soft cloth.
- It is recommended that the unit is cleaned each time it is defrosted to keep the unit odor-free and running efficiently.

MOVING THE FREEZER

- Remove all the food.
- Securely tape down all loose items inside the freezer.
- Remove the rollers to prevent damage.
- Tape the doors shut.
- Be sure to keep the freezer in an upright position during transportation.

ENERGY SAVING TIPS

- The freezer should be located in the coolest area of the room, away from heat producing appliance or heating ducts, and out of direct sunlight.
- Let hot foods cool to room temperature before placing in freezer. Overloading will force the compressor to run longer. Foods that freeze too slowly may lose quality, or spoil.
- Ensure that foods are wrapped properly, and containers are dry before being placed in the freezer. This will cut down on frost inside the freezer.
- Freezer storage bin should not be lined with aluminum foil, wax paper, or paper towels. Liners interfere with cold air circulation and make the freezer less efficient.
- Organize and label food to reduce door openings and extended searches. Remove as many items as needed at one time, and close the door as soon as possible.

TROUBLESHOOTING

PROBLEM	POSSIBLE CAUSE
Freezer does not operate.	Not plugged in. The circuit breaker tripped or blown fuse. The freezer temperature control is set at “0”.
Compressor turns on and off frequently.	The room temperature is hotter than normal. A large amount of food has been added to the freezer. The door is opened too often. The door is not closed completely. The temperature control is not set correctly. The door gasket does not seal properly. The freezer does not have the correct clearances. The freezer has recently been disconnected for a period of time. Four hours are required for the freezer to cool down completely.

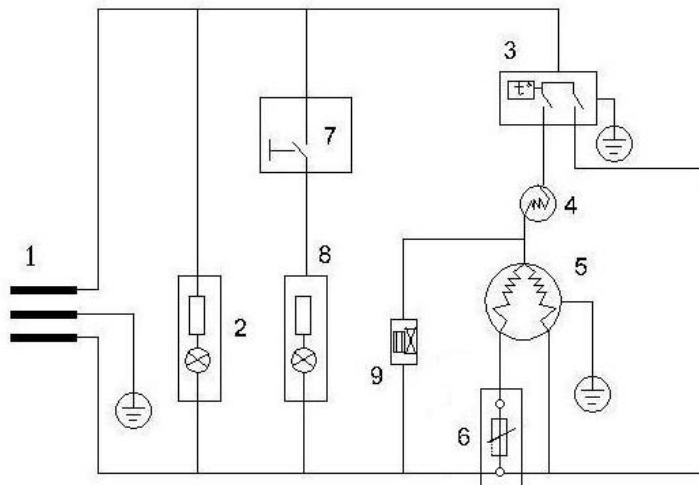
TROUBLESHOOTING

PROBLEM	POSSIBLE CAUSE
Freezer does not operate.	<p>Not plugged in.</p> <p>The circuit breaker tripped or blown fuse.</p> <p>The freezer temperature control is set at "0".</p>
Compressor turns on and off frequently.	<p>The room temperature is hotter than normal.</p> <p>A large amount of food has been added to the freezer.</p> <p>The door is opened too often.</p> <p>The door is not closed completely.</p> <p>The temperature control is not set correctly.</p> <p>The door gasket does not seal properly.</p> <p>The freezer does not have the correct clearances.</p> <p>The freezer has recently been disconnected for a period of time. Four hours are required for the freezer to cool down completely.</p>
Temperature inside the freezer is too warm.	<p>Temperature control is set too warm. Turn the control to a cooler setting and allow several hours for the temperature to stabilize.</p> <p>Door is kept open too long or is opened too frequently.</p> <p>Warm air enters the freezer every time the door is opened. Open the door less often.</p> <p>The door is not closed completely.</p> <p>The door gasket does not seal properly.</p> <p>A large amount of warm or hot food might have been stored recently. Wait until the freezer has had a chance to reach its selected temperature.</p> <p>The freezer has recently been disconnected for a period of time. Four hours are required for the freezer to cool down completely</p>
Temperature inside the freezer is too cold.	<p>Temperature control is set too cold. Turn the control to a warmer setting and allow several hours for the temperature to stabilize. switch on the "7", This causes continuous running of the compressor and bypasses the temperature control.</p>
Temperature of external freezer surface is warm.	<p>The exterior freezer walls can be as much as 30°F warmer than room temperature. This is normal while the compressor works to transfer heat from inside the freezer cabinet.</p>
Popping or cracking sound when compressor comes on.	<p>Metal parts undergo expansion and contraction, as in hot water pipes. This is normal. Sound will level off or disappear as freezer continues to run.</p>
Bubbling or gurgling sound, like water boiling.	<p>Refrigerant (used to cool freezer) is circulating throughout the system. This is normal.</p>
Vibrations.	<p>Check to assure that the freezer is not on a level surface. Floor is uneven or weak. Freezer rocks on the floor when it is moved slightly. Be sure floor can adequately support freezer. Level the freezer by putting wood or metal shims under part of the freezer. The freezer is touching the wall. Re-level the freezer and move it from the wall. See "Installation Instructions"</p>

TROUBLESHOOTING

PROBLEM	POSSIBLE CAUSE
Moisture forms on inside freezer walls.	Weather is hot and humid, which increases internal rate of frost build-up. This is normal. Door is slightly open. Door is kept open too long, or is opened too frequently. Open the door less often. The door is not sealed properly.
Moisture forms on outside of freezer.	Door is slightly open, causing cold air from inside the freezer to meet warm moist air from outside.
The door will not close properly.	The freezer is not on a level surface. The gasket is dirty. The storage basket is out of position.

WIRING DIAGRAM



1. Plug 2. Power Indicator 3. Thermostat
 4. Overload Protector 5. Compressor 6. Starter
 7. Lamp Switch 8. Inner Light 9. Fan

ACE Equipment One Year Limited Warranty

ACE warrants its equipment against defects in materials and workmanship, subject to the following conditions:

ACE Equipment is warranted for one year, effective from the date of purchase by the original owner. A copy of the original receipt or other proof of purchase is required to obtain warranty coverage. This warranty applies to the original owner only, and is not assignable.

Should any product fail to function in its intended manner under normal use within the limits defined in this warranty, at ACE's discretion, such product will be repaired, replaced with a refurbished unit, or replaced with a new unit by ACE, after defective unit has been inspected and defect has been confirmed. ACE does not assume any liability for extended delays in replacing any item beyond its control. This warranty does not apply to rubber and non-metallic synthetic parts that may need to be replaced due to normal usage, wear or lack of preventative maintenance.

This warranty covers products shipped into the 48 contiguous United States. Warranty coverage on products used outside the 48 contiguous United States, Hawaii, Alaska, Puerto Rico, and Canada, cover parts only.

The following conditions are not covered by warranty:

- Equipment failure relating to improper installation, improper utility connection or supply and problems due to improper ventilation.
- Equipment that has not properly been maintained, damage from improper cleaning, and water damage to controls.
- Equipment that has not been used in an appropriate manner, or has been subject to misuse, neglect, abuse, accident, alteration, negligence, damage during transit, delivery or installation, fire, flood, riot, or act of God.
- Equipment that has the model number or serial number removed or altered.
- Equipment on which the security seal has been broken.

If the equipment has been changed, altered, modified, or repaired without express written permission from ACE, then the manufacturer shall not be liable for any damages to any person or to any property, which may result from the use of this equipment thereafter.

This equipment is intended for commercial use only and this warranty is void if equipment is used in other than a commercial application.

For warranty and non-warranty related issues, technical support, please contact NSA at 1-877-672-7740. To purchase replacement parts and warranty registration visit www.admiralcraft.com. Please have your model number, serial number and proof of purchase ready. It is not necessary to contact the place where you originally purchased your product from.

“THE FOREGOING WARRANTY IS IN LIEU OF ANY AND ALL WARRANTIES EXPRESSED OR IMPLIED INCLUDING ANY IMPLIED WARRANTY OF MERCHANTABILITY OR FITNESS FOR PARTICULAR PURPOSES AND CONSTITUTES THE ENTIRE LIABILITY OF ACE. IN NO EVENT DOES THE LIMITED WARRANTY EXTEND BEYOND THE TERMS STATED HEREIN.”

WARRANTY REGISTRATION CARD

MAIL CARD
IMMEDIATELY



This card must be mailed immediately after installation date for warranty to be in effect.

National Service America • 230 Park Ave, 3rd Floor WEST • New York, NY • 10169

_____		_____	
(Name of Business)		(Dealer Purchased From)	

(Address)	(City)	(State)	(Zip Code)
_____		_____	
(Model Number)		(Serial Number)	

This is to inform that I, _____
(Please print name of individual who owns business)

have had the above installed in my place of business _____
(Date of Purchase)

_____	_____	_____
(Contact Phone Number)	(Contact E-mail)	(Signature of Individual Who Owns Business)