

UNDERCOUNTER REFRIGERATOR

TUC48R

2-Door



TECHNICAL SPECIFICATIONS

Voltage/Frequency	115V/60Hz
Refrigerant	R290
Type of Defrost	Automatic
Interior Material	Stainless Steel
Exterior Material	Stainless Steel
Temperature Range °F	33 ~ 41°F
Compressor Power (HP)	1/5
Nema Config.	NEMA5-15P



PRODUCT FEATURES

- The back mount compressor structure is placed in the coolest possible area, provides quick and easy service.
- Digital temperature controls with LED display for precise adjustment and automatic defrosting system.
- Temperatures in the cabinet range from 33 to 41 degrees Fahrenheit
- Higher Resistance to dust, high quality condenser.
- R290 Natural Refrigerant, promotes faster cool down and efficient energy consumption
- Self-closing doors at 60° with stay open feature.
- Stainless steel inside and outside, sealed interior floors and rounder cabinet corners for easy cleaning.
- High quality coated stainless adjustable shelves prevent peel and rust.

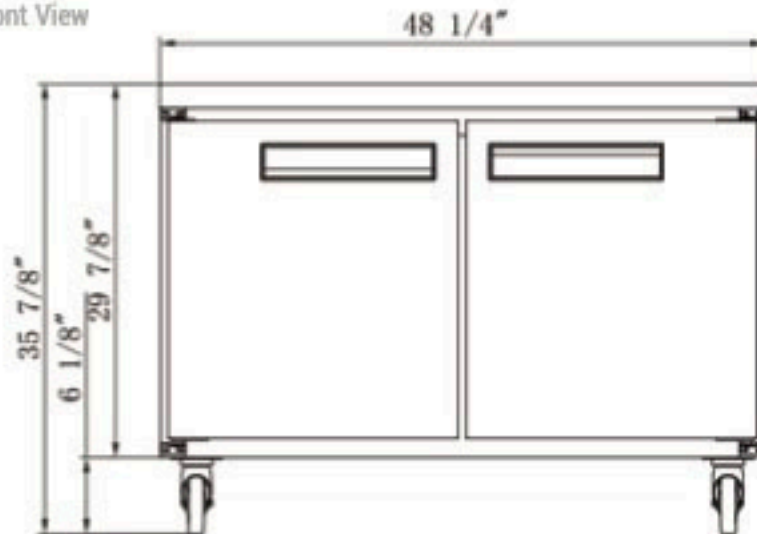


HIGH QUALITY STAINLESS STEEL & ROBUST DESIGN

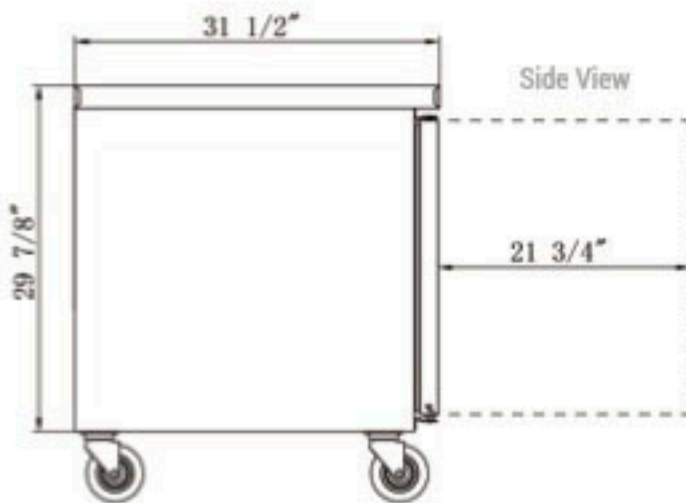
DETAILS & SPECIFICATIONS

UNDERCOUNTER **TUC48R**

Front View



Side View



Rated Voltage	115V
Rated Frequency	60Hz
Total Input Power	280W
Total Current	2.4A
Total Capacity	12.21 cu ft
Climatic Category	4-5
Protection Type	I
Design Pressure High Side	300 PSIG
Design Pressure Low Side	150 PSIG
Insulation Blowing Gas	C-Pentane
Refrigerant	R290/3.17oz

MODEL	EXTERNAL DIMENSION WXDXH (INCHES)	PACKAGING DIMENSION WXDXH (INCHES)	PRODUCT NET WEIGHT	# OF SHELVES	40HQ CONTAINER CERT.
TUC48R	48 1/4 x 31 1/2 x 36	49 5/8 x 33 1/8 x 39 3/8	211 lbs	2	46

