



GAS RANGE

TCR60-6B24GM-NG

60" Combination - 6 Burner & 24" Griddle Top



Knobs



Cooking Surface



PRODUCT DESCRIPTION

- ✦ ✦ Stainless steel exterior including front, back sides, kick plate, back guard and over shelf
- 🍳 Heavy duty 12" X 12" removable, cast iron top grates
- 🌡️ Oven temperature range between 175°F to 500°F
- 🔌 3/4" NPT rear gas connection and regulator standard.
- 🗑️ Two(2) chrome oven rack per oven standard, multiple position oven rack guides
- 🍳 Enamel interior oven for easy cleaning.
- 🛞 6" casters with lock for easy mobility.



HIGH QUALITY STAINLESS STEEL & ROBUST DESIGN

GAS RANGE MODEL	DIMENSION		
	Width	Depth	Height
TCR60-6B24GM-NG	60 in	31 1/2 in	56 in

📞 1-562-907-8090

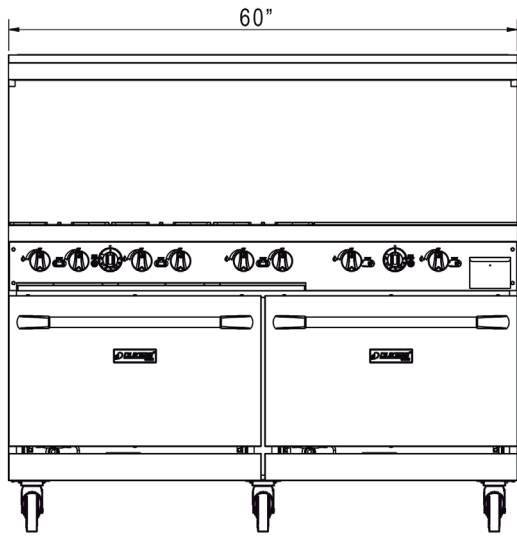
@ Sales@chefaaa.com

www.ChefAAA.com

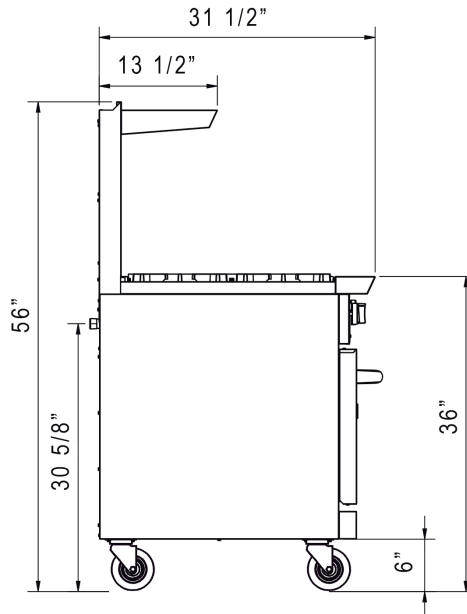
DETAILS & SPECIFICATIONS

TCR60-6B24GM-NG

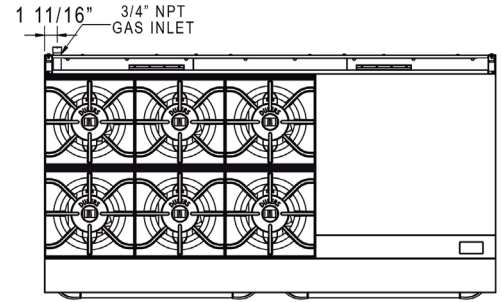
Front View



Side View



Top View





 SANITATION C US
 Conforms to NSF/ANSI7 (ETL)


PROUD MEMBER
CFESA
Commercial Food Equipment Service Association

Product Specifications

WORKING AREA 36"x24" & 24"x20"

GAS TYPE LPG/NG

	TCR60-6B24GM-NG		
	HOT PLATE	GRIDDLE	OVEN
BURNERS	6	2	2
SINGLE OUTPUT BTU	33000 BTU	28000 BTU	35000 BTU
NOZZLE #	41	43	38
TOTAL OUTPUT BTU	324000 BTU		
GAS PRESSURE	5		

Model	Packaging Dimensions (inches)			Net Weight (lbs)	Ship Weight (lbs)	Container Capacity 40'HQ
	W	D	H			
TCR60-6B24GM-NG	62"	36 4/5"	38 1/5"	626.12	744.92	44

 1-562-907-8090

 Sales@chefaaa.com

www.ChefAAA.com