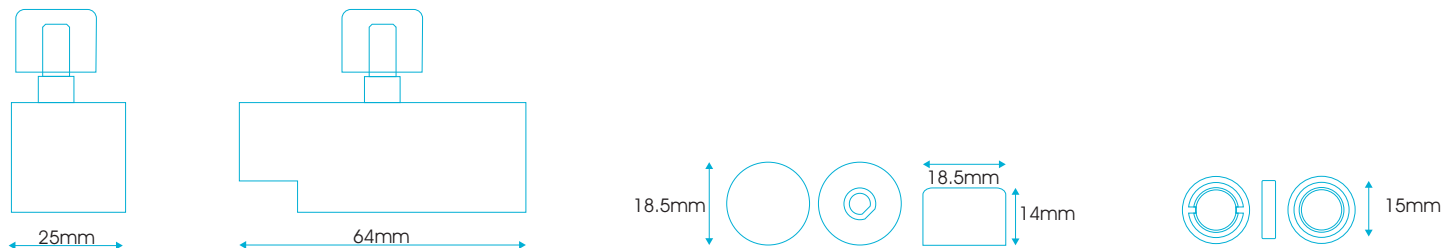


Contact us at Zano Controls,  
 Unit 1&2 Chantry Court,  
 Wrythe Lane,  
 Carshalton,  
 Surrey,  
 SM5 2DG.  
 Tel: 0345 519 5858  
 email: sales@zаноcontrols.co.uk



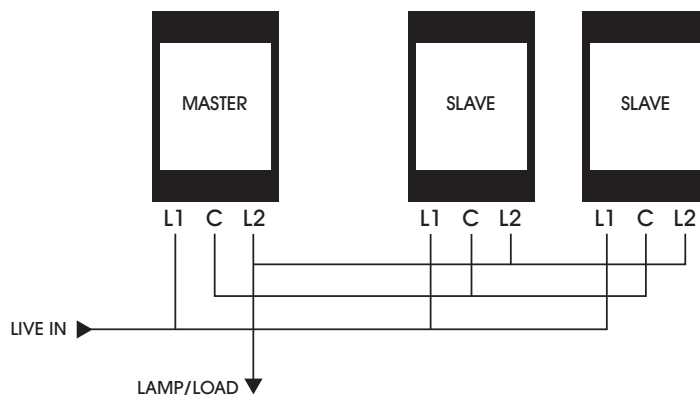
**ZSMARTLED DATA SHEET: OFFSET MODULE**  
 MADE IN GREAT BRITAIN



COMPATIBLE LOAD TYPE	LED
2-WAY SWITCH	YES
ON / OFF OPERATION STYLE	PUSH ON / PUSH OFF
DIMMING OPERATION	ROTARY
PROTECTION	OVERLOAD/THERMAL
SMART SETTINGS	YES
DB NOISE DURING OPERATION	-110 DBA
SOFT START	YES
SUPPLY VOLTAGE	110V - 240V AC
FREQUENCY RANGE	40 - 50Hz +/- 10%
MAX OPERATING TEMPERATURE	70°C
RH RANGE	95% NON CONDENSING
MAX AMBIENT TEMPERATURE	40°C
MINIMUM AMBIENT TEMPERATURE	0°C
MAX LOAD*	150W / VA
MIN LOAD*	5W / VA
TERMINAL TORQUE MAX SETTING	0.5 NM
MAX TERMINAL CAPACITY	3mm
MAX SWITCHING CAPACITY	4A RESISTIVE
CABLE TYPE	MAINS RATED CABLE
MAX CABLE LENGTH	100m

\* Per Dimmer

**1 OR 2 SLAVES CAN BE CONNECTED**



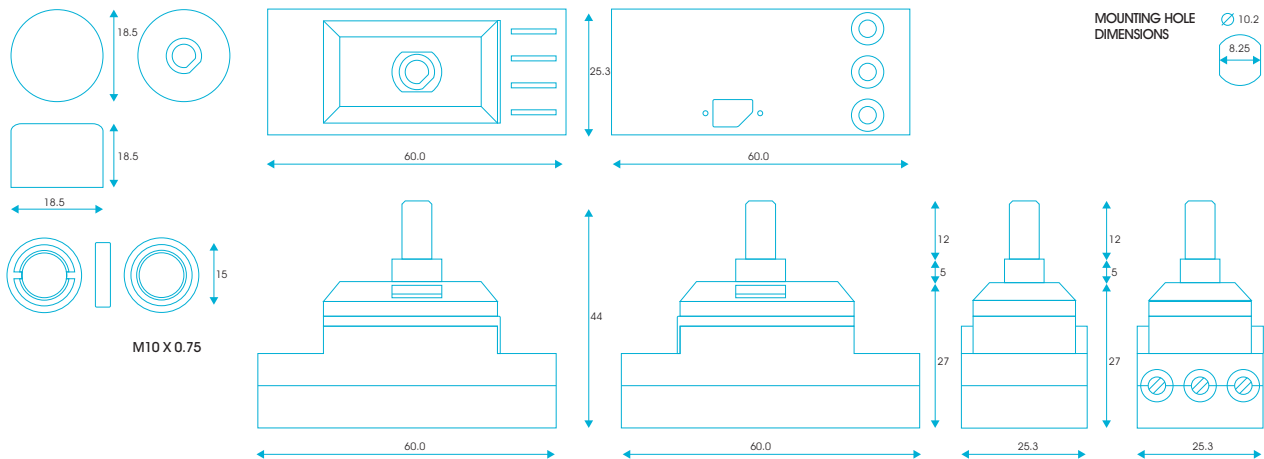
**PROGRAMME LOCKOUT**

You have 30 minutes to programme once mains power is turned on.  
 To reset, turn mains power off and wait 10 seconds. Then switch the power back on and start the programming sequence again.  
 All settings will be retained even in the event of a power cut.

Contact us at Zano Controls,  
 Unit 1&2 Chantry Court,  
 Wrythe Lane,  
 Carshalton,  
 Surrey,  
 SM5 2DG.  
 Tel: 0345 519 5858  
 email: sales@zаноcontrols.co.uk



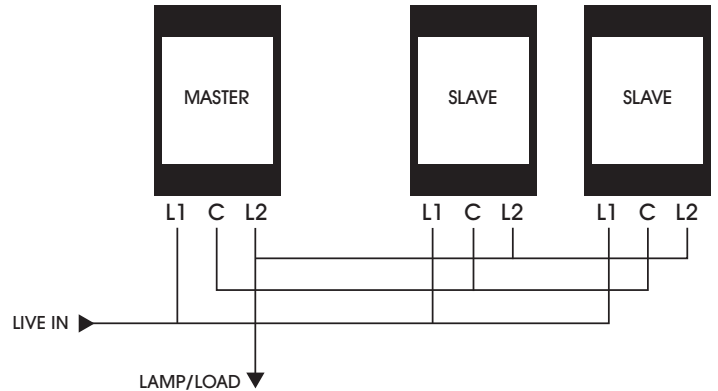
**ZSMARTLED DATA SHEET: CENTRE MODULE**  
 MADE IN GREAT BRITAIN



COMPATIBLE LOAD TYPE	LED
2-WAY SWITCH	YES
ON / OFF OPERATION STYLE	PUSH ON / PUSH OFF
DIMMING OPERATION	ROTARY
PROTECTION	OVERLOAD/THERMAL
SMART SETTINGS	YES
DB NOISE DURING OPERATION	-110 DBA
SOFT START	YES
SUPPLY VOLTAGE	110V - 240V AC
FREQUENCY RANGE	40 - 50Hz +/-10%
MAX OPERATING TEMPERATURE	70°C
RH RANGE	95% NON CONDENSING
MAX AMBIENT TEMPERATURE	40°C
MINIMUM AMBIENT TEMPERATURE	0°C
MAX LOAD*	150W/VA
MIN LOAD*	5W/VA
TERMINAL TORQUE MAX SETTING	0.5 NM
MAX TERMINAL CAPACITY	3mm
MAX SWITCHING CAPACITY	4A RESISTIVE
CABLE TYPE	MAINS RATED CABLE
MAX CABLE LENGTH	100m

\* Per Dimmer

**1 OR 2 SLAVES CAN BE CONNECTED**



**PROGRAMME LOCKOUT**

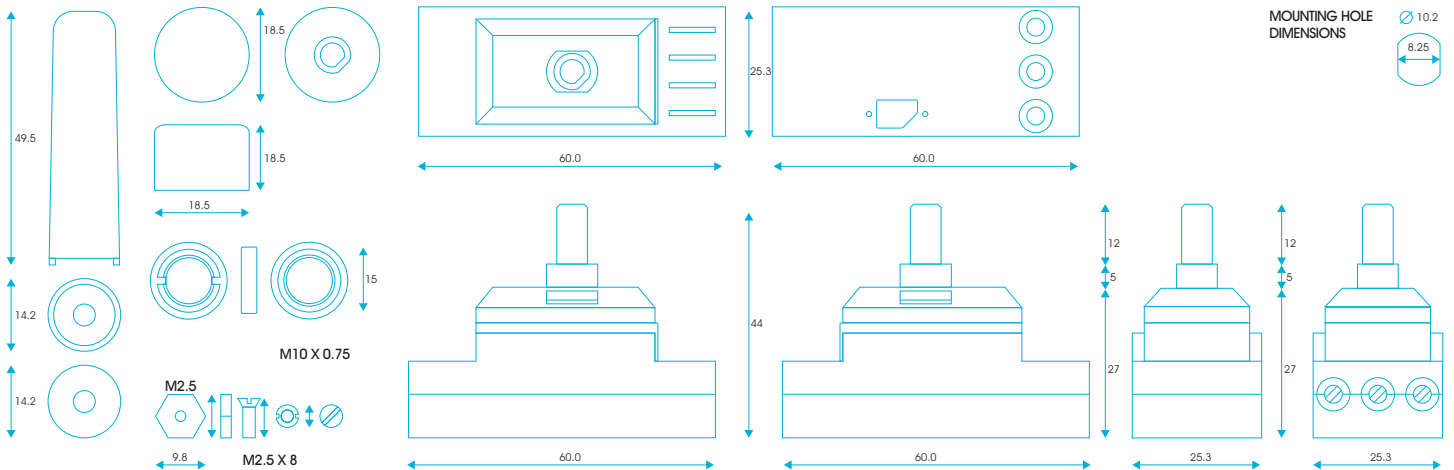
You have 30 minutes to programme once mains power is turned on.

To reset, turn mains power off and wait 10 seconds. Then switch the power back on and start the programming sequence again. All settings will be retained even in the event of a power cut.

Contact us at Zano Controls,  
 Unit 1&2 Chantry Court,  
 Wrythe Lane,  
 Carshalton,  
 Surrey,  
 SM5 2DG.  
 Tel: 0345 519 5858  
 email: sales@zanocontrols.co.uk



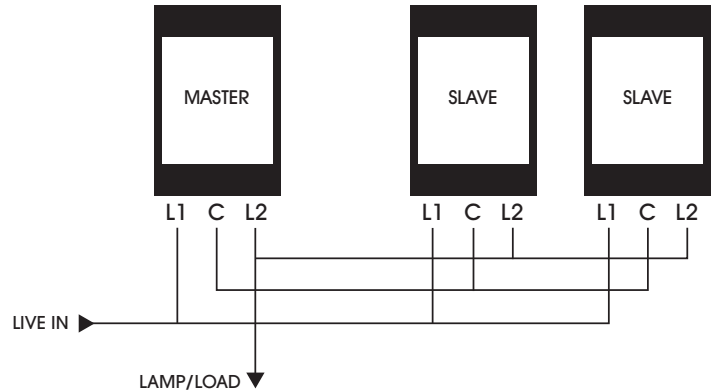
**ZSMARTLED DATA SHEET: GRID**  
 MADE IN GREAT BRITAIN



COMPATIBLE LOAD TYPE	LED
2-WAY SWITCH	YES
ON / OFF OPERATION STYLE	PUSH ON / PUSH OFF
DIMMING OPERATION	ROTARY
PROTECTION	OVERLOAD/THERMAL
SMART SETTINGS	YES
DB NOISE DURING OPERATION	-110 DBA
SOFT START	YES
SUPPLY VOLTAGE	110V - 240V AC
FREQUENCY RANGE	40 - 50Hz +/- 10%
MAX OPERATING TEMPERATURE	70°C
RH RANGE	95% NON CONDENSING
MAX AMBIENT TEMPERATURE	40°C
MINIMUM AMBIENT TEMPERATURE	0°C
MAX LOAD*	150W / VA
MIN LOAD*	5W / VA
TERMINAL TORQUE MAX SETTING	0.5 NM
MAX TERMINAL CAPACITY	3mm
MAX SWITCHING CAPACITY	4A RESISTIVE
CABLE TYPE	MAINS RATED CABLE
MAX CABLE LENGTH	100m

\* Per Dimmer

**1 OR 2 SLAVES CAN BE CONNECTED**



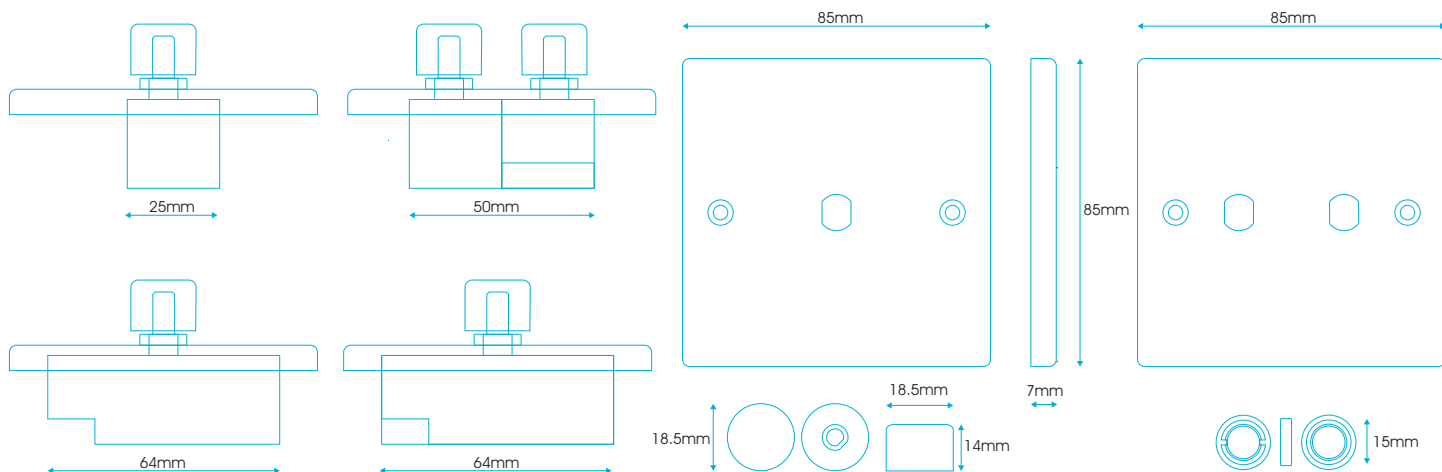
**PROGRAMME LOCKOUT**

You have 30 minutes to programme once mains power is turned on.  
 To reset, turn mains power off and wait 10 seconds. Then switch the power back on and start the programming sequence again.  
 All settings will be retained even in the event of a power cut.

Contact us at Zano Controls,  
 Unit 1&2 Chantry Court,  
 Wrythe Lane,  
 Carshalton,  
 Surrey,  
 SM5 2DG.  
 Tel: 0345 519 5858  
 email: sales@zanocontrols.co.uk



**ZSMARTLED DATA SHEET: SLIMLINE WHITE PLASTIC**  
 MADE IN GREAT BRITAIN



COMPATIBLE LOAD TYPE	LED
2-WAY SWITCH	YES
ON / OFF OPERATION STYLE	PUSH ON / PUSH OFF
DIMMING OPERATION	ROTARY
PROTECTION	OVERLOAD/THERMAL
SMART SETTINGS	YES
DB NOISE DURING OPERATION	-110 DBA
SOFT START	YES
SUPPLY VOLTAGE	110V - 240V AC
FREQUENCY RANGE	40 - 50Hz +/- 10%
MAX OPERATING TEMPERATURE	70°C
RH RANGE	95% NON CONDENSING
MAX AMBIENT TEMPERATURE	40°C
MINIMUM AMBIENT TEMPERATURE	0°C
MAX LOAD*	150W/VA
MIN LOAD*	5W/VA
TERMINAL TORQUE MAX SETTING	0.5 NM
MAX TERMINAL CAPACITY	3mm
MAX SWITCHING CAPACITY	4A RESISTIVE
CABLE TYPE	MAINS RATED CABLE
MAX CABLE LENGTH	100m

\* Per Dimmer

**1 OR 2 SLAVES CAN BE CONNECTED**

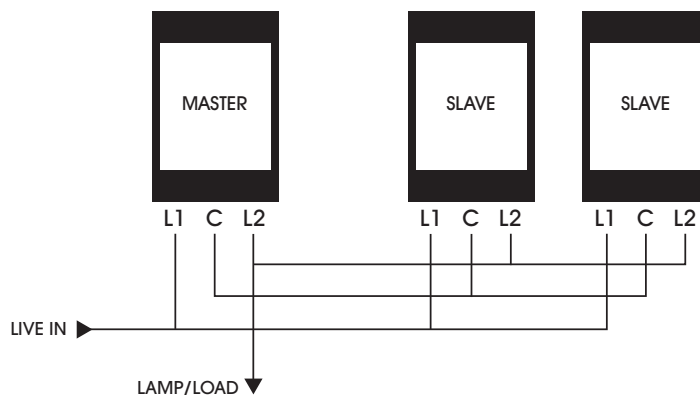


PLATE MODULES	LED RATING
1 GANG	1 X 150W/VA
2 GANG	2 X 150W/VA

**PROGRAMME LOCKOUT**

You have 30 minutes to programme once mains power is turned on.

To reset, turn mains power off and wait 10 seconds. Then switch the power back on and start the programming sequence again. All settings will be retained even in the event of a power cut.