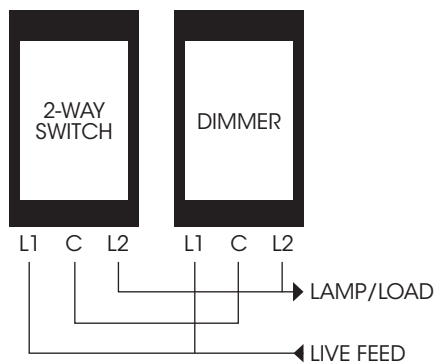


# ZMOSW10A / ZGRIDSW10A

## 2-way switches or dummy dimmers

### WIRING INSTRUCTIONS

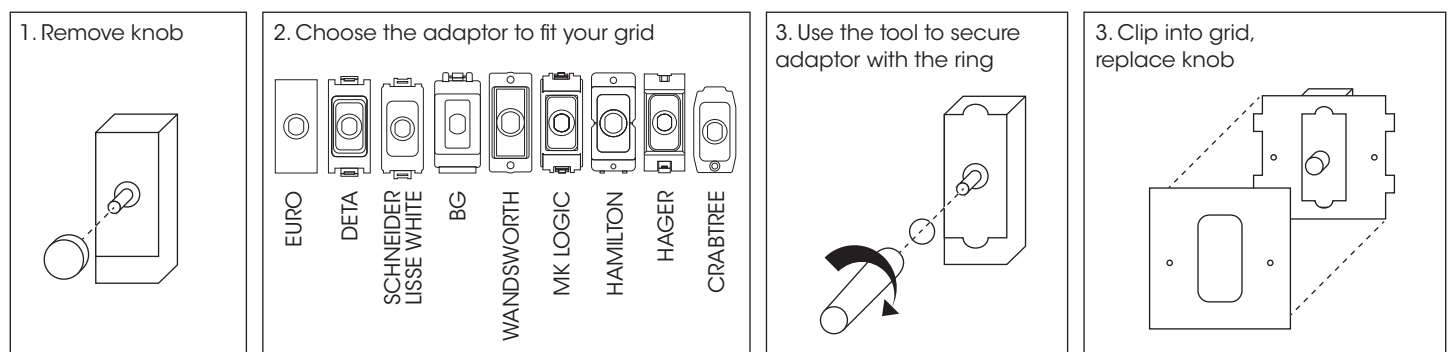
Switch and dimmer



### INSTALLATION

**NB: Installation must be carried out by a qualified electrician.**

- Isolate the supply.
- Wire device using a suitable mains rated cable as in wiring diagrams.
- Terminals should be tightened to a maximum of 0.5Nm.
- Check polarity is correct throughout.
- Fit appropriate adaptor as in assembly diagram below.
- Product should be recycled at end of life where facilities exist.



## SPECIFICATIONS

PART NO.	ZMOSW10A	ZGRIDSW10A
MODULE SIZE	SINGLE	SINGLE GRID
LAMP TYPE	PUSH SWITCH	PUSH SWITCH
MAX WATT	10A RESISTIVE	10A RESISTIVE
MIN WATT	N/A	N/A
FLUSH WALL BOX	72 X 72 X 35 MM	72 X 72 X 35 MM

## PRODUCT OVERVIEW

The Zano 2-way switch module has been produced to blend in with our range of module and grid dimmers and are designed to be used to create a uniform appearance. It is essential before making any connections to check the load that requires switching and to cross check the table to ensure the load meets the specification of the switch. Connection loads outside of the specification will invalidate the guarantee.

### CONTACT OUR FRIENDLY TEAM

Call: **0345 519 5858**

Email: [sales@zаноcontrols.co.uk](mailto:sales@zаноcontrols.co.uk)

[www.zаноcontrols.co.uk](http://www.zаноcontrols.co.uk)

Zano Controls, Units 1&2 Chantry Court, Wrythe Lane, Carshalton, Surrey, SM5 2D

### GUARANTEE

For lamp test results and our full terms and conditions please see our website: [www.zаноcontrols.co.uk](http://www.zаноcontrols.co.uk)