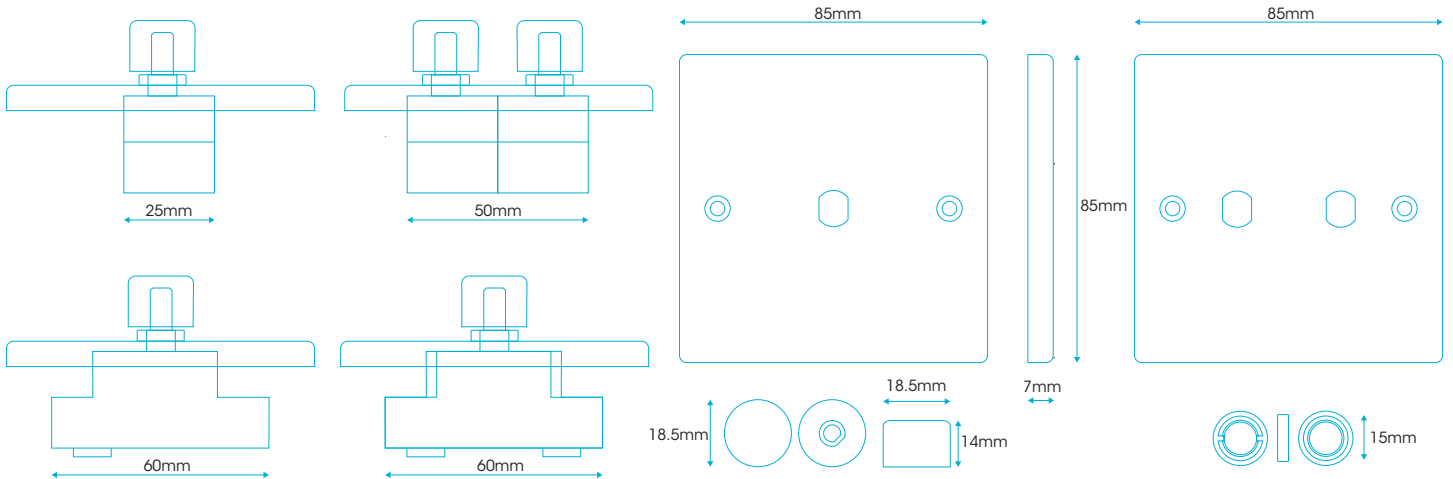


Contact us at Zano Controls,  
 Unit 1&2 Chantry Court,  
 Wrythe Lane,  
 Carshalton,  
 Surrey,  
 SM5 2DG.  
 Tel: 0345 519 5858  
 email: sales@zаноcontrols.co.uk



**ZLINELED RANGE DATA SHEET**  
 MADE IN GREAT BRITAIN



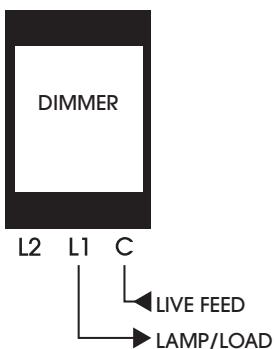
COMPATIBLE LOAD TYPE	LED
2-WAY SWITCH	YES
ON / OFF OPERATION STYLE	PUSH ON / PUSH OFF
DIMMING OPERATION	ROTARY
PROTECTION	OVERLOAD/THERMAL
SMART SETTINGS	YES
DB NOISE DURING OPERATION	- 110 DBA
SOFT START	YES
SUPPLY VOLTAGE	110V- 240V AC
FREQUENCY RANGE	40 - 50Hz +/- 10%
MAX OPERATING TEMPERATURE	70° C
RH RANGE	95% NON CONDENSING
MAX AMBIENT TEMPERATURE	35° C
MINIMUM AMBIENT TEMPERATURE	0° C
TERMINAL TORQUE MAX SETTING	0.5 NM
MAX TERMINAL CAPACITY	3mm
MAX SWITCHING CAPACITY	10A RESISTIVE

PLATE MODULES	LED RATING	LED RATING
1 GANG	1 X 150W/VA	1 X 250W/VA
2 GANG	2 X 150W/VA	2 X 250W/VA

PART CODES	ZSP151	ZSP152	ZSP251	ZSP252
MAX LOAD*	150W/VA	2 X 150W/VA	250W/VA	2 X 250W/VA
MIN LOAD*	0W/VA	2 X 0W/VA	5W/VA	2 X 5W/VA

\* Per Dimmer

**DIMMER**



**2-WAY SWITCH AND DIMMER**

