

BEFORE YOU START:

- The **VA rating of the lamp/load**, and the **total inrush current** need to be calculated using the specifications provided by the lamp/fitting manufacturer.
- Select the appropriate dimmer based on total load and inrush calculations.
- Do not use lamps with a power factor of less than 0.8
- Due to some lamp/loads not taking their current in a sinusoidal waveform, further derating may be required. If you are unsure please contact us.

Installation must be carried out by a qualified electrician. For optimum performance the dimmer must be programmed.

ZGRIDLED150

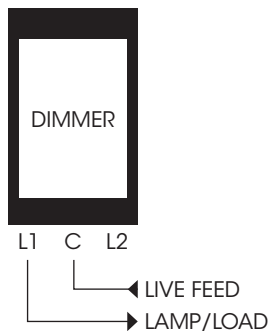
Next generation 0-150W dimming

ZGRIDLED+

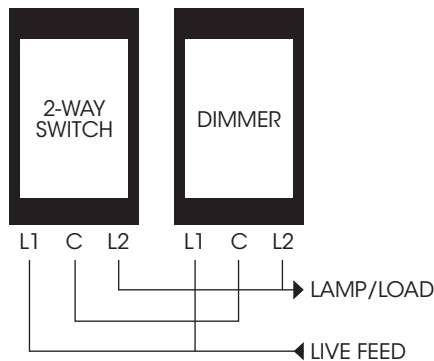
Intelligent 5-250W LED dimming

WIRING INSTRUCTIONS

Dimmer



Switch and dimmer



INSTALLATION

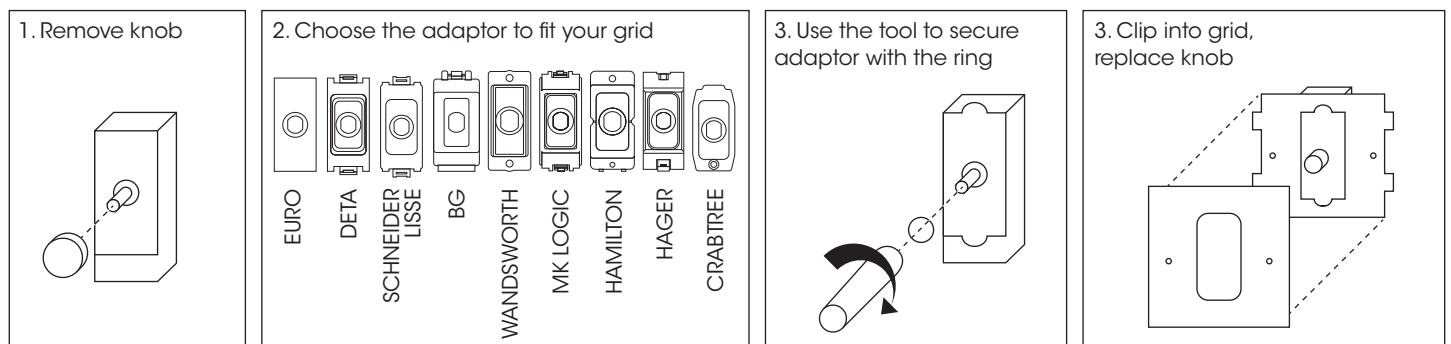
NB: Installation must be carried out by a qualified electrician.

- Turn off the mains at distribution board.
- Wire device using a suitable mains rated cable as in wiring diagrams.
- Terminals should be tightened to a maximum of 0.5Nm.
- Check polarity is correct throughout.
- Fit appropriate adaptor as in assembly diagram below.
- Product should be recycled at end of life where facilities exist.

PROGRAMME LIGHT LEVELS WITH SMART SETTINGS

- 1 Turn on the controller.
- 2 Turn controller fully clockwise then press to turn off.
- 3 While off, turn the controller fully anti-clockwise.
- 4 Press to turn on. The lights will now flash to indicate that you are in programming mode.
- 5 Turn controller clockwise to bring on the lights and choose your desired minimum level.
- 6 Let go of the controller and wait for a flash. The minimum level has now been set.
- 7 Turn controller to the desired start level.
- 8 Let go of the controller and wait for a flash. The start level has now been set.
- 9 The lights will now come on at maximum brightness. Turn the controller down to a different maximum if preferred.
- 10 Let go of the controller and wait for a flash. Your dimmer is now programmed and ready to use.

NB: All settings will be retained even in the event of a power cut. To reset, just start the programming sequence again.



SPECIFICATIONS

PART NO.	ZGRIDLED150 ZGRIDLED150BLK ZGRIDLED150CLWH ZGRIDLED150CLBLK	ZGRIDLED+ ZGRIDLED+BLK ZGRIDLED+CLWH ZGRIDLED+CLBLK
MODULE SIZE	SINGLE GRID	SINGLE GRID
LAMP TYPE	LED/CFL	LED/CFL
MAX WATT	150W / VA	250W / VA
MIN WATT	0W / VA	5W / VA
MIN BOX DEPTH	35 MM (47MM for Click Scolmore Grid Pro adaptor)	35 MM (47MM for Click Scolmore Grid Pro adaptor)
2-WAY SWITCHING	YES	YES
NEED TO DE-RATE TO 160W / VA	N/A	YES, IF FITTING 2 OR MORE PER PLATE

MAXIMUM PLATE LOAD RECOMMENDATIONS

COVER PLATE SIZE	LED RATING
SINGLE PLATE	400W / VA
DOUBLE PLATE	640W / VA
6-8 GANG	1280W / VA

PRODUCT OVERVIEW

The ZGRIDLED range of dimmers has been specifically designed to dim LED lamps. The advanced technology used to control the load results in flicker-free dimming of lamps and drivers. This technology also eliminates the need to differentiate between leading and trailing edge lamps. It works with both. All our LED dimmers have built-in thermal and over-load protection, as well as smart settings. It is essential before making connections to check the load against the table to ensure it meets the specification of the dimmer switch.

CONTACT OUR FRIENDLY TEAM

Call: **0345 519 5858**

Email: sales@zanocontrols.co.uk

www.zanocontrols.co.uk

Zano Controls, Units 1&2 Chantry Court, Wrythe Lane, Carshalton, Surrey, SM5 2D

GUARANTEE

For lamp test results and our full terms and conditions please see our website: www.zanocontrols.co.uk