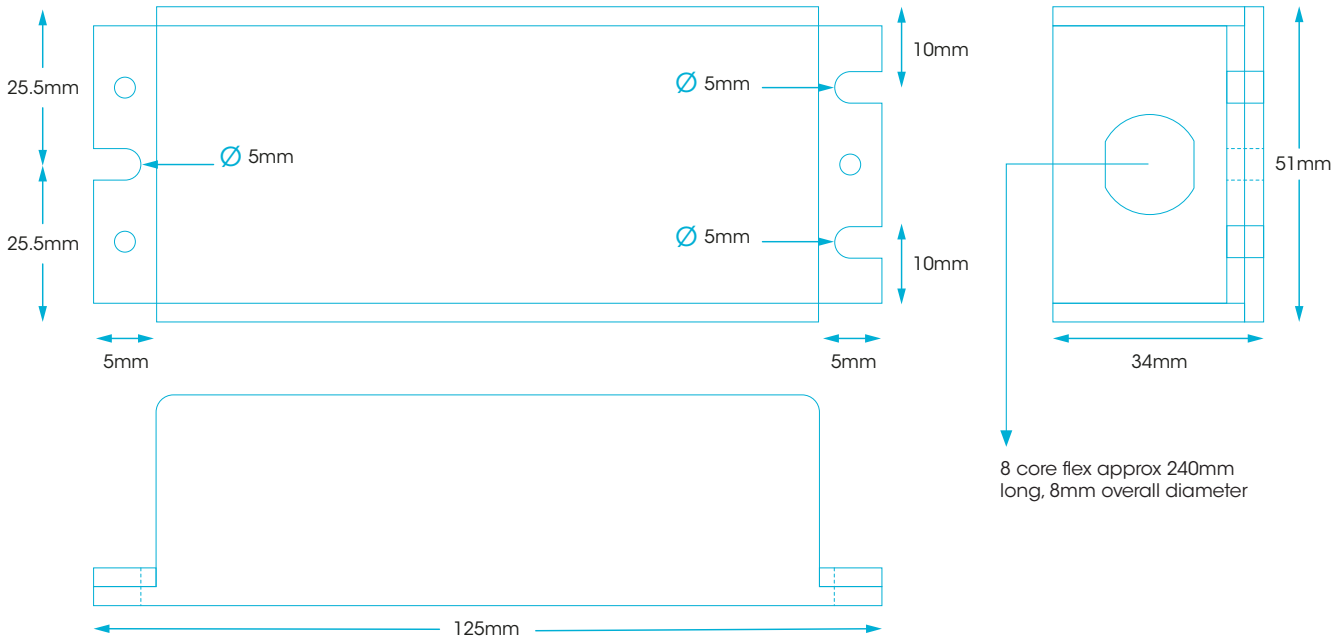


Contact us at Zano Controls,  
 Unit 1&2 Chantry Court,  
 Wrythe Lane,  
 Carshalton,  
 Surrey,  
 SM5 2DG.  
 Tel: 0345 519 5858  
 email: sales@zanocontrols.co.uk



**ZBARLED300/ZBARLED1000 DATA SHEET: p1**  
 MADE IN GREAT BRITAIN



COMPATIBLE LOAD TYPE	LED, HALOGEN, LV
DIMMING OPERATION	ZGRIDBARCR ROTARY CONTROLLER MOMENTARY SWITCH PUSH TO MAKE PUSH UP/DOWN
PROTECTION	IP40
SHORT CIRCUIT PROTECTION	YES
OVERLOAD PROTECTION	YES
THERMAL PROTECTION	YES
SMART SETTINGS	YES
SOFT START	YES
DB NOISE DURING OPERATION	- 110 DBA
POWER CONSUMPTION	0.5 WATTS
SUPPLY VOLTAGE	230V AC
FREQUENCY RANGE	50Hz +/- 10%
MAX OPERATING TEMPERATURE	50° C
RH RANGE	95% NON CONDENSING
MAX AMBIENT TEMPERATURE	35° C
MINIMUM AMBIENT TEMPERATURE	0° C
TERMINATION	PRE TERMINATED 8 CORE 0.75 FLEX
CABLE TYPE	MAINS RATED CABLE Multicore cable must not be used. Seperate control cables must be used for each ZBARLED.
MAX CABLE LENGTH	100m

PART CODES	ZBARLED300	ZBARLED1000
MAX LOAD*	300W/VA	1000W/VA
MIN LOAD*	0W/VA	0W/VA

\* Per Dimmer

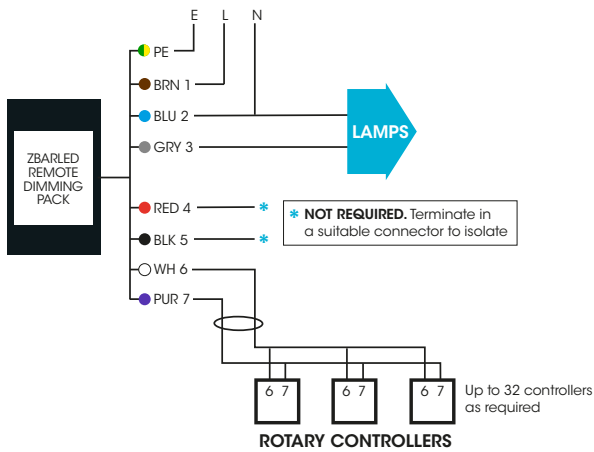
## PROGRAMME LOCKOUT

You have 30 minutes to programme once mains power is turned on.

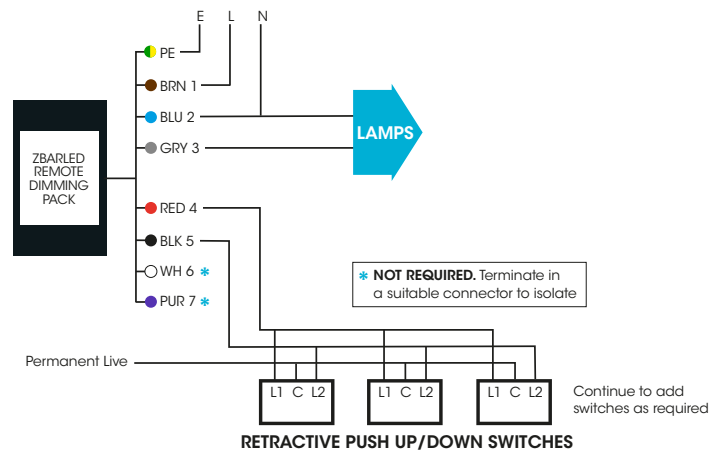
To reset, turn mains power off and wait 10 seconds. Then switch the power back on and start the programming sequence again. All settings will be retained even in the event of a power cut.

**ZBARLED300/ZBARLED1000 DATA SHEET: p2**  
 MADE IN GREAT BRITAIN

### WIRING WITH ZANO ROTARY CONTROLLERS



### WIRING WITH RETRACTIVE PUSH UP/DOWN SWITCHES



### WIRING WITH RETRACTIVE PUSH SWITCHES

