

AQUATru[®]

UNDER SINK

AquaTru 4-Stage Reverse Osmosis System

Owner's Manual **GB**

Gebruikershandleiding NL

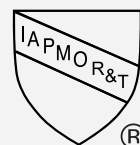
Manuel d'utilisation FR

Benutzerhandbuch DE

Manuale del proprietario IT

Manual de usuario ES

ATU100



This ATU100 system has been certified by IAPMO against NSF/ANSI standard 42, 53, 58, 372, 401 and P473 for the reduction claims specified on the performance data sheet as verified and substantiated by test data and at IAPMO.org

Table of Contents

Safety Instructions	2
Operational Parameters	2
Before Installation	2
Box Contents	3

Installation Steps

AquaTru 4-Stage Reverse Osmosis System Installation Steps	4
Tubing Quick Connect Guide	4
Cold Tap Water Adaptor	5
Drain Saddle Installation	7
RO Faucet Installation	9
Installation of TruPure Holding Tank Sanitizer	10
RO System Location and Mounting	11
RO System Water Connection	11
System Maintenance: Filters	13
System Maintenance	14
FAQ & Troubleshooting	16
Warranty	17
Filter Replacement Records	18

WARNING 

Please read and keep these instructions before proceeding with the installation.

Safety Instructions

- Installation needs to comply with state and local laws and regulations.
- System must be installed indoors.
- Do not use with water that is microbiologically unsafe or of unknown quality without adequate disinfection before the water enters the system.
- Keep the system away from heat sources and direct sunlight.
- This reverse osmosis system contains replaceable treatment components critical for effective reduction of total dissolved solids. The product should be tested periodically to verify that the system is performing satisfactorily.
- This system is intended to be installed under a sink with access to cold tap water and a waste water drain.
- To prevent the possibility of electrical shock, be sure that all electrical appliances and outlets are turned off at the circuit breaker before working in the cabinet area.
- Please wear safety glasses to protect eyes when drilling.

Operational Parameters

- Daily Production Rate: 54 GPD
- Rated Capacity 1,360 litres
- Operating Pressure: 275 - 550 KPa
- Max Total dissolved solids 1500 mg/L
- Maximum hardness 171 mg/l (10 gpg)
- Chlorine < 2 PPM
- PH 3-11
- Turbidity 5 NTU max

Before Installation**Inspect the system:**

Please take all the components out of the box. Inspect all the parts and connection fittings carefully, make sure that nothing was damaged during shipping. If any part is cracked or broken, please do not proceed with the installation. Contact customer service for assistance.

Tools needed for Installation:

- Electric drill
 - Drill bit:
 - 6 mm for the waste water line
 - 20 mm for the RO water faucet
- Adjustable wrench
- Philips screwdriver
- Utility knife or scissors
- PTFE Tape (often referred to as "plumber's tape" or "Teflon® tape")

Qualified Installers

- Using a qualified installer is recommended.
- Proper installation is the responsibility of the installer.
- Product failure due to improper installation is not covered under the warranty.

Box Contents



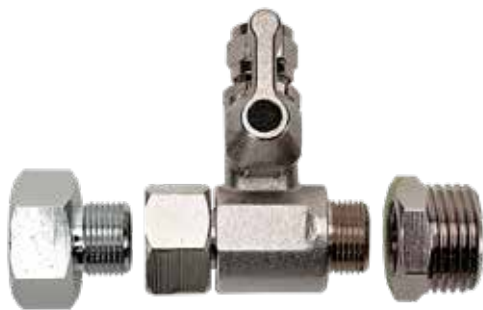
Filter manifold and 3 filters
(PRE/Carbon Filter, RO Filter & VOC Filter)



RO holding tank



RO water faucet



Cold tap water adaptor with 3/8" adaptor and a 1/2" conversion thread



Drain saddle for waste water for 3.8 cm inch drain line



RO faucet quick connect fitting (with clear gasket)



RO holding tank valve



Installation gasket

TruPure holding tank sanitizer (installation gasket inside the chamber)



Filter manifold installation hardware

AquaTru 4-Stage Reverse Osmosis System Installation Steps

Installation will be a breeze, since most of the parts are already assembled. We will guide you through the rest with the following steps:

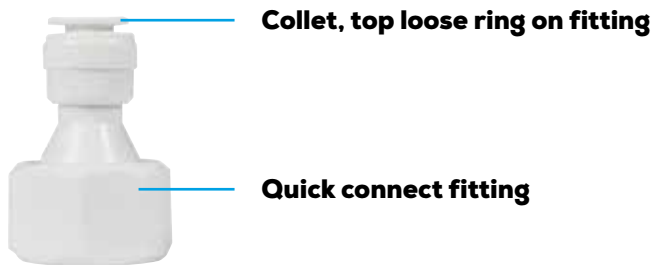
1. How to use the quick connect fittings
2. Fitting the cold tap water adaptor
3. Mounting the drain saddle for RO waste water
4. Installation of the RO faucet
5. Connecting the TruPure holding tank sanitizer
6. Location and installation of the RO water system
7. Making all of the required water connections
8. System startup
9. System maintenance

It is important that you follow these steps in the order listed above to minimize any potential installation issues.

STEP 1 Tubing Quick Connect Guide

1

The tube connection in your RO system uses a Quick Connect locking mechanism to lock the tubing in place. Be careful not to damage your tubing when you unpack it. Tubing that is bent at the end or has other damage will not seal and leak water. If your tubing arrives damaged, please contact customer service for assistance.

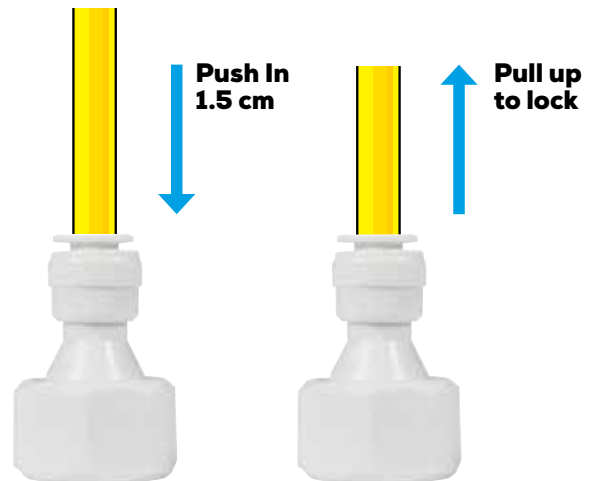


Attached Tubing:

Push tubing in straight and level with the Collet.

The tubing will go in 1.5 cm into the Collet before the lock is activated.

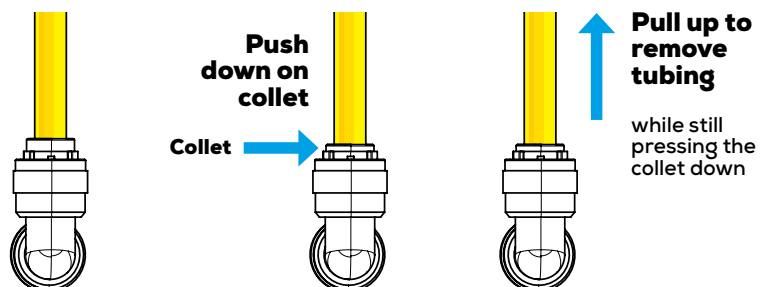
Pull on the tube to make sure the lock has activated and the tubing is secure.



Release Tubing:

Push and hold the Collet in to release the lock while pulling out on it.

Collet must be held down while pulling up on the tube to release the tube.



STEP
2

Cold Tap Water Adaptor

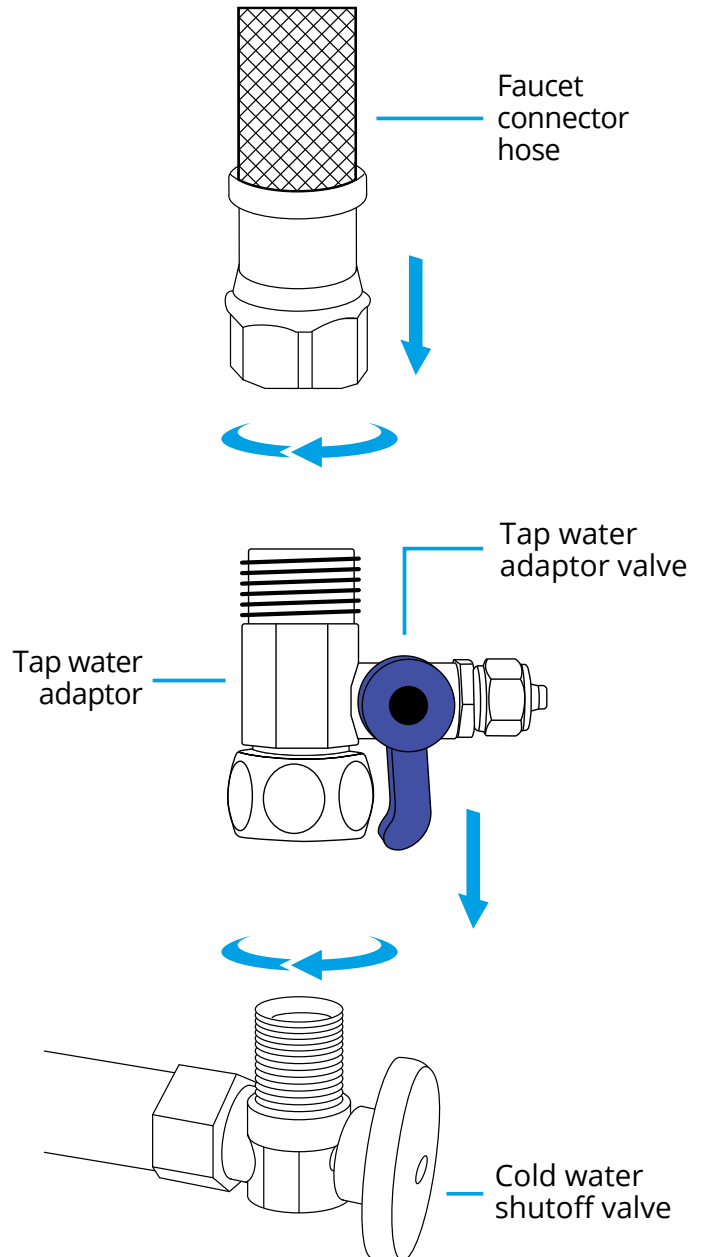
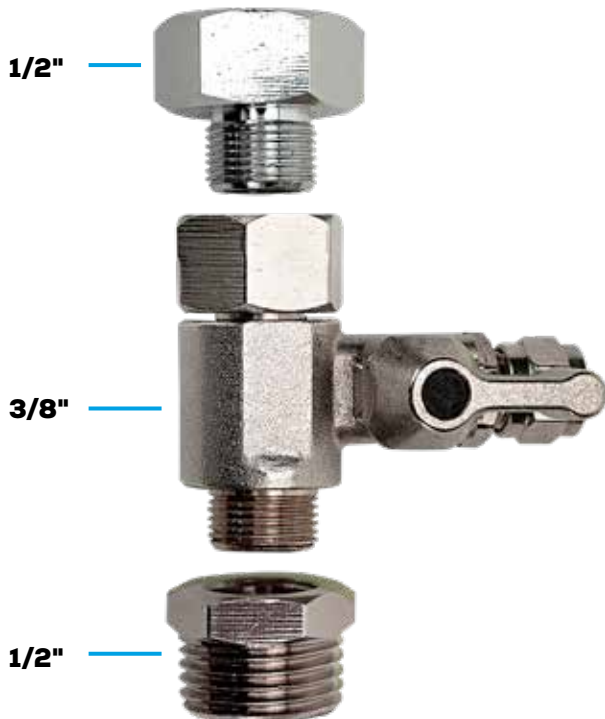
WARNING

The water supply to the unit **MUST** be from the cold water line. Hot water will severely damage your RO system.

Locate the cold water valve underneath the sink, and turn it off. Next, open the cold water handle on your sink to release the pressure. Check to make sure the water has stopped flowing before proceeding.

Note: On single handle faucets, the hot water may have to be turned off to prevent hot water crossover during installation. If water continues to come out of the faucet with the cold and hot water valve turned off, the main water supply must be turned off as well.

If the valve does not fit on the cold water shut off valve, a second option is to install the valve on the end of the faucet connector hose that connects with the kitchen faucet.



Note: The AquaTru Under Sink RO System comes with a 3/8" cold tap water adaptor that has a 1/2" conversion thread. Based on your plumbing needs, you may need to use the additional conversion thread.

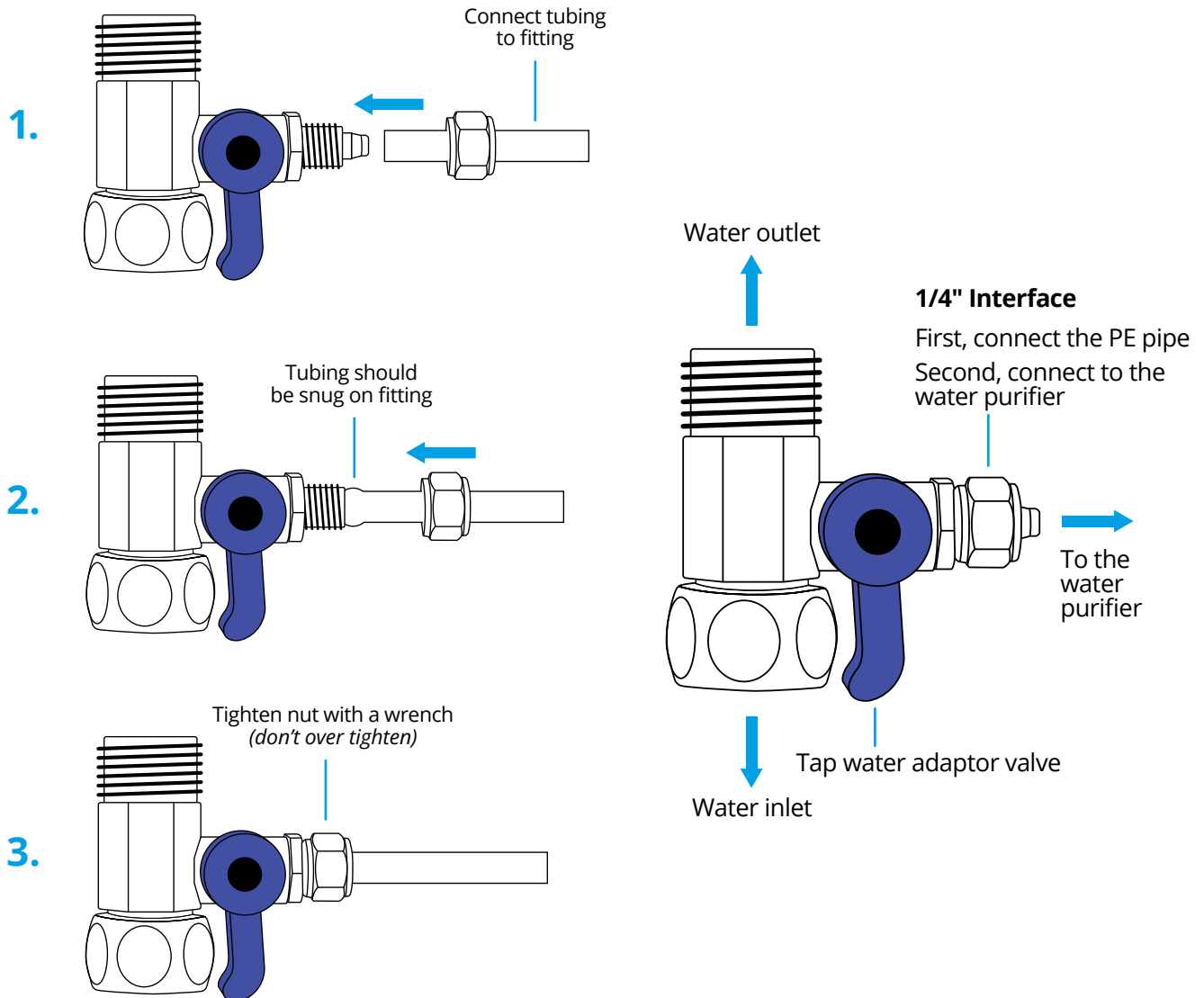
STEP
2

Cold Tap Water Adaptor

Before mounting onto the tap water line, connect the white tubing to the end of the adaptor and then install the adaptor. The AquaTru Under Sink RO system comes with a 3/8" adaptor that has a 1/2" conversion thread. Please use the appropriate adaptor size based on your plumbing needs.

After connecting the white tubing to the cold tap water adaptor, give it a pull to make sure it is secure on the adaptor. Wrap the cold water line shutoff valve with **plumber's tape** and then wrap the male thread on the cold tap water adaptor with **plumber's tape**.

First, install the adaptor to the cold water valve, then install the faucet connector hose to the adaptor.

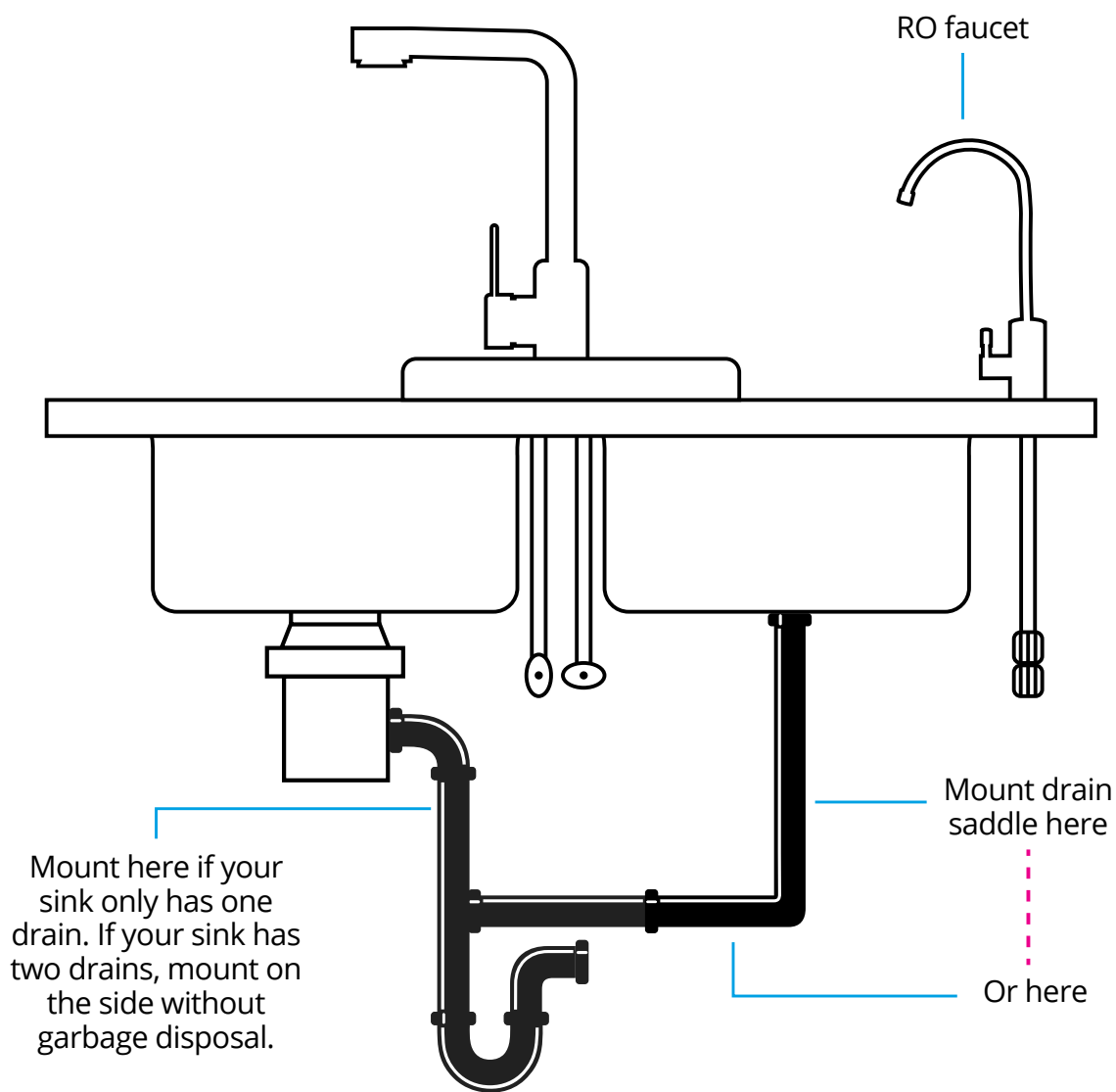


STEP
3

Drain Saddle Installation

Caution

To avoid possible drainage noise, mount the drain saddle as low as possible onto the vertical tailpiece. The drain saddle assembly should be installed above the trap and on the vertical or horizontal tailpiece.



STEP
3

Drain Saddle Installation

Mark the position of the hole on the drain pipe and drill a 6 mm hole through one side of the drain pipe. There is a piece of self-adhesive sponge provided. Glue this sponge to the inside of the saddle, this will cushion any gap between the saddle and the pipe.

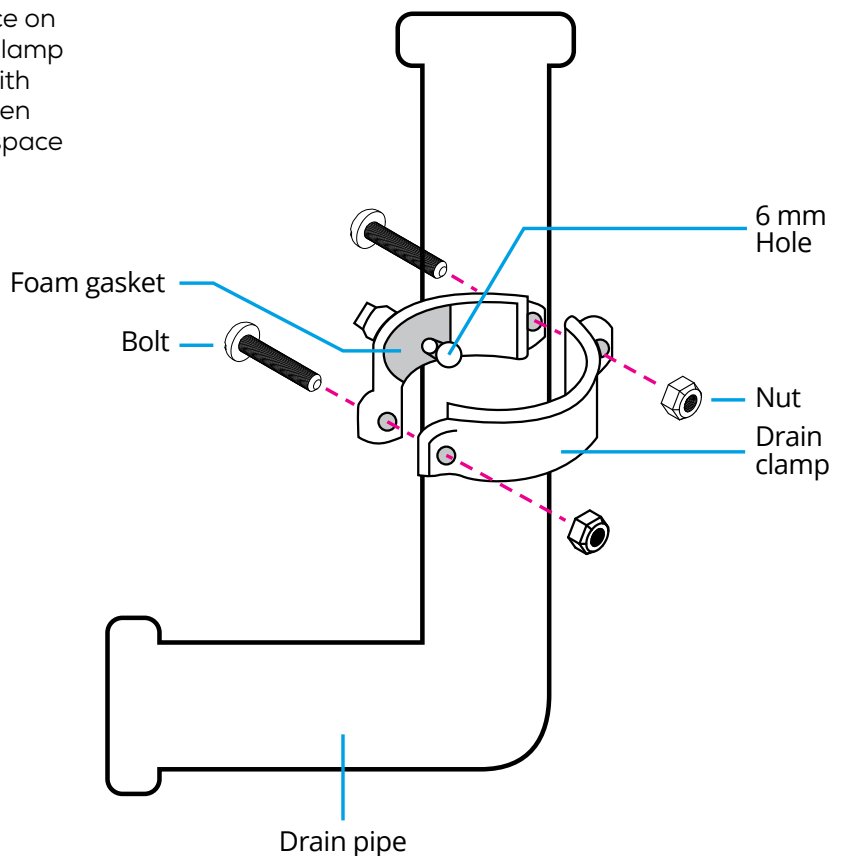
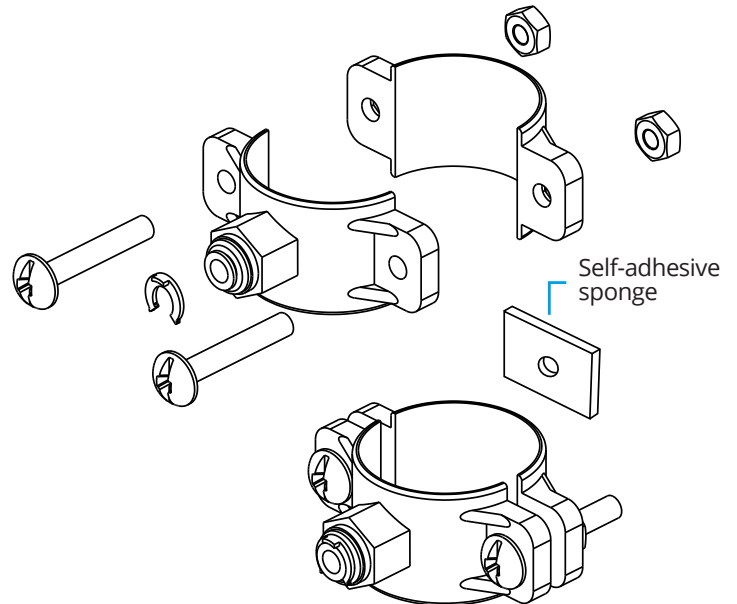
Make sure the hole on the sponge is thoroughly punched out, and align it to the hole in the saddle.

Take the half side of the saddle without the foam and insert a nut into the recess on each side.

Position both halves of the saddle on the drain pipe with the saddle's opening aligned over the drilled hole. The foam gasket will be between the drain saddle and the drilled hole.

Tip: To ensure the hole on the drain saddle is aligned with the hole in the drain pipe, insert the drill bit into the drain saddle and use the drill bit to align the two holes as you assemble the drain saddle onto the drain pipe.

Secure the drain clamp halves together in place on the drain pipe. Screw bolts through the drain clamp half with the foam gasket and the other half with the two nuts installed. Do not over tighten. When tightening the bolts, make sure there is equal space on both sides between the drain saddles.



STEP 4

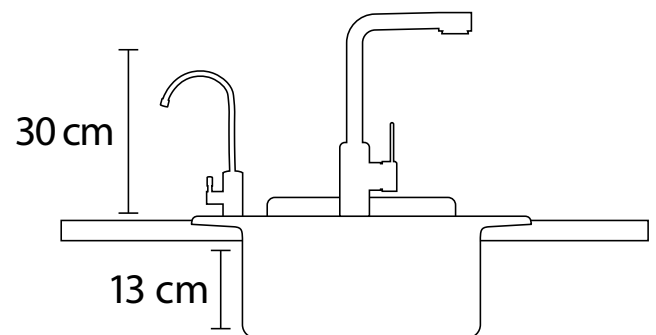
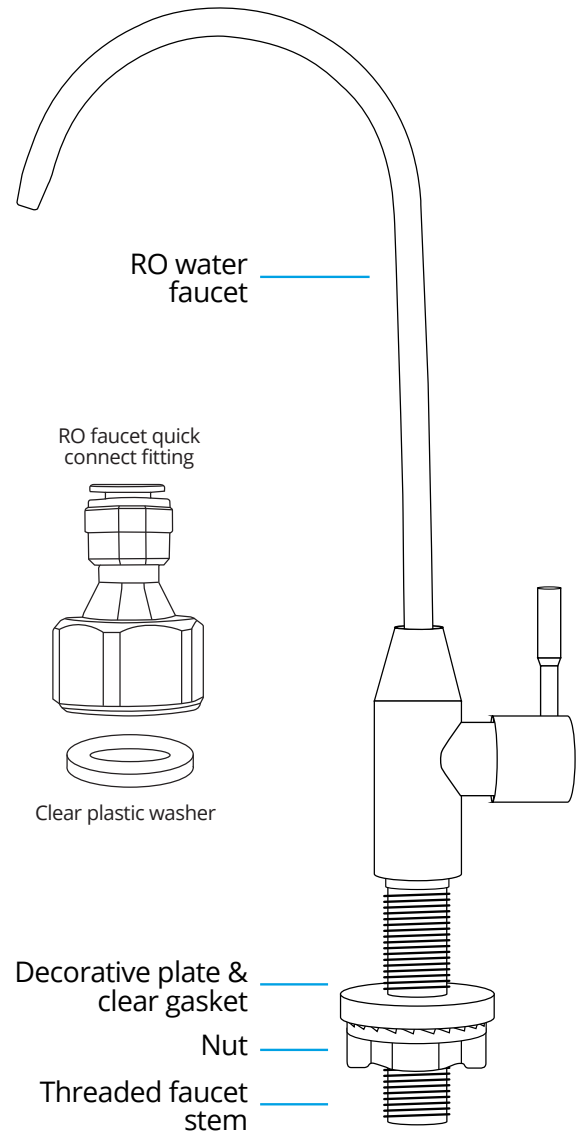
RO Faucet Installation

The RO faucet may be installed on any flat surface. Check the underside of your install location for interference by making sure that drilling a hole will not damage any pipes or wiring underneath the countertop of the sink. Check to be sure there is enough room for the threaded faucet stem and nut.

Note: For drilling, you must use an appropriate drill bit and drilling method for the material of your sink and or countertop. Different drill bits are required for stainless steel, porcelain, marble, etc.

You may use an existing hole in your counter or sink or drill a new hole (**if using an existing hole begin at step 2**). Make sure the faucet decoration plate and nut plate are big enough to cover the hole you use.

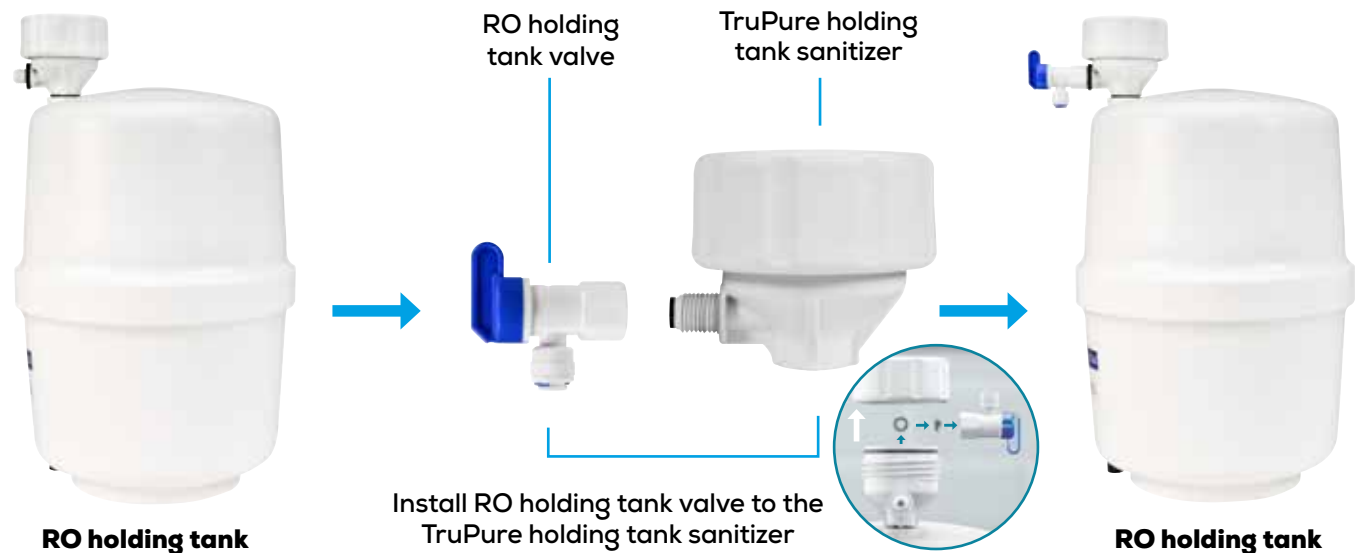
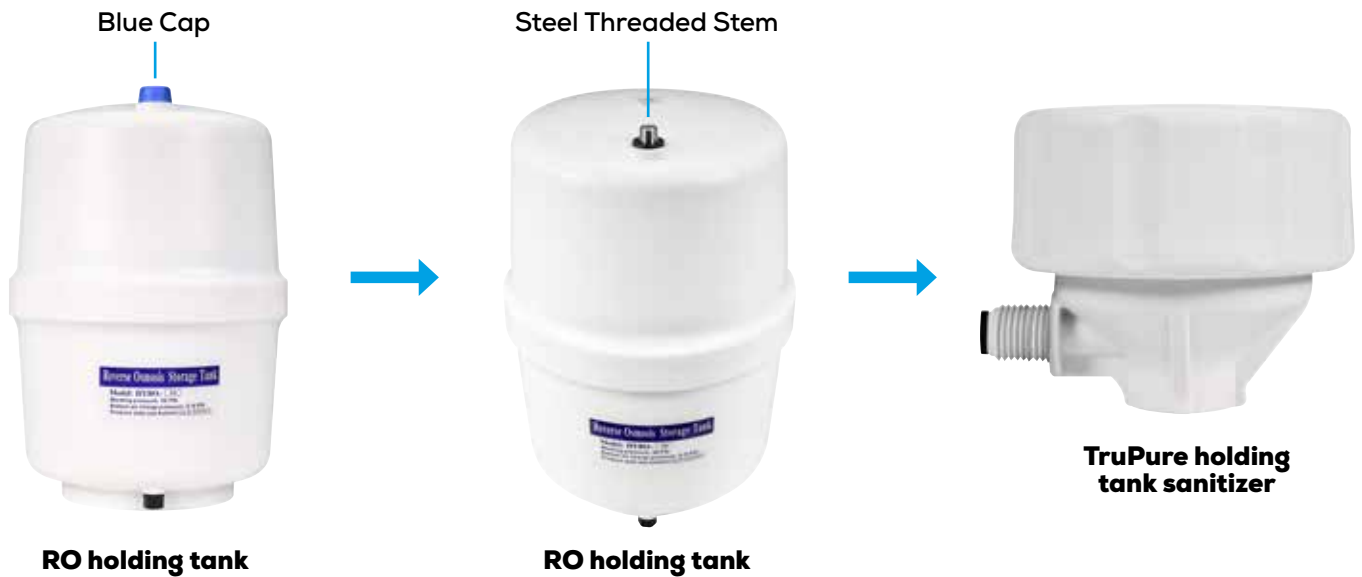
1. Drill a **20 mm** hole using an appropriate drill bit and drilling method for the material.
2. Remove the plastic nut from the threaded faucet stem.
3. Insert the threaded faucet stem through the newly drilled or pre-existing hole, making sure the decorative plates and clear gasket stay on the threaded stem and that they completely cover the hole when installed.
4. Under the sink, install the plastic nut on the threaded faucet stem, making sure the gasket that comes with the fitting is seated inside the fitting. Hand tighten it. Make sure the faucet does not move and the top decorative plate covers the hole.
5. Install the RO faucet quick connect fitting to the threaded stem. First, wrap plumber's tape around the thread. Make sure the clear washer is fully seated inside the quick connect fitting. Screw the fitting onto the threaded stem. Hand tighten with an adjustable wrench. **Do not overtighten.**



STEP 5

Installation of TruPure Holding Tank Sanitizer

1. Unscrew the blue cap from the RO holding tank.
2. Wrap the plumber's tape around on the stainless steel threaded stem of the RO holding tank.
3. Screw the TruPure holding tank sanitizer onto the holding tank, hand tighten.
4. Remove the black gasket inside the TruPure holding tank sanitizer. Insert this gasket inside the holding tank valve.
5. Wrap plumber's tape on the male thread of the TruPure holding tank sanitizer and screw the RO holding tank valve onto the TruPure sanitizer's threaded stem, hand tighten.



Note: Remove the black gasket that is inside the TruPure holding tank sanitizer and insert it into the RO holding tank valve before installing it on the sanitizer.

STEP
6

RO System Location and Mounting

Install the three filters into the filter manifold in accordance to the filter color code. Locate the area under your sink where you want to install the RO system, (RO manifold with filters and RO holding tank).

Note: The filter manifold can be mounted on a cabinet wall.

Helpful Hint: Write the date of filter installation with a permanent marker on the filter body, or use our helpful Filter Replacement Records chart on the last page of this manual, so you can easily identify when to replace the filters.

The **Pre-Filter** should be replaced every **6 months**

The **VOC Filter** is replaced every **12 months**

The **RO Filter** is replaced every **24 months**

The **VOC Carbon with PH+ Mineral Boost Filter** is replaced every **12 months**

Caution

Before mounting the filter manifold on a cabinet wall, make sure it can support the weight of the filters and manifold and the wall is thick enough to accommodate the mounting screws. If the mounting screws are too long, we recommend that you buy shorter screws at your local hardware store.

STEP
7

RO System Water Connection

After you have located the optimal location for your filters and RO holding tank, you will need to cut the 60 mm tubing to the correct length using the diagram below. Cut the tubing using a sharp utility knife. Make sure not to bend or damage the tubing.

Connection Point:

**A to B**

Connect the white tubing from the tap water adaptor valve point **A** to the quick connect fitting marked **B** - marked **"Cold Supply"** on the filter manifold.

**C to D**

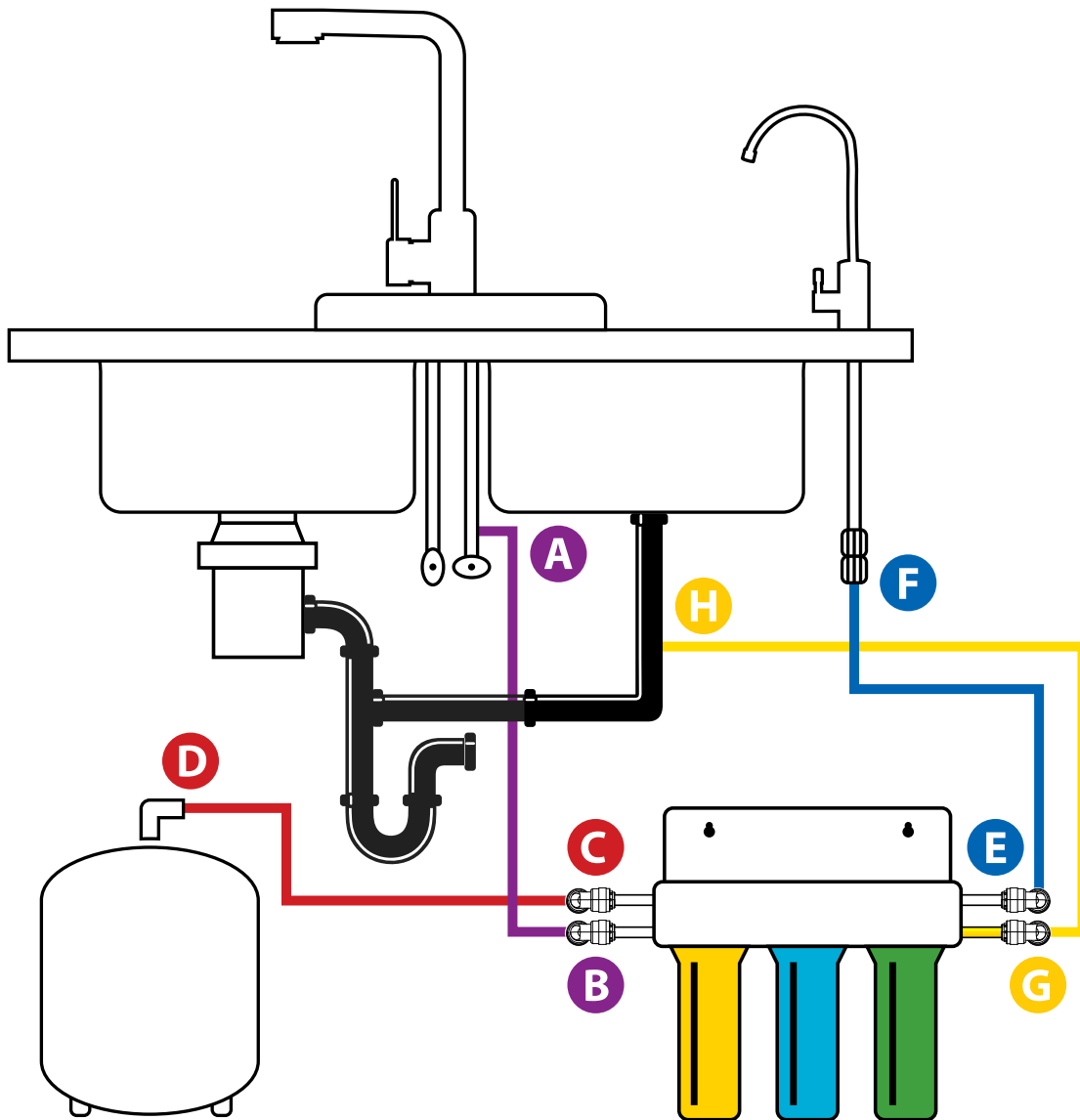
Connect the white tubing to the quick connect fitting **C** - marked **"Holding Tank"** on the filter manifold, then connect the other end to the holding tank valve **D**.

**E to F**

Connect the white tube to the quick connect fitting **E** - marked **"Water Faucet,"** on the filter manifold, then connect the other end to the RO water faucet quick connect fitting **F**.

**G to H**

Connect the yellow tube to the quick connect fitting marked **"Drain" - G** on the filter manifold, then connect the other end to the drain saddle valve **H**.



- Cold Water Supply
- Holding Tank
- RO Water Faucet
- Drain

STEP

8

System Maintenance: Filters

Turn on the tap water:

Slowly turn on your cold water supply, then open the tap water adaptor valve, (turn counterclockwise) to allow untreated water to enter the system.

CHECK FOR LEAKS!

Open RO holding tank valve:

Open the tank's ball valve to allow water to enter the tank. **The tank's valve is "ON" when the valve handle is parallel (in the same direction) with the valve outlet.**

CHECK FOR LEAKS!

Wait for the tank to fill:

Before usage, fill the RO holding tank and empty it completely two times. Allow 2 to 3 hours for the tank to fill. When the tank is filled, the RO system will shut off automatically.

CAUTION:

When the unit is first filled with water, some tiny black particles are flushed out of the carbon filter. It's important that you fill the RO holding tank and empty it out 2 times before consuming the water.

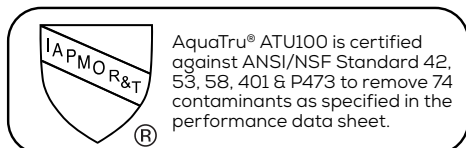
Drain Tank:

Open the RO water faucet to drain the tank. Let the tank drain completely before closing the lever.

CHECK FOR LEAKS!

Make sure there is no leaking at the joint, fitting, valve and tubing connections.

END OF INSTALLATION



System Maintenance

Filter Change:

The RO system contains three filters that must be replaced at regular intervals to maintain performance. **Use only genuine AquaTru filters.** The three filters are:

- **Pre-Filter (AT2001)** should be replaced every 6 months or every 2270L, whichever comes first.
- **VOC Filter (ATU2003)** is replaced every 12 months or every 1360L, whichever comes first.
When replacing this filter we recommend that you also sanitize the holding tank.
See Sanitize RO holding tank before proceeding.
- **RO Filter (AT2002)** is replaced every 24 months or every 4540L, whichever comes first.
When replacing this filter, we recommend that you also sanitize the holding tank.
See Sanitize RO holding tank before proceeding.
- **Optional VOC Carbon with PH+ Mineral Boost Filter (ATU2004)** is replaced every 12 months or 1360L, whichever comes first.

Sources of supply for replacement components: Aquatruwater.eu / Aquatru.co.uk

Tips before you start:

1. Ensure the service area is free of any excess dirt or dust in order to not cross contaminate parts.
2. Wash hands with soap and water and/or wear sanitary gloves.

How to Change Your Filters

1. Turn off the cold water supply line.
2. Empty the RO holding tank by opening the RO water faucet.
3. Remove the filter to be replaced.
Helpful Hint: The filter can pivot out of the base to make it easier to unscrew.
4. Install the new filter, making sure that the filter is fully installed.
Helpful Hint: Write the date of filter installation with a permanent marker on the filter body, or use our helpful Filter Replacement Records chart on the last page of this manual, so you can easily identify when to replace the filters.
5. Close the RO water faucet.
6. Open the cold tap water supply line.

CHECK FOR LEAKS!

7. After the RO holding tank has been completely filled, empty it to flush out the filter before consuming.
8. Refill the RO holding tank.

System Maintenance: Sanitizing the RO Holding Tank

Sanitize RO holding tank:

The RO system should be sanitized once a year. We recommend that you do the sanitizing process each time you replace the VOC filter, every 12 months. You should complete the sanitizing process **before** you replace the VOC filter. Please do the following.

For best results – We recommend that you use 15 ml of household bleach. To ensure that the tanks get sterilized, check that the bleach hasn't expired. If it has expired, buy new bleach.

Tips before you start:

1. Make sure you have sanitizing solution and a new VOC filter.
2. Ensure the surface area is free of any excess dirt or dust in order to not cross contaminate parts.
3. Wash hands with soap and water and/or wear sanitary gloves.

How to Sanitize Your RO Holding Tank

1. Turn off the cold water supply line to the RO system.
2. Open the RO water faucet, and drain the water out of the RO holding tank. Before proceeding, make sure that the tank is completely empty.
3. Unscrew the top cap of the TruPure holding tank sanitizer. **Note: If the tank is not completely empty, the RO holding tank and sanitizer is pressurized and will spray water when opened.**
4. Pour 15 ml of bleach into the tank sanitizer. If there is too much water in the sanitizer to add bleach, pour the water out before adding the bleach.
5. Reconnect the top cap on the tank sanitizer, make sure that it is on tight.
6. Turn off the RO water faucet.
7. Turn on the cold water supply line for the system to fill the RO system.

CHECK FOR LEAKS!

8. Allow 2 hours for the RO holding tank to completely fill.
9. Empty the RO holding tank by opening the RO water faucet.
10. Refill the RO holding tank again and close the cold water supply line.
11. Empty the RO holding tank.
12. Replace the VOC filter and other filters as needed.

Helpful Hint: Write the date on the filter you replaced and notate it in our helpful Filter Replacement Records chart on the last page of this manual, so you can easily remember when it needs to be replaced again.

13. After replacing a filter, run two full tanks of water through the filter and drain the water out before consuming the water.
14. Should you have any further questions please refer to our websites at aquatruwater.eu, aquatru.co.uk or call our customer service department at +31 (0)24 20 22 195.

CHECK FOR LEAKS!

FAQ & Troubleshooting

PROBLEM	CAUSE	SOLUTION
Low / slow production It takes longer than 3 hours to fill the tank	Low water pressure	<p>Make sure the water supply is turned on and the valve is all the way open.</p> <p>Tap water pressure should be at a minimum of 275 kPa. If your home does not have 275 kPa, we suggest replacing your under sink purifier with an AquaTru countertop model that comes with a built-in pump.</p>
	Crimps in tubing	Check tubing and straighten and replace as needed.
	Clogged filters	If the production rate previously was high but it has gone down significantly over a period of months, you should replace the Pre-Filter and RO Filter.
Low water flow from the faucet	Check the air pressure in the tank	The RO holding tank should have a pressure of 6 to 8 PSI when empty. Use a pressure gauge and pump with a Schrader valve connector to refill the tank.
	RO holding tank valve	Make sure that the holding tank valve is fully open.
	Check for sanitization gasket in sanitizer	The TruPure Holding Tank Sanitizer is shipped with the gasket stored inside the sanitizer. Before installing, unscrew the sanitizer to access the small bag inside that holds the gasket, and use that gasket when installing the RO holding tank valve.
Small amount of water in the tank	System startup	<p>Normally it takes about 2 hours to fill one tank.</p> <p>Note: Low incoming water pressure and water temperature can drastically reduce the water production rate.</p>
	Low water pressure	Tap water pressure should be at a minimum of 275 kPa. If your home does not have 275 kPa we suggest replacing your under sink purifier with an AquaTru countertop model that comes with a built-in pump.
	Too much air in the holding tank	The RO holding water tank should have a pressure of 55 kPa when empty. Use a pressure gauge to check the pressure. If the reading is higher than 55 kPa, let air out using the Schrader valve on the bottom of the tank.

FAQ & Troubleshooting

PROBLEM	CAUSE	SOLUTION
Leaks from filter manifold	Filter not fully installed, or O-ring is damaged	<p>Check that the filter is fully installed.</p> <ol style="list-style-type: none"> 1. Depressurize the filters by turning off the tap water supply line and then turning off the RO holding tank valve.” 2. Turn off the tap water supply line. 3. Turn off the RO holding tank valve. 4. Open the RO faucet. When water stops flowing from the faucet, it is safe to remove each filter. 5. Inspect O-ring. 6. Reinstall the filters making sure they are fully inserted. 7. Repressurize the system.
Water leaks	A gasket is not fully sealing	Depressurize the system and remove all water from the tank. Remove the item that is leaking and inspect the gasket to make sure it is free of any defects. If the leak is from a thread, apply new plumber’s tape and then reinstall the components, making sure you tighten in accordance with the manual.

Two-Year Limited Warranty

Your AquaTru water purifier is warranted to be free from defects in materials and workmanship for two years from the original purchase date. Should the product have a defect in materials or workmanship, we will repair or replace it without charge to you (a shipping and processing fee will apply). **Warranty does not include filters or storage tank.** To obtain service under warranty, simply call our customer service at **+31 (0)24 20 22 195**.

This warranty does not cover filters, damage caused by accident, misuse or any use other than as intended and described in this product manual, or damage resulting from failure to maintain and clean this product as also specified in this product manual. This warranty applies only to the original purchaser of the AquaTru water purifier.

ALL EXPRESS AND IMPLIED WARRANTIES FOR THIS PRODUCT, INCLUDING IMPLIED WARRANTIES OF MERCHANTABILITY AND FITNESS FOR A PARTICULAR PURPOSE, ARE LIMITED IN DURATION TO THE WARRANTY PERIOD, AND NO WARRANTIES, WHETHER EXPRESS OR IMPLIED, WILL APPLY AFTER THIS PERIOD.

Some countries do not allow limitations on the duration of implied warranties, so the above limitation may not apply to you. While this warranty gives you specific legal rights, you may also have other rights which vary from country to country.

Contact Info for Warranty Service:

AquaTru Water B.V.
 Groesbeekseweg 22 6524 DB Nijmegen
 The Netherlands info@aquatruwater.eu

AQUATru®

Aquatruwater.eu
Aquatru.co.uk

©2024 AquaTru® LLC. All Rights Reserved.

Filter Replacement Records

1 Pre/Carbon Filter	2 RO Filter	3 VOC Filter
Date:	Date:	Date:
Date:	Date:	Date:
Date:	Date:	Date:
Date:	Date:	Date:
Date:	Date:	Date:
Date:	Date:	Date:
Date:	Date:	Date:
Date:	Date:	Date:
Date:	Date:	Date:
Date:	Date:	Date:
Date:	Date:	Date:
Date:	Date:	Date:
Date:	Date:	Date:
Date:	Date:	Date:
Date:	Date:	Date:
Date:	Date:	Date:
Date:	Date:	Date:
Date:	Date:	Date:
Date:	Date:	Date:
Date:	Date:	Date:
Date:	Date:	Date:

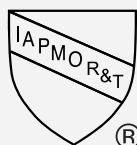
AQUATru[®]

UNDER SINK

AquaTru 4-traps Omgekeerde Osmose-Systeem

Owner's Manual	GB
Gebruikershandleiding	NL
Manuel d'utilisation	FR
Benutzerhandbuch	DE
Manuale del proprietario	IT
Manual de usuario	ES

ATU100



Dit ATU100 systeem is gecertificeerd door IAPMO volgens NSF/ANSI standaard 42, 53, 58, 372, 401 en P473 voor de reductieclaims die zijn gespecificeerd op het prestatiegegevensblad, zoals geverifieerd en ondersteund door testgegevens en op IAPMO.org.

Inhoudsopgave

Veiligheidsinstructies	2
Operationele parameters	2
Vóór de installatie	2
Inhoud doos	3

Installatiestappen

AquaTru 4-traps Omgekeerde Osmose-Systeem installatiestappen	4
Snelkoppelingsgids voor slangen	4
Adapter voor koud kraanwater	5
Installatie van afvoerkanalen	7
Installatie van RO-kraan	9
Installatie van TruPure reinigingssysteem voor vuilwatertanks	10
Locatie en montage van het RO-systeem	11
RO-systeem wateraansluiting	11
Systeemonderhoud: Filters	13
Systeemonderhoud	14
FAQ & probleemoplossing	16
Garantie	17
Filtervervangingsgegevens	18

WAARSCHUWING

Lees en bewaar deze handleiding voordat u verder gaat met de installatie.

Veiligheidsinstructies

- De installatie moet aan de staats- en plaatselijke wetten en voorschriften voldoen.
- Het systeem moet binnenshuis worden geïnstalleerd.
- Gebruik geen water dat microbiologisch onveilig of van onbekende kwaliteit is zonder adequate desinfectie voordat het water het systeem ingaat.
- Houd het systeem uit de buurt van warmtebronnen en direct zonlicht.
- Dit omgekeerde osmose-systeem bevat vervangbare behandelingscomponenten die essentieel zijn voor een effectieve vermindering van de totale hoeveelheid opgeloste vaste stoffen. Het product moet regelmatig getest worden om er zeker van te zijn dat het systeem goed werkt.
- Dit systeem is bestemd voor installatie onder een wastafel met toegang tot koud leidingwater en een afvoer voor afvalwater.
- Om de kans op elektrische schokken te voorkomen, moet u ervoor zorgen dat alle elektrische apparaten en stopcontacten zijn uitgeschakeld met de stroomonderbreker voordat u in de kast gaat werken.
- Draag tijdens het boren een veiligheidsbril om uw ogen te beschermen.

Operationele parameters

- Dagelijkse productiesnelheid: 54 GPD
- Beoordeelde capaciteit 1.360 liter
- Werkdruk: 275 - 550 KPa
- Max. totaal opgeloste vaste stoffen 1500 mg/L
- Maximale hardheid 171 mg/l (10 gpg)
- Chloor < 2 PPM
- PH 3-11
- Troebelheid max. 5 NTU

Vóór de installatie

Controleer het systeem:

Haal alle onderdelen uit de doos. Inspecteer alle onderdelen en verbindingstukken zorgvuldig en controleer of er tijdens het transport niets beschadigd is. Als een onderdeel gebarsten of gebroken is, ga dan niet verder met de installatie. Neem contact op met de klantenservice voor assistentie.

Gereedschap dat nodig is voor de installatie:

- Elektrische boormachine
Boorpunt:
 - 6 mm voor de afvalwaterleiding
 - 20 mm voor de RO-waterkraan
- Verstelbare sleutel
- Kruiskopschroevendraaier
- Hobbymes of schaar
- PTFE-tape (vaak "loodgietersband" of "Teflon® tape" genoemd)

Gekwalificeerde installateurs

- Het gebruik van een gekwalificeerde installateur wordt aanbevolen.
- De installateur is verantwoordelijk voor de juiste installatie.
- Productstoringen als gevolg van onjuiste installatie vallen niet onder de garantie.

Inhoud doos



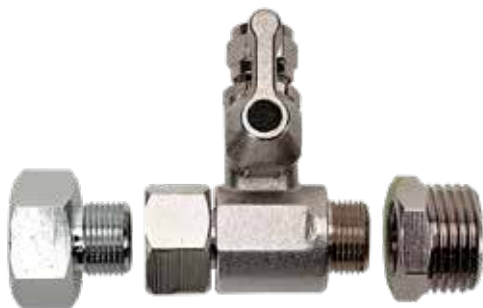
Filterverdeler en 3 filters
(PRE/Koolstoffilter, RO-filter & VOC-filter)



RO-vuilwatertank



RO-waterkraan



Adapter voor koud leidingwater met 3/8" adapter en een 1/2" conversieschroefdraad



Afvoerkanaal voor afvalwater voor 3,8 cm inch afvoerleiding



Snelkoppeling RO-kraan (met doorzichtige pakking)



RO-afsluiter vuilwatertank



Installatie pakking



TruPure additief voor vuilwatertank (installatiepakking in de kamer)



Montagehardware filterspruitstuk

AquaTru 4-traps Omgekeerde Osmose-Systeem Installatiestappen

De installatie is een fluitje van een cent, omdat de meeste onderdelen al gemonteerd zijn. Wij begeleiden u bij de rest met de volgende stappen:

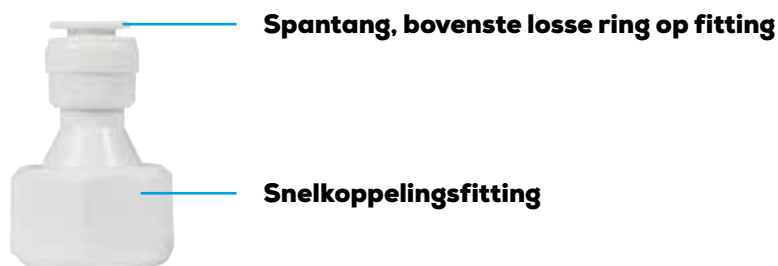
1. De snelkoppelingen gebruiken
2. De adapter voor koud leidingwater monteren
3. Afvoerkanaal voor RO-afvalwater monteren
4. Installatie van de RO-kraan
5. Het TruPure-ontsmettingsmiddel voor vuilwatertanks aansluiten
6. Locatie en installatie van het RO-watersysteem
7. Alle vereiste wateraansluitingen uitvoeren
8. Systeem opstarten
9. Systeemonderhoud

BHet is belangrijk dat u deze stappen in de bovenstaande volgorde uitvoert om mogelijke installatieproblemen tot een minimum te beperken.

STAP
1

Snelkoppelingsgids voor slangen

De slangaansluiting in uw RO-systeem maakt gebruik van een Quick Connect vergrendelingsmechanisme om de slang op zijn plaats te houden. Pas op dat u uw slang niet beschadigt wanneer u deze uitpakt. Slangen die aan het uiteinde gebogen zijn of andere schade hebben, zullen niet goed zegelen en water lekken. Als uw slang beschadigd aankomt, neem dan contact op met de klantenservice voor hulp.



Bijgevoegde slang:

Duw de slang er recht en horizontaal met de spantang in.

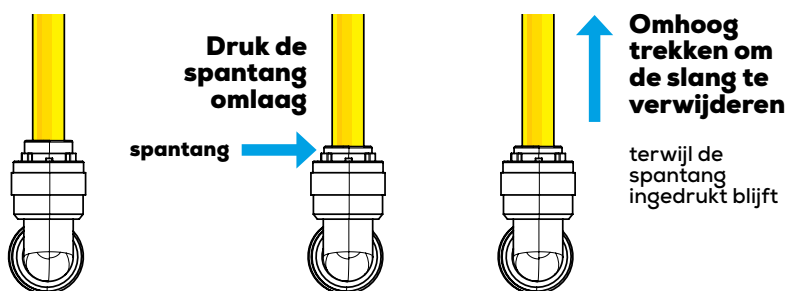
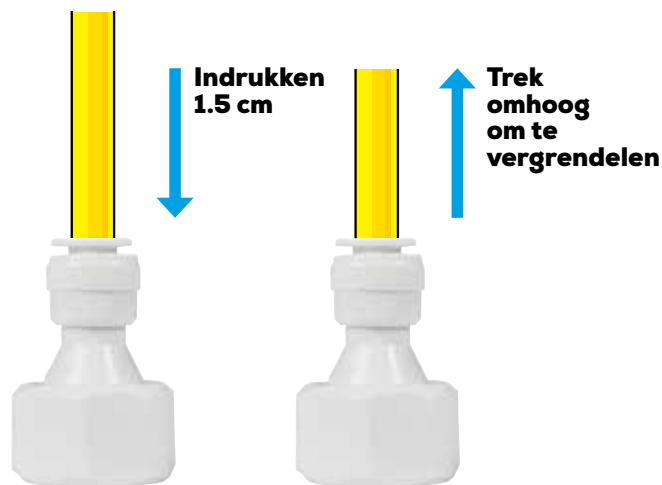
De slang gaat 1,5 cm de spantang in voordat de vergrendeling geactiveerd wordt.

Duw de slang er recht en horizontaal met de spantang in.

Slang loslaten:

Duw de spantang in en houd hem vast om de vergrendeling los te maken terwijl u hem uittrekt.

De spantang moet ingedrukt worden gehouden terwijl u de slang omhoog trekt om de slang los te maken.



STAP
2

Adapter voor koud leidingwater

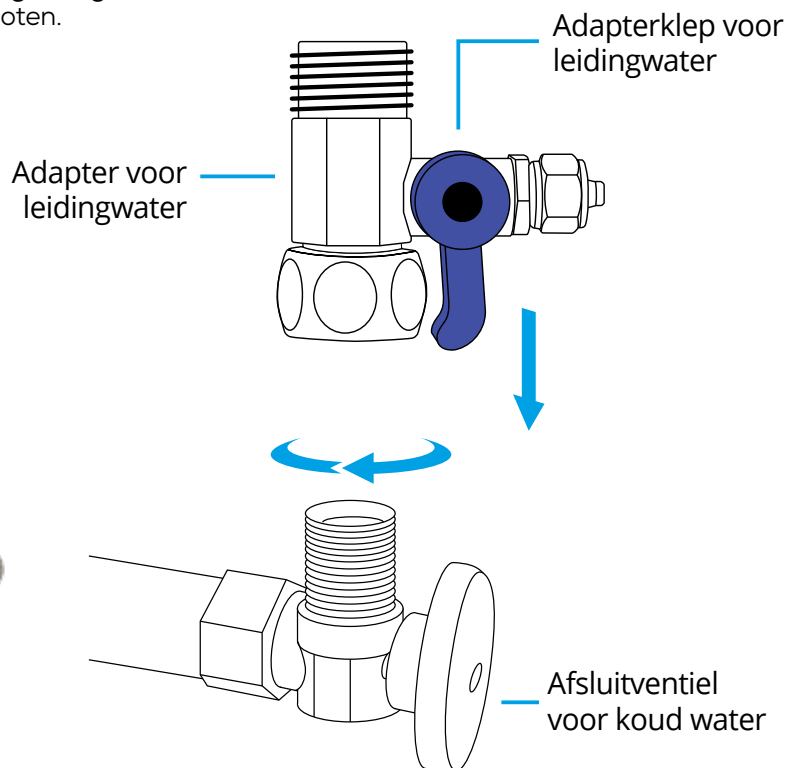
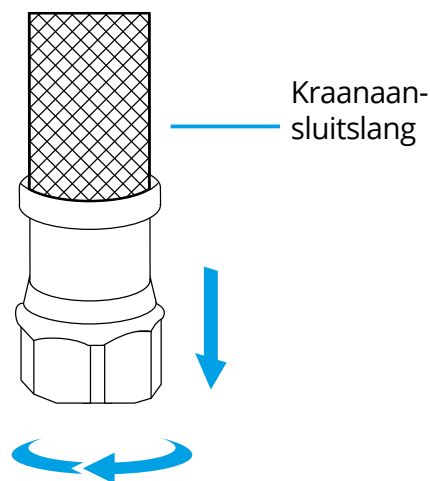
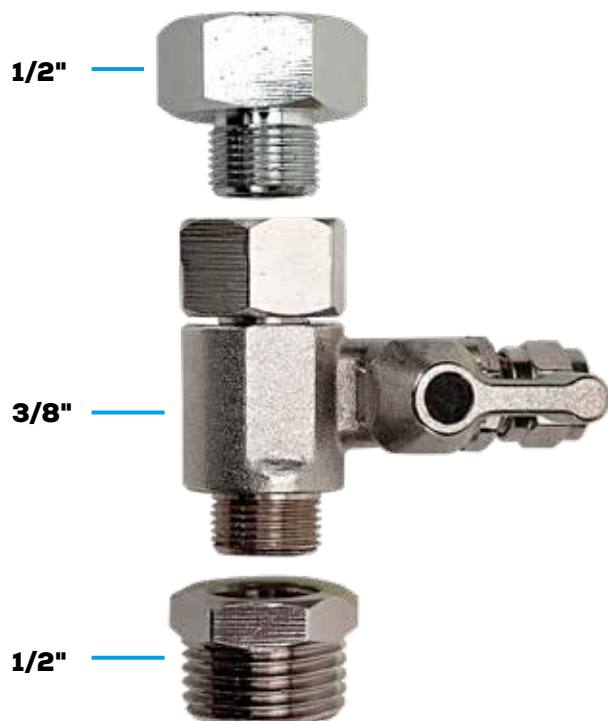
WAARSCHUWING

De watertoevoer naar het apparaat **MOET** via de koudwaterleiding lopen. Heet water zal uw RO-systeem ernstig beschadigen.

Zoek de koudwaterkraan onder de wastafel en draai deze dicht. Open vervolgens het handvat voor koud water op uw wastafel om de druk te laten ontsnappen. Controleer of het water is gestopt met stromen voordat u verdergaat.

Opmerking: Bij eengreepskranen kan het nodig zijn om het warme water af te sluiten om te voorkomen dat er tijdens de installatie warm water wordt gekruist. Als er water uit de kraan blijft komen terwijl de koud- en warmwaterkraan dichtgedraaid zijn, moet de hoofdwatertoevoer ook dichtgedraaid worden.

Als de klep niet op de koudwaterafsluiter past, is een tweede optie om de klep op het uiteinde van de verbindingsslang te installeren die op de keukenkraan wordt aangesloten.



Opmerking: Het AquaTru RO-systeem voor onder de wastafel wordt geleverd met een 3/8" adapter voor koud leidingwater met een 1/2" conversieschroefdraad. Afhankelijk van uw loodgietersbehoeften kan het nodig zijn om de extra conversiedraad te gebruiken.

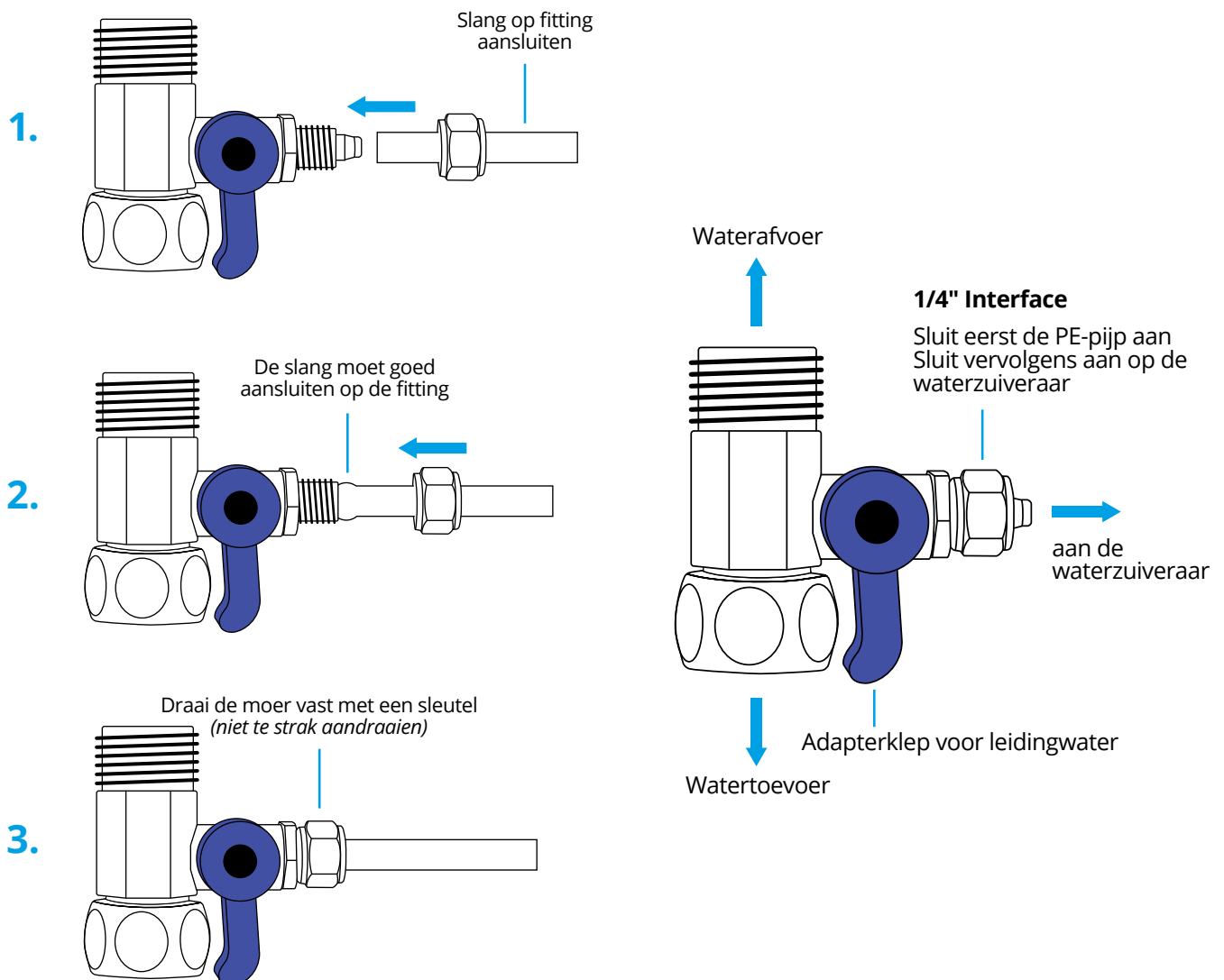
STAP
2

Adapter voor koud kraanwater

Sluit de witte slang aan op het uiteinde van de adapter voordat u deze op de kraanwaterleiding monteert en installeer vervolgens de adapter. Het AquaTru Under Sink RO-systeem wordt geleverd met een 3/8" adapter die een 1/2" conversieschroefdraad heeft. Gebruik de juiste adaptermaat op basis van uw loodgietersbehoeften.

Nadat u de witte slang op de adapter voor koud kraanwater hebt aangesloten, trekt u er even aan om te controleren of de slang goed op de adapter zit. Omwikkel de afsluitklep van de koudwaterleiding met loodgieterstape en omwikkel vervolgens de buitendraad op de koudwatertapadapter met loodgieterstape. Installeer eerst de adapter op de koudwaterkraan en installeer dan de verbindingsslang van de kraan op de adapter.

Installeer eerst de adapter op de koudwaterkraan en installeer dan de verbindingsslang van de kraan op de adapter.

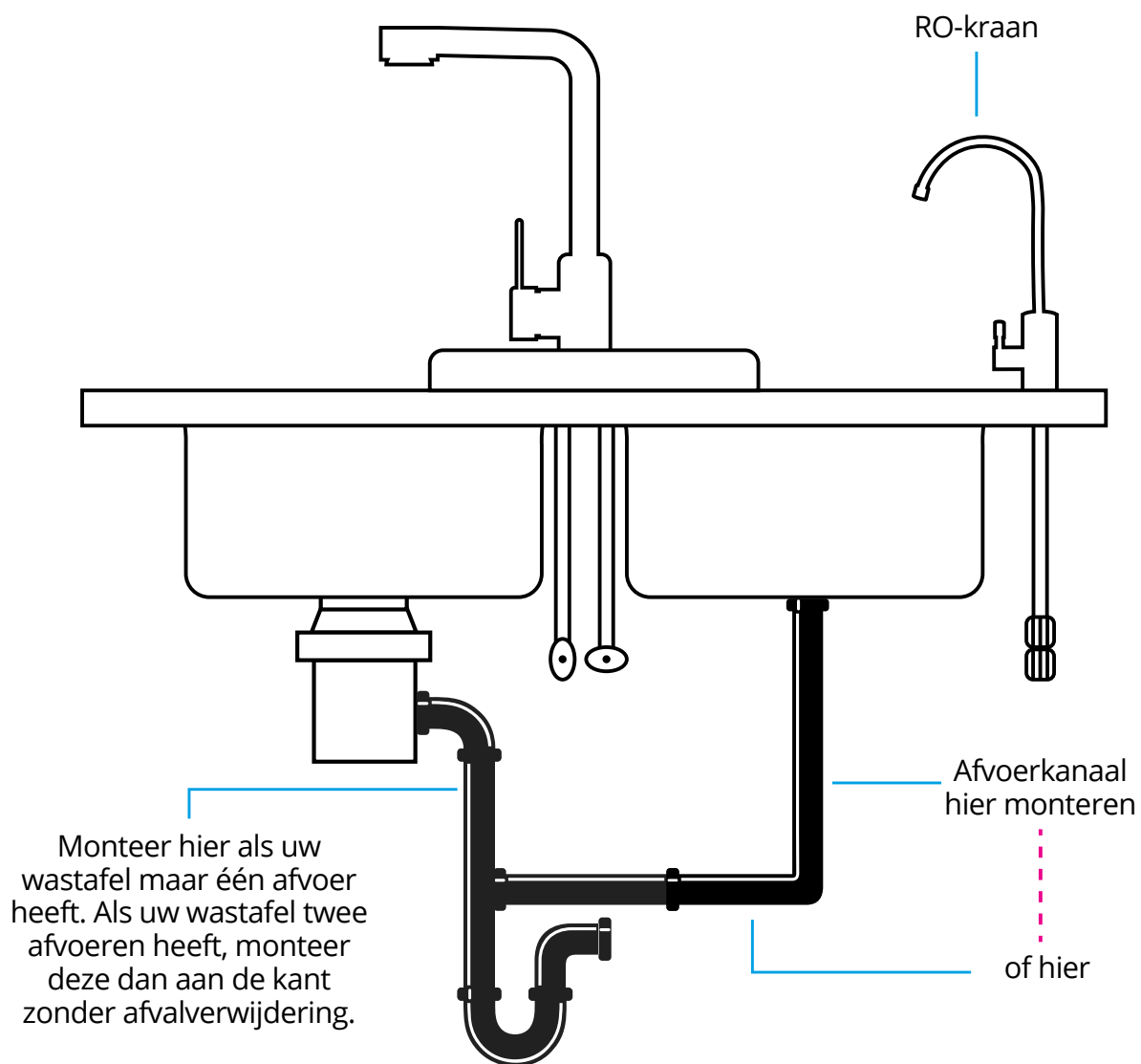


STAP
3

Afvoerkanaal installeren

Let op

Monteer het afvoerkanaal zo laag mogelijk op het verticale staartstuk om mogelijk afvoergeluid te voorkomen. Het afvoerkanaal moet boven de sifon en op het verticale of horizontale staartstuk geïnstalleerd worden.



STAP
3

Afvoerkanaal installeren

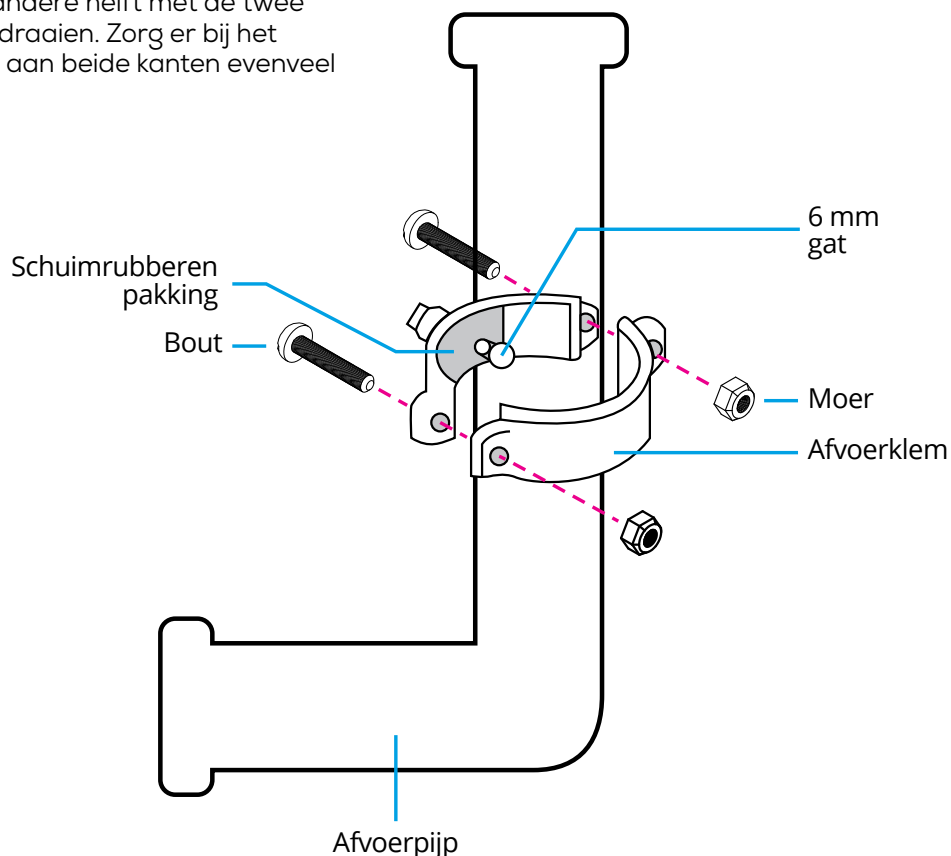
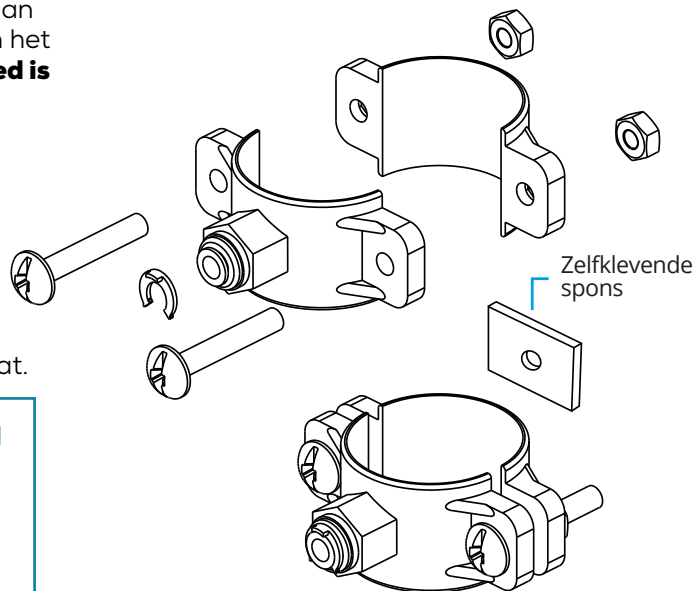
Markeer de positie van het gat op de afvoerbuis en boor een gat van 6 mm door één kant van de afvoerbuis. Er wordt een stukje zelfklevende spons meegeleverd. Lijm deze spons aan de binnenkant van het zadel, zo dempt u de ruimte tussen het zadel en de pijp. **Zorg ervoor dat het gat op de spons goed is uitgestanst, en lijn het uit met het gat in het zadel.**

Neem de halve kant van het zadel zonder het schuim en steek een moer in de uitsparing aan elke kant.

Plaats beide helften van het afvoerkanaal op de afvoerbuis met de opening van het afvoerkanaal uitgelijnd over het geboorde gat. De schuimrubberen pakking komt tussen het afvoerkanaal en het geboorde gat.

Tip: Om ervoor te zorgen dat het gat op het afvoerkanaal uitgelijnd is met het gat in de afvoerbuis, steekt u de boor in het afvoerkanaal en gebruikt u de boor om de twee gaten uit te lijnen terwijl u het afvoerkanaal op de afvoerbuis monteert.

Bevestig de afvoerklemhelften samen op hun plaats op de afvoerbuis. Schroef bouten door de afvoerklem op de helft met de schuimrubberen pakking en op de andere helft met de twee moeren geïnstalleerd. Niet te vast aandraaien. Zorg er bij het aandraaien van de bouten voor dat er aan beide kanten evenveel ruimte is tussen de afvoerkanaalen.



STAP
4

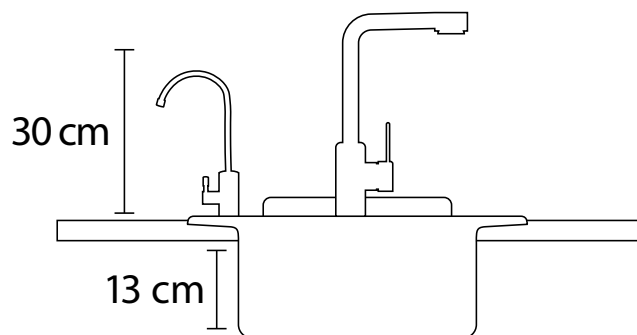
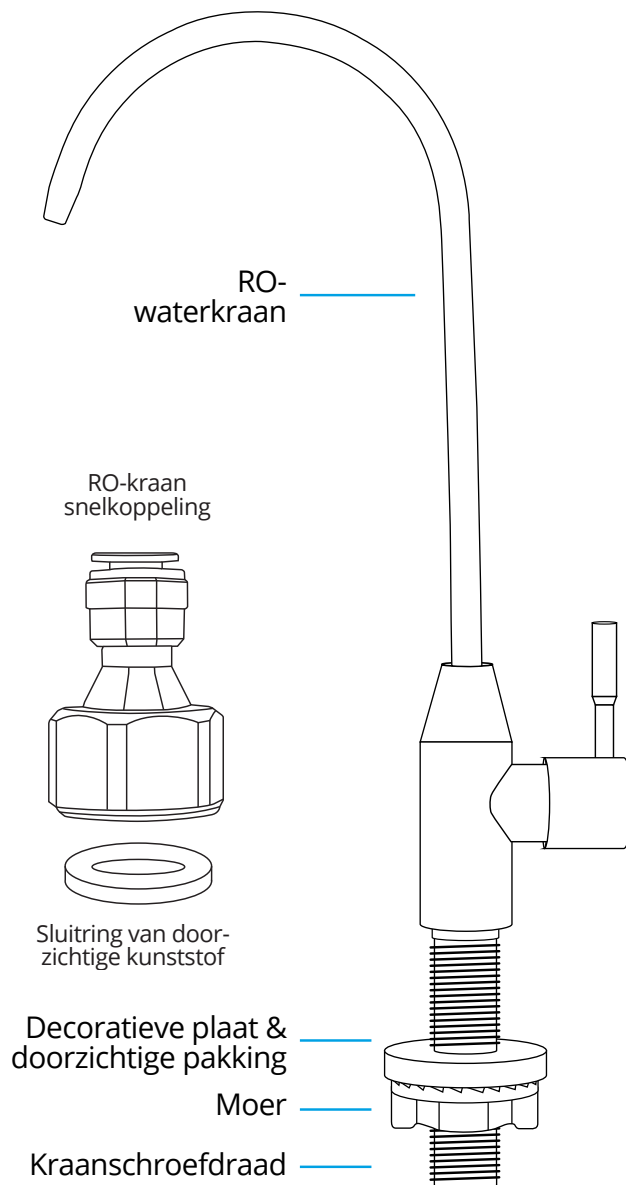
Installatie RO-kraan

De RO-kraan kan op elk vlak oppervlak geïnstalleerd worden. Controleer de onderkant van uw installatielocatie op interferentie door te controleren of het boren van een gat geen leidingen of bedrading onder het aanrecht beschadigt. Controleer of er genoeg ruimte is voor de draadstang van de kraan en de moer.

Opmerking: Voor het boren moet u een geschikte boor en boormethode gebruiken voor het materiaal van uw wastafel en/of aanrechtblad. Er zijn verschillende boren nodig voor roestvrij staal, porselein, marmer, enz.

U kunt een bestaand gat in uw aanrecht of wastafel gebruiken of een nieuw gat boren (**als u een bestaand gat gebruikt, begin dan bij stap 2**). Zorg ervoor dat de decoratieve plaat van de kraan en de moerplaat groot genoeg zijn om het gat dat u gebruikt te bedekken.

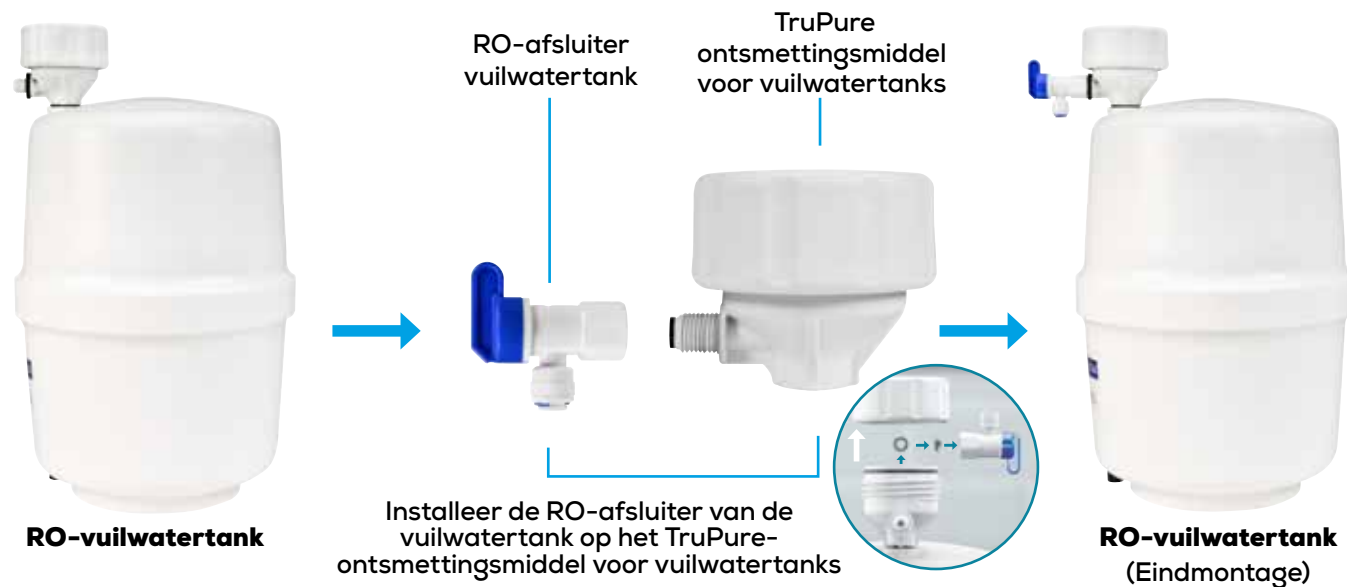
1. Boor een gat van **20 mm** met een geschikte boor en boormethode voor het materiaal.
2. Verwijder de kunststoffen moer van de draadstang van de kraan.
3. Steek de draadstang van de kraan door het nieuw geboorde of reeds bestaande gat, en zorg ervoor dat de decoratieve platen en transparante pakking op de draadstang blijven zitten en dat ze het gat volledig bedekken wanneer ze geïnstalleerd zijn.
4. Monteer onder de wastafel de plastic moer op de schroefdraad van de kraan en zorg ervoor dat de pakking die bij de fitting wordt geleverd in de fitting zit. Met de hand aandraaien. Zorg ervoor dat de kraan niet beweegt en dat de bovenste sierplaat het gat bedekt.
5. Installeer de snelkoppeling van de RO-kraan op de draadstang. Wikkel eerst loodgieterstape om de draad. Zorg ervoor dat de doorzichtige sluitring volledig in de snelkoppeling zit. Schroef de fitting op de draadstang. Draai met de hand vast met een verstelbare sleutel. **Niet te vast aandraaien.**



STAP
5

Installatie van TruPure vuilwatertanksanitizer

1. Schroef de blauwe dop van de RO-watertank.
2. Wikkel de loodgieterstape rond de roestvrijstalen schroefdraadstang van de RO holdingtank.
3. Schroef de TruPure vuilwatertankontsmetter op de vuilwatertank en draai hem met de hand vast.
4. Verwijder de zwarte pakking aan de binnenkant van de TruPure vuilwatertankontsmetter. Plaats deze pakking in de klep van de vuilwatertank.
5. Wikkel loodgieterstape op de buitendraad van het TruPure-watertankontsmettingsmiddel en schroef de RO-watertankafsluiter op de draadstang van het TruPure-watertankontsmettingsmiddel, draai hem met de hand vast.



Opmerking: Verwijder de zwarte pakking die in het TruPure-watertankontsmettingsmiddel zit en steek deze in de klep van de RO-watertank voordat u deze op het ontsmettingsmiddel installeert.

STAP
6

Locatie en montage van het RO-systeem

Installeer de drie filters in de filterverdeler volgens de kleurcode van de filters. Zoek de ruimte onder uw wastafel waar u het RO-systeem wilt installeren (RO-verdeeltstuk met filters en RO-reservoir).

Opmerking: De filterverdeler kan op een kastwand gemonteerd worden.

Handige tip: Schrijf de installatiedatum van het filter met een permanente marker op het filterhuis, of gebruik onze handige tabel met filtervervangingsgegevens op de laatste pagina van deze handleiding, zodat u gemakkelijk kunt zien wanneer u de filters moet vervangen.

Het **voorfilter** moet elke **6 maanden** worden vervangen

Het **VOC-filter** moet elke **12 maanden** worden vervangen

Het **RO-filter** moet elke **24 maanden** worden vervangen

Het **VOC-koolstoffilter met PH+ mineralenboost** moet elke **12 maanden** worden vervangen

Let op

Voordat u de filterverdeler op een kastwand monteert, moet u ervoor zorgen dat deze het gewicht van de filters en verdeler kan dragen en dat de wand dik genoeg is voor de montageschroeven. Als de montageschroeven te lang zijn, raden wij u aan om kortere schroeven te kopen bij uw plaatselijke ijzerhandel.

STAP
7

Wateraansluiting RO-systeem

Nadat u de optimale locatie voor uw filters en RO-watertank hebt gevonden, moet u de 60 mm slang op de juiste lengte knippen aan de hand van onderstaand diagram. Snijd de slang door met een scherp mes. Zorg ervoor dat u de slang niet buigt of beschadigt.

Aansluitpunt:



A naar B

Sluit de witte slang van kraanwateradaptor punt **A** aan op de snelkoppeling gemarkeerd met de letter **B** aangeduid als "**Koudwatertoevoer**" op de filterverdeler.



C naar D

Sluit de witte slang aan op snelkoppeling **C** - aangeduid als "**Opslagtank**" op de filterverdeler en sluit het andere uiteinde aan op de vuilwatertankklep **D**.



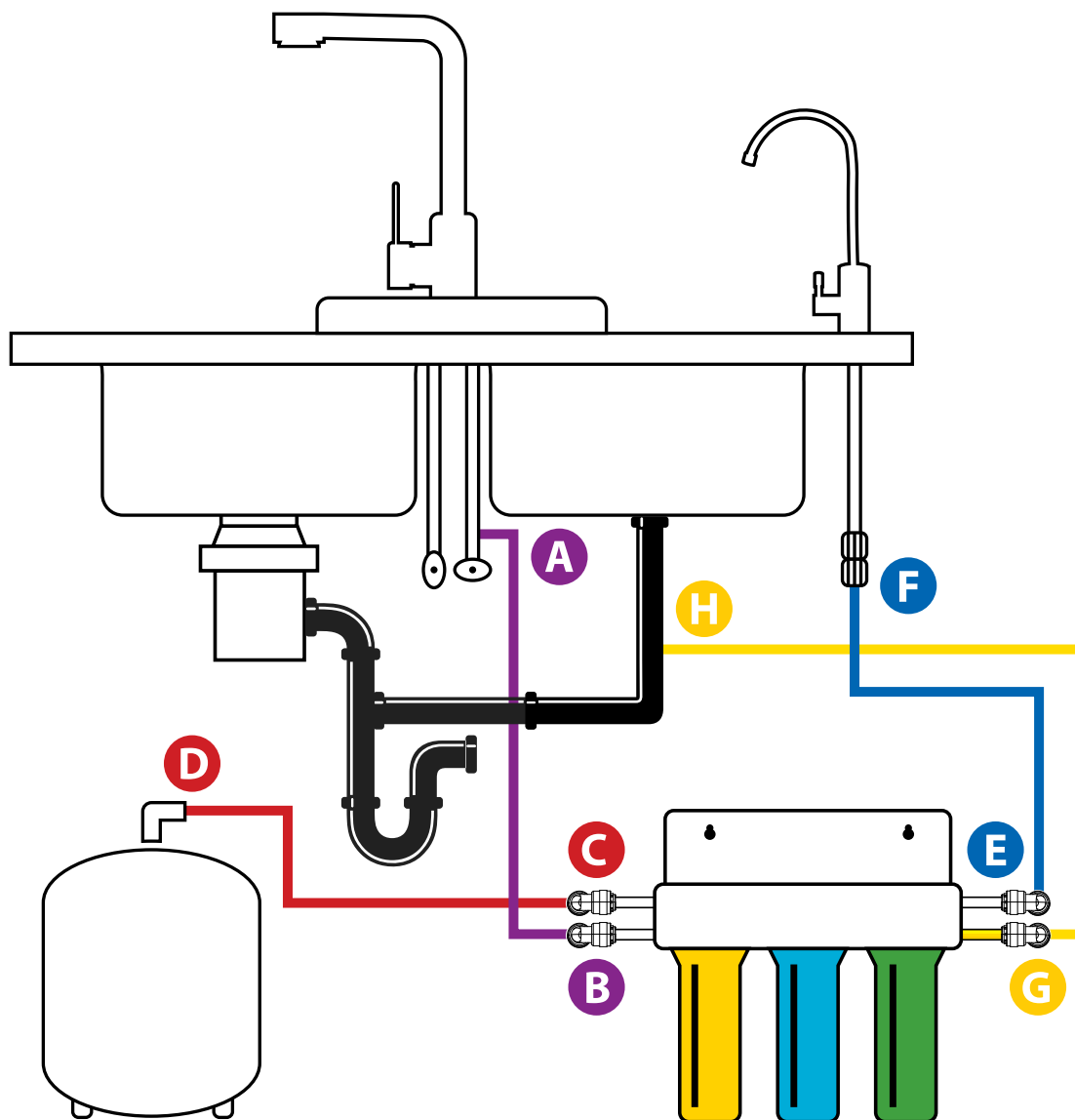
E naar F

Sluit de witte slang aan op de snelkoppelingsfitting **E** - met de markering "**R-waterkraan**," op de filterverdeler en sluit het andere uiteinde aan op de snelkoppelingsfitting **F** van de RO-waterkraan.



G naar H

Sluit de gele slang aan op de snelkoppeling met de markering "**Afvoer**" - **G** op de filterverdeler en het andere uiteinde op de afvoerkanaalklep **H**.



- Koudwatertoevoer
- Opslagtank
- RO-waterkraan
- Afvoer

STAP

8

Systemonderhoud: Filters

Draai het kraanwater open:

Zet uw koudwatertoevoer langzaam aan en open vervolgens de kraanwateradapterklep (linksom draaien) om onbehandeld water in het systeem te laten stromen.

CONTROLEER OP LEKKEN!

Open de klep van de RO-opslagtank:

Open de kogelkraan van de tank zodat er water in de tank komt. **De klep van de tank staat "AAN" als de klephendel parallel (in dezelfde richting) staat met de klepuitlaat.**

CONTROLEER OP LEKKEN!

Wacht tot de tank gevuld is:

Vul voor gebruik de RO-opslagtank en maak deze twee keer volledig leeg. Wacht 2 tot 3 uur totdat de tank gevuld is. Als de tank gevuld is, zal het RO-systeem automatisch uitschakelen.

LET OP:

Wanneer het apparaat voor het eerst met water gevuld wordt, worden er enkele kleine zwarte deeltjes uit het koolstoffilter gespoeld. Het is belangrijk dat u de RO opslagtank vult en 2 keer leegt voordat u het water gebruikt.

Afvoertank:

Open de kraan van het RO-water om de tank leeg te laten lopen. Laat de tank volledig leeglopen voordat u de hendel sluit.

CONTROLEER OP LEKKEN!

Controleer of er geen lekkage is bij de verbindingen van de verbinding, fitting, klep en slang.

EINDE VAN DE INSTALLATIE



AquaTru® ATU100 is gecertificeerd volgens ANSI/NSF Standard 42, 53, 58, 401 & P473 om 74 verontreinigingen te verwijderen zoals gespecificeerd in het prestatieblad.

Systeemonderhoud

Filter vervangen:

Het RO-systeem bevat drie filters die regelmatig vervangen moeten worden om de prestaties op peil te houden. **Gebruik alleen originele AquaTru filters.** Deze drie filters zijn:

- **Het voorfilter (AT2001)** wordt elke 6 maanden of, indien dit eerder is, elke 2270 liter vervangen.
- **Het VOC-filter (ATU2003)** wordt elke 12 maanden of, indien dit eerder is, elke 1360 liter vervangen.
Wanneer u dit filter vervangt, raden wij u aan ook de opslagtank te ontsmetten.
Zie RO-opslagtank reinigen voordat u verder gaat.
- **Het RO-filter (AT2002)** wordt elke 24 maanden of, indien dit eerder is, elke 4540 liter vervangen.
Wanneer u dit filter vervangt, raden wij u aan ook de opslagtank te ontsmetten.
Zie RO-opslagtank reinigen voordat u verder gaat.
- **Het optionele VOC-koolstoffilter met PH+ mineralenboostfilter (ATU2004)** wordt elke 12 maanden of, indien dit eerder is, elke 1360 liter vervangen.

Leveringsbronnen voor vervangingsonderdelen: Aquatruwater.eu / Aquatru.co.uk

Tips voordat u begint:

1. Zorg ervoor dat het onderhoudsgebied vrij is van overtollig vuil of stof om te voorkomen dat onderdelen kruiselings worden besmet.
2. Was uw handen met water en zeep en/of draag veiligheidshandschoenen.

Hoe u uw filters kunt vervangen

1. Draai de koudwatertoevoerleiding dicht.
2. Leeg de RO-opslagtank door de kraan van het RO-water te openen.
3. Verwijder het filter dat vervangen moet worden.
Handige tip: Het filter kan uit de basis draaien zodat het gemakkelijker losgeschroefd kan worden.
4. Installeer het nieuwe filter en zorg ervoor dat het filter volledig geïnstalleerd is.
Handige tip: Schrijf de installatiedatum van het filter met een permanente marker op het filterhuis, of gebruik onze handige tabel met filtervervangingsgegevens op de laatste pagina van deze handleiding, zodat u gemakkelijk kunt zien wanneer u de filters moet vervangen.
5. Sluit de kraan van het RO-water.
6. Open de toevoerleiding voor koud kraanwater.

CONTROLEER OP LEKKEN!

7. Nadat de RO-opslagtank volledig gevuld is, moet u deze legen om het filter uit te spoelen voordat u het water gebruikt.
8. Vul de RO-opslagtank bij.

Stap 9: Systeemonderhoud: De RO-opslagtank reinigen

RO-opslagtank reinigen:

Het RO-systeem moet één keer per jaar ontsmet worden. Wij raden u aan het ontsmettingsproces uit te voeren telkens wanneer u het VOC-filter vervangt, dus om de 12 maanden. U moet het ontsmettingsproces voltooien **voordat** het VOC-filter vervangt. Ga als volgt te werk.

Voor de beste resultaten raden wij u aan om 15 ml bleekmiddel te gebruiken. Om ervoor te zorgen dat de tanks gesteriliseerd worden, controleert u of het bleekmiddel niet over de datum is. Als het verlopen is, koop dan nieuw bleekmiddel.

Tips voordat u begint:

1. Zorg ervoor dat u ontsmettingsmiddel en een nieuw VOC-filter hebt.
2. Zorg ervoor dat het oppervlak vrij is van overtollig vuil of stof om kruisbesmetting van onderdelen te voorkomen.
3. Was uw handen met water en zeep en/of draag veiligheidshandschoenen.

Hoe uw RO-opslagtank te reinigen

1. Sluit de koudwatertoevoerleiding naar het RO-systeem af.
2. Open de kraan van het RO-water en laat het water uit de RO opslagtank lopen. Controleer voordat u verder gaat of de tank helemaal leeg is.
3. Schroef de bovenste dop van de TruPure opslagtankreiniger eraf. **Opmerking: Als de tank niet helemaal leeg is, staat de RO opslagtank en het ontsmettingsmiddel onder druk en wordt er water gespoten als u deze opent.**
4. Giet 15 ml bleekmiddel in de ontsmetter van de tank. Als er te veel water in het ontsmettingsmiddel zit om bleekmiddel toe te voegen, giet het water dan weg voordat u het bleekmiddel toevoegt.
5. Sluit de bovenste dop van de tankontsmettingsmiddel weer aan en zorg ervoor dat deze goed vastzit.
6. Draai de kraan van het RO-water dicht.
7. et de koudwatertoevoerleiding voor het systeem aan om het RO-systeem te vullen.

CONTROLEER OP LEKKEN!

8. Wacht 2 uur totdat de RO opslagtank volledig gevuld is.
9. Leeg de RO-opslagtank door de kraan van het RO-water te openen.
10. Vul de RO-opslagtank opnieuw en sluit de koudwatertoevoer.
11. Leeg de RO-opslagtank.
12. Vervang het VOC-filter en andere filters indien nodig.
Handige tip: Schrijf de datum op het filter dat u hebt vervangen en noteer deze in ons handige overzicht van filtervervangingsgegevens op de laatste pagina van deze handleiding, zodat u gemakkelijk kunt onthouden wanneer het filter opnieuw moet worden vervangen.
13. Laat na het vervangen van een filter twee volle tanks water door het filter lopen en laat het water eruit lopen voordat u het water gebruikt.
14. Mocht u nog vragen hebben, raadpleeg dan onze websites aquatruwater.eu, aquatru.co.uk of be +31 (0)24 20 22 195.

CONTROLEER OP LEKKEN!

FAQ & probleemoplossing

PROBLEEM	OORZAAK	OPLOSSING
Lage / langzame productie Het duurt langer dan 3 uur om de tank te vullen	Lage waterdruk	<p>Zorg ervoor dat de watertoevoer is ingeschakeld en dat de kraan helemaal open staat.</p> <p>De druk van het leidingwater moet minimaal 275 kPa zijn. Als uw huis geen 275 kPa heeft, raden wij u aan uw zuiveraar voor onder de wastafel te vervangen door een AquaTru model voor op het aanrecht met ingebouwde pomp.</p>
	Knikken in slang	Controleer de slang en lijn deze uit, en vervang indien nodig
	Verstopte filters	Als de productiesnelheid voorheen hoog was, maar over een periode van maanden aanzienlijk gedaald is, moet u het voorfilter en het RO-filter vervangen.
Lage waterstroom uit de kraan	Controleer de luchtdruk in de tank	De RO-opslagtank moet een druk van 6 tot 8 PSI hebben als hij leeg is. Gebruik een manometer en een pomp met een Schraderventielaansluiting om de tank bij te vullen.
	RO-afsluiter vuilwatertank	Zorg ervoor dat de klep van de opslagtank volledig open staat.
	Controleer of de pakking ontsmet is in ontsmettingsmiddel	De TruPure opslagtankreiniger wordt verzonden met de pakking in de reiniger. Voordat u begint met installeren, schroeft u de ontsmetter los om bij het zakje binnenin te komen dat de pakking bevat, en gebruikt u die pakking bij het installeren van de klep van de RO-opslagtank.
Een kleine hoeveelheid water in de tank	Systeem opstarten	Normaal gesproken duurt het ongeveer 2 uur om een tank te vullen. Opmerking: Een lage inkomende waterdruk en watertemperatuur kunnen de waterproductie drastisch verlagen.
	Lage waterdruk	De druk van het leidingwater moet minimaal 275 kPa zijn. Als uw huis geen 275 kPa heeft, raden wij u aan uw zuiveraar voor onder de wastafel te vervangen door een AquaTru model voor op het aanrecht met ingebouwde pomp.
	Te veel lucht in de opslagtank	De RO opslagtank moet een druk van 55 kPa hebben als hij leeg is. Gebruik een manometer om de druk te controleren. Als de meetwaarde hoger is dan 55 kPa, laat dan lucht ontsnappen met behulp van de Schraderklep op de bodem van de tank.

FAQ & probleemoplossing

PROBLEEM	OORZAAK	OPLOSSING
Lekken van filterverdeelsstuk	Filter niet volledig geïnstalleerd, of O-ring is beschadigd	Controleer of het filter volledig geïnstalleerd is. <ol style="list-style-type: none"> 1. Zet de filters drukloos door de toevoerleiding van het leidingwater af te sluiten en vervolgens de kraan van de RO-opslagtank dicht te draaien." 2. Draai de toevoerleiding van het leidingwater dicht. 3. Draai de klep van de RO opslagtank dicht. 4. Open de RO-kraan. Wanneer er geen water meer uit de kraan stroomt, kunt u elk filter veilig verwijderen. 5. Controleer de O-ring. 6. Plaats de filters terug en zorg ervoor dat ze volledig geplaatst zijn. 7. Breng het systeem weer onder druk.
Waterlekken	Een pakking sluit niet volledig af	Zet het systeem drukloos en verwijder al het water uit de tank. Verwijder het onderdeel dat lekt en inspecteer de pakking om er zeker van te zijn dat deze geen defecten vertoont. Als het lek van een schroefdraad komt, breng dan nieuwe loodgieterstape aan en installeer de onderdelen opnieuw, waarbij u erop let dat u ze vastdraait volgens de handleiding.

Twee jaar beperkte garantie

Uw AquaTru waterzuiveraar is gegarandeerd vrij van materiaal- en fabricagefouten gedurende twee jaar vanaf de oorspronkelijke aankoopdatum. Als het product een materiaal- of fabricagefout vertoont, zullen wij het kosteloos repareren of vervangen (er zijn verzend- en verwerkingskosten van toepassing). **Garantie omvat geen filters of opslagtank.** Voor service onder garantie belt u onze klantenservice op **+31 (0)24 20 22 195**.

Deze garantie dekt geen filters, schade veroorzaakt door ongelukken, verkeerd gebruik of ander gebruik dan bedoeld en beschreven in deze producthandleiding, of schade die het gevolg is van het niet onderhouden en reinigen van dit product zoals ook gespecificeerd in deze producthandleiding. Deze garantie geldt alleen voor de oorspronkelijke koper van de AquaTru waterreiniger.

ALLE EXPLICIETE EN IMPLICIETE GARANTIES VOOR DIT PRODUCT, INCLUSIEF IMPLICIETE GARANTIES VAN VERKOOPBAARHEID EN GESCHIKTHEID VOOR EEN BEPAALD DOEL, ZIJN IN DUUR BEPERKT TOT DE GARANTIEPERIODE, EN GEEN ENKELE GARANTIE, EXPLICIET OF IMPLICIET, ZAL NA DEZE PERIODE VAN TOEPASSING ZIJN.

Sommige landen staan geen beperkingen toe met betrekking tot de duur van impliciete garanties, zodat de bovenstaande beperking mogelijk niet op u van toepassing is. Hoewel deze garantie u specifieke wettelijke rechten geeft, kunt u ook andere rechten hebben die van land tot land verschillen.

Contactgegevens voor garantieservice:

AquaTru Water B.V.
 Groesbeekseweg 22 6524 DB Nijmegen
 The Netherlands info@aquatruwater.eu

AQUATru®

Aquatruwater.eu
 Aquatru.co.uk

Gegevens over filtervervanging

1 Pre-koolstoffilter	2 RO-filter	3 VOC-filter
Datum:	Datum:	Datum:
Datum:	Datum:	Datum:
Datum:	Datum:	Datum:
Datum:	Datum:	Datum:
Datum:	Datum:	Datum:
Datum:	Datum:	Datum:
Datum:	Datum:	Datum:
Datum:	Datum:	Datum:
Datum:	Datum:	Datum:
Datum:	Datum:	Datum:
Datum:	Datum:	Datum:
Datum:	Datum:	Datum:
Datum:	Datum:	Datum:
Datum:	Datum:	Datum:
Datum:	Datum:	Datum:
Datum:	Datum:	Datum:
Datum:	Datum:	Datum:
Datum:	Datum:	Datum:
Datum:	Datum:	Datum:
Datum:	Datum:	Datum:
Datum:	Datum:	Datum:

AQUATru[®]

SOUS-ÉVIER

Systeme d'osmose inverse AquaTru à 4 étapes

Owner's Manual GB
Gebruikershandleiding NL

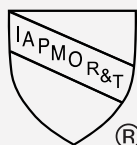
Manuel d'utilisation FR

Benutzerhandbuch DE

Manuale del proprietario IT

Manual de usuario ES

ATU100



Ce système ATU100 a été certifié par l'IAPMO selon les normes NSF/ANSI 42, 53, 58, 372, 401 et P473 pour les revendications de réduction spécifiées sur la fiche de données de performance, telles que vérifiées et étayées par des données de test et sur le site IAPMO.org.

Table des matières

Consignes de sécurité	2
Paramètres de fonctionnement	2
Avant le montage	2
Contenu de la boîte	3

Étapes de l'installation

Étapes de l'installation du système d'osmose inverse AquaTru à 4 étapes	4
Guide de raccordement rapide des tuyaux	4
Adaptateur pour l'eau froide du robinet	5
Installation de la selle de drainage	7
Installation du robinet à OI	9
Installation de l'assainisseur TruPure pour le réservoir de stockage	10
Emplacement et montage du système d'OI	11
Connexion à l'eau du système à OI	11
Maintenance du Système : Filtres	13
Maintenance du Système	14
FAQ et dépannage	16
Garantie	17
Fiches de remplacement des filtres	18

AVERTISSEMENT

Veillez lire et conserver ces instructions avant de procéder à l'installation.

Consignes de sécurité

- L'installation doit être conforme aux lois et réglementations nationales et locales.
- Le système doit être installé en intérieur.
- Ne pas utiliser d'eau microbiologiquement dangereuse ou de qualité inconnue sans avoir procédé à une désinfection adéquate avant que l'eau n'entre dans le système.
- Garder le système hors de portée des sources de chaleur et de la lumière directe du soleil.
- Ce système d'osmose inverse contient des composants de traitement remplaçables, essentiels pour une réduction efficace du volume total des solides dissous. Le produit doit être testé régulièrement afin de vérifier que le système fonctionne correctement.
- Ce système est conçu pour être installé sous un évier avec un accès à l'eau froide du robinet et une évacuation des eaux usées.
- Pour éviter tout risque d'électrocution, assurez-vous que tous les appareils et prises électriques sont éteints au niveau du disjoncteur avant de travailler au niveau de l'armoire. Veuillez porter des lunettes de sécurité pour protéger vos yeux lors du perçage.

Paramètres de fonctionnement

- Taux de production journalier : 54 GPD
- Capacité nominale 1 360 litres
- Pression de service : 275 - 550 KPa
- Total max. des solides dissous 1 500 mg/L
- Dureté maximale 171 mg/l (10 gpg)
- Chlore < 2 PPM
- PH 3-11
- Turbidité 5 NTU max

Avant l'installation

Inspecter le système :

Veillez sortir tous les composants de la boîte. Inspecter soigneusement toutes les pièces et tous les raccords, et vérifier que rien n'a été endommagé pendant le transport. En cas de fissure ou de dégradation d'une pièce, ne procédez pas à l'installation. Contactez le service clientèle pour obtenir de l'aide.

Outils nécessaires à l'installation :

- Perceuse électrique
 - Foret :
 - 6 mm pour la conduite d'eau usée
 - 20 mm pour le robinet d'eau à OI Clé réglable
- Clé à molette
- Tournevis Philips
- Couteau utilitaire ou ciseaux
- Ruban en PTFE (souvent appelé « ruban de plombier » ou « ruban en Téflon® »)

Installateurs qualifiés

- L'utilisation d'un Installateur qualifié est recommandée
- Une installation correcte incombe à l'installateur.
- La garantie ne couvre pas les défaillances du produit résultant d'une mauvaise installation.

Contenu de la boîte



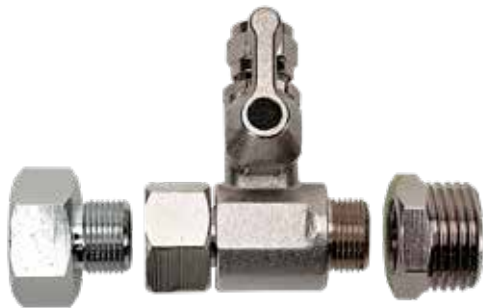
Collecteur de filtres et 3 filtres
(Filtre PRE/Carbone, Filtre OI et Filtre COV)



Réservoir de stockage OI



Robinet d'eau OI



Adaptateur pour eau froide avec adaptateur de 3/8" et filetage de conversion de 1/2"



Selle d'évacuation des eaux usées pour conduite d'évacuation de 3,8 cm de diamètre



Raccord rapide pour robinet à OI (avec joint d'étanchéité transparent)



Vanne du réservoir de stockage OI



Joint d'installation



Désinfectant TruPure pour réservoir de stockage (joint d'installation à l'intérieur du compartiment)



Matériel d'installation du collecteur de filtre

Étapes de l'installation du système d'osmose inverse AquaTru à 4 étapes

L'installation sera un jeu d'enfant, puisque la plupart des pièces sont déjà assemblées. Nous vous guiderons pour la suite en vous indiquant les étapes suivantes :

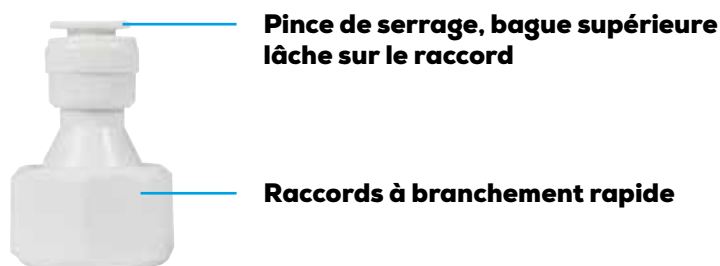
1. Comment utiliser les raccords rapides
2. Montage de l'adaptateur pour l'eau froide
3. Montage de la sellette pour l'OI des eaux usées
4. Installation du robinet à OI
5. Raccordement de l'assainisseur TruPure pour la cuve de stockage
6. Emplacement et installation du système d'OI pour l'eau
7. Réalisation de tous les raccords d'eau nécessaires
8. Démarrage du système
9. Maintenance du système

Il est important de suivre ces étapes dans l'ordre indiqué ci-dessus afin de minimiser les éventuels problèmes d'installation.

Guide de raccordement rapide des tuyaux

ÉTAPE
1

La connexion du tube dans votre système à OI utilise un mécanisme de verrouillage Quick Connect pour verrouiller le tube en place. Veillez à ne pas endommager votre tuyau lors de son déballage. Les tuyaux dont l'extrémité est pliée ou qui présentent d'autres dommages ne sont pas étanches et ne laissent pas passer l'eau. Si votre tuyau arrive endommagé, veuillez contacter le service clientèle pour obtenir de l'aide.



Tuyau attaché :

Pousser le tube en ligne droite et au niveau de la pince de serrage.

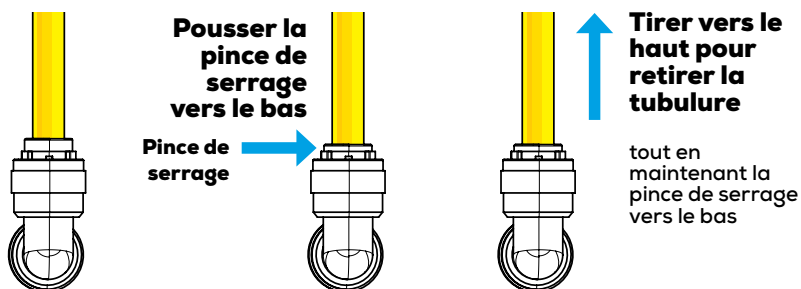
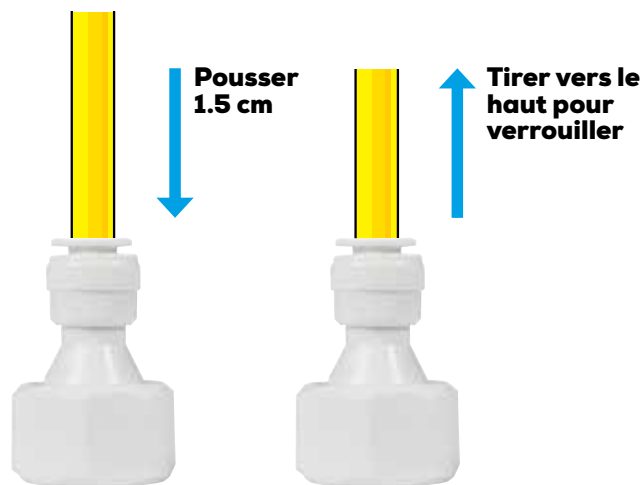
La tubulure s'enfonce de 1,5 cm dans la pince de serrage avant que le verrou ne soit activé..

Tirez sur le tube pour vous assurer que le verrou s'est activé et que le tube est bien fixé.

Tubes d'échappement :

Pousser et maintenir la pince de serrage à l'intérieur pour libérer le verrou tout en tirant vers l'extérieur.

La pince de serrage doit être maintenue vers le bas tout en tirant le tube vers le haut pour libérer le tube.



ÉTAPE
2

Adaptateur pour l'eau froide du robinet

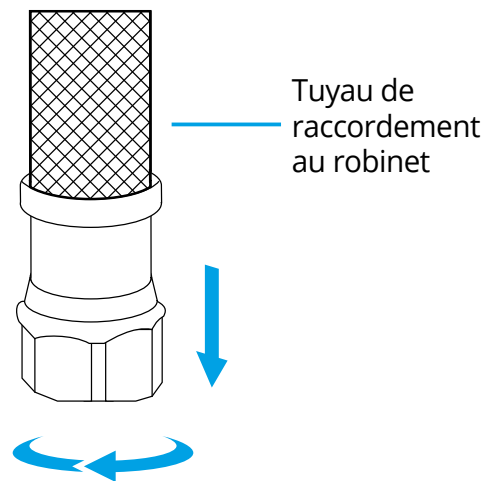
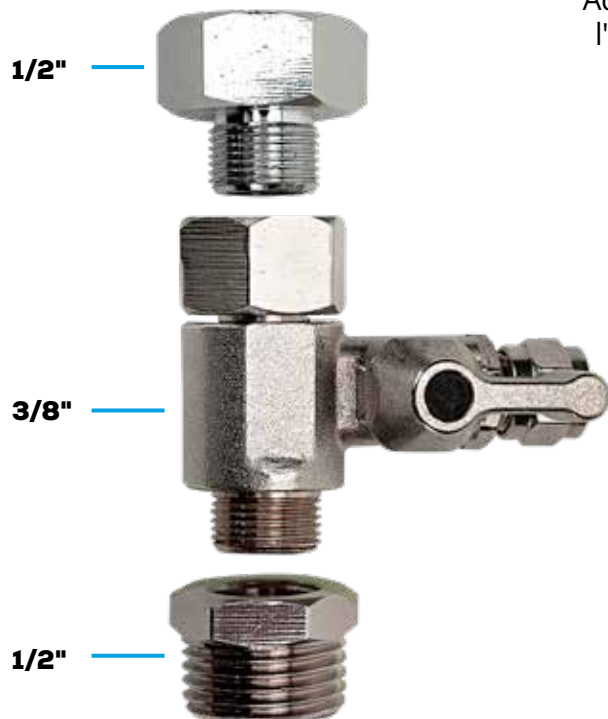
AVERTISSEMENT

L'alimentation en eau de l'appareil DOIT être assurée par la conduite d'eau froide. L'eau chaude endommagera gravement votre système OI.

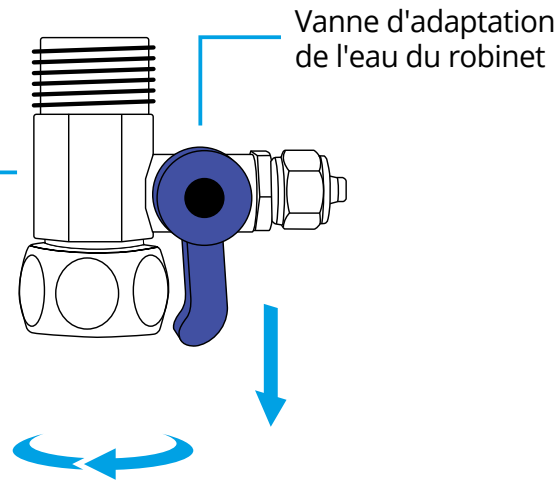
Repérez le robinet d'eau froide situé sous l'évier et fermez-le. Ouvrez ensuite la poignée d'eau froide de votre évier pour relâcher la pression. Vérifiez que l'eau a cessé de couler avant de continuer.

Remarque: Pour les robinets à poignée unique, vous devrez peut-être couper l'eau chaude afin d'éviter tout croisement d'eau chaude lors de l'installation. Si l'eau continue de couler du robinet alors que les vannes d'eau froide et d'eau chaude sont fermées, l'alimentation principale en eau doit également être coupée.

Si la vanne ne peut pas être installée sur le robinet d'arrêt d'eau froide, une deuxième option consiste à installer la vanne à l'extrémité du tuyau de raccordement du robinet qui se connecte au robinet de la cuisine.

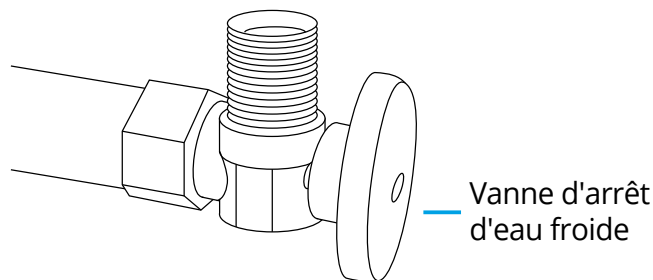


Tuyau de raccordement au robinet



Vanne d'adaptation de l'eau du robinet

Adaptateur pour l'eau du robinet



Vanne d'arrêt d'eau froide

Remarque : Le système OI du sous-évier AquaTru est livré avec un adaptateur d'eau froide du robinet de 3/8" équipé d'un filetage de conversion de 1/2". Selon vos besoins en matière de plomberie, il se peut que vous deviez utiliser le fil de conversion supplémentaire.

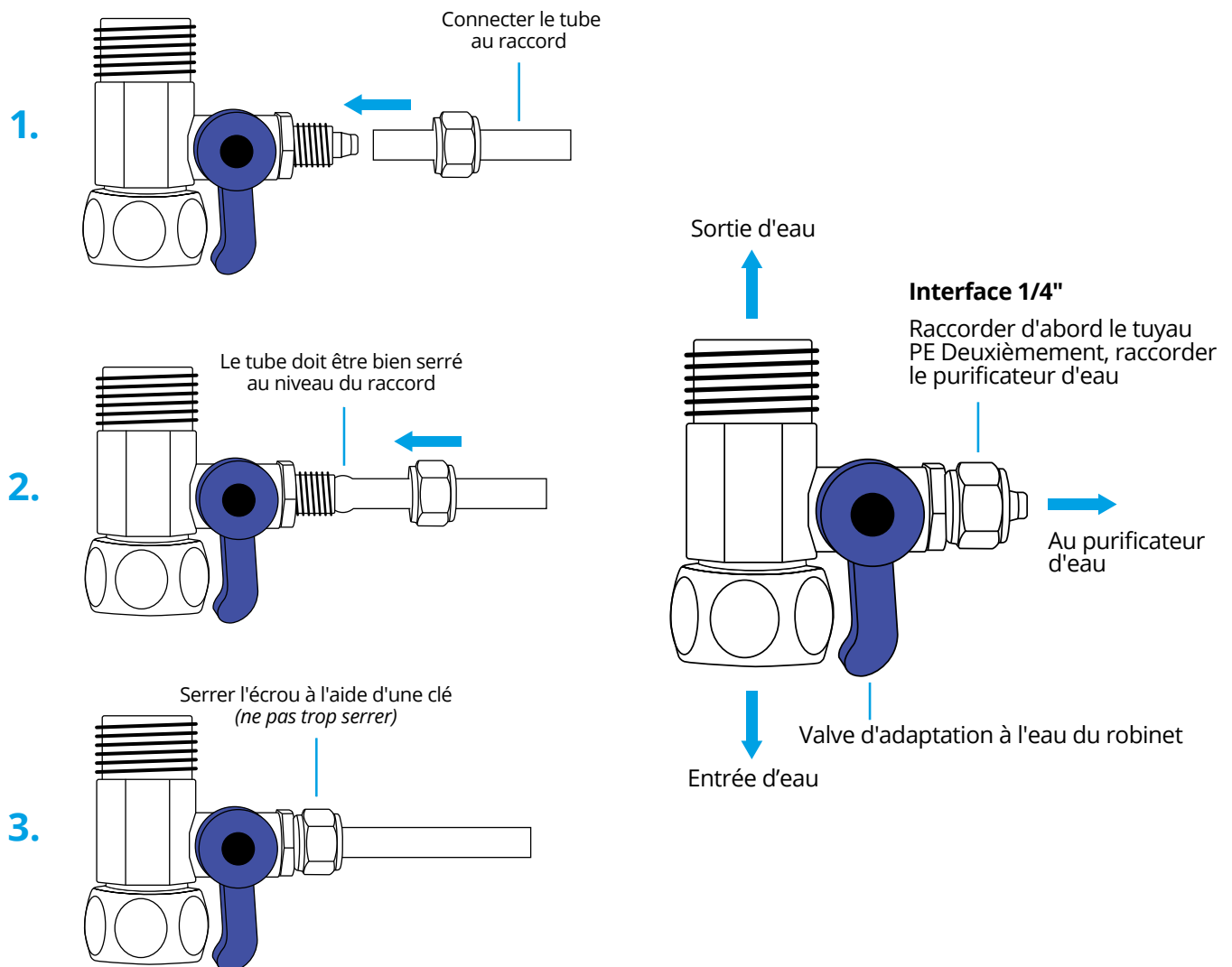
ÉTAPE
2

Adaptateur pour l'eau froide du robinet

Avant de le monter sur la ligne d'eau du robinet, connectez le tube blanc à l'extrémité de l'adaptateur, puis installez l'adaptateur. Le système OI du sous-évier AquaTru est livré avec un adaptateur de 3/8" équipé d'un filetage de conversion de 1/2". Veuillez utiliser la taille d'adaptateur appropriée en fonction de vos besoins en matière de plomberie.

Après avoir raccordé le tube blanc à l'adaptateur d'eau froide du robinet, tirez dessus pour vous assurer qu'il est bien fixé à l'adaptateur. Enveloppez le robinet d'arrêt de la conduite d'eau froide avec du ruban adhésif de plombier, puis enveloppez le filetage mâle de l'adaptateur du robinet d'eau froide avec du ruban adhésif de plombier.

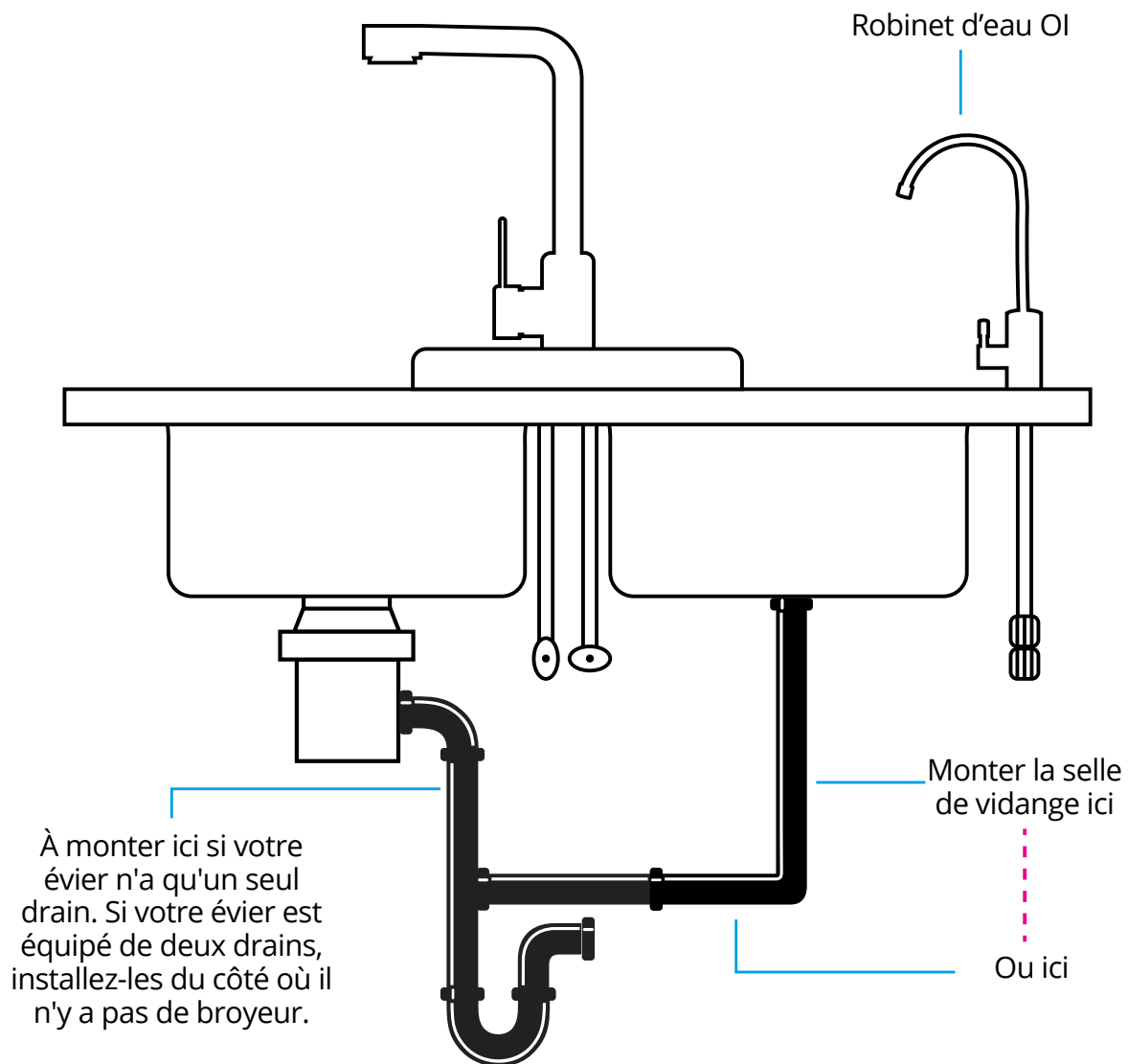
Dans un premier temps, installez l'adaptateur sur le robinet d'eau froide, puis installez le tuyau de raccordement du robinet sur l'adaptateur.



ÉTAPE

3**Installation de la selle de vidange Attention****Attention**

Pour éviter d'éventuels bruits provenant de la vidange, montez la selle de vidange aussi bas que possible sur l'embout vertical. Le support de la selle de vidange doit être installé au-dessus du purgeur et sur l'embout vertical ou horizontal.



ÉTAPE

3

Installation de la selle de vidange

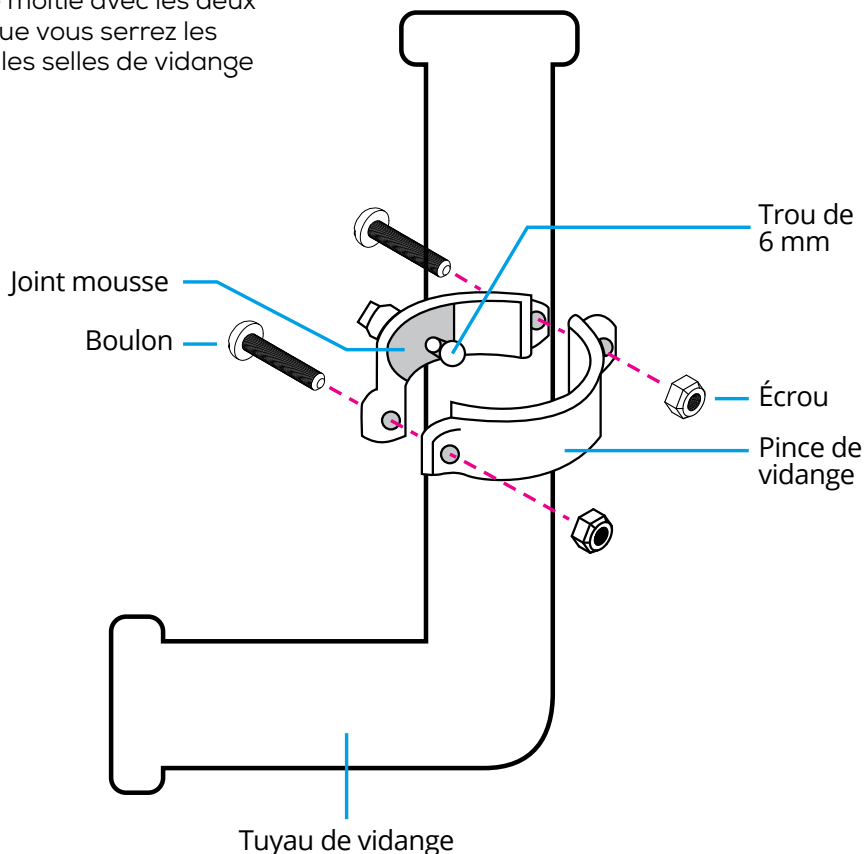
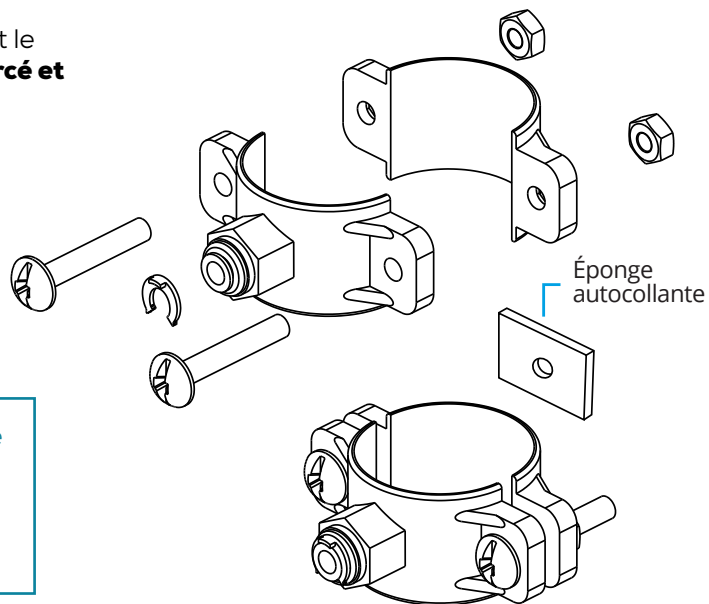
Marquer la position du trou sur le tuyau de vidange et percer un trou de 6 mm sur un côté du tuyau de vidange. Un morceau d'éponge autocollante est fourni. Collez cette éponge à l'intérieur de la selle, elle amortira l'espace entre la selle et le tuyau. **Assurez-vous que le trou de l'éponge est bien percé et alignez-le sur le trou de la selle.**

Prenez la moitié de la selle sans la mousse et insérez un écrou dans l'encoche de chaque côté.

Placez les deux moitiés de la selle sur le tuyau d'évacuation, l'ouverture de la selle étant alignée sur le trou percé. Le joint en mousse se trouve entre le siphon de drainage et le trou percé.

Conseil : Pour s'assurer que le trou de la selle de vidange est aligné avec le trou du tuyau de vidange insérez la mèche dans la selle de vidange et utilisez la mèche pour aligner les deux trous lorsque vous assemblez la selle de vidange sur le tuyau de vidange.

Fixez les deux moitiés de la pince de vidange en place sur le tuyau de vidange. Vissez les boulons à travers le drain, serrez la moitié avec le joint en mousse et l'autre moitié avec les deux écrous installés. Ne pas trop serrer. Lorsque vous serrez les boulons, assurez-vous que l'espace entre les selles de vidange est le même des deux côtés.



ÉTAPE
4

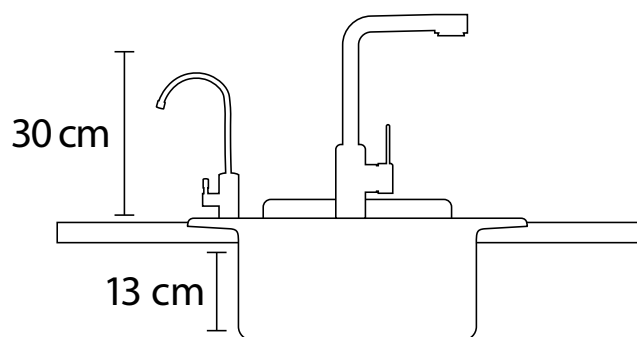
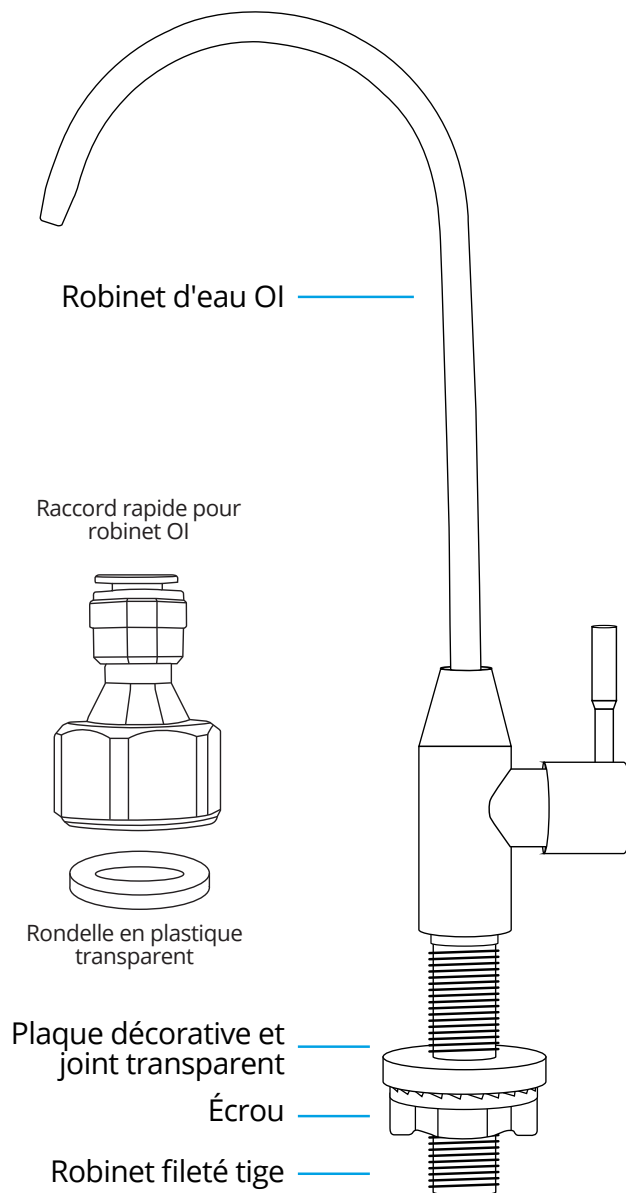
Installation du robinet à OI

Le robinet à OI peut être installé sur n'importe quelle surface plane. Vérifiez que le perçage d'un trou n'endommagera pas les tuyaux ou les câbles situés sous le comptoir de l'évier. Vérifiez qu'il y a suffisamment d'espace pour la tige filetée du robinet et l'écrou.

Remarque : Pour le perçage, vous devez utiliser une mèche et une technique de perçage adaptées au matériau de votre évier ou de votre plan de travail. L'acier inoxydable, la porcelaine, le marbre, etc. nécessitent des forets différents.

Vous pouvez utiliser un trou déjà présent dans votre comptoir ou votre évier ou en percer un nouveau **(si vous utilisez un trou existant, commencez à l'étape 2)**. Assurez-vous que la plaque décorative du robinet et la plaque d'écrou sont suffisamment grandes pour couvrir le trou utilisé.

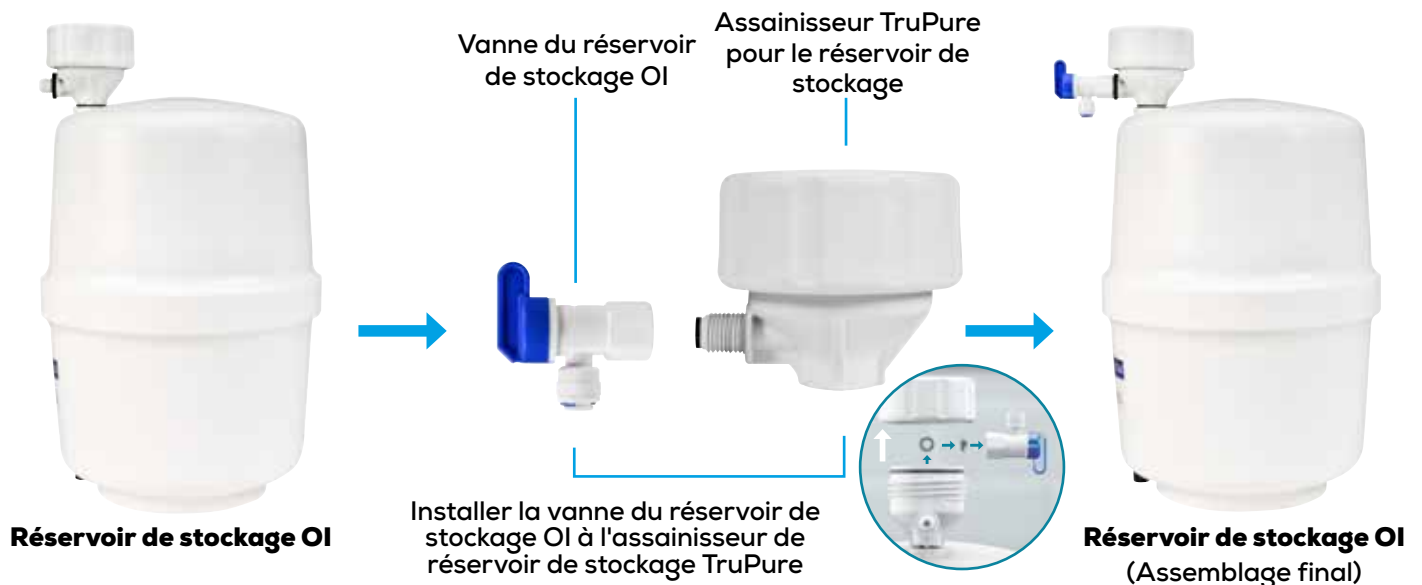
1. Percez un trou de **20 mm** à l'aide d'un foret et d'une technique de perçage adaptés au matériau.
2. Retirez l'écrou en plastique de la tige filetée du robinet.
3. Insérez la tige filetée du robinet dans le trou nouvellement percé ou préexistant, en veillant à ce que les plaques décoratives et le joint transparent restent sur la tige filetée et qu'ils recouvrent complètement le trou une fois installés.
4. Sous l'évier, installez l'écrou en plastique sur la tige filetée du robinet, en veillant à ce que le joint fourni avec le raccord soit placé à l'intérieur. Serrez-le à la main. Assurez-vous que le robinet ne bouge pas et que la plaque décorative supérieure recouvre le trou.
5. Installez le raccord à branchement rapide du robinet OI sur la tige filetée. Commencez par enrouler du ruban adhésif de plombier autour du fil. Assurez-vous que la rondelle transparente est entièrement insérée dans le raccord rapide. Vissez le raccord sur la tige filetée. Serrez à la main à l'aide d'une clé à molette. **Ne pas trop serrer.**



ÉTAPE 5

Installation de l'assainisseur TruPure pour le réservoir de stockage

1. Dévissez le bouchon bleu du réservoir de stockage OI.
2. Placez le ruban de plombier autour de la tige filetée en acier inoxydable du réservoir de stockage OI.
3. Vissez l'assainisseur TruPure pour réservoir de stockage sur le réservoir de stockage, serrez à la main. Vissez le désinfectant TruPure pour réservoir de stockage sur le réservoir de stockage, serrez à la main.
4. Retirez le joint noir à l'intérieur de l'assainisseur de réservoir de stockage TruPure. Insérez ce joint à l'intérieur de la vanne du réservoir de stockage.
5. Enveloppez de ruban de plombier le filetage mâle de l'assainisseur TruPure pour réservoir de stockage et vissez la vanne OI pour réservoir de stockage sur la tige filetée de l'assainisseur TruPure, serrez à la main.



Remarque : Retirez le joint noir qui se trouve à l'intérieur de l'assainisseur TruPure pour le réservoir de stockage et insérez-le dans la vanne du réservoir de stockage OI avant de l'installer sur l'assainisseur.

ÉTAPE
6**Emplacement et montage du système d'OI**

Installez les trois filtres dans le collecteur de filtres en respectant le code couleur des filtres. Repérez la zone sous l'évier où vous souhaitez installer le système OI (collecteur OI avec filtres et réservoir OI).

Remarque: Le collecteur de filtres peut être monté sur une paroi de l'armoire.

Conseil pratique : Inscrivez la date d'installation du filtre à l'aide d'un marqueur permanent sur le filtre ou utilisez notre tableau de remplacement des filtres à la dernière page de ce manuel, afin d'identifier facilement la date de remplacement des filtres.

Le **pré-filtre** doit être remplacé tous les **6 mois**

Le **filtre COV** est remplacé tous les **12 mois**

Le **filtre OI** est remplacé tous les 24 mois

Le **filtre VOC au charbon avec PH+ Mineral Boost** est remplacé tous les 12 mois

Attention

Avant de monter le collecteur de filtres sur une paroi de l'armoire, assurez-vous que celle-ci peut supporter le poids des filtres et du collecteur et qu'elle est suffisamment épaisse pour accueillir les vis de montage. Si les vis de montage sont trop longues, nous vous recommandons d'acheter des vis plus courtes dans votre magasin de bricolage.

ÉTAPE
7**Connexion à l'eau du système OI**

Une fois que vous avez trouvé l'emplacement optimal pour vos filtres et votre réservoir OI, vous devez couper le tuyau de 60 mm à la bonne longueur en suivant le diagramme ci-dessous. Coupez le tuyau à l'aide d'un couteau utilitaire bien affûté. Veillez à ne pas plier ou endommager le tuyau.

Point de connexion :**A à B**

Connectez le tuyau blanc du point **A** de la vanne d'adaptation de l'eau du robinet au raccord rapide marqué **B** - marqué « **Cold Supply** » (**alimentation en eau froide**) sur le collecteur du filtre.

**C à D**

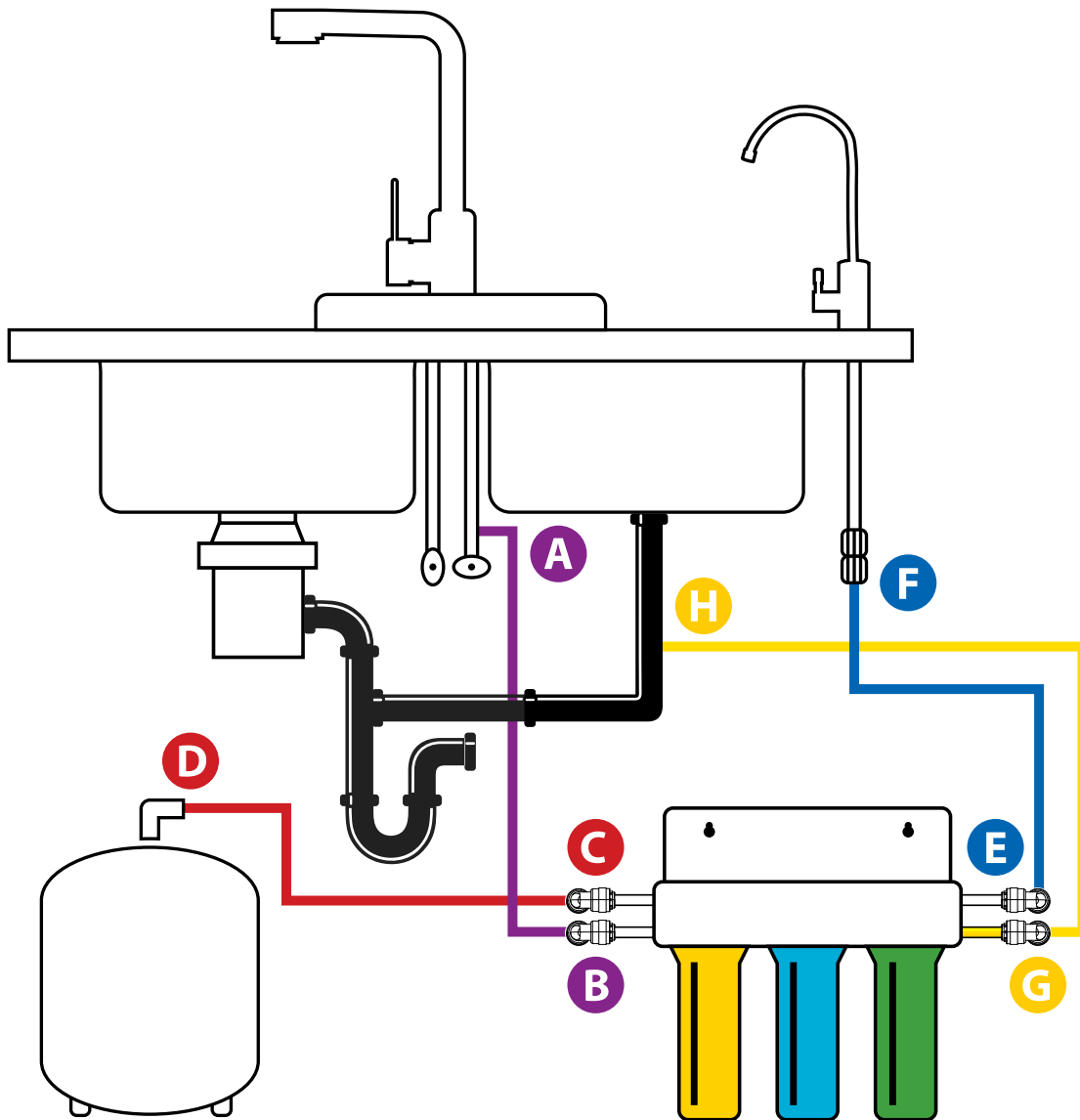
Connectez le tuyau blanc au raccord de branchement rapide **C** - marqué « **Holding Tank** » (**réservoir d'eaux usées**) sur le collecteur du filtre, puis connectez l'autre extrémité à la vanne du réservoir de stockage **D**.

**E à F**

Connectez le tube blanc au raccord rapide **E** - marqué « **Water Faucet** » (**robinet d'eau**), sur le collecteur du filtre, puis connectez l'autre extrémité au raccord de branchement rapide **F** du robinet d'eau OI.

**G à H**

Connectez le tube jaune au raccord de branchement rapide marqué « **Drain** » - **G** sur le collecteur du filtre, puis connectez l'autre extrémité à la vanne de la selle de vidange **H**.



- Cold Supply
- Holding Tank
- Water Faucet
- Drain

ÉTAPE

8

Maintenance du Système : Filtres

Ouvrez l'eau du robinet :

Ouvrez lentement l'alimentation en eau froide, puis ouvrez la vanne d'adaptation de l'eau du robinet (dans le sens inverse des aiguilles d'une montre) pour laisser l'eau non traitée pénétrer dans le système.

VÉRIFIEZ L'ÉTANCHÉITÉ !

Ouvrez la vanne du réservoir de stockage OI :

Ouvrez le robinet à boisseau sphérique du réservoir pour faire entrer l'eau dans le réservoir. **La vanne du réservoir est « ACTIVEE » lorsque la poignée de la vanne est parallèle (dans la même direction) à la sortie de la vanne.**

VÉRIFIEZ L'ÉTANCHÉITÉ !

Attendez que le réservoir se remplisse :

Avant toute utilisation, remplissez le réservoir OI et videz-le complètement deux fois. Il faut compter 2 à 3 heures pour que le réservoir se remplisse. Lorsque le réservoir est rempli, le système OI s'arrête automatiquement.

ATTENTION :

Lorsque l'appareil est rempli d'eau pour la première fois, de minuscules particules noires sont évacuées du filtre à charbon. Il est important de remplir le réservoir OI et de le vider deux fois avant de consommer l'eau.

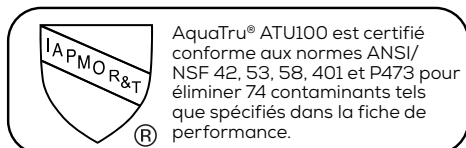
Réservoir de vidange :

Ouvrez le robinet d'eau OI pour vidanger le réservoir. Laissez le réservoir se vider complètement avant de fermer le levier.

VÉRIFIEZ L'ÉTANCHÉITÉ !

Assurez-vous que les joints, les raccords, les vannes et les tuyaux ne fuient pas.

FIN DE L'INSTALLATION



Maintenance du Système

Changement du filtre :

Le système d'OI comprend trois filtres qui doivent être remplacés à intervalles réguliers pour en maintenir les performances. **N'utilisez que des filtres AquaTru d'origine.** Les trois filtres sont les suivants :

- **Le pré-filtre (AT2001)** doit être remplacé tous les 6 mois ou à chaque fois qu'il atteint 2270 L, le premier des deux prévalant.
- **Le filtre VOC (ATU2003)** doit être remplacé tous les 12 mois ou à chaque fois qu'il atteint 1360 L, le premier des deux prévalant.

Nous vous recommandons d'assainir également le réservoir d'eaux usées lorsque vous remplacez ce filtre.
Voir Assainissement du réservoir OI avant de continuer.

- **Le filtre RO (AT2002)** doit être remplacé tous les 24 mois ou à chaque fois qu'il atteint 4540 L, le premier des deux prévalant.

Nous vous recommandons d'assainir également le réservoir d'eaux usées lorsque vous remplacez ce filtre.
Voir Assainissement du réservoir OI avant de continuer.

- **Le filtre facultatif VOC au charbon avec PH+ Mineral Boost (ATU2004)** doit être remplacé tous les 12 mois ou à chaque fois qu'il atteint 1360 L, le premier des deux prévalant.

Sources d'approvisionnement en composants de remplacement : Aquatruwater.eu / Aquatru.co.uk

Conseils avant de commencer :

1. Veillez à ce que la zone d'entretien soit dépourvue de toute saleté ou poussière excessive afin d'éviter toute contamination croisée des pièces.
2. Lavez-vous les mains à l'eau et au savon et/ou portez des gants hygiéniques.

Comment changer vos filtres

1. Fermez la conduite d'alimentation en eau froide.
2. Vider le réservoir OI en ouvrant le robinet d'eau OI.
3. Retirez le filtre à remplacer.

Conseil pratique : Le filtre peut pivoter hors de la base pour en faciliter le dévissage.

4. Installez le nouveau filtre en vous assurant qu'il est complètement installé.

Conseil pratique : Inscrivez la date d'installation du filtre à l'aide d'un marqueur permanent sur le filtre, ou utilisez notre tableau utile de remplacement des filtres à la dernière page de ce manuel, afin d'identifier facilement le moment où les filtres doivent être remplacés.

5. Fermez le robinet d'eau OI.
6. Ouvrez le robinet d'eau froide.

VÉRIFIEZ L'ÉTANCHÉITÉ !

7. Une fois que le réservoir de stockage OI a été complètement rempli, videz-le pour rincer le filtre avant de le consommer.
8. Remplissez le réservoir de stockage OI

Maintenance du Système : Assainissement du réservoir de stockage OI

Assainissement du réservoir de stockage OI :

Le système d'OI doit être désinfecté une fois par an. Nous vous recommandons d'effectuer le processus d'assainissement chaque fois que vous remplacez le filtre COV, tous les 12 mois. Vous devez terminer le processus d'assainissement avant de remplacer le filtre COV. Veuillez procéder de la manière suivante.

Pour obtenir de meilleurs résultats, nous vous recommandons d'utiliser 15 ml d'eau de Javel. Pour garantir la stérilisation des réservoirs, vérifiez que l'eau de Javel n'est pas périmée. Si elle est périmée, achetez de l'eau de Javel neuve.

Conseils avant de commencer :

1. Assurez-vous d'avoir une solution désinfectante et un nouveau filtre COV.
2. Veillez à ce que la surface soit dépourvue de toute saleté ou poussière excessive afin d'éviter toute contamination croisée des pièces.
3. Lavez-vous les mains à l'eau et au savon et/ou portez des gants hygiéniques.

Comment désinfecter votre réservoir de stockage OI

1. Fermez la conduite d'alimentation en eau froide du système d'OI.
2. Ouvrez le robinet d'eau OI et vidangez l'eau du réservoir d'OI. Avant de continuer, assurez-vous que le réservoir est complètement vide.
3. Dévissez le bouchon supérieur de l'assainisseur TruPure pour réservoir de stockage. **Remarque : Si le réservoir n'est pas complètement vide, le réservoir de stockage OI et l'assainisseur sont sous pression et pulvérisent de l'eau lorsqu'ils sont ouverts.**
4. Verser 15 ml d'eau de Javel dans le réservoir de désinfection. Si l'eau présente dans l'assainisseur est trop importante pour que l'on puisse ajouter de l'eau de Javel, videz-la avant d'ajouter l'eau de Javel.
5. Remettez en place le bouchon supérieur du réservoir de désinfection, en veillant à ce qu'il soit bien serré.
6. Fermez le robinet d'eau OI.
7. Activez la ligne d'alimentation en eau froide du système pour remplir le système d'OI.

VÉRIFIEZ L'ÉTANCHÉITÉ !

8. Attendez 2 heures pour que le réservoir de stockage OI se remplisse complètement.
9. Videz le réservoir OI en ouvrant le robinet d'eau OI.
10. Remplissez à nouveau le réservoir de stockage OI et fermez la conduite d'alimentation en eau froide.
11. Videz le réservoir de stockage OI.
12. Remplacez le filtre COV et les autres filtres si nécessaire.

Conseil pratique : Inscrivez la date sur le filtre que vous avez remplacé et notez-la dans notre tableau utile sur le remplacement des filtres, à la dernière page de ce manuel, pour vous rappeler facilement la date à laquelle le filtre doit être remplacé à nouveau.

13. Après le remplacement d'un filtre, faites passer deux réservoirs d'eau pleins à travers le filtre et vidangez l'eau avant de la consommer.
14. Pour toute question complémentaire, veuillez consulter nos sites Internet aquatruwater.eu et aquatru.co.uk ou appeler notre service clientèle au +31 (0)24 20 22 195.

VÉRIFIEZ L'ÉTANCHÉITÉ !

FAQ et dépannage

PROBLÈME	CAUSE	SOLUTION
Production faible/ lente Le remplissage du réservoir prend plus de 3 heures.	Faible pression d'eau	Assurez-vous que l'alimentation en eau est activée et que le robinet est complètement ouvert. La pression de l'eau du robinet doit se situer au minimum à 275 kPa. Si votre maison ne dispose pas de 275kPa, nous vous recommandons de remplacer votre purificateur sous évier par un modèle de comptoir AquaTru équipé d'une pompe intégrée.
	Sertissage des tuyaux	Vérifiez les tuyaux, redressez-les et remplacez-les si nécessaire.
	Filtres bouchés	Si le taux de production était auparavant élevé mais qu'il a diminué de manière significative sur une période de plusieurs mois, vous devez remplacer le préfiltre et le filtre OI.
Faible débit d'eau au niveau du robinet	Vérifier la pression d'air dans le réservoir	Le réservoir de stockage OI doit avoir une pression de 6 à 8 PSI lorsqu'il est vide. Utilisez un manomètre et une pompe équipée d'une valve Schrader pour remplir le réservoir.
	Vanne du réservoir de stockage OI	Assurez-vous que le robinet du réservoir de stockage est complètement ouvert.
	Vérifier la présence du joint de désinfection dans le désinfectant	L'assainisseur de réservoir de stockage TruPure est expédié avec le joint stocké à l'intérieur de l'assainisseur. Avant l'installation, dévissez l'assainisseur pour accéder au petit sac à l'intérieur qui contient le joint, et utilisez ce joint lors de l'installation de la vanne du réservoir de stockage OI.
Faible quantité d'eau dans le réservoir	Démarrage du système	En général, il faut environ 2 heures pour remplir un réservoir. Remarque : Une pression et une température de l'eau faibles peuvent considérablement réduire le taux de production d'eau.
	Faible pression d'eau	La pression de l'eau du robinet doit se situer au minimum à 275 kPa. Si votre maison ne dispose pas d'une pression de 275 kPa, nous vous recommandons de remplacer votre purificateur sous évier par un modèle de comptoir AquaTru équipé d'une pompe intégrée.
	Trop d'air dans le réservoir de stockage	La pression du réservoir de stockage OI doit être de 55 PSI lorsqu'il est vide. Vérifiez la pression à l'aide d'un manomètre. Si la valeur relevée est supérieure à 55 kPa, laissez l'air s'échapper à l'aide de la valve Schrader située au bas du réservoir.

FAQ et dépannage

PROBLÈME	CAUSE	SOLUTION
Fuites au niveau du collecteur de filtre	Le filtre n'est pas complètement installé ou le joint torique est endommagé.	Vérifiez que le filtre est complètement installé. <ol style="list-style-type: none"> Dépressurisez les filtres en fermant la ligne d'alimentation en eau du robinet, puis en fermant la vanne du réservoir de stockage OI » Fermez le robinet d'alimentation en eau. Fermez la vanne du réservoir de stockage OI. Ouvrez le robinet OI. Lorsque l'eau cesse de couler du robinet, vous pouvez retirer chaque filtre en toute sécurité. Inspectez le joint torique. Réinstallez les filtres en veillant à ce qu'ils soient complètement insérés. Repressurisez le système.
Fuites d'eau	Un joint n'est pas complètement étanche	Dépressurisez le système et retirez toute l'eau du réservoir. Retirez l'élément défectueux et inspectez le joint pour vous assurer qu'il ne présente aucun défaut. Si la fuite provient d'un filetage, appliquez un nouveau ruban de plombier, puis réinstallez les composants en veillant à les serrer comme indiqué dans le manuel.

Garantie limitée de deux ans

Votre purificateur d'eau AquaTru est garanti contre les défauts de matériaux et de fabrication pendant deux ans à compter de la date d'achat initiale. Si le produit présente un défaut matériel ou de fabrication, nous le réparerons ou le remplacerons sans frais pour vous (des frais d'expédition et de traitement s'appliquent). **La garantie n'inclut pas les filtres ni le réservoir de stockage.** Pour obtenir un service sous garantie, contactez simplement notre service clientèle au **+31 (0)24 20 22 195**.

Cette garantie ne couvre pas les filtres, les dommages causés par un accident, une mauvaise utilisation ou une utilisation autre que celle prévue et décrite dans le présent manuel, ni les dommages découlant d'un manque d'entretien et de nettoyage du produit, comme spécifié dans le présent manuel. Cette garantie ne s'applique qu'à l'acheteur initial du purificateur d'eau AquaTru.

TOUTES LES GARANTIES EXPRESSES ET IMPLICITES DE CE PRODUIT, Y COMPRIS LES GARANTIES IMPLICITES DE QUALITÉ MARCHANDE ET D'ADÉQUATION À UN USAGE PARTICULIER, SONT LIMITÉES À LA DURÉE DE LA PÉRIODE DE GARANTIE, ET AUCUNE GARANTIE, EXPRESSE OU IMPLICITE, NE S'APPLIQUERA APRÈS CETTE PÉRIODE.

Certains pays n'autorisent pas la limitation de la durée des garanties implicites, de sorte que la limitation ci-dessus peut ne pas s'appliquer à vous. Bien que cette garantie vous donne des droits légaux spécifiques, vous pouvez également jouir d'autres droits qui varient d'un pays à l'autre.

Coordonnées du service de garantie :

AquaTru Water B.V.
Groesbeekseweg 22 6524 DB Nijmegen
The Netherlands info@aquatruwater.eu

AQUATru®

Aquatruwater.eu
Aquatru.co.uk

©2024 AquaTru,® LLC. Tous droits réservés.

Fiches de remplacement des filtres

1 Filtre pré/carbone	2 Filtre OI	3 Filtre VOC
Date:	Date:	Date:
Date:	Date:	Date:
Date:	Date:	Date:
Date:	Date:	Date:
Date:	Date:	Date:
Date:	Date:	Date:
Date:	Date:	Date:
Date:	Date:	Date:
Date:	Date:	Date:
Date:	Date:	Date:
Date:	Date:	Date:
Date:	Date:	Date:
Date:	Date:	Date:
Date:	Date:	Date:
Date:	Date:	Date:
Date:	Date:	Date:
Date:	Date:	Date:
Date:	Date:	Date:
Date:	Date:	Date:
Date:	Date:	Date:
Date:	Date:	Date:
Date:	Date:	Date:
Date:	Date:	Date:

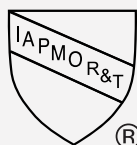
AQUATru[®]

UNDER SINK

AquaTru 4-stufiges Umkehrosmose-System

Owner's Manual	GB
Gebruikershandleiding	NL
Manuel d'utilisation	FR
Benutzerhandbuch	DE
Manuale del proprietario	IT
Manual de usuario	ES

ATU100



Dieses ATU100-System wurde von der IAPMO nach den NSF/ANSI-Standards 42, 53, 58, 372, 401 und P473 für die im Leistungsdatenblatt angegebenen Reduktionsansprüche zertifiziert. Dies wurde durch Test Datum und auf IAPMO.org verifiziert und nachgewiesen.

Table des matières

Sicherheitshinweise	2
Betriebsparameter	2
Vor der Installation	2
Lieferumfang	3

SCHRITTS de l'installation

AquaTru 4-stufiges Umkehrosmose-System Installationsschritte	4
Schlauch-Schnellverbindungsanleitung	4
Kaltwasseradapter	5
Abfluss-Installation	7
RO-Wasserhahninstallation	9
Installation des TruPure Vorratsbehälter-Desinfektionsmittels	10
Position und Montage des RO-Systems	11
RO-System Wasseranschluss	11
Systemwartung: Filter	13
Systemwartung	14
FAQ & Fehlerbehebung	16
Garantie	17
FilteraustauschDatumnsätze	18

WARNUNG 

Bitte lesen und bewahren Sie diese Anleitung auf, bevor Sie mit der Installation beginnen.

Sicherheitshinweise

- Die Installation muss den staatlichen und lokalen Gesetzen und Vorschriften entsprechen.
- Das System muss in Innenräumen installiert werden.
- Verwenden Sie kein mikrobiologisch unsicheres Wasser oder Wasser von unbekannter Qualität ohne ausreichende Desinfektion, bevor es in das System fließt.
- Halten Sie das System von Wärmequellen und direktem Sonnenlicht fern.
- Dieses Umkehrosmose-System enthält austauschbare Aufbereitungskomponenten, die für eine effektive Reduzierung der gesamten gelösten Feststoffe entscheidend sind. Das Produkt muss in regelmäßigen Zeiträumen getestet werden, um zu überprüfen, ob es wie gewünscht funktioniert.
- Dieses System ist für die Installation unter einem Waschbecken mit Zugang zu kaltem Leitungswasser und einem Abwasserabfluss vorgesehen.
- Stellen Sie sicher, dass alle elektrischen Geräte und Steckdosen am Schutzschalter ausgeschaltet sind, bevor Sie im Schrankbereich arbeiten, um die Gefahr eines Stromschlags zu vermeiden.
- Bitte tragen Sie beim Bohren eine Schutzbrille, um Ihre Augen zu schützen.

Paramètres de fonctionnement

- Tägliche Produktionsrate: 54 GPD
- Nennkapazität 1.360 Liter
- Betriebsdruck: 275 - 550 KPa
- Max. Gesamtmenge gelöster Feststoffe 1500 mg/l
- Maximale Härte 171 mg/l (10 gpg)
- Chlor < 2 PPM
- PH 3-11
- Trübung 5 NTU max

Vor der Installation**Überprüfen Sie das System :**

Bitte nehmen Sie alle Komponenten aus dem Karton. Kontrollieren Sie alle Teile und Anschlussstücke sorgfältig und vergewissern Sie sich, dass beim Transport nichts beschädigt wurde. Wenn ein Teil gerissen oder gebrochen ist, fahren Sie bitte nicht mit der Installation fort. Kontaktieren Sie den Kundendienst für weitere Unterstützung.

Für die Installation benötigte Werkzeuge :

- Elektrischer Bohrer
 - Bohrspitze:
 - 6 mm für die Abwasserleitung
 - 20 mm für den RO-Wasserhahn
- Einstellbarer Schlüssel
- Kreuzschlitzschraubendreher
- Universalmesser oder Schere
- PTFE-Band (oft auch als "Klempnerband" oder "Teflon® -Band" bezeichnet)

Qualifizierte Installateure

- Es wird empfohlen, einen qualifizierten Installateur zu verwenden.
- Der Installateur ist für die ordnungsgemäße Installation verantwortlich.
- Die Garantie erstreckt sich nicht auf Produktfehler, die auf eine unsachgemäße Installation zurückzuführen sind.

Paketinhalt



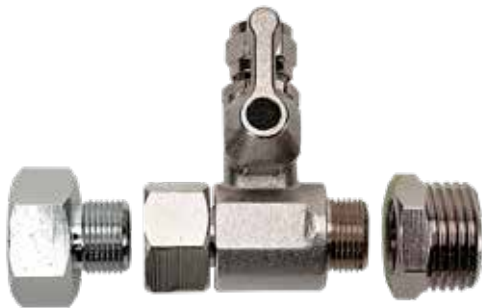
Filterverteiler und 3 Filter
(VOR-/Kohlefilter, RO-Filter & VOC-Filter)



RO-Vorratstank



RO-Wasserhahn



Kaltwasseradapter mit 3/8\"
-Adapter und 1/2\"
-Umwandlungsgewinde



Abfluss für Abwässer für 3,8 cm Abflussleitung



RO-Wasserhahn-Schnellanschluss (mit Klarsichtdichtung)



RO Vorratsbehälter-Ventil



TruPure Vorratsbehälter-Desinfektionsmittel (Einbaudichtung in der Kammer)



Installationsmaterial für den Filterverteiler

Installationsschritte für das AquaTru 4-stufige Umkehrosmose-System

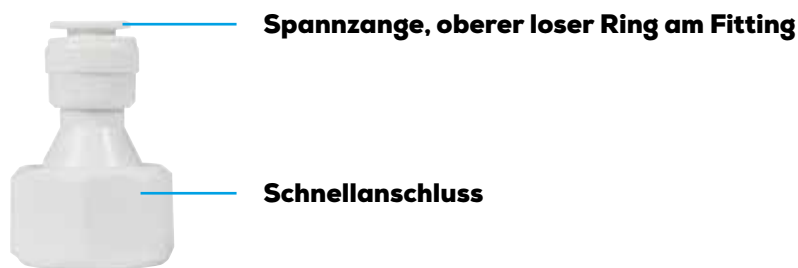
Die meisten Teile sind bereits montiert, so dass die Installation ein Kinderspiel ist. Wir führen Sie mit den folgenden Schritten durch den Rest:

1. So verwenden Sie die Schnellverschlüsse
2. Einbau des Kaltwasseradapters
3. Montage des Abflusses für RO-Abwasser
4. Installation des RO-Wasserhahns
5. Anschließen des TruPure Vorratsbehälter-Desinfektionsmittels
6. Position und Installation des RO-Wassersystems
7. Erstellen aller erforderlichen Wasseranschlüsse
8. Systemstart
9. Systemwartung

Beachten Sie unbedingt die oben angegebene Reihenfolge, um mögliche Probleme bei der Installation zu vermeiden.

SCHRITT 1 Schlauch-Schnellverbindungsanleitung

Der Schlauchanschluss in Ihrem Umkehrosmose-System ist mit einem Quick-Connect-Verriegelungsmechanismus ausgestattet, der den Schlauch an seinem Platz fixiert. Achten Sie darauf, dass Sie den Schlauch beim Auspacken nicht beschädigen. Schläuche, die am Ende geknickt oder anderweitig beschädigt sind, dichten nicht ab und lassen Wasser austreten. Wenn der Schlauch beschädigt ankommt, wenden Sie sich bitte an den Kundendienst.



Befestigter Schlauch:

Schieben Sie den Schlauch gerade und auf gleicher Höhe mit der Spannzange.

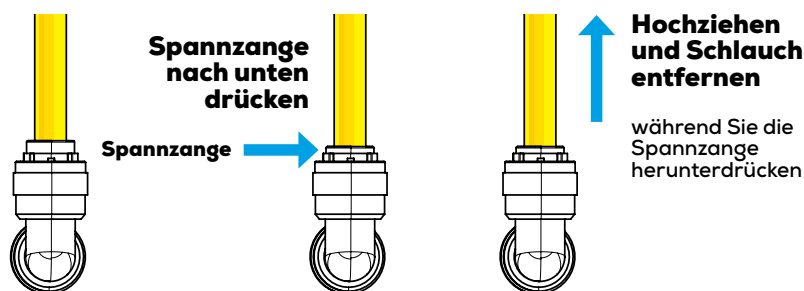
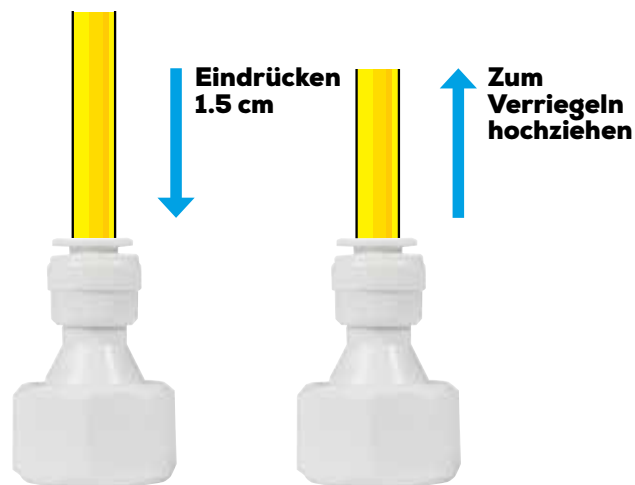
Der Schlauch wird 1,5 cm in die Spannzange eingeführt, bevor die Verriegelung aktiviert wird.

Ziehen Sie am Schlauch, um sicherzustellen, dass die Verriegelung aktiviert wurde und der Schlauch sicher ist.

Entriegelungsschlauch:

Drücken und halten Sie die Spannzange ein, um die Verriegelung zu lösen, während Sie sie herausziehen.

Die Spannzange muss beim Hochziehen des Schlauchs gedrückt gehalten werden, um den Schlauch freizugeben.



SCHRITT
2

Kaltwasseradapter

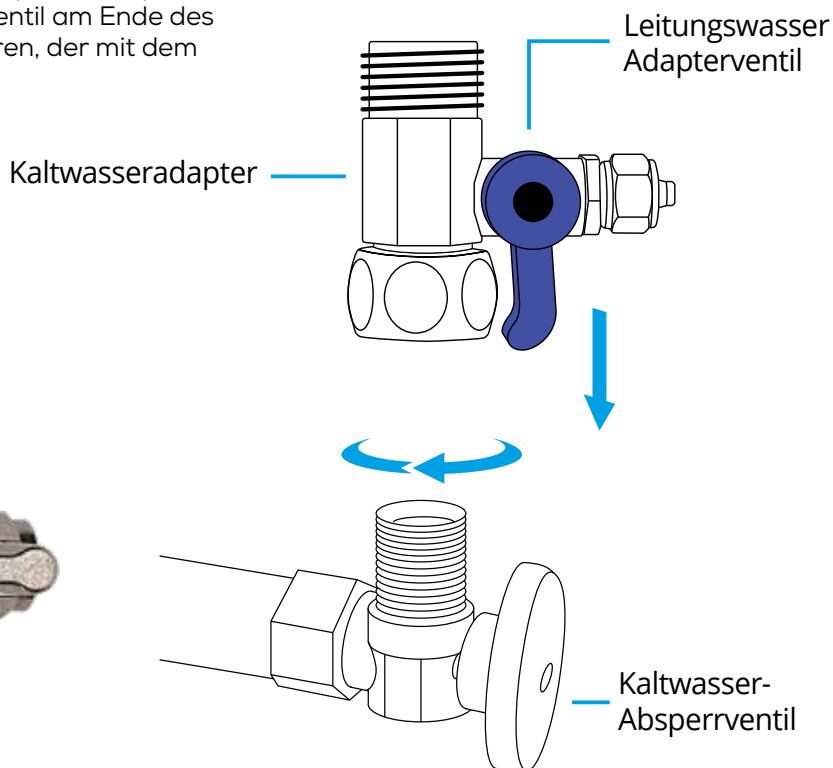
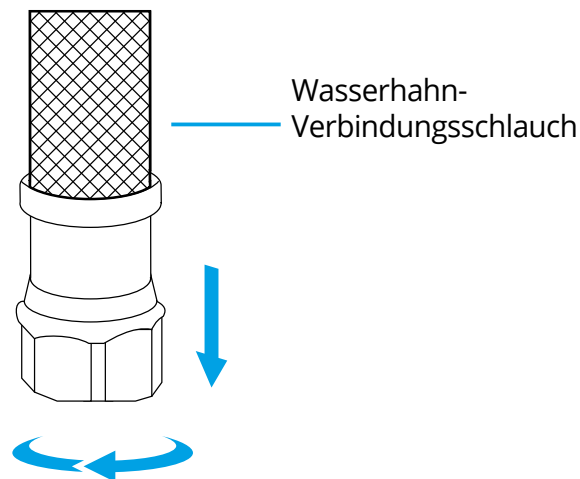
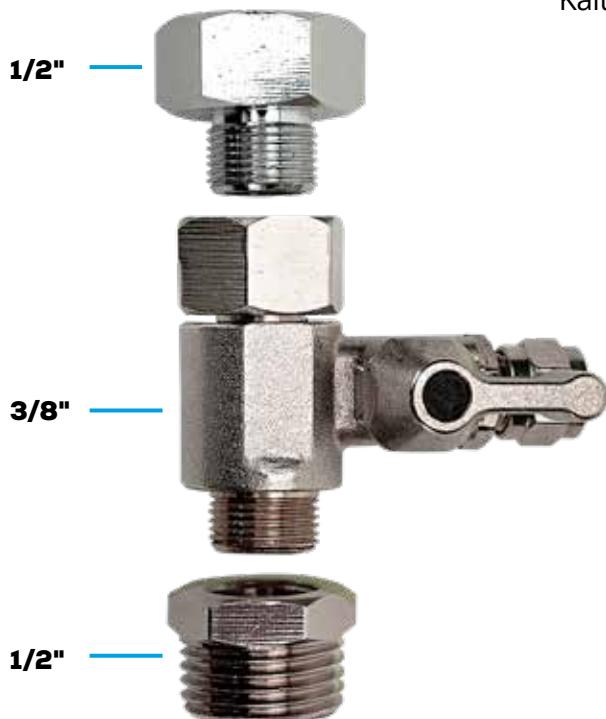
WARNUNG

Die Wasserversorgung des Geräts MUSS über die Kaltwasserleitung erfolgen. Heißes Wasser wird Ihr RO-System stark beschädigen.

Suchen Sie das Kaltwasserventil unter der Spüle und schalten Sie es aus. Als nächstes öffnen Sie den Kaltwassergriff an Ihrem Waschbecken, um den Druck abzulassen. Überprüfen Sie, ob das Wasser aufgehört hat zu fließen, bevor Sie fortfahren.

Hinweis: Bei Einhebelhähnen muss das Warmwasser möglicherweise ausgeschaltet werden, um eine Überkreuzung des Warmwassers während der Installation zu verhindern. Wenn bei ausgeschaltetem Kalt- und Warmwasserventil weiterhin Wasser aus dem Wasserhahn austritt, muss auch die Hauptwasserversorgung abgeschaltet werden.

Wenn das Ventil nicht auf das Kaltwasserabsperrentil passt, besteht eine zweite Möglichkeit darin, das Ventil am Ende des Wasserhahnanschlussschlauchs zu installieren, der mit dem Küchenhahn verbunden ist.



Hinweis: Das AquaTru Under Sink RO-System wird mit einem 3/8"-Adapter für kaltes Leitungswasser geliefert, der ein 1/2"-Umrüstgewinde hat. Nach Bedarf müssen Sie möglicherweise das zusätzliche Umrüstgewinde verwenden.

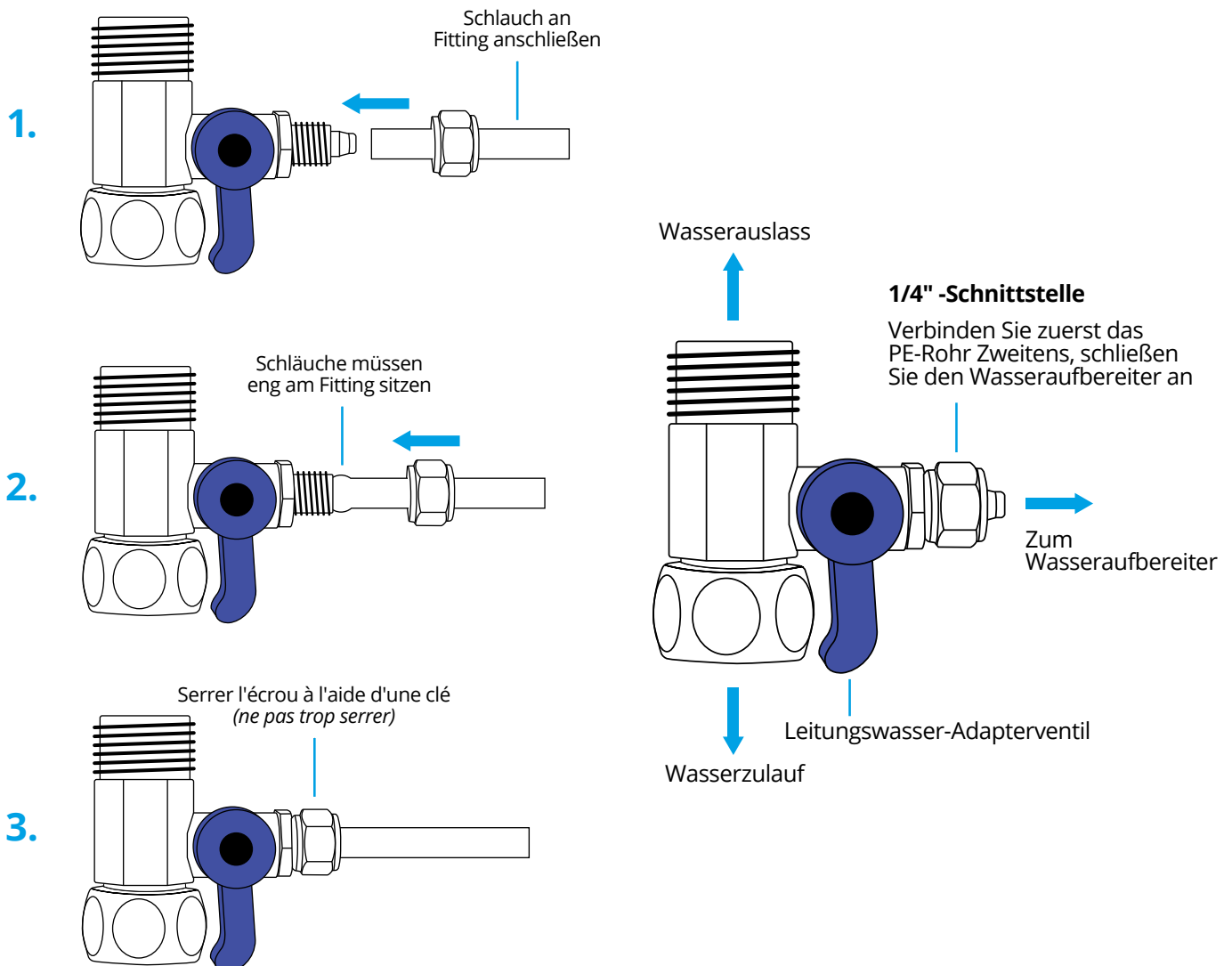
SCHRITT
2

Kaltwasseradapter

Bevor Sie den Adapter an die Wasserleitung anschließen, verbinden Sie den weißen Schlauch mit dem Ende des Adapters und installieren Sie den Adapter dann. Das AquaTru Untertisch-RO-System wird mit einem 3/8"-Adapter geliefert, der ein 1/2"-Umrüstgewinde hat. Bitte verwenden Sie die passende Adaptergröße für Ihre Rohrleitungen.

Ziehen Sie nach dem Anschluss des weißen Schlauchs an den Adapter für kaltes Leitungswasser daran, um sicherzustellen, dass er fest auf dem Adapter sitzt. Wickeln Sie das Absperrventil der Kaltwasserleitung mit Klebeband ein und umwickeln Sie dann das Außengewinde des Kaltwasseranschlusses mit Klebeband.

Zuerst installieren Sie den Adapter auf dem Kaltwasserventil, dann installieren Sie den Wasserhahnanschluss Schlauch auf dem Adapter.

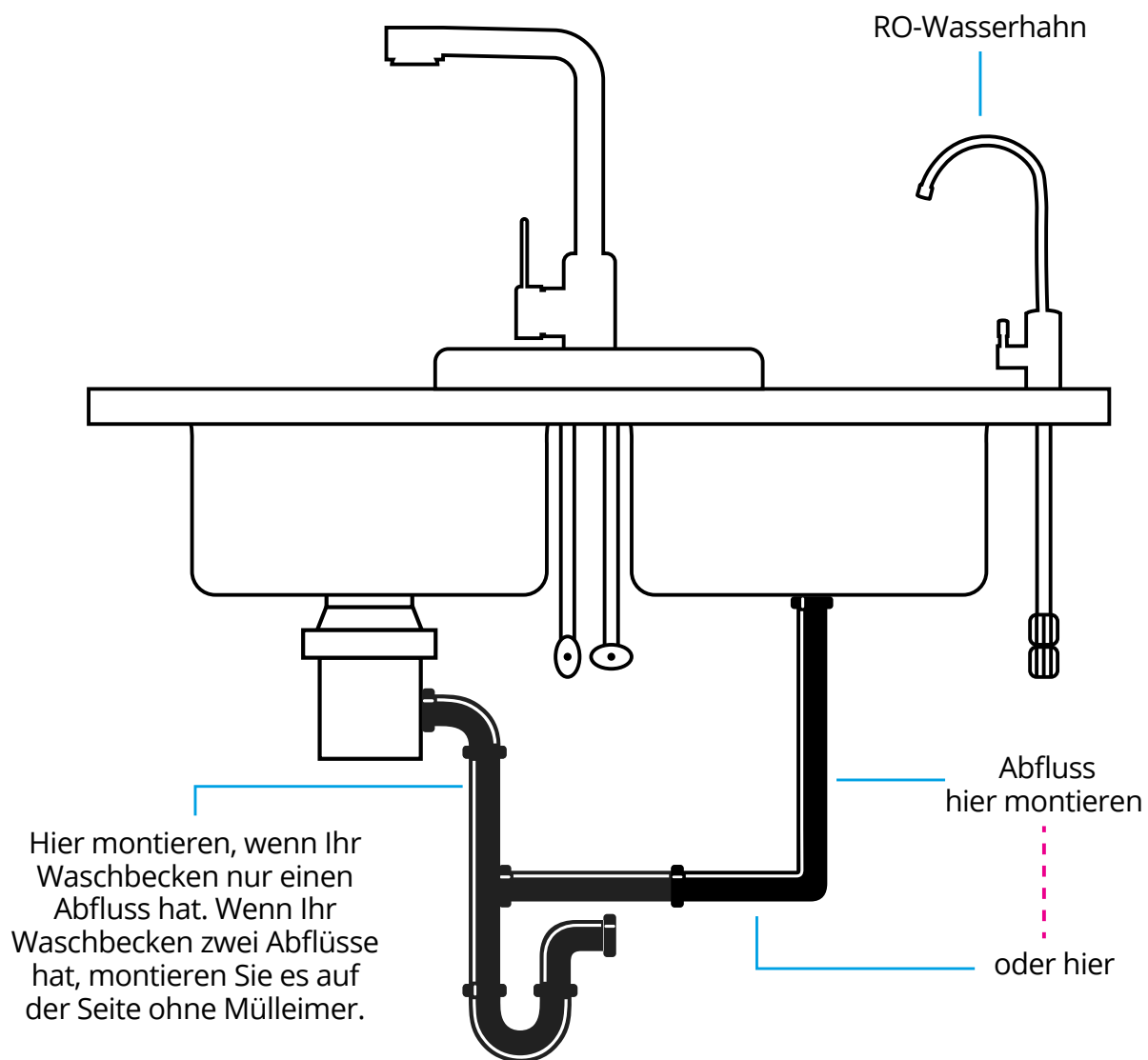


SCHRITT

3

Abfluss-Installation**Vorsicht**

Um mögliche Abflussgeräusche zu vermeiden, montieren Sie den Abfluss so tief wie möglich auf dem vertikalen Endstück. Montieren Sie den Abfluss oberhalb des Siphons auf dem vertikalen oder horizontalen Endstück.



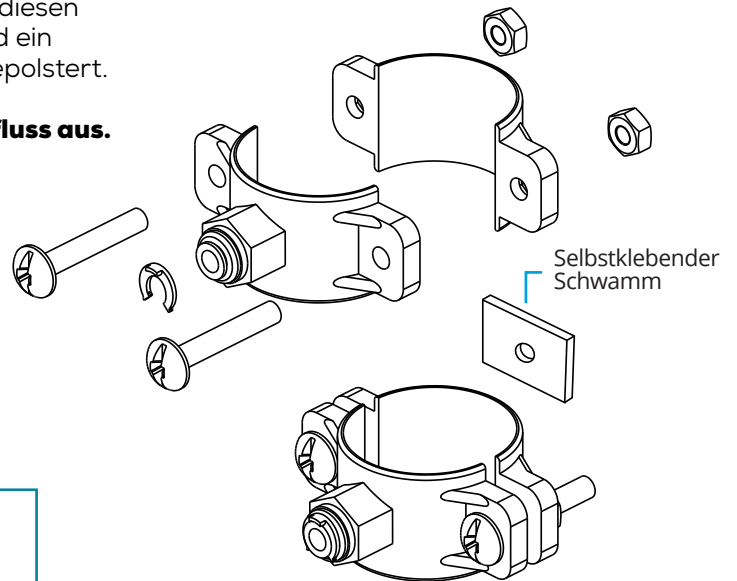
SCHRITT
3

Abfluss-Installation

Markieren Sie die Position des Lochs auf dem Abflussrohr und bohren Sie ein 6 mm Loch durch eine Seite des Abflussrohrs. Ein Stück selbstklebender Schwamm liegt bei. Kleben Sie diesen Schwamm auf die Innenseite des Abflusses. Dadurch wird ein eventueller Spalt zwischen dem Abfluss und dem Rohr gepolstert. **Vergewissern Sie sich, dass das Loch im Schwamm gut ausgestanzt ist, und richten Sie ihn auf das Loch im Abfluss aus.**

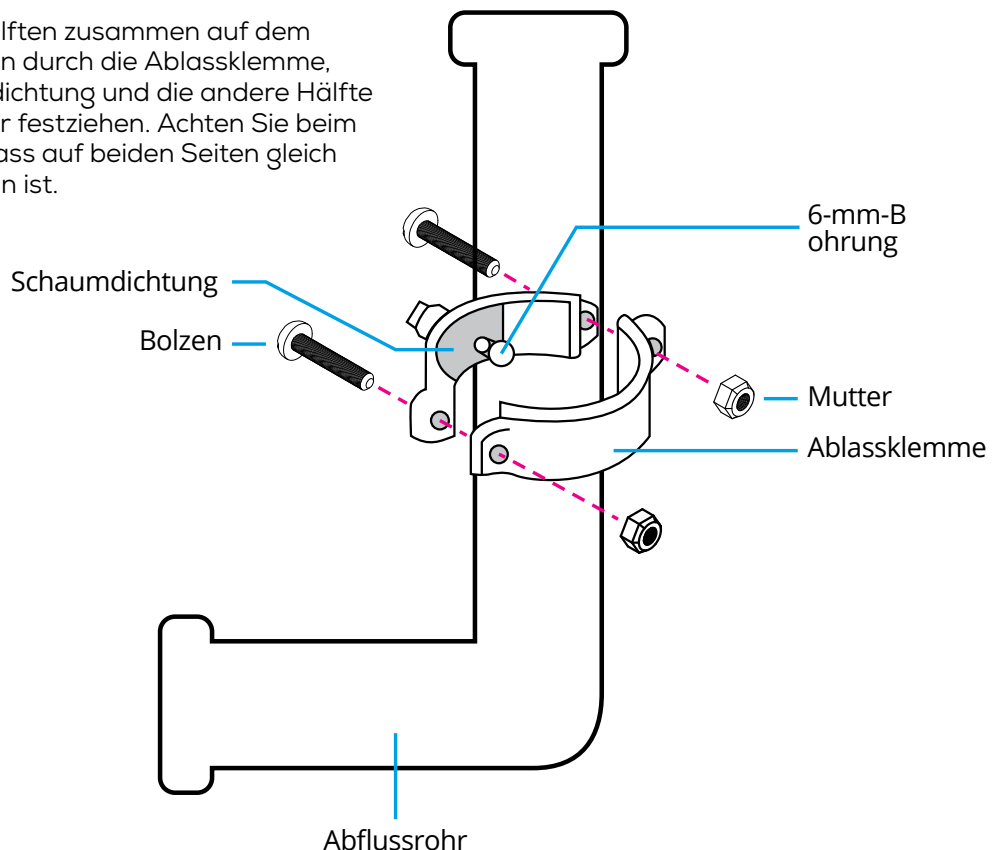
Nehmen Sie die halbe Seite des Abflusses ohne den Schaumstoff und stecken Sie eine Mutter in die Aussparung auf jeder Seite.

Positionieren Sie beide Hälften des Abflusses auf dem Abflussrohr, wobei die Öffnung des Abflusses über dem gebohrten Loch ausgerichtet sein sollte. Die Schaumstoffdichtung wird zwischen dem Abfluss und dem Bohrloch angebracht.



Tipp: Um sicherzustellen, dass das Loch am Abfluss mit dem Loch im Abflussrohr übereinstimmt, führen Sie den Bohrer in den Abfluss ein und verwenden Sie den Bohrer, um die beiden Löcher auszurichten, während Sie den Abfluss auf das Abflussrohr montieren.

Befestigen Sie die Abflussschellenhälften zusammen auf dem Abflussrohr. Schrauben Sie die Bolzen durch die Ablassklemme, die eine Hälfte mit der Schaumstoffdichtung und die andere Hälfte mit den beiden Muttern. Nicht zu sehr festziehen. Achten Sie beim Festziehen der Schrauben darauf, dass auf beiden Seiten gleich viel Platz zwischen den Abflusssätteln ist.



SCHRITT

4

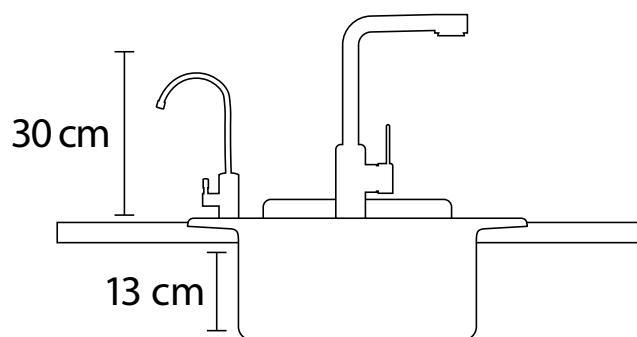
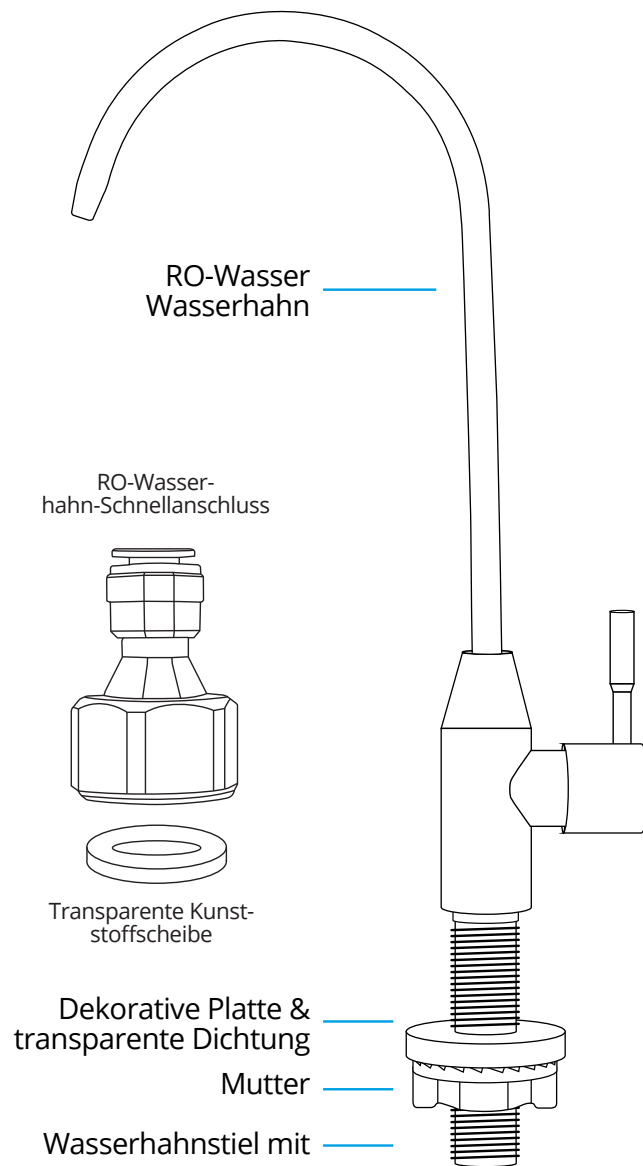
RO-Wasserhahninstallation

Der RO-Wasserhahn kann auf jeder ebenen Fläche installiert werden. Prüfen Sie die Unterseite Ihres Installationsortes auf Störungen, indem Sie sicherstellen, dass durch das Bohren eines Lochs keine Rohre oder Leitungen unter der Arbeitsplatte des Waschbeckens beschädigt werden. Vergewissern Sie sich, dass genügend Platz für den Gewindeschaft und die Mutter vorhanden ist.

Hinweis: Zum Bohren müssen Sie einen für das Material Ihres Waschbeckens oder Ihrer Arbeitsplatte geeigneten Bohrer und eine geeignete Bohrmethode verwenden. Für Edelstahl, Porzellan, Marmor usw. werden unterschiedliche Bohrer benötigt.

Sie können ein vorhandenes Loch in Ihrer Arbeitsplatte oder Ihrem Waschbecken verwenden oder ein neues Loch bohren (**wenn Sie ein vorhandenes Loch verwenden, beginnen Sie mit Schritt 2**). Vergewissern Sie sich, dass die Zierplatte des Wasserhahns und die Mutterplatte groß genug sind, um das von Ihnen verwendete Loch abzudecken.

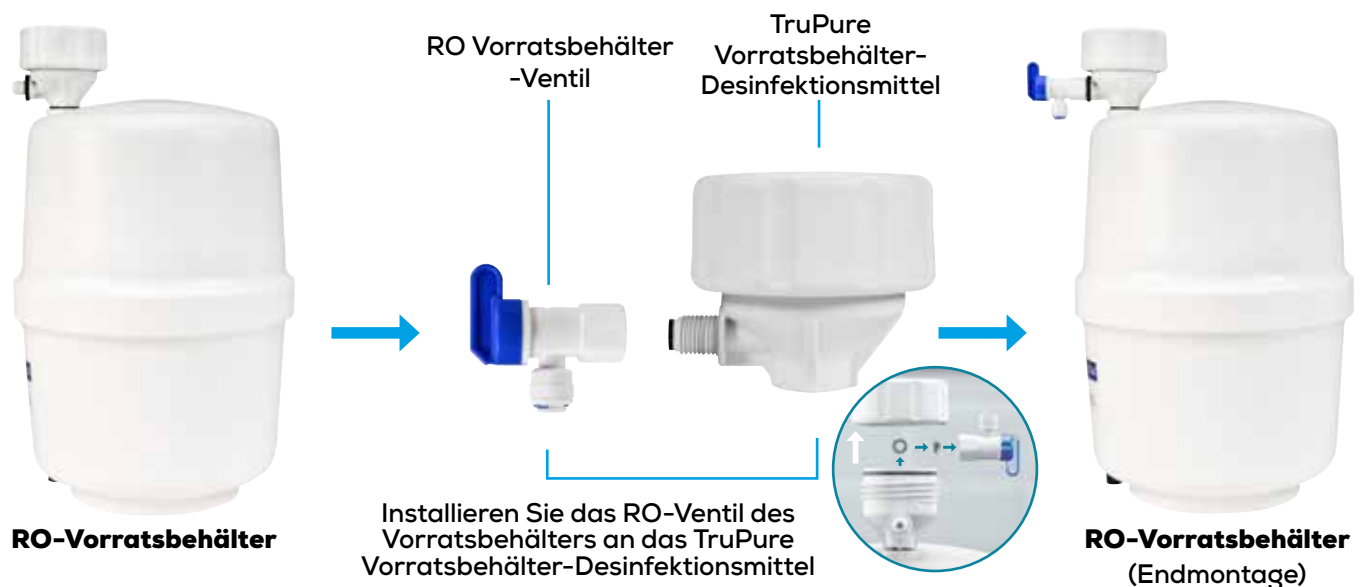
1. Bohren Sie ein **20 mm** großes Loch mit einem für das Material geeigneten Bohrer und Bohrverfahren.
2. Entfernen Sie die Kunststoffmutter vom Gewinde des Wasserhahns.
3. Führen Sie die Gewindespindel in das neu gebohrte oder bereits vorhandene Loch ein. Achten Sie darauf, dass die Zierplatten und die durchsichtige Dichtung auf der Gewindespindel bleiben und das Loch nach der Installation vollständig abdecken.
4. Montieren Sie Under Sink die Mutter aus Kunststoff auf den Gewindeschaft des Wasserhahns und vergewissern Sie sich, dass die mit dem Fitting mitgelieferte Dichtung im Fitting sitzt. Ziehen Sie es von Hand fest. Stellen Sie sicher, dass sich der Wasserhahn nicht bewegt und die obere Dekorplatte das Loch abdeckt.
5. Installieren Sie den RO-Wasserhahn-Schnellanschluss am Gewindeschaft. Wickeln Sie zuerst Klempnerband um den Faden. Stellen Sie sicher, dass die durchsichtige Unterlegscheibe vollständig in der Schnellkupplung sitzt. Schrauben Sie die Armatur auf den Gewindeschaft. Mit einem verstellbaren Schraubenschlüssel von Hand festziehen. **Nicht zu fest anziehen.**



SCHRITT
5

Installation des TruPure Vorratsbehälter-Desinfektionsmittels

1. Schrauben Sie die blaue Kappe vom RO-Haltebehälter ab.
2. Wickeln Sie das Klempnerband auf den Edelstahl-Gewindezapfen des RO-Haltebehälters.
3. Schrauben Sie das TruPure Vorratsbehälter-Desinfektionsmittel auf den Vorratsbehälter und ziehen Sie es handfest an.
4. Entfernen Sie die schwarze Dichtung im TruPure-Haltebehälter-Desinfektionsmittel. Setzen Sie diese Dichtung in das Tankventil ein.
5. Wickeln Sie Klempnerband um das Außengewinde des TruPure Vorratsbehälter-Desinfektionsmittels und schrauben Sie das RO-Vorratsbehälter-Ventil auf die Gewindespindel des TruPure Desinfektionsmittels, ziehen Sie es handfest an.



Hinweis: Entfernen Sie die schwarze Dichtung, die sich im Inneren des TruPure Vorratsbehälter-Desinfektionsmittels befindet, und setzen Sie sie in das Ventil des RO-Vorratsbehälters ein, bevor Sie es am Desinfektionsmittel installieren.

SCHRITT

6

Position und Montage des RO-Systems

Installieren Sie die drei Filter in den Filterverteiler gemäß dem Filterfarbcode. Suchen Sie den Bereich unter Ihrem Waschbecken, in dem Sie das RO-System installieren möchten (RO-Verteiler mit Filtern und RO-Vorratsbehälter).

Hinweis: Der Filterverteiler kann an einer Schrankwand montiert werden.

Nützlicher Tipp : Schreiben Sie das Datum der Filterinstallation mit einem Permanentmarker auf das Filtergehäuse oder verwenden Sie unsere hilfreiche Tabelle mit den Filterwechselprotokollen auf der letzten Seite dieses Handbuchs, damit Sie leicht feststellen können, wann Sie die Filter austauschen müssen.

Der **Vorfilter** sollte alle **6 Monate** ausgetauscht werden

Der **VOC-Filter** wird alle **12 Monate** ersetzt

Der **RO-Filter** wird alle **24 Monate** ersetzt

Der **VOC-Kohlefilter mit PH+ Mineral Boost** wird alle **12 Monate** ersetzt

Vorsicht

Vergewissern Sie sich vor der Montage des Filterverteilers an einer Schrankwand, dass diese das Gewicht der Filter und des Verteilers tragen kann und dass die Wand dick genug ist, um die Befestigungsschrauben aufzunehmen. Wenn die Montageschrauben zu lang sind, empfehlen wir Ihnen, in Ihrem Baumarkt kürzere Schrauben zu kaufen.

SCHRITT

7

Connexion à l'eau du système OI

Une fois que vous avez trouvé l'emplacement optimal pour vos filtres et votre réservoir OI, vous devez couper le tuyau de 60 mm à la bonne longueur en suivant le diagramme ci-dessous. Coupez le tuyau à l'aide d'un couteau utilitaire bien affûté. Veillez à ne pas plier ou endommager le tuyau.

Verbindungspunkt :**A nach B**

Verbinden Sie den weißen Schlauch von Punkt **A** des Leitungswasser-Adapterventils mit dem mit **B** gekennzeichneten Fitting, das mit "**Kaltwasserzufuhr**" auf dem Filterverteiler markiert ist.

**C nach D**

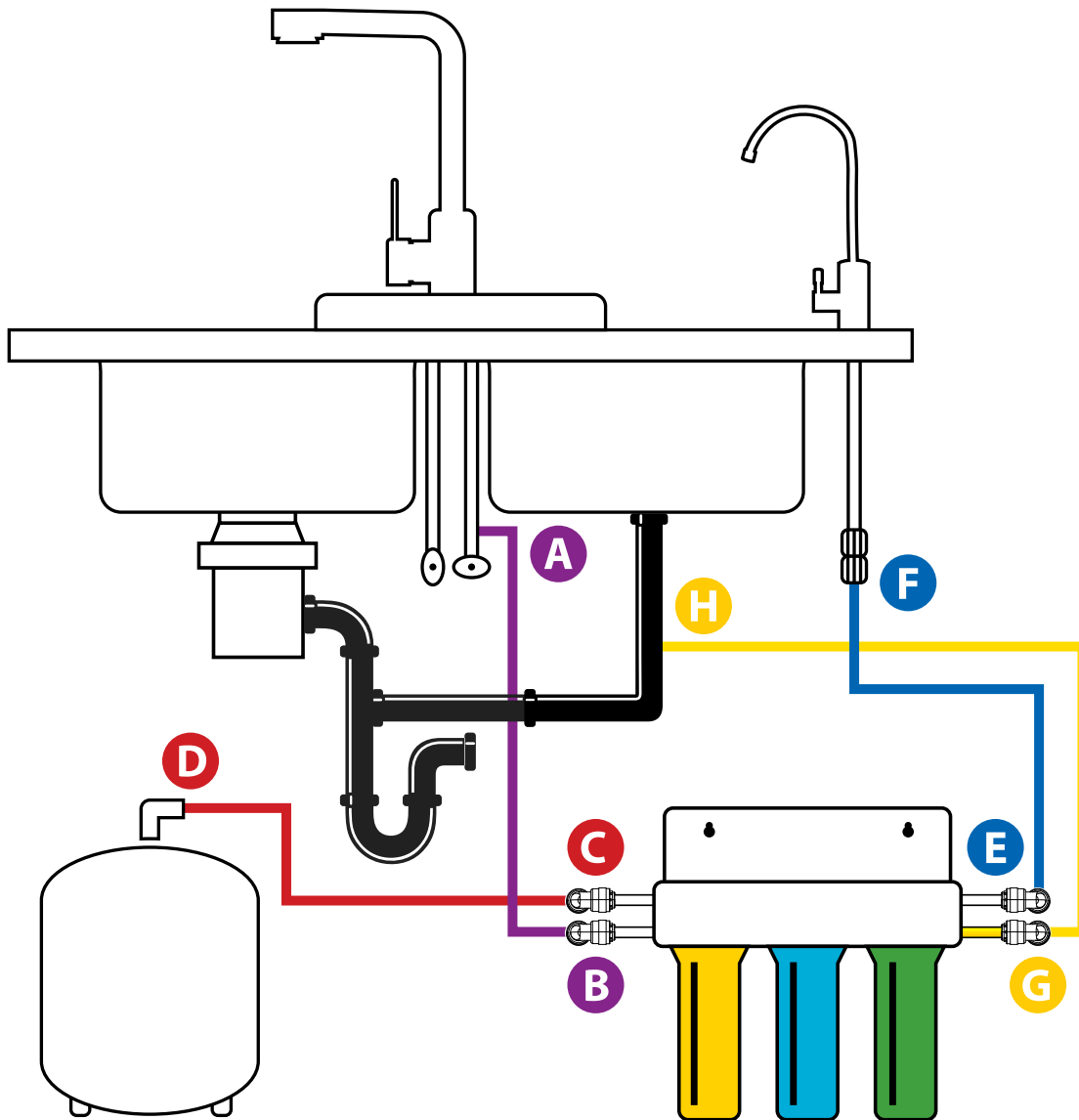
Schließen Sie den weißen Schlauch an das Fitting **C** mit der Aufschrift "**Vorratsbehälter**" am Filterverteiler an und verbinden Sie das andere Ende mit dem Ventil **D** des Vorratsbehälters.

**E nach F**

Verbinden Sie den weißen Schlauch mit dem mit "**RO-Wasserhahn**" gekennzeichneten Fitting **E** am Filterverteiler und schließen Sie dann das andere Ende an das Fitting **F** des RO-Wasserhahns an.

**G nach H**

Verbinden Sie den gelben Schlauch mit dem Fitting mit der Aufschrift "**Abfuss**" - **G** am Filterverteiler und schließen Sie das andere Ende an das Abflussventil **H** an.



- Kaltwasserversorgung
- Vorratsbehälter
- RO-Wasserhahn
- Abfluss

Systemwartung: Filter**Schalten Sie das Leitungswasser ein :**

Schalten Sie langsam Ihre Kaltwasserversorgung ein und öffnen Sie dann das Leitungswasseradaptventil (gegen den Uhrzeigersinn drehen), damit unbehandeltes Wasser in das System gelangen kann.

PRÜFEN SIE AUF UNDICHTE STELLEN!**RO Vorratsbehälter-Ventil :**

Öffnen Sie den Kugelhahn des Tanks, damit Wasser in den Tank eindringen kann. **Das Ventil des Tanks ist "ein", wenn der Ventilgriff parallel (in die gleiche Richtung) zum Ventilauslass ist.**

PRÜFEN SIE AUF UNDICHTE STELLEN!**Warten Sie, bis der Tank gefüllt ist :**

Füllen Sie den Vorratsbehälter für die Umkehrosmose vor dem Gebrauch und entleeren Sie ihn zweimal vollständig. Warten Sie 2 bis 3 Stunden, bis der Behälter gefüllt ist. Wenn der Behälter gefüllt ist, schaltet sich das RO-System automatisch ab.

ACHTUNG :

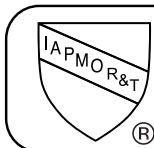
Wenn das Gerät zum ersten Mal mit Wasser gefüllt wird, werden einige winzige schwarze Partikel aus dem Kohlefilter gespült. Es ist wichtig, dass Sie den RO Vorratsbehälter füllen und ihn 2 Mal entleeren, bevor Sie das Wasser verbrauchen.

Behälter entleeren :

Öffnen Sie den RO-Wasserhahn, um den Behälter zu entleeren. Lassen Sie den Behälter vollständig ablaufen, bevor Sie den Hebel schließen.

PRÜFEN SIE AUF UNDICHTE STELLEN!

Vergewissern Sie sich, dass keine undichten Stellen an den Anschlüssen, Fittings, Ventilen und Schläuchen vorhanden sind.

ENDE DER INSTALLATION

AquaTru® ATU100 ist gemäß ANSI/NSF Standard 42, 53, 58, 401 & P473 zertifiziert, um 74 Verunreinigungen zu entfernen, wie im Leistungsdatenblatt angegeben.

Systemwartung**Filterwechsel :**

Das RO-System enthält drei Filter, die in regelmäßigen Abständen ausgetauscht werden müssen, um die Leistung zu erhalten. **Verwenden Sie nur original AquaTru-Filter.** Die drei Filter sind:

- **Der Vorfilter (AT2001)** sollte alle 6 Monate oder alle 2270L ausgetauscht werden, je nachdem, was zuerst eintritt.
- **Der VOC-Filter (ATU2003)** wird alle 12 Monate oder alle 1360L ausgetauscht, je nachdem, was zuerst eintritt.
Beim Austausch dieses Filters empfehlen wir, auch den Vorratsbehälter zu desinfizieren.
Siehe Desinfizieren des RO-Haltebehälters, bevor Sie fortfahren.
- **Der RO-Filter (AT2002)** wird alle 24 Monate oder alle 4540L ausgetauscht, je nachdem, was zuerst eintritt.
Beim Austausch dieses Filters empfehlen wir, auch den Vorratsbehälter zu desinfizieren.
Siehe Desinfizieren des RO-Haltebehälters, bevor Sie fortfahren.
- **Optionaler VOC Carbon mit PH+ Mineral Boost Filter (ATU2004)** wird alle 12 Monate oder 1360L ausgetauscht, je nachdem, was zuerst eintritt.

Bezugsquellen für Ersatzteile : Aquatruwater.eu / Aquatru.co.uk

Tipps, bevor Sie beginnen:

1. Stellen Sie sicher, dass der Servicebereich frei von überschüssigem Schmutz oder Staub ist, um kontaminierte Teile nicht zu verschmutzen.
2. Hände mit Wasser und Seife waschen und/oder Hygienehandschuhe tragen.

So wechseln Sie Ihre Filter

1. Schalten Sie die Kaltwasserversorgungsleitung ab.
2. Leeren Sie den RO-Vorratsbehälter, indem Sie den RO-Wasserhahn öffnen.
3. Entfernen Sie den zu ersetzenden Filter.

Hilfreicher Tipp: Der Filter kann aus der Basis herausgeschwenkt werden, um das Abschrauben zu erleichtern.

4. Installieren Sie den neuen Filter und stellen Sie sicher, dass der Filter vollständig installiert ist.

Hilfreicher Tipp: Schreiben Sie das Datum der Filterinstallation mit einer permanenten Markierung auf den Filterkörper, oder verwenden Sie unser hilfreiches Filteraustauschprotokoll auf der letzten Seite dieses Handbuchs, damit Sie leicht erkennen können, wann die Filter ausgetauscht werden müssen.

5. Schließen Sie den RO-Wasserhahn.
6. Öffnen Sie die Leitung für kaltes Leitungswasser.

PRÜFEN SIE AUF UNDICHTHE STELLEN!

7. Nachdem der Vorratsbehälter für die Umkehrosmose vollständig gefüllt wurde, leeren Sie ihn, um den Filter vor dem Verbrauch auszuspülen.
8. Füllen Sie den RO Vorratsbehälter auf.

Systemwartung: Desinfektion des RO-Behälters

Desinfizieren Sie den RO-Vorratsbehälter:

Das RO-System sollte einmal im Jahr desinfiziert werden. Wir empfehlen, dass Sie den Desinfektionsvorgang jedes Mal durchführen, wenn Sie den VOC-Filter austauschen, also alle 12 Monate. Sie müssen den Desinfektionsvorgang abschließen, bevor Sie den VOC-Filter austauschen. Bitte gehen Sie wie folgt vor:

Für beste Ergebnisse, Wir empfehlen Ihnen, 15 ml Haushaltsbleichmittel zu verwenden. Um sicherzustellen, dass die Tanks sterilisiert werden, überprüfen Sie, ob das Bleichmittel nicht abgelaufen ist. Wenn es abgelaufen ist, kaufen Sie neues Bleichmittel.

Tipps, bevor Sie beginnen:

1. Stellen Sie sicher, dass Sie eine Desinfektionslösung und einen neuen VOC-Filter haben.
2. Stellen Sie sicher, dass der Servicebereich frei von überschüssigem Schmutz oder Staub ist, um kontaminierte Teile nicht zu verschmutzen.
3. Hände mit Wasser und Seife waschen und/oder Hygienehandschuhe tragen.

So desinfizieren Sie Ihren RO-Behälter

1. Schalten Sie die Kaltwasserversorgungsleitung zum RO-System ab.
2. Öffnen Sie den RO-Wasserhahn und lassen Sie das Wasser aus dem RO-Vorratsbehälter ab. Vergewissern Sie sich, bevor Sie fortfahren, dass der Behälter vollständig leer ist.
3. Schrauben Sie die obere Kappe des TruPure Vorratsbehälter-Desinfektionsmittels ab. **Hinweis: Wenn der Behälter nicht vollständig entleert ist, stehen der RO-Vorratsbehälter und das Desinfektionsmittel unter Druck und versprühen beim Öffnen Wasser.**
4. Gießen Sie 15 ml Bleichmittel in den Behälter Desinfektionsmittel. Wenn sich zu viel Wasser im Desinfektionsmittel befindet, um Bleichmittel hinzuzufügen, gießen Sie das Wasser aus, bevor Sie das Bleichmittel hinzufügen.
5. Schließen Sie den Deckel des Behälters wieder an und achten Sie darauf, dass er fest sitzt.
6. Schalten Sie den RO-Wasserhahn aus.
7. Schalten Sie die Kaltwasserzufuhr für das System ein, um das RO-System zu füllen.

PRÜFEN SIE AUF UNDICHTHE STELLEN!

8. Warten Sie 2 Stunden, bis sich der Vorratsbehälter der Umkehrosmose vollständig gefüllt hat.
9. Leeren Sie den RO-Vorratsbehälter, indem Sie den RO-Wasserhahn öffnen.
10. Füllen Sie den RO-Vorratsbehälter wieder auf und schließen Sie die Kaltwasserzufuhr.
11. Entleeren Sie den RO-Vorratsbehälter.
12. Ersetzen Sie den VOC-Filter und andere Filter nach Bedarf.

Hilfreicher Tipp: Schreiben Sie das Datum auf den Filter, den Sie ausgetauscht haben, und vermerken Sie es in unserer hilfreichen Tabelle zum Filteraustausch auf der letzten Seite dieses Handbuchs, damit Sie sich leicht daran erinnern können, wann der Filter erneut ausgetauscht werden muss.

13. Lassen Sie nach dem Auswechseln eines Filters zwei volle Behälter mit Wasser durch den Filter laufen und lassen Sie das Wasser ablaufen, bevor Sie das Wasser verbrauchen.
14. Sollten Sie weitere Fragen haben, besuchen Sie bitte unsere Websites unter aquatruwater.eu, aquatru.co.uk oder rufen Sie unseren Kundendienst unter +31 (0)24 20 22 195 an.

PRÜFEN SIE AUF UNDICHTHE STELLEN!

FAQ & Fehlerbehebung

PROBLEM	URSACHE	LÖSUNG
Niedrige / langsame Produktion Es dauert länger als 3 Stunden, um den Tank zu füllen	Niedriger Wasserdruck	Stellen Sie sicher, dass die Wasserversorgung eingeschaltet und das Ventil vollständig geöffnet ist. Der Leitungswasserdruck sollte mindestens 275 kPa betragen. Wenn Ihr Haus nicht über einen Druck von 275 kPa verfügt, empfehlen wir Ihnen, Ihren Luftreiniger Under Sink durch ein AquaTru-Tischmodell mit eingebauter Pumpe zu ersetzen.
	Knicke in Schläuchen	Überprüfen Sie die Schläuche und richten Sie sie aus und ersetzen Sie sie bei Bedarf.
	Verstopfte Filter	Wenn die Produktionsrate zuvor hoch war, aber über einen Zeitraum von mehreren Monaten deutlich zurückgegangen ist, sollten Sie den Vorfilter und den RO-Filter ersetzen.
Niedriger Wasserdurchfluss aus dem Wasserhahn	Prüfen Sie den Luftdruck im Behälter	Der RO-Vorratsbehälter sollte im leeren Zustand einen Druck von 6 bis 8 PSI aufweisen. Verwenden Sie zum Nachfüllen des Behälters ein Manometer und eine Pumpe mit einem Schrader-Ventilanschluss.
	RO Vorratsbehälter-Ventil	Stellen Sie sicher, dass das Ventil des Haltetanks vollständig geöffnet ist.
	Prüfen Sie, ob die Dichtung im Desinfektionsmittel gereinigt worden ist	Das TruPure Vorratsbehälter-Desinfektionsmittel wird mit der Dichtung im Inneren des Behälters geliefert. Schrauben Sie vor der Installation den Vorratsbehälter ab, um an den kleinen Beutel mit der Dichtung zu gelangen. Verwenden Sie diese Dichtung, wenn Sie das Ventil des Vorratsbehälters installieren.
Geringe Wassermenge im Behälter	Systemstart	Normalerweise dauert es etwa 2 Stunden, um einen Tank zu füllen. Hinweis: Ein niedriger Eingangsdruck und eine niedrige Wassertemperatur können die Wasserproduktionsrate drastisch reduzieren.
	Niedriger Wasserdruck	Der Leitungswasserdruck sollte mindestens 275 kPa betragen. Wenn Ihr Haus nicht über 275 kPa verfügt, empfehlen wir Ihnen, Ihren Under Sink Wasseraufbereiter durch ein AquaTru Tischmodell zu ersetzen, das mit einer eingebauten Pumpe ausgestattet ist.
	Zu viel Luft im Vorrattank	Der RO-Vorratsbehälter sollte im leeren Zustand einen Druck von 55 kPa aufweisen. Verwenden Sie ein Manometer, um den Druck zu überprüfen. Wenn der Messwert höher als 55 kPa ist, lassen Sie die Luft mit dem Schrader-Ventil am Boden des Tanks ab.

FAQ & Fehlerbehebung

PROBLEM	URSACHE	LÖSUNG
Undichtigkeiten des Filters Verteiler	Filter nicht vollständig installiert oder O-Ring beschädigt	Überprüfen Sie, ob der Filter vollständig installiert ist. <ol style="list-style-type: none"> 1. Sorgen Sie für eine Druckentlastung der Filter, indem Sie die Wasserzufuhr abdrehen und dann das Ventil des RO Vorratsbehälters schließen." 2. Drehen Sie den Wasserhahn zu. 3. Drehen Sie das Ventil des Vorratsbehälters für RO ab. 4. Öffnen Sie den RO-Wasserhahn. Wenn kein Wasser mehr aus dem Wasserhahn fließt, können Sie jeden Filter entfernen. 5. O-Ring prüfen. 6. Setzen Sie die Filter wieder ein und achten Sie darauf, dass sie vollständig eingesetzt sind. 7. Das System wieder unter Druck setzen.
Wasserlecks	Eine Dichtung dichtet nicht vollständig ab	Machen Sie das System drucklos und entfernen Sie das gesamte Wasser aus dem Behälter. Entfernen Sie das undichte Teil und untersuchen Sie die Dichtung, um sicherzustellen, dass sie frei von Defekten ist. Wenn die Leckage von einem Gewinde herrührt, bringen Sie neues Klebeband an und montieren Sie die Komponenten wieder, wobei Sie darauf achten, dass Sie sie gemäß der Anleitung festziehen.

Garantie limitée de deux ans

Auf Ihren AquaTru Wasseraufbereiter gewähren wir eine Garantie von zwei Jahren ab dem ursprünglichen Kaufdatum auf Material- und Verarbeitungsfehler. Sollte das Produkt einen Material- oder Verarbeitungsfehler aufweisen, werden wir es kostenlos reparieren oder ersetzen (eine Versand- und Bearbeitungsgebühr wird erhoben). **Die Garantie gilt nicht für Filter und Behälter.** Um einen Garantieservice in Anspruch zu nehmen, rufen Sie einfach unseren Kundendienst unter **+31 (0)24 20 22 195 an.**

Diese Garantie erstreckt sich nicht auf Filter, Schäden, die durch Unfälle, Missbrauch oder eine andere als die in diesem Handbuch beschriebene Verwendung verursacht wurden, sowie auf Schäden, die darauf zurückzuführen sind, dass das Produkt nicht wie in diesem Handbuch beschrieben gewartet und gereinigt wurde. Diese Garantie gilt nur für den Erstkäufer des AquaTru Wasseraufbereiters.

ALLE AUSDRÜCKLICHEN UND STILLSCHWEIGENDEN GARANTIE FÜR DIESES PRODUKT, EINSCHLIESSLICH DER STILLSCHWEIGENDEN GARANTIE FÜR DIE MARKTGÄNGIGKEIT UND DIE EIGNUNG FÜR EINEN BESTIMMTEN ZWECK, SIND AUF DIE GARANTIEZEIT BESCHRÄNKT, UND KEINE GARANTIE, OB AUSDRÜCKLICH ODER STILLSCHWEIGEND, GELTEN NACH DIESER ZEIT.

In einigen Ländern ist eine Begrenzung der Dauer stillschweigender Garantien nicht zulässig, so dass die obige Einschränkung für Sie möglicherweise nicht gilt. Diese Garantie gibt Ihnen zwar bestimmte Rechte, aber Sie können auch andere Rechte haben, die von Land zu Land unterschiedlich sind.

Kontaktinformationen für den Garantieservice:

AquaTru Water B.V.
Groesbeekseweg 22 6524 DB Nijmegen
The Netherlands info@aquatruwater.eu

AQUATru®

Aquatruwater.eu
Aquatru.co.uk

©2024 AquaTru,® LLC. Alle Rechte vorbehalten.

FilteraustauschDatumnsätze

1 Vor-/Kohlefilter	2 RO-Filter	3 VOC-Filter
Datum:	Datum:	Datum:
Datum:	Datum:	Datum:
Datum:	Datum:	Datum:
Datum:	Datum:	Datum:
Datum:	Datum:	Datum:
Datum:	Datum:	Datum:
Datum:	Datum:	Datum:
Datum:	Datum:	Datum:
Datum:	Datum:	Datum:
Datum:	Datum:	Datum:
Datum:	Datum:	Datum:
Datum:	Datum:	Datum:
Datum:	Datum:	Datum:
Datum:	Datum:	Datum:
Datum:	Datum:	Datum:
Datum:	Datum:	Datum:
Datum:	Datum:	Datum:
Datum:	Datum:	Datum:
Datum:	Datum:	Datum:
Datum:	Datum:	Datum:
Datum:	Datum:	Datum:
Datum:	Datum:	Datum:
Datum:	Datum:	Datum:
Datum:	Datum:	Datum:

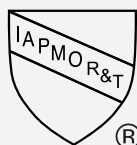
AQUATru[®]

SOTTOLAVELLO

Sistema ad osmosi inversa a 4 stadi AquaTru

Owner's Manual	GB
Gebruikershandleiding	NL
Manuel d'utilisation	FR
Benutzerhandbuch	DE
Manuale del proprietario	IT
Manual de usuario	ES

ATU100



ATU100 Questo sistema ATU100 è stato certificato da IAPMO rispettando gli standard NSF/ANSI 42, 53, 58, 372, 401 e P473 per le indicazioni di riduzione specificate nella scheda tecnica delle prestazioni, come verificato e comprovato dai dati sperimentali e sul sito IAPMO.org.

Sommario

Istruzioni di sicurezza	2
Parametri operativi	2
Prima dell'installazione	2
Contenuto della confezione	3

Fasi di montaggio

Montaggio sistema ad osmosi inversa a 4 stadi AquaTru	4
Guida alla tubazione Quick Connect	4
Adattatore per presa d'acqua potabile fredda	5
Installazione della presa a staffa per lo scarico	7
Installazione del rubinetto RO	9
Installazione del sanificatore per serbatoi di stoccaggio TruPure	10
Posizionamento e montaggio del sistema RO	11
Collegamento acqua sistema RO	11
Manutenzione del sistema: Filtri	13
Manutenzione del sistema	14
FAQ e risoluzione dei problemi	16
Garanzia	17
Registro di sostituzione dei filtri	18

ATTENZIONE

Leggere attentamente e conservare le presenti istruzioni prima di procedere all'installazione.

Istruzioni di sicurezza

- Die Installation muss den staatlichen und lokalen Gesetzen und Vorschriften entsprechen.
- L'installazione deve essere conforme alle leggi e alle normative statali e locali.
- Il sistema deve essere montato in un ambiente chiuso.
- Non utilizzare con acqua non sicura dal punto di vista microbiologico o con acqua di qualità sconosciuta senza un'adeguata disinfezione prima dell'ingresso dell'acqua nell'impianto.
- Tenere il sistema lontano da fonti di calore e luce solare diretta.
- Il presente sistema a osmosi inversa contiene componenti per il trattamento sostituibili, fondamentali per una riduzione efficace dei solidi disciolti totali. Il prodotto deve essere testato periodicamente per verificare che il sistema funzioni in modo soddisfacente.
- Il presente sistema deve essere installato sotto un lavandino con accesso ad acqua potabile fredda e a uno scarico delle acque reflue.
- Per evitare il rischio di scosse elettriche, assicurarsi che tutti gli apparecchi e le prese elettriche siano spenti tramite interruttore prima di lavorare nell'area del mobile.
- Indossare occhiali protettivi durante la foratura.

Parametri operativi

- Produzione giornaliera: 54 GPD
- Capacità nominale 1360 litri
- Pressione di esercizio: 275-550 KPa
- Max solidi disciolti totali 1500 mg/L
- Durezza massima 171 mg/l (10 gpg)
- Cloro < 2 PPM
- PH 3-11
- Torbidità 5 NTU max

Prima dell'installazione

Ispezionare il sistema:

Estrarre tutti i componenti dalla confezione. Ispezionare attentamente tutti i componenti e i raccordi per verificare che nulla sia stato danneggiato durante il trasporto. Se qualche elemento risultasse rotto o incrinato, non procedere all'installazione. Contattare il servizio clienti per assistenza.

Strumenti necessari all'installazione:

- Trapano elettrico
 - Punta da trapano:
 - 6 mm per la linea delle acque reflue
 - 20 mm per il rubinetto dell'acqua RO
- Chiave inglese
- Cacciavite a croce
- Cutter o forbici
- Nastro in PTFE (spesso chiamato "nastro per idraulica" o "nastro in Teflon®")

Installatori qualificati

- Si raccomanda di rivolgersi a un installatore qualificato.
- L'installazione corretta è responsabilità dell'installatore.
- La garanzia non si estende ad eventuali guasti dovuti a un'installazione non conforme.

Contenuto della confezione



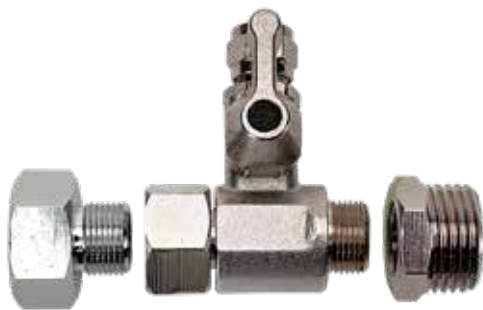
Collettore del filtro e 3 filtri
(Filtro Pre/Carbone, Filtro RO e Filtro VOC)



Serbatoio di stoccaggio RO



Rubinetto da lavello RO



Adattatore per presa d'acqua potabile fredda con adattatore da 3/8" e filettatura di conversione da 1/2".



Abfluss für Abwässer
Presa a staffa per scarico acque reflue per linea di scarico da 3,8 cm



Raccordo Quick Connect per rubinetto RO (con guarnizione trasparente)



Valvola del serbatoio di stoccaggio RO



Guarnizione di montaggio



Sanificatore per serbatoi TruPure (guarnizione per l'installazione all'interno della camera)



Attrezzi per l'installazione del collettore del filtro

Montaggio sistema ad osmosi inversa a 4 stadi AquaTru

L'installazione sarà un gioco da ragazzi, poiché la maggior parte delle parti è già assemblata. Vi guideremo attraverso il resto con i seguenti passaggi:

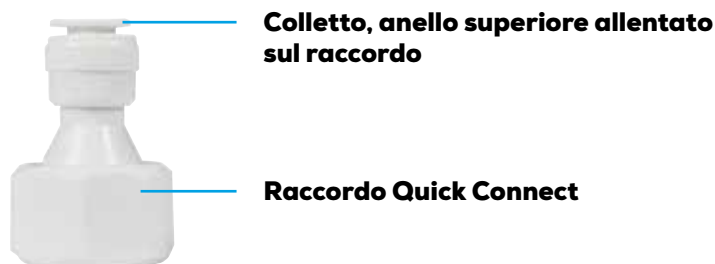
1. Come utilizzare i raccordi Quick Connect
2. Montaggio dell'adattatore per l'acqua potabile fredda
3. Montaggio del raccordo di scarico per le acque reflue RO
4. Installazione del rubinetto da lavello RO
5. Collegamento del sanificatore del serbatoio di stoccaggio TruPure
6. Posizionamento e installazione del sistema idrico RO
7. Esecuzione di tutti gli allacciamenti idrici necessari
8. Avvio del sistema
9. Manutenzione del sistema

È importante seguire questi passaggi nell'ordine sopra elencato per ridurre al minimo eventuali problemi durante l'installazione.

Guida alla tubazione Quick Connect

STEP
1

Il collegamento del tubo nel sistema RO utilizza un meccanismo di bloccaggio Quick Connect per bloccare il tubo in posizione. Fare attenzione a non danneggiare i tubi al momento del disimballaggio. I tubi piegati all'estremità o danneggiati in altro modo non si sigillano e perdono acqua. Se il tubo arriva danneggiato, contattare il servizio clienti per assistenza.



Collegamento del tubo:

Inserire il tubo direttamente a livello del colletto.

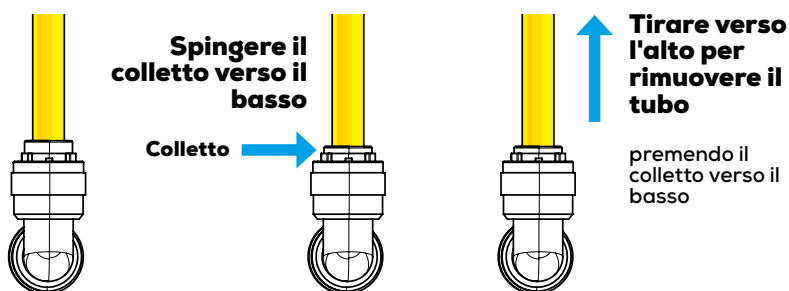
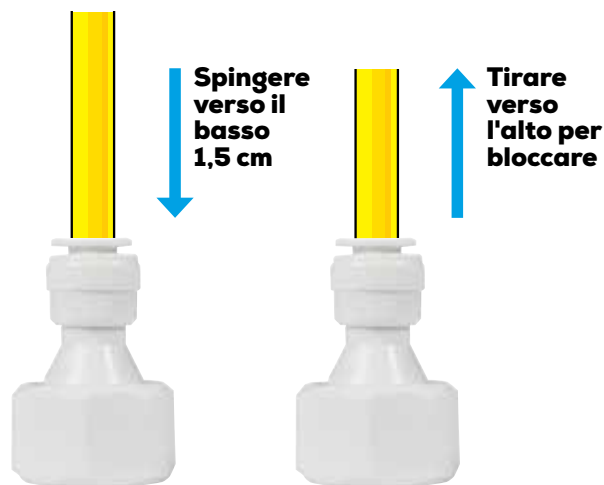
Il tubo entrerà per 1,5 cm nel colletto prima che si attivi il blocco.

Tirare il tubo per assicurarsi che il blocco sia stato attivato e che il tubo sia ben saldo.

Rilascio del tubo:

Spingere e tenere premuto il colletto per rilasciare il blocco mentre si tira verso l'esterno.

Mantenere premuto il colletto mentre si tira verso l'alto il tubo per rilasciarlo.



STEP
2

Adattatore per presa d'acqua potabile fredda

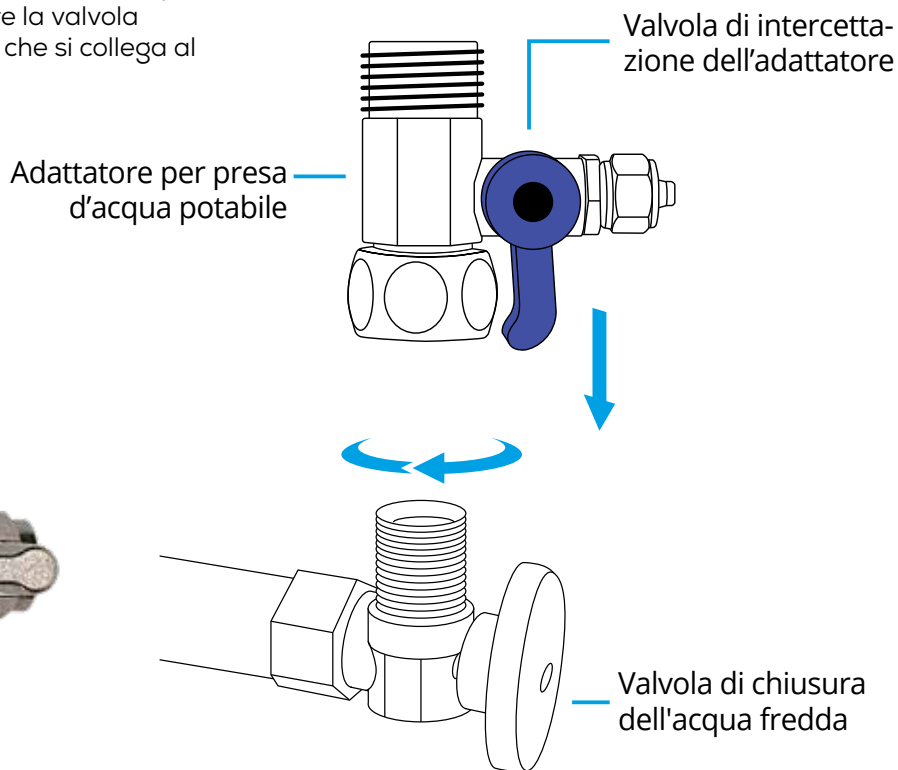
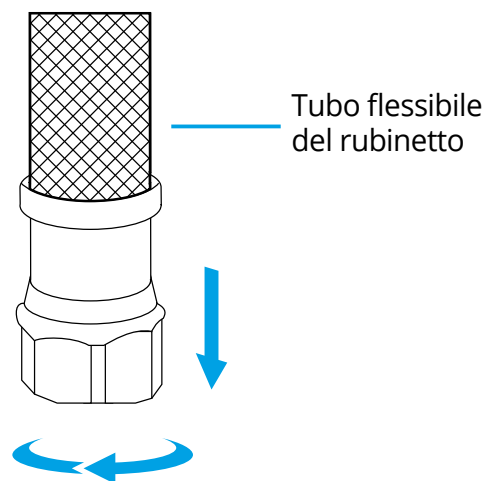
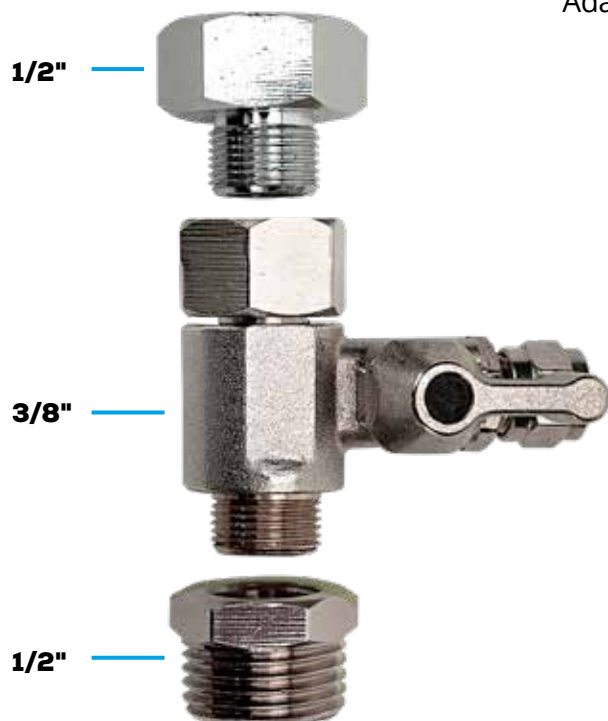
ATTENZIONE

L'alimentazione dell'acqua all'unità DEVE provenire dalla linea dell'acqua fredda. L'acqua calda danneggia gravemente il sistema RO.

Individuare la valvola dell'acqua fredda sotto il lavello e spegnerla. Aprire quindi la maniglia dell'acqua fredda del lavello per scaricare la pressione. Prima di procedere, verificare che l'acqua abbia smesso di scorrere.

Nota: Sui rubinetti a maniglia singola, potrebbe essere necessario chiudere l'acqua calda per evitare il passaggio dell'acqua calda durante l'installazione. Se l'acqua continua a uscire dal rubinetto con le valvole d'acqua fredda e calda chiuse, sarà necessario chiudere anche l'alimentazione principale dell'acqua.

Se la valvola non è adatta alla valvola di chiusura dell'acqua fredda, una seconda possibilità è di installare la valvola all'estremità del tubo flessibile del rubinetto che si collega al rubinetto della cucina.



Nota: il sistema sottolavello AquaTru Under Sink RO viene fornito con un adattatore per acqua fredda da 3/8" con una filettatura di conversione da 1/2". In base alle vostre esigenze idrauliche, potrebbe essere necessario utilizzare la filettatura di conversione aggiuntiva.

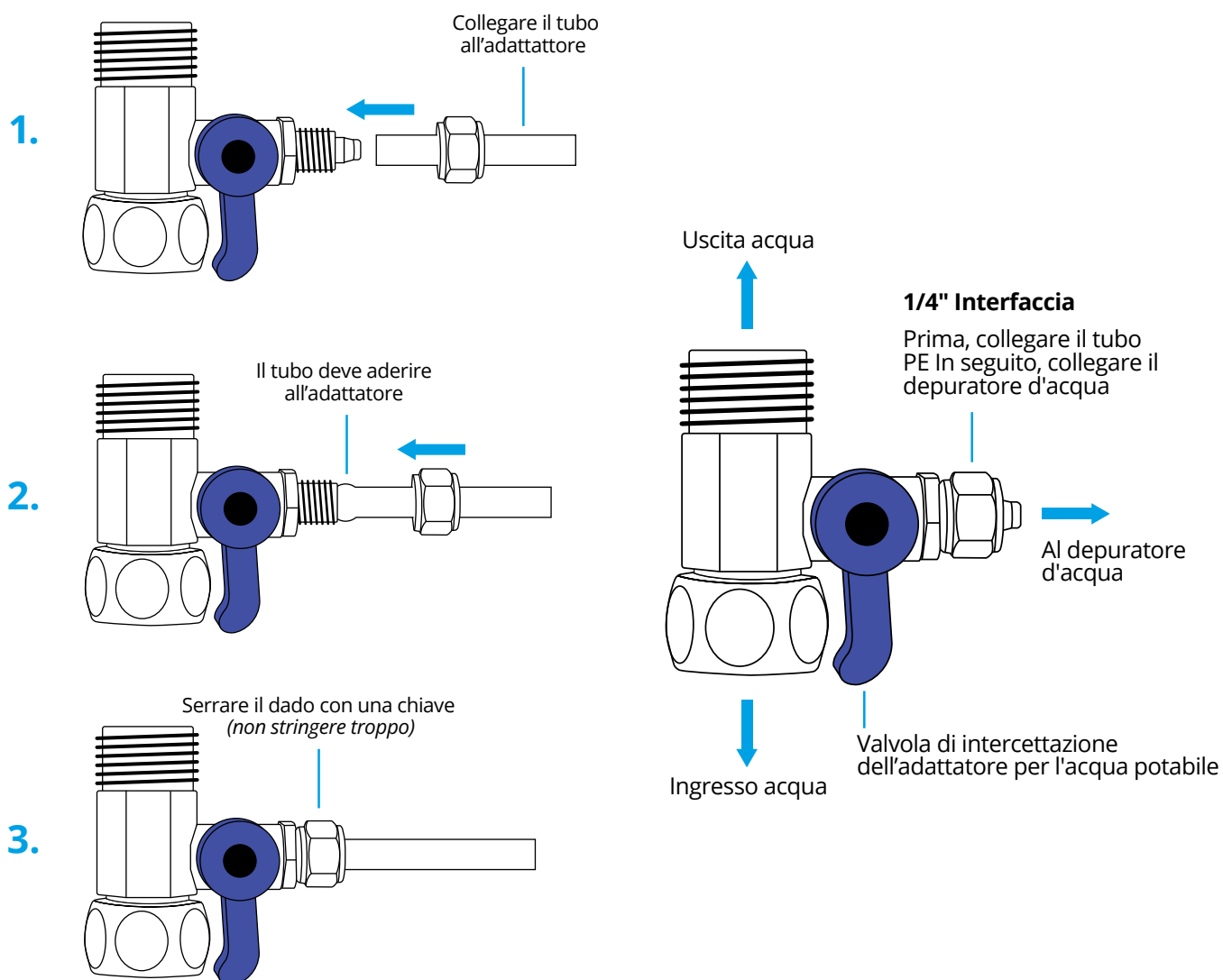
STEP
2

Adattatore per presa d'acqua potabile fredda

Prima del montaggio sulla linea dell'acqua del rubinetto, collegare il tubo bianco all'estremità dell'adattatore, quindi installare l'adattatore. Il sistema sottolavello AquaTru RO è dotato di un adattatore da 3/8" con filettatura di conversione da 1/2". Utilizzare l'adattatore delle dimensioni adeguate alle proprie esigenze idrauliche.

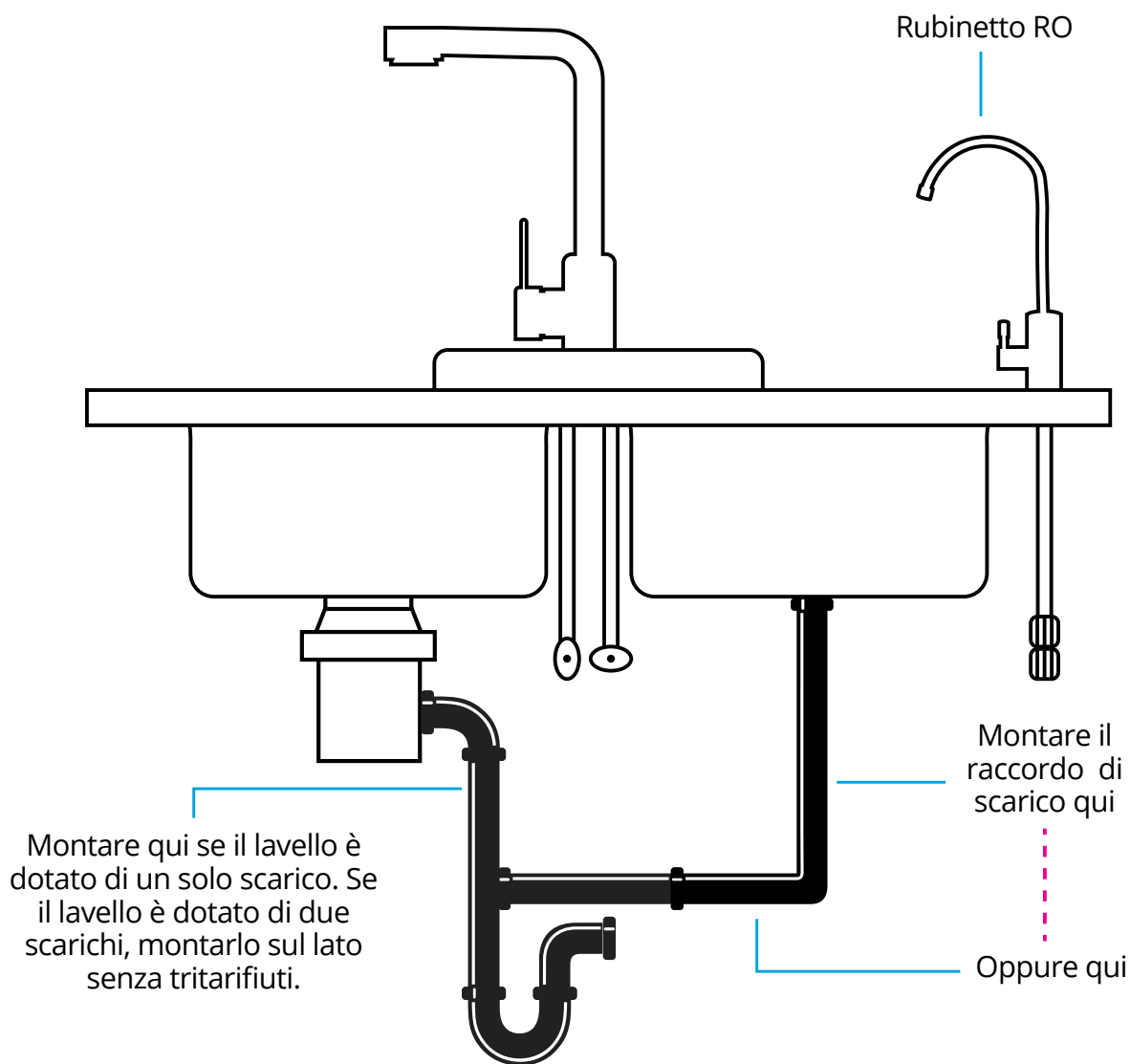
Dopo aver collegato il tubo bianco all'adattatore per la presa d'acqua potabile fredda, tirarlo per assicurarsi che sia ben saldo sull'adattatore. Avvolgere la valvola di chiusura della linea dell'acqua fredda con nastro in PTFE, successivamente avvolgere la filettatura esterna dell'adattatore per la presa d'acqua fredda sempre col nastro in PTFE.

Montare prima l'adattatore sulla valvola dell'acqua fredda, quindi installare il tubo flessibile del rubinetto sull'adattatore.



STEP
3**Installazione della presa a staffa per lo scarico****ATTENZIONE**

Per evitare possibili rumori dell'impianto di scarico, montare la presa a staffa per lo scarico il più in basso possibile sulla cordiera verticale. Il gruppo della presa a staffa deve essere installato sopra il sifone e sulla cordiera verticale o orizzontale.



STEP
3

Installazione della presa a staffa per lo scarico

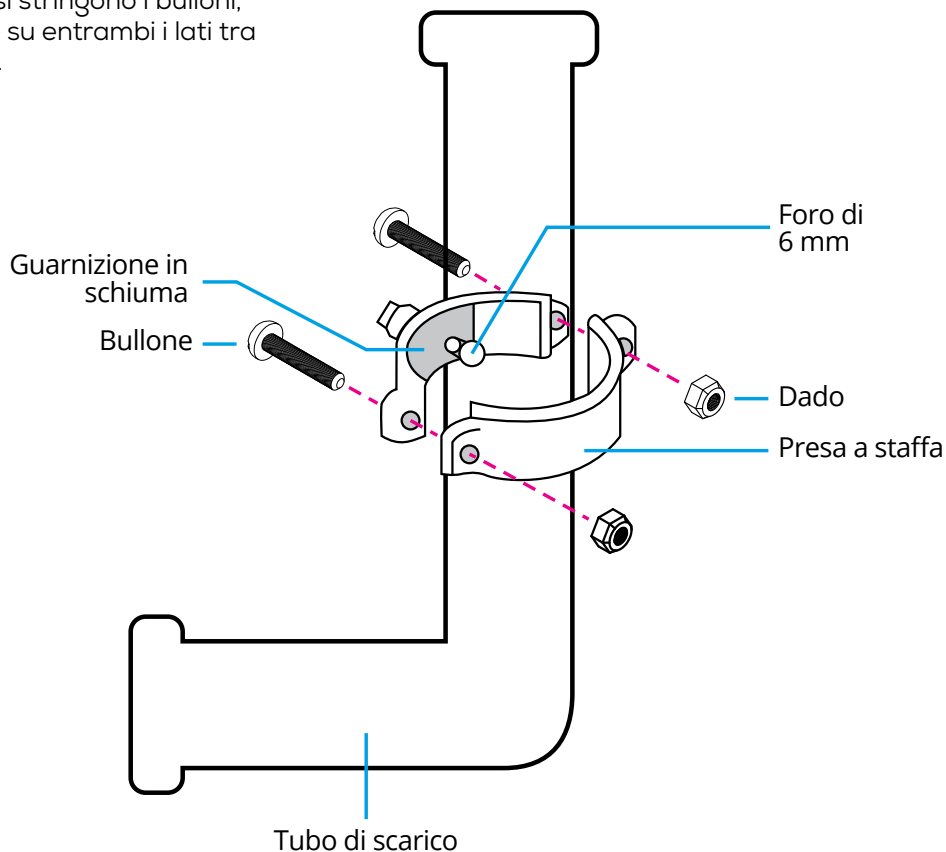
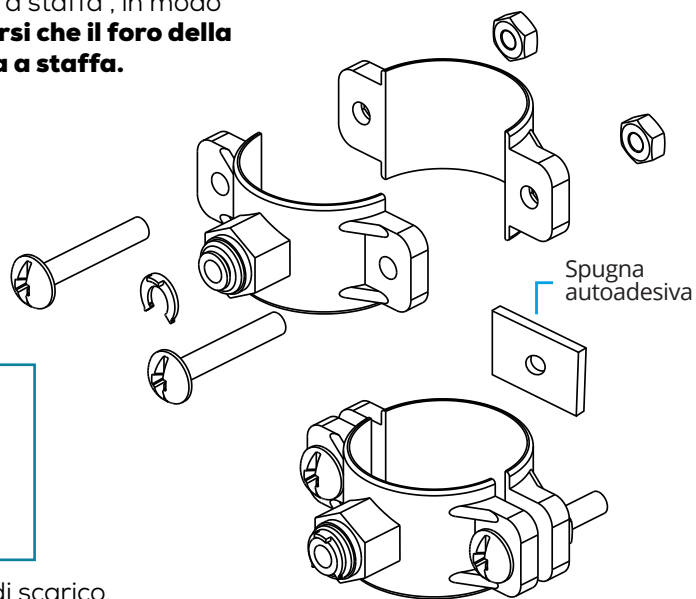
Segnare la posizione del foro sul tubo di scarico e praticare un foro di 6 mm attraverso un lato del tubo di scarico. Viene fornito un pezzo di spugna autoadesiva. Far aderire la spugna all'interno della presa a staffa, in modo da ammortizzare lo spazio tra la presa e il tubo. **Assicurarsi che il foro della spugna sia ben perforato e allinearli al foro della presa a staffa.**

Prendere la metà della presa a staffa senza schiuma e inserire un dado nell'incavo su ciascun lato.

Posizionare entrambe le metà della presa a staffa sul tubo di scarico con l'apertura della presa allineata al foro. La guarnizione in schiuma si troverà tra la presa a staffa e il foro.

Suggerimento: Per assicurarsi che il foro sulla presa a staffa sia allineato con il foro nel tubo di scarico, inserire la punta del trapano nella staffa e utilizzare la punta per allineare i due fori mentre si assembla la presa a staffa sul tubo di scarico.

Fissare le metà della presa a staffa in posizione sul tubo di scarico. Avvitare i bulloni attraverso la metà della presa a staffa con la guarnizione in schiuma e l'altra metà con i due dadi installati. Non serrare eccessivamente. Quando si stringono i bulloni, assicurarsi che ci sia uno spazio uguale su entrambi i lati tra le prese a staffa. den Abflusssätteln ist.



STEP
4

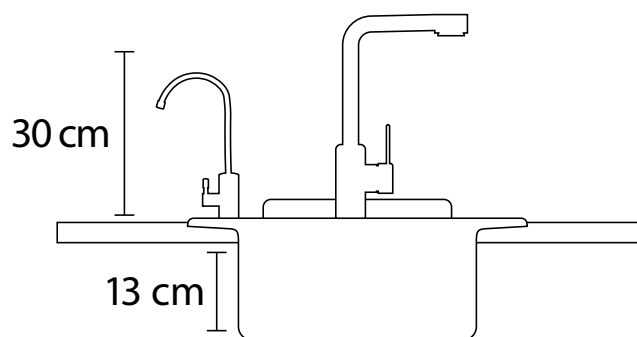
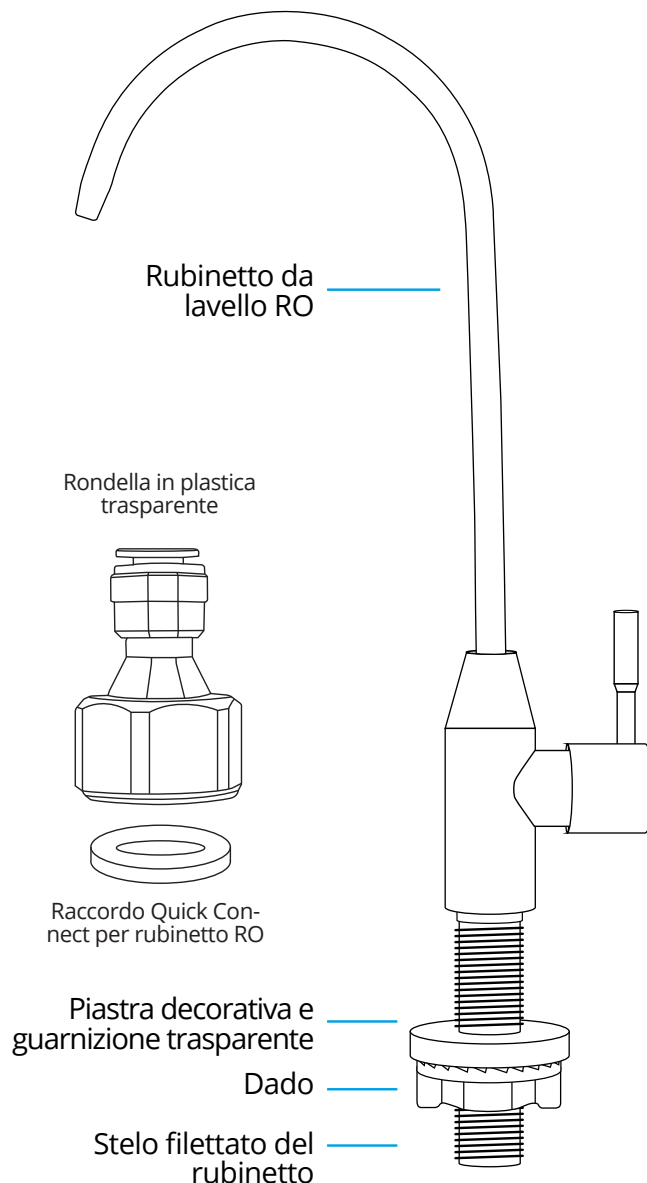
Installazione del rubinetto RO

Il rubinetto da lavello RO può essere installato su qualsiasi superficie piana. Verificare che la parte inferiore del sito d'installazione non presenti interferenze, assicurandosi che la realizzazione di un foro non danneggi eventuali tubi o cablaggi sotto il piano di lavoro del lavello. Verificare che vi sia spazio sufficiente per l'asta filettata del rubinetto e il dado.

Nota: per la foratura è necessario utilizzare una punta e un metodo di foratura adeguati al materiale del lavello o del piano di lavoro. Per l'acciaio inox, la porcellana, il marmo, ecc. sono necessarie punte diverse.

È possibile utilizzare un foro esistente nel bancone o nel lavello o praticare un nuovo foro (**se si utilizza un foro esistente, iniziare dal punto 2**). Assicurarsi che la piastra decorativa del rubinetto e il dado siano abbastanza grandi da coprire il foro utilizzato.

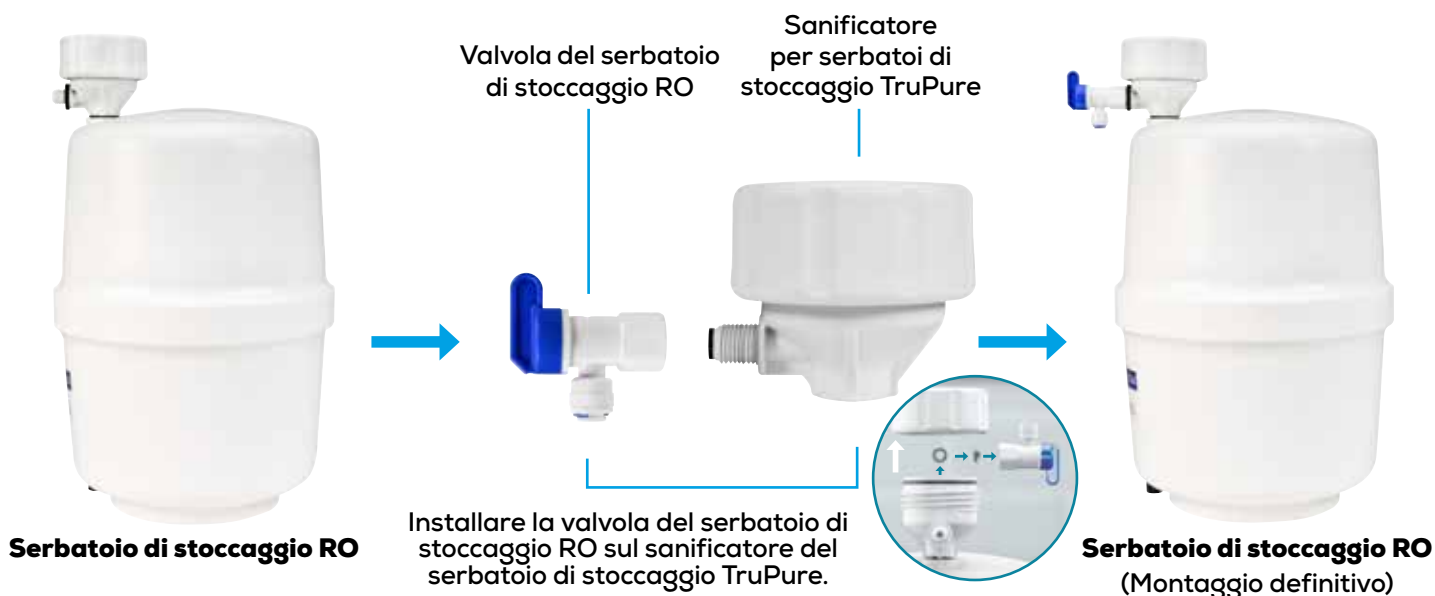
1. Praticare un foro di **20 mm** utilizzando una punta e un metodo di foratura adeguati al materiale.
2. Rimuovere il dado di plastica dallo stelo filettato del rubinetto.
3. Inserire lo stelo filettato del rubinetto nel foro appena praticato o in quello preesistente, assicurandosi che la piastra decorativa e la guarnizione trasparente rimangano sullo stelo filettato e che coprano completamente il foro una volta installate.
4. Sotto il lavello, installare il dado in plastica sullo stelo filettato del rubinetto, assicurandosi che la guarnizione fornita con il raccordo sia inserita all'interno del raccordo. Serrare manualmente. Assicurarsi che il rubinetto non si muova e che la piastra decorativa superiore copra il foro.
5. Installare il raccordo Quick Connect del rubinetto RO sullo stelo filettato. In primo luogo, avvolgere il nastro in PTFE intorno alla filettatura. Assicurarsi che la rondella trasparente sia completamente inserita nel raccordo Quick Connect. Avvitare il raccordo sullo stelo filettato. Serrare manualmente con una chiave inglese. **Non serrare eccessivamente.**



STEP
5

Installazione del sanificatore per serbatoi di stoccaggio TruPure

1. Svitare il tappo blu del serbatoio RO.
2. Avvolgere il nastro in PTFE sullo stelo filettato in acciaio del serbatoio di RO.
3. Avvitare il sanificatore per serbatoi di stoccaggio TruPure sul serbatoio di stoccaggio, stringendo manualmente.
4. Rimuovere la guarnizione nera all'interno del sanificatore per serbatoi TruPure. Inserire tale guarnizione all'interno della valvola del serbatoio di stoccaggio.
5. Avvolgere il nastro in PTFE sulla filettatura esterna del sanificatore per serbatoio di stoccaggio TruPure e avvitare la valvola del serbatoio di stoccaggio RO sullo stelo filettato del sanificatore TruPure, stringendo manualmente.



Installare la valvola del serbatoio di stoccaggio RO sul sanificatore del serbatoio di stoccaggio TruPure.

Nota: Rimuovere la guarnizione nera all'interno del sanificatore del serbatoio di stoccaggio TruPure e inserirla nella valvola del serbatoio di stoccaggio RO prima di installarla sul sanificatore.

STEP
6

Posizionamento e montaggio del sistema RO

Installare i tre filtri nel collettore in base al codice colore del filtro. Individuare l'area sotto il lavello dove si desidera installare il sistema RO (collettore RO con filtri e serbatoio di stoccaggio RO).

Nota: il collettore del filtro può essere montato su una parete del mobile.

Suggerimento utile: Annotare la data d'installazione del filtro con un pennarello indelebile sul corpo del filtro, in alternativa utilizzare il nostro utile registro delle sostituzioni dei filtri all'ultima pagina di questo manuale, in modo da poter identificare facilmente quando sostituire i filtri.

Il filtro **PRE** deve essere sostituito ogni **6 mesi**

Il filtro **VOC** va sostituito ogni **12 mesi**

Il filtro **RO** va sostituito ogni **24 mesi**

Il filtro a carbone **VOC con PH+ Mineral Boost** va sostituito ogni **12 mesi**

Attenzione

Prima di montare il collettore del filtro su una parete del mobile, accertarsi che questa sia in grado di sostenere il peso dei filtri e del collettore e che la parete abbia uno spessore sufficiente per contenere le viti di montaggio. Se le viti di montaggio sono troppo lunghe, si consiglia di acquistarne di più corte presso la ferramenta locale.

STEP
7

Allacciamento idrico sistema RO

Dopo aver individuato la posizione ottimale per i filtri e il serbatoio di stoccaggio RO, è necessario tagliare il tubo da 60 mm alla lunghezza corretta seguendo lo schema seguente. Tagliare il tubo con un cutter affilato. Assicurarsi di non piegare o danneggiare il tubo.

Punto di congiunzione:



Da A a B

Collegare il tubo bianco dal punto **A** della valvola di intercettazione dell'adattatore dell'acqua potabile al raccordo Quick Connect contrassegnato da **B**, contrassegnato come "**Erogazione fredda**" sul collettore del filtro.



Da C a D

Collegare il tubo bianco al raccordo Quick Connect **C**, contrassegnato come "**Serbatoio di stoccaggio**" sul collettore del filtro, quindi collegare l'altra estremità alla valvola del serbatoio di stoccaggio **D**.



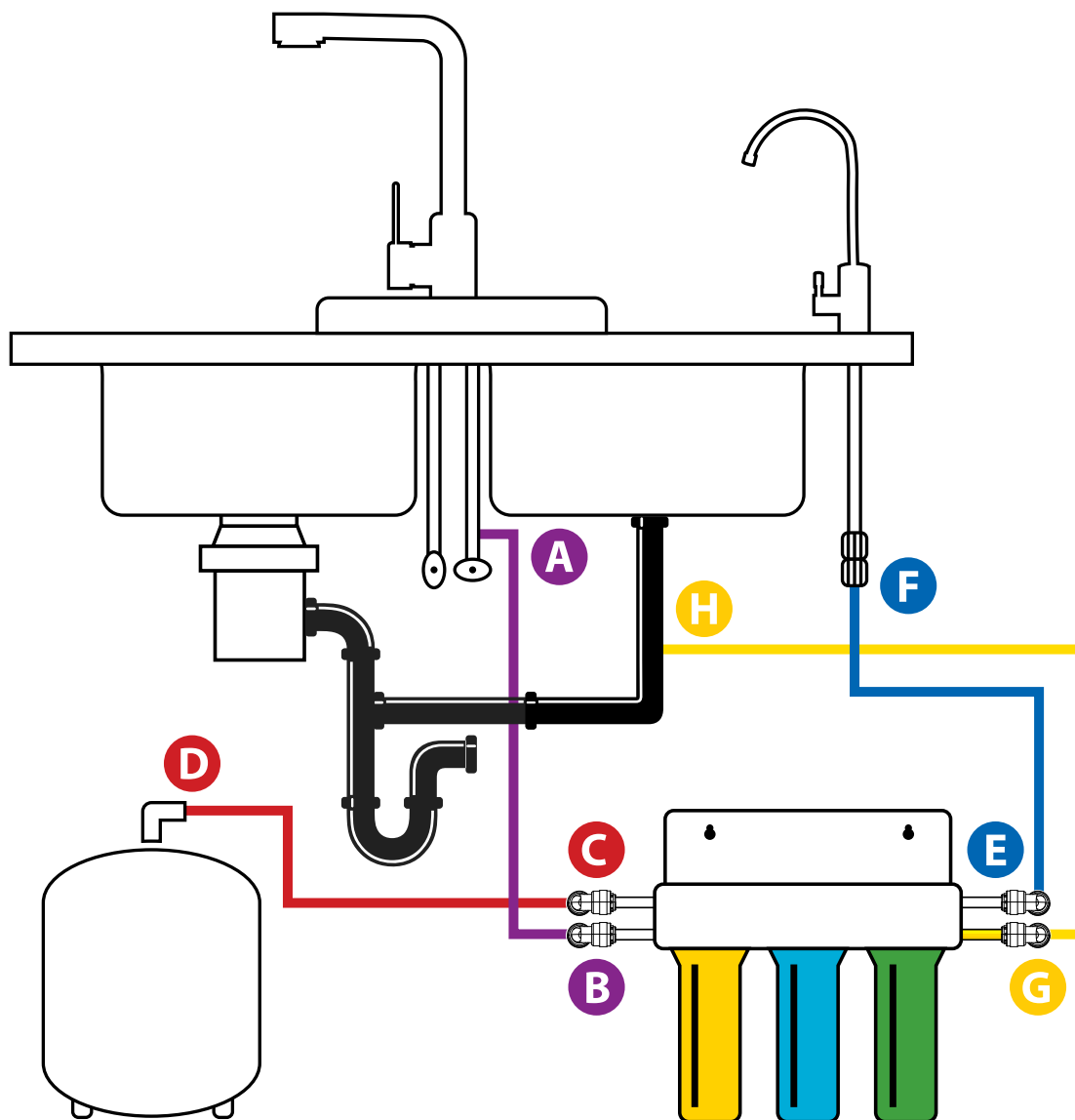
Da E a F

Collegare il tubo bianco al raccordo Quick Connect **E**, contrassegnato come "**Rubinetto dell'acqua**", sul collettore del filtro, quindi collegare l'altra estremità al raccordo Quick Connect **F** del rubinetto dell'acqua RO.



Da G a H

Collegare il tubo giallo al raccordo Quick Connect contrassegnato "**Scarico**", **G** sul collettore del filtro, quindi collegare l'altra estremità alla valvola della presa a staffa di scarico **H**.



- Alimentazione dell'acqua fredda
- Serbatoio di stoccaggio
- Rubinetto acqua RO
- Scarico

STEP
8

Manutenzione del sistema: Filtri

Aprire l'acqua del rubinetto:

Aprire lentamente l'alimentazione dell'acqua fredda, quindi aprire la valvola dell'adattatore dell'acqua potabile (girare in senso antiorario) per consentire l'ingresso di acqua non trattata nel sistema.

CONTROLLARE CHE NON CI SIANO PERDITE!

Aprire la valvola del serbatoio di stoccaggio RO:

Aprire la valvola a sfera del serbatoio per consentire l'ingresso dell'acqua nel serbatoio. **La valvola del serbatoio è "APERTA" quando la maniglia della valvola è parallela (nella stessa direzione) all'uscita della valvola.**

CONTROLLARE CHE NON CI SIANO PERDITE!

Attendere che il serbatoio si riempia:

Prima dell'uso, riempire e poi svuotare completamente il serbatoio di stoccaggio RO due volte. Attendere 2 o 3 ore per il riempimento del serbatoio. Quando il serbatoio è pieno, il sistema RO si spegne automaticamente.

ATTENZIONE:

Quando l'unità viene riempita d'acqua per la prima volta, alcune piccole particelle nere vengono espulse dal filtro a carbone. È importante riempire il serbatoio RO e svuotarlo 2 volte prima di consumare l'acqua.

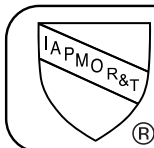
Svuotare il serbatoio:

Aprire il rubinetto dell'acqua RO per scaricare il serbatoio. Lasciare scaricare completamente il serbatoio prima di chiudere la leva.

CONTROLLARE CHE NON CI SIANO PERDITE!

Assicurarsi che non vi siano perdite nei giunti, nei raccordi, nelle valvole e nelle tubazioni.

FINE DELL'INSTALLAZIONE



AquaTru® ATU100 è certificato rispettando gli standard ANSI/NSF 42, 53, 58, 401 e P473 per la rimozione di 74 contaminanti come specificato nella scheda tecnica delle prestazioni.

Manutenzione del sistema

Sostituzione dei filtri:

Il sistema RO contiene tre filtri che devono essere sostituiti a intervalli regolari per mantenere il livello delle prestazioni. **Utilizzare solo filtri originali AquaTru.** I tre filtri sono:

- **Il filtro PRE (AT2001)** deve essere sostituito ogni 6 mesi o ogni 2270L, a seconda della condizione che si verifica per prima.
- **Il filtro VOC (ATU2003)** va sostituito ogni 12 mesi o ogni 1360L, a seconda della condizione che si verifica per prima.
Quando si sostituisce il filtro, si consiglia di sanificare anche il serbatoio.
Prima di procedere, vedere Sanizzazione del serbatoio di stoccaggio RO.
- **Il filtro RO (AT2002)** va sostituito ogni 24 mesi o ogni 4540L, a seconda della condizione che si verifica per prima.
Quando si sostituisce il filtro, si consiglia di sanificare anche il serbatoio.
Prima di procedere, vedere Sanizzazione del serbatoio di stoccaggio RO.
- **Il filtro opzionale a carbone VOC con PH+ Mineral Boost (ATU2004)** va sostituito ogni 12 mesi o 1360L, a seconda della condizione che si verifica per prima.

Fonti di approvvigionamento per le componenti di ricambio: Aquatruwater.eu / Aquatru.co.uk

Suggerimenti prima di iniziare:

1. Assicurarsi che l'area di manutenzione sia priva di sporcizia o polvere in eccesso, per evitare la contaminazione reciproca delle parti.
2. Lavarsi le mani con acqua e sapone e/o indossare guanti per uso sanitario.

Come cambiare i filtri

1. Chiudere la linea di alimentazione dell'acqua fredda.
2. Svotare il serbatoio di stoccaggio RO aprendo il rubinetto dell'acqua RO.
3. Rimuovere il filtro da sostituire.

Suggerimento: il filtro può essere estratto dalla base per facilitarne lo svitamento.

4. Inserire il nuovo filtro, assicurandosi che la sua installazione sia completa.

Suggerimento: Annotare la data d'installazione del filtro con un pennarello indelebile sul corpo del filtro, in alternativa utilizzare il nostro registro delle sostituzioni dei filtri, all'ultima pagina di questo manuale, in modo da poter identificare più facilmente quando sostituire i filtri.

5. Chiudere il rubinetto dell'acqua RO.
6. Aprire la linea di alimentazione d'acqua fredda del rubinetto.

PRÜFEN SIE AUF UNDICHTER STELLEN!

7. Nachdem der Vorratsbehälter für die Umkehrosmose vollständig gefüllt wurde, leeren Sie ihn, um den Filter vor dem Verbrauch auszuspülen.
8. Füllen Sie den RO Vorratsbehälter auf.

Manutenzione del sistema: Sanitizzazione del serbatoio di stoccaggio RO

Sanitizzazione del serbatoio di stoccaggio RO:

Il sistema RO deve essere igienizzato una volta all'anno. Si consiglia di eseguire il processo di sanitizzazione ogni volta che si sostituisce il filtro VOC, ogni 12 mesi. Il processo di sanitizzazione deve essere completato prima di sostituire il filtro VOC. Procedere come segue.

Per risultati ottimali, si consiglia di utilizzare 15 ml di candeggina. Per garantire la sterilizzazione dei serbatoi, verificare che la candeggina non sia scaduta. Se scaduta, acquistarne di nuova.

Suggerimenti prima di iniziare:

1. Assicurarsi di avere a disposizione della soluzione disinfettante e un nuovo filtro VOC.
2. Assicurarsi che la superficie sia priva di sporco o polvere in eccesso per evitare la contaminazione reciproca delle parti.
3. Lavarsi le mani con acqua e sapone e/o indossare guanti per uso sanitario.

Come sanitizzare il serbatoio di stoccaggio RO

1. Chiudere la linea di alimentazione dell'acqua fredda al sistema RO.
2. Aprire il rubinetto dell'acqua RO e farla scaricare dal serbatoio di stoccaggio RO. Prima di procedere, accertarsi che il serbatoio sia completamente vuoto.
3. Svitare il tappo superiore del sanificatore del serbatoio di stoccaggio TruPure. **Nota: Serbatoio e sanificatore RO è pressurizzato, se il serbatoio non è completamente vuoto spruzzerà acqua al momento dell'apertura.**
4. Versare 15 ml di candeggina nel sanificatore del serbatoio. Se c'è troppa acqua nel sanificatore per aggiungere la candeggina, versare l'acqua prima di aggiungere la candeggina.
5. Riavvitare il tappo superiore del serbatoio del sanificatore, assicurandosi che sia ben saldo.
6. Chiudere il rubinetto dell'acqua RO.
7. Aprire la linea di alimentazione dell'acqua fredda per riempire il sistema RO.

CONTROLLARE CHE NON CI SIANO PERDITE!

8. Attendere 2 ore perché il serbatoio di stoccaggio RO si riempia completamente.
9. Svuotare il serbatoio di stoccaggio RO aprendo il rubinetto dell'acqua RO.
10. Riempire nuovamente il serbatoio di stoccaggio RO e chiudere la linea di alimentazione dell'acqua fredda.
11. Svuotare il serbatoio di stoccaggio RO.
12. Sostituire il filtro VOC e gli altri filtri, se necessario.

Suggerimento : Annotare la data del filtro sostituito nel nostro registro di sostituzione filtri all'ultima pagina di questo manuale, in modo da ricordare più facilmente quando è necessario sostituirlo di nuovo.

13. Dopo la sostituzione di un filtro, far scorrere due taniche piene di acqua attraverso il filtro e scaricare l'acqua prima di berla.
14. In caso di ulteriori domande, consultare i nostri siti web aquatruwater.eu, aquatru.co.uk o chiamare il nostro servizio clienti al numero +31 (0)24 20 22 195.

CONTROLLARE CHE NON CI SIANO PERDITE!

FAQ e risoluzione dei problemi

PROBLEMA	CAUSA	SOLUZIONE
Produzione bassa/ lenta Sono necessarie più di 3 ore per riempire il serbatoio	Bassa pressione dell'acqua	<p>Accertarsi che l'alimentazione idrica sia attiva e che la valvola sia completamente aperta.</p> <p>La pressione dell'acqua del rubinetto deve essere di almeno 275 kPa. Se la vostra abitazione non dispone di una pressione di 275 kPa, è consigliabile sostituire il depuratore da sottolavello con un modello da banco AquaTru, dotato di pompa incorporata.</p>
	Pieghe nei tubi	Controllare i tubi, raddrizzarli e sostituirli se necessario.
	Filtri intasati	Se il tasso di produzione era elevato in precedenza, ma è diminuito significativamente nell'arco di alcuni mesi, è necessario sostituire il pre-filtro e il filtro RO.
Basso flusso d'acqua dal rubinetto	Controllare la pressione dell'aria nel serbatoio	Il serbatoio di stoccaggio RO deve possedere una pressione di 6-8 PSI quando è vuoto. Per riempire il serbatoio, utilizzare un manometro e una pompa con connettore per valvola Schrader.
	Valvola del serbatoio di stoccaggio RO	Assicurarsi che la valvola del serbatoio di stoccaggio sia completamente aperta.
	Controllare la guarnizione di sanificazione nel sanificatore	Il sanificatore per serbatoi di stoccaggio TruPure viene spedito con la guarnizione all'interno di tale sanificatore. Prima di procedere all'installazione, svitare il sanificatore per accedere al sacchetto interno contenente la guarnizione e utilizzare quest'ultima quando si installa la valvola del serbatoio di stoccaggio RO.
Piccola quantità di acqua nel serbatoio	Avvio del sistema	Normalmente sono necessarie circa 2 ore per riempire un serbatoio. Nota bene: la bassa pressione dell'acqua in entrata e la temperatura dell'acqua possono ridurre drasticamente il tasso di produzione dell'acqua.
	Bassa pressione dell'acqua	La pressione dell'acqua di rubinetto deve essere di almeno 275 kPa. Se la vostra abitazione non dispone di una pressione di 275 kPa, è consigliabile sostituire il vostro depuratore da sottolavello con un modello da banco AquaTru, dotato di una pompa incorporata.
	Troppa aria nel serbatoio di stoccaggio	Il serbatoio di stoccaggio RO deve avere una pressione di 55 kPa quando è vuoto. Per controllare la pressione, utilizzare un manometro. Se il valore è superiore a 55 kPa, far uscire l'aria dalla valvola Schrader sul fondo del serbatoio.

FAQ e risoluzione dei problemi

PROBLEMA	CAUSA	SOLUZIONE
Perdite dal collettore del filtro	Il filtro non è completamente installato o la guarnizione ad anello è danneggiata	<p>Verificare che il filtro sia completamente installato.</p> <ol style="list-style-type: none"> 1. Depressurizzare i filtri chiudendo la linea di alimentazione dell'acqua potabile, chiudendo inoltre la valvola del serbatoio di stoccaggio RO. 2. Chiudere la linea di alimentazione dell'acqua potabile. 3. Chiudere la valvola del serbatoio di stoccaggio RO. 4. Aprire il rubinetto RO. Quando l'acqua smette di scorrere dal rubinetto, è possibile rimuovere ogni filtro. 5. Ispezionare la guarnizione ad anello. 6. Reinstallare i filtri assicurandosi che siano completamente inseriti. 7. Pressurizzare nuovamente il sistema.
Perdite d'acqua	Una guarnizione non è completamente sigillata	Depressurizzare il sistema e rimuovere tutta l'acqua dal serbatoio. Rimuovere l'elemento che perde e ispezionare la guarnizione per verificare che non presenti difetti. Se la perdita proviene da una filettatura, applicare un nuovo nastro in PTFE e reinstallare le componenti, assicurandosi che il serraggio sia conforme al manuale.

Garanzia limitata di due anni

Il depuratore d'acqua AquaTru è garantito da difetti di materiale e di fabbricazione per un periodo di due anni dalla data di acquisto originale. Se il prodotto presenta un difetto di materiale o di fabbricazione, la ditta produttrice si assume l'impegno a ripararlo o sostituirlo senza alcun costo per l'utente (verranno addebitate le spese di spedizione e digestione).

La garanzia non comprende i filtri o il serbatoio di stoccaggio. Per ottenere il servizio di assistenza in garanzia, è sufficiente chiamare il nostro servizio clienti al numero **+31 (0)24 20 22 195**.

La presente garanzia non comprende filtri, danni causati da incidenti, uso improprio o qualsiasi altro uso diverso da quello previsto e descritto nel presente manuale del prodotto, o danni derivanti dalla mancata manutenzione e pulizia del prodotto, come specificato nel presente manuale. Della presente garanzia può beneficiare solo l'acquirente originale del depuratore d'acqua AquaTru.

TUTTE LE GARANZIE ESPLICITE E IMPLICITE PER QUESTO PRODOTTO, COMPRESSE LE GARANZIE IMPLICITE DI COMMERCIALIZZABILITÀ E IDONEITÀ A UNO SCOPO PARTICOLARE, SONO LIMITATE AL PERIODO DI GARANZIA E NESSUNA GARANZIA, ESPLICITA O IMPLICITA, SARÀ APPLICABILE DOPO TALE PERIODO.

Alcuni Paesi non ammettono limitazioni alla durata delle garanzie implicite, pertanto la limitazione di cui sopra potrebbe non essere applicabile. Nonostante la presente garanzia conferisca all'utente diritti legali specifici, l'utente può godere di eventuali altri diritti, che variano da Paese a Paese.

Recapiti per il servizio di garanzia:

AquaTru Water B.V.
Groesbeekseweg 22 6524 DB Nijmegen
The Netherlands info@aquatruwater.eu

AQUATru®

[Aquatruwater.eu](https://aquatruwater.eu)
[Aquatru.co.uk](https://aquatru.co.uk)

©2024 AquaTru,® LLC. Alle Rechte vorbehalten.

Registro di sostituzione dei filtri

1 Filtro a carbone /pre	2 Filtro RO	3 Filtro VOC
Data:	Data:	Data:
Data:	Data:	Data:
Data:	Data:	Data:
Data:	Data:	Data:
Data:	Data:	Data:
Data:	Data:	Data:
Data:	Data:	Data:
Data:	Data:	Data:
Data:	Data:	Data:
Data:	Data:	Data:
Data:	Data:	Data:
Data:	Data:	Data:
Data:	Data:	Data:
Data:	Data:	Data:
Data:	Data:	Data:
Data:	Data:	Data:
Data:	Data:	Data:
Data:	Data:	Data:
Data:	Data:	Data:
Data:	Data:	Data:
Data:	Data:	Data:
Data:	Data:	Data:
Data:	Data:	Data:
Data:	Data:	Data:

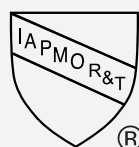
AQUATru®

INSTALACIÓN DEBAJO DEL FREGADERO

Equipo de ósmosis inversa AquaTru de 4 pasos

Owner's Manual	GB
Gebruikershandleiding	NL
Manuel d'utilisation	FR
Benutzerhandbuch	DE
Manuale del proprietario	IT
Manual de usuario	ES

ATU100



Este sistema ATU100 se certificó bajo licencia IAPMO según los estándares NSF/ANSI 42, 53, 58, 372, 401 y P473 para los índices de reducción especificados en la ficha técnica según lo verificado y fundamentado a partir de los datos de prueba y en el sitio IAPMO.org.

Índice

Normas de seguridad	2
Parámetros de funcionamiento	2
Antes de la instalación	2
Contenido de la caja	3

Pasos de instalación

Instalación del equipo de ósmosis inversa AquaTru de 4 pasos	4
Guía de conexión rápida de tubos	4
Adaptador del grifo de agua fría	5
Instalación de la línea de desagüe	7
Instalación del grifo	9
Instalación del tanque de desinfectante	10
Ubicación y montaje del sistema de ósmosis inversa	11
Conexión del sistema de agua	11
Mantenimiento del sistema: Filtros	13
Mantenimiento del sistema	14
Preguntas frecuentes & Resolución de problemas	16
Garantía	17
Registros de reemplazo de filtros	18

ADVERTENCIA **Lea y conserve estas instrucciones antes de continuar con la instalación.****Normas de seguridad**

- La instalación debe cumplir con las leyes y disposiciones estatales y locales.
- El sistema debe instalarse en el interior.
- No lo use con agua que sea microbiológicamente inapropiada o de calidad desconocida sin una desinfección adecuada antes de que el agua ingrese al sistema.
- Mantenga el sistema alejado de fuentes de calor y de la luz solar directa.
- Este sistema de ósmosis inversa contiene componentes de tratamiento reemplazables críticos para una reducción efectiva del total de sólidos disueltos. El producto debe probarse con frecuencia para verificar que el sistema esté funcionando de manera correcta.
- Este sistema está diseñado para instalarse debajo de un fregadero con acceso a agua fría del grifo y a la línea de desagüe de aguas residuales.
- Para evitar la posibilidad de una descarga eléctrica, asegúrese siempre de que todos los aparatos y enchufes eléctricos estén apagados en el disyuntor antes de trabajar en el área del gabinete.
- Utilice gafas de seguridad para proteger la vista al momento de perforar.

Parámetros de funcionamiento

- Caudal de producción diario: 54 galones/día (204 litros/día)
- Capacidad máxima 1360 litros
- Presión de trabajo: 275 - 550 KPa
- Máximo total de sólidos disueltos 1500 mg/litro
- Dureza máxima 171 mg/l (10 granos por galón)
- cloro < 2 pp
- PH 3-11
- Turbidez 5 NTU máx.

Antes de la instalación**Revise el sistema :**

Extraiga todos los componentes de la caja. Inspeccione todas las piezas y accesorios de conexión y asegúrese de que nada haya resultado dañado durante el envío. Si alguna pieza resulta agrietada o rota, no continúe con la instalación. Contáctese con el servicio de atención al cliente para obtener ayuda.

Herramientas necesarias para la instalación:

- Taladro eléctrico,
Broca:
 - 6 mm para la cañería de desagüe de aguas residuales
 - 20 mm para el grifo de agua
- Llave ajustable
- Destornillador Philips
- Cuchillo o tijeras
- Cinta PTFE (a menudo denominada "cinta de plomería" o "cinta de teflón®")

Instaladores calificados

- Se recomienda contratar un instalador calificado.
- Una instalación apropiada es responsabilidad del instalador.
- La garantía no cubre las fallas del producto debido a una instalación incorrecta.

Contenido de la caja



Colector de filtros y 3 filtros de repuesto
(Prefiltro/filtro de carbono, filtro de ósmosis inversa [OI] & filtro VOC)



Tanque de retención



Grifo



Adaptador para grifo de agua fría de 3/8" con rosca de conversión de 1/2"



Válvula de drenaje de aguas residuales para líneas de desagüe de 3,8 cm



Accesorio de conexión rápida para grifo (con junta transparente)



Válvula del tanque de retención



Junta de instalación



Tanque de desinfectante TruPure conectado al tanque de retención (junta de instalación dentro de la cámara)



Materiales de ferretería para la instalación del colector de filtro

Instalación del sistema de ósmosis inversa AquaTru de 4 pasos

La instalación será muy simple, ya que la mayoría de las piezas ya están montadas. Siga los siguientes pasos para continuar con el resto de la instalación:

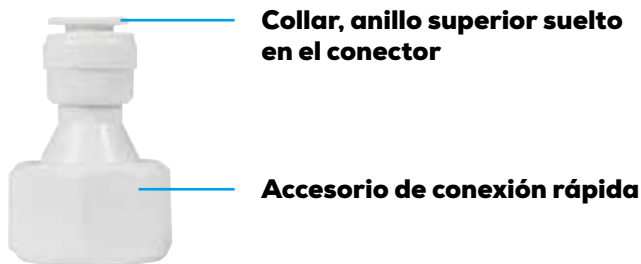
1. Cómo utilizar los accesorios de conexión rápida.
2. Montaje del adaptador de agua fría del grifo.
3. Montaje de la línea de desagüe para aguas residuales.
4. Instalación del grifo.
5. Conexión del tanque de desinfectante TruPure al tanque de retención.
6. Ubicación e instalación del sistema de suministro de agua.
7. Ejecución de todas las conexiones de agua requeridas
8. Inicio del sistema
9. Mantenimiento del sistema

Es importante que siga estos pasos en el orden indicado anteriormente para minimizar cualquier posible problema de instalación.

PASO
1

Guía para la conexión rápida de tubos

La conexión de tuberías en el sistema utiliza un mecanismo de bloqueo para que los tubos queden firmes en su lugar. Tenga cuidado de no dañarlos al desempacarlos. Aquellos que estén doblados en el extremo o que presenten otros daños no sellarán ni perderán agua. Si su tubo llega dañado, comuníquese con el servicio de atención al cliente para obtener ayuda.



Tubo adjunto:

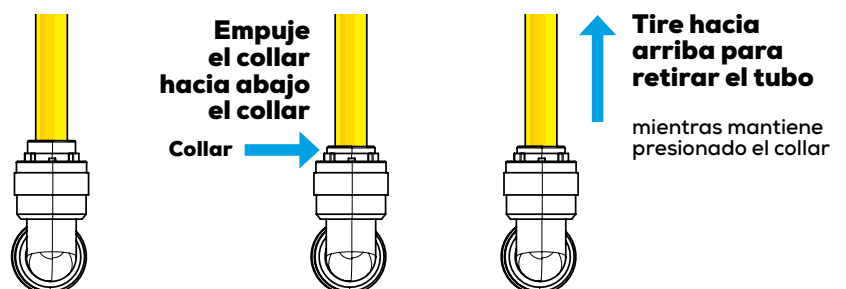
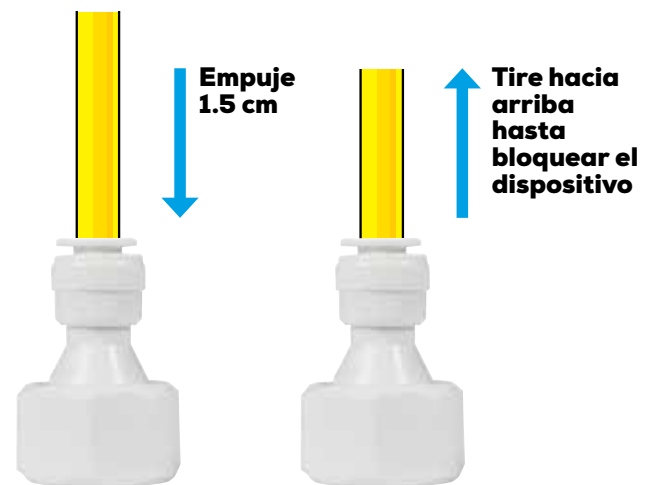
Empuje el tubo y nivélelo con el collar.

El tubo entrará 1,5 cm en el collar antes de que se active el bloqueo.

Tire del tubo para asegurarse de que el bloqueo se haya activado y que el tubo esté seguro.

Rilascio del tubo:

Spingere e tenere premuto il colletto per rilasciare il blocco mentre si tira verso l'esterno. Mantenere premuto il colletto mentre si tira verso l'alto il tubo per rilasciarlo.



PASO
2

Adaptador del grifo de agua fría

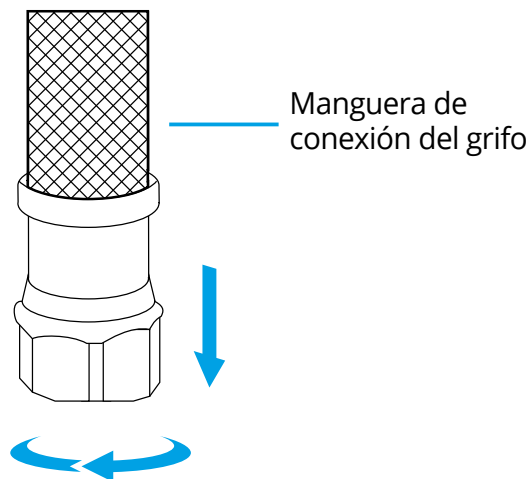
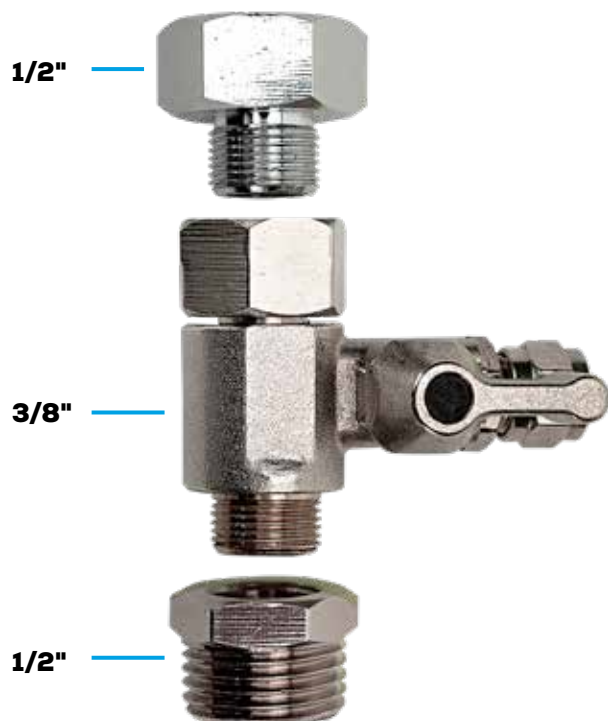
ADVERTENCIA

El suministro de agua a la unidad debe realizarse desde la línea de agua fría. El agua caliente dañará gravemente el sistema de ósmosis inversa..

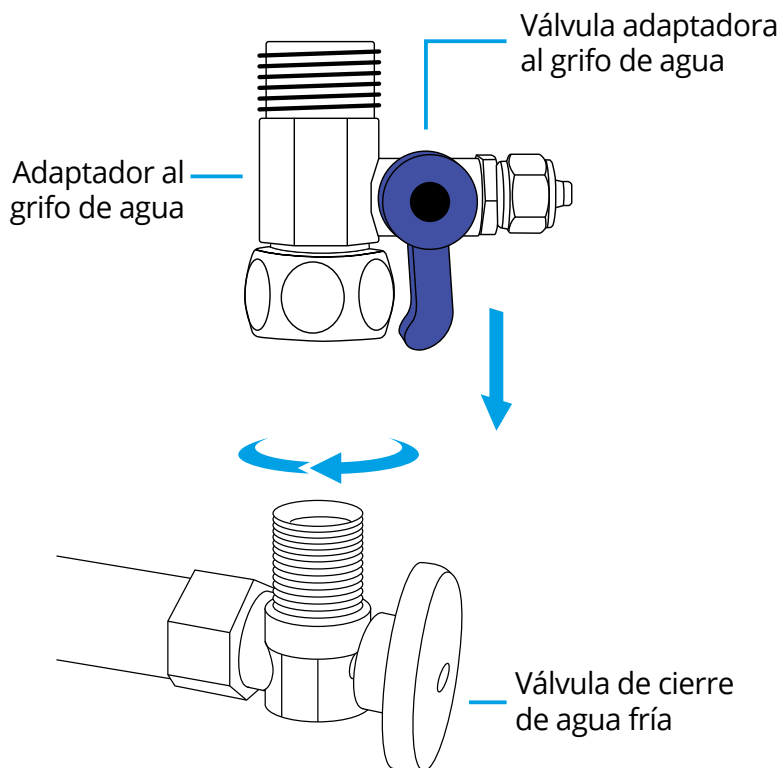
Ubique la válvula de agua fría debajo del fregadero y ciérrela. Luego, abra la manija de agua fría del fregadero para liberar presión. Verifique para asegurarse de que el agua haya dejado de fluir antes de continuar.

Observaciones: En los grifos monomando, es posible que sea necesario cerrar el agua caliente para evitar que ingrese agua caliente al sistema durante la instalación. Si continúa saliendo agua del grifo con la válvula de agua fría y caliente cerradas, el suministro principal también deberá cerrarse.

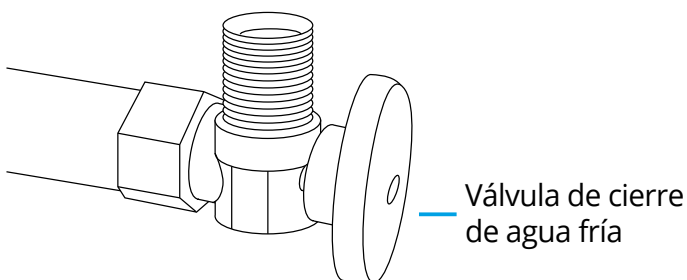
Si el adaptador no encaja en la válvula de cierre de agua fría, una segunda opción es instalar ese adaptador en el extremo de la manguera que se conecta con el grifo de la cocina.



Manguera de conexión del grifo



Válvula adaptadora al grifo de agua



Válvula de cierre de agua fría

Observaciones: El sistema de ósmosis inversa AquaTru a colocar debajo del fregadero viene con un adaptador de 3/8" para el grifo de agua fría y una rosca de conversión de 1/2". Según los trabajos de plomería que sean necesarios, es posible que deba utilizar la rosca de conversión adicional.

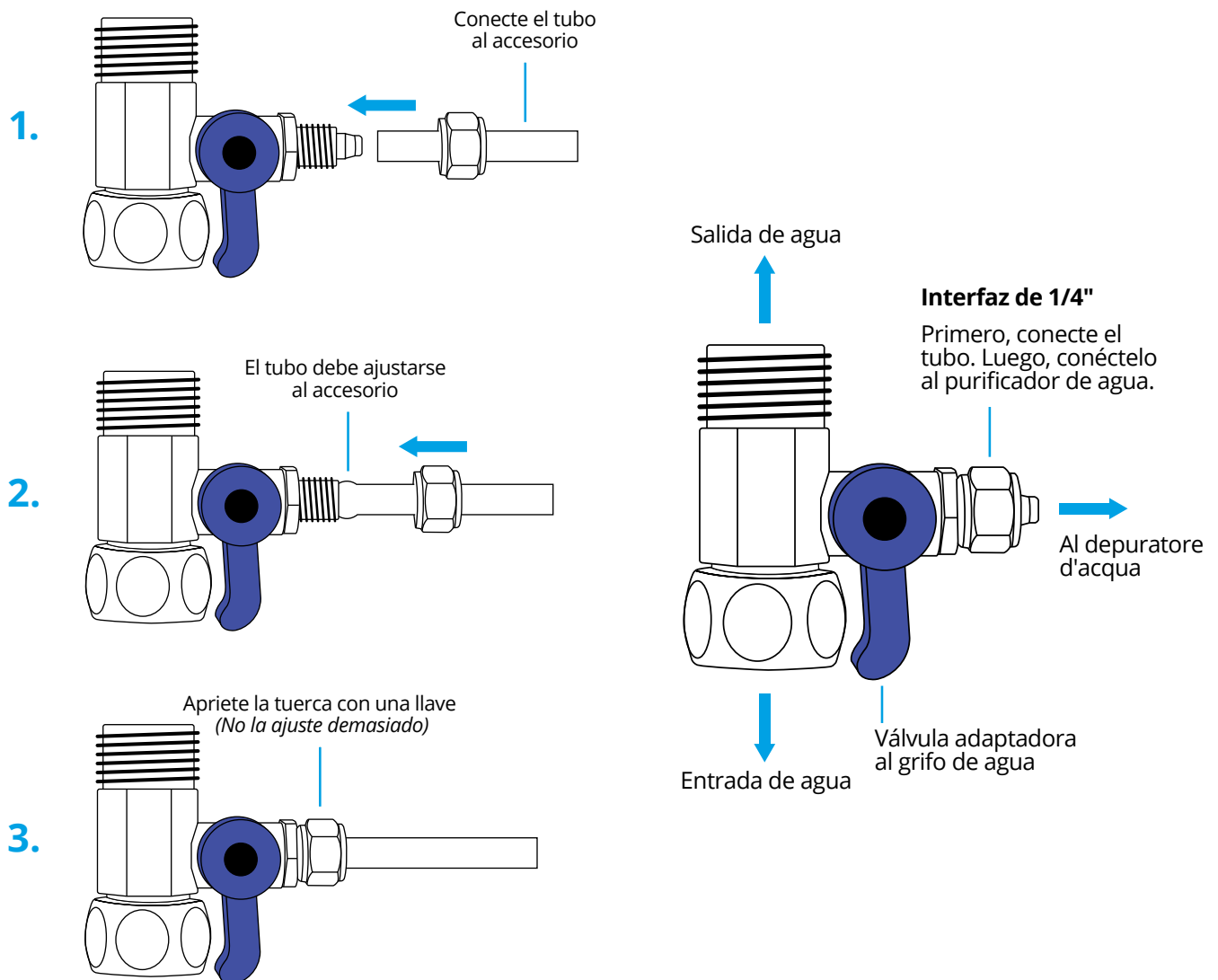
PASO
2

Adaptador del grifo de agua fría

Antes de montarlo al grifo, conecte el tubo blanco al extremo del adaptador y luego instale este último. El sistema de ósmosis inversa AquaTru a colocar debajo del fregadero viene con un adaptador de 3/8" y una rosca de conversión de 1/2". Utilice el tamaño de adaptador adecuado según los trabajos de plomería que deba aplicar.

Después de conectar el tubo blanco al adaptador del grifo de agua fría, tire de él para asegurarse de que haya quedado firme en el adaptador. Envuelva la válvula de cierre de la línea de agua fría con cinta de plomería y luego haga lo mismo con la rosca macho del adaptador del grifo de agua fría.

Primero, instale el adaptador en la válvula de agua fría, luego conecte la manguera desde el grifo al adaptador.

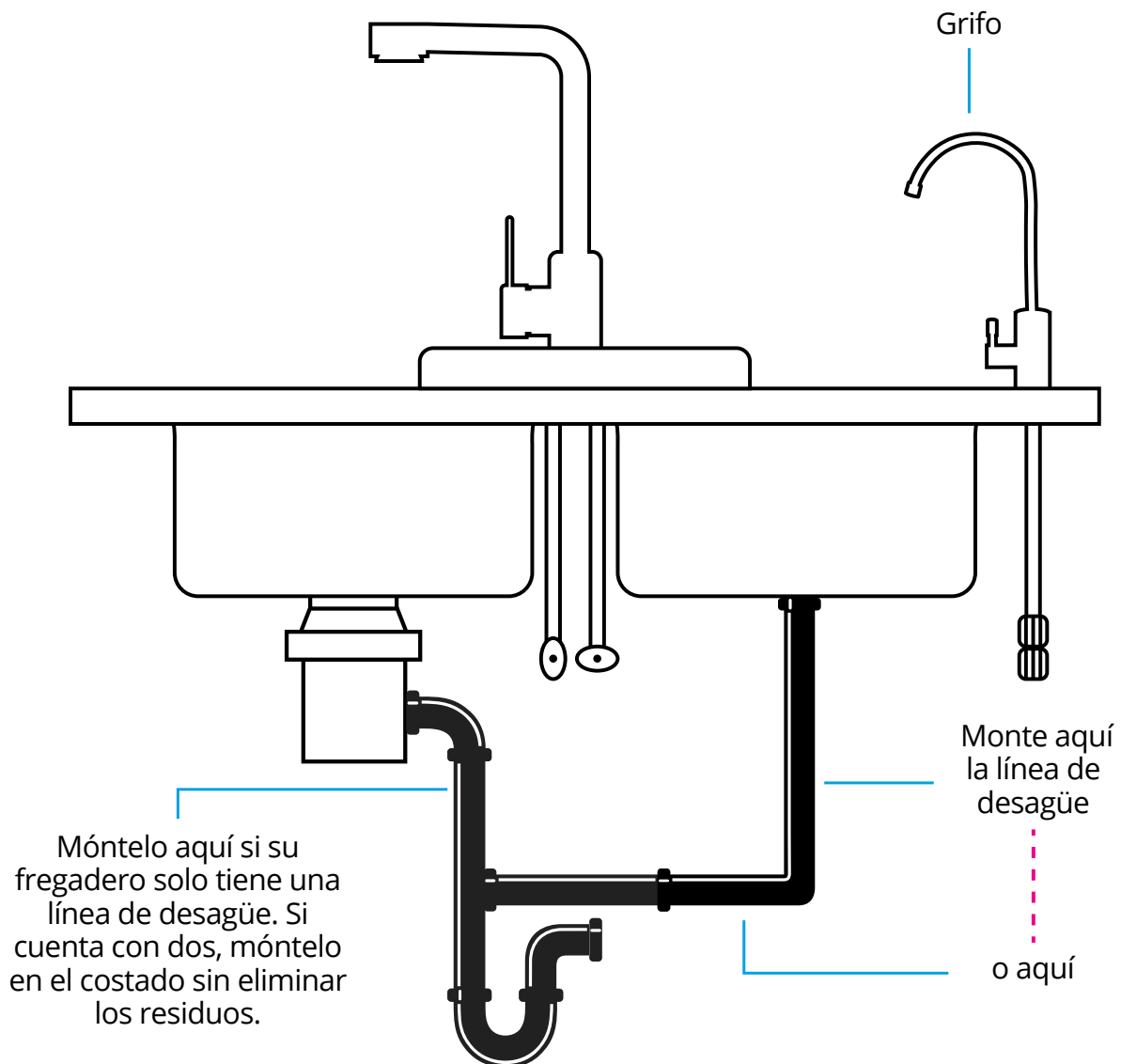


PASO
3

Instalación de la línea de desagüe

Precaución

Para evitar posibles ruidos al drenar, monte la línea de desagüe lo más bajo posible en el extremo vertical. El ensamblaje de la línea de desagüe debe instalarse encima de la trampa y en la pieza final vertical u horizontal.



PASO
3

Instalación de la línea de desagüe

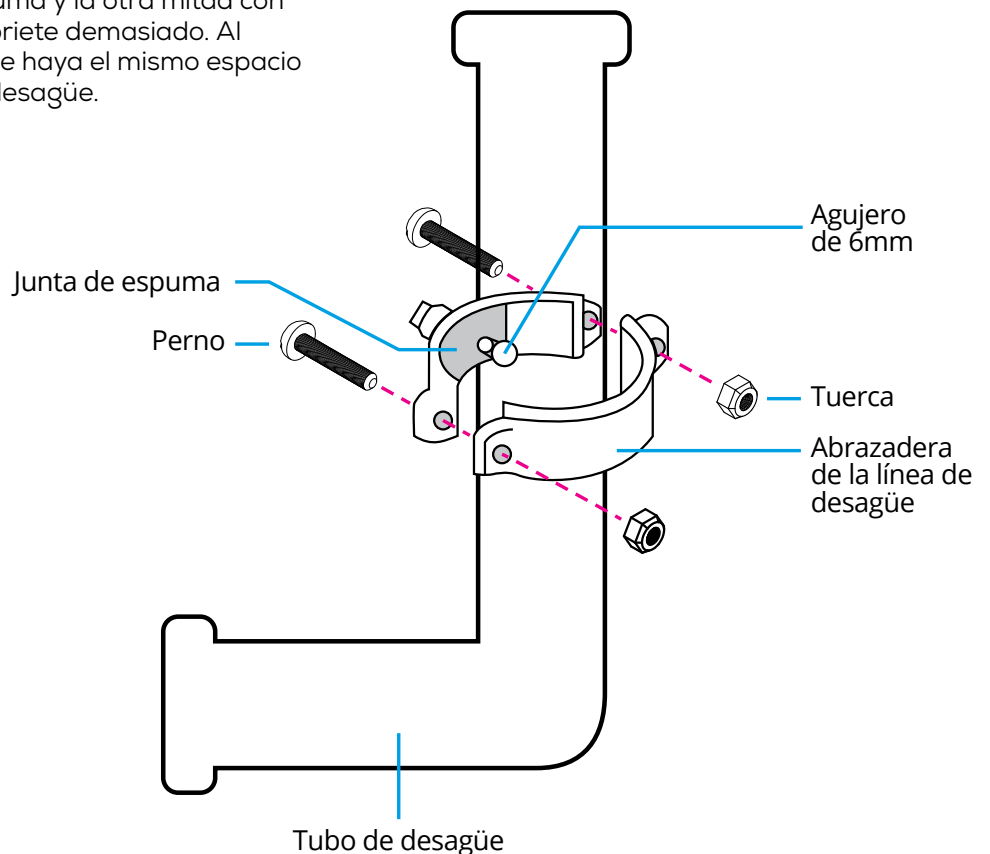
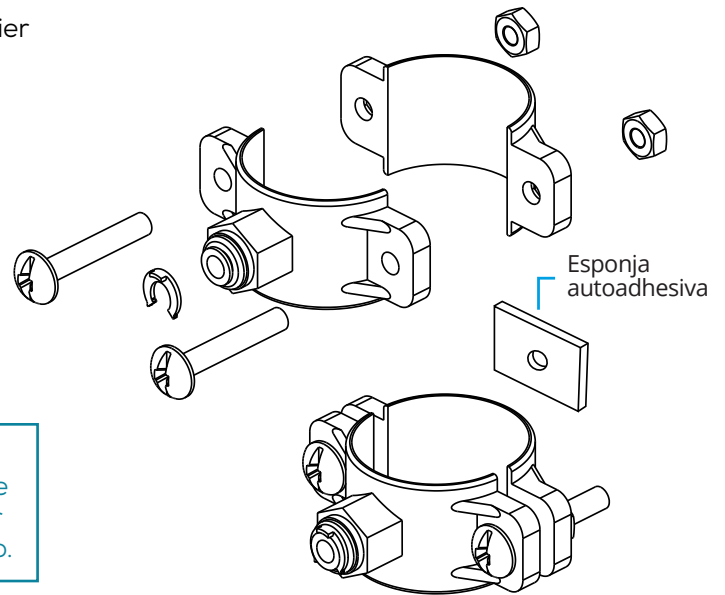
Marque la posición del orificio en el tubo de desagüe y taladre uno de 6 mm a través de uno de los lados del tubo. Se incluye un trozo de esponja autoadhesiva. Pegue esta esponja al interior de la línea de drenaje, lo que amortiguará cualquier espacio entre el sumidero y el tubo. **Asegúrese de que el orificio de la esponja esté bien perforado y alinéelo con el del sumidero.**

Tome la mitad del lado del sumidero sin la espuma e inserte una tuerca en la cavidad de cada lado.

Coloque ambas mitades del soporte en el tubo de la línea de desagüe con la abertura alineada sobre el orificio perforado. La junta de espuma estará entre la montura del tubo de desagüe y el orificio perforado.

Consejo: Para asegurarse de que el orificio en sumidero de desagüe esté alineado con el orificio en el tubo, inserte la broca en el sumidero y use la herramienta para alinear los dos orificios mientras ensambla el sumidero en el tubo.

Asegure las mitades de la abrazadera con firmeza en el tubo de desagüe. Atornille los pernos a través de la mitad de las abrazaderas con la junta de espuma y la otra mitad con las dos tuercas instaladas. No las apriete demasiado. Al apretar los pernos, asegúrese de que haya el mismo espacio en ambos lados entre las líneas de desagüe.



PASO 4

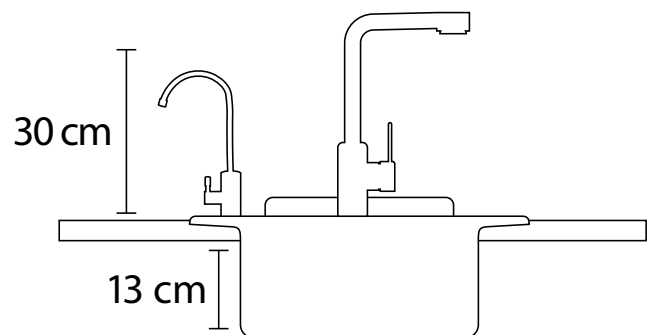
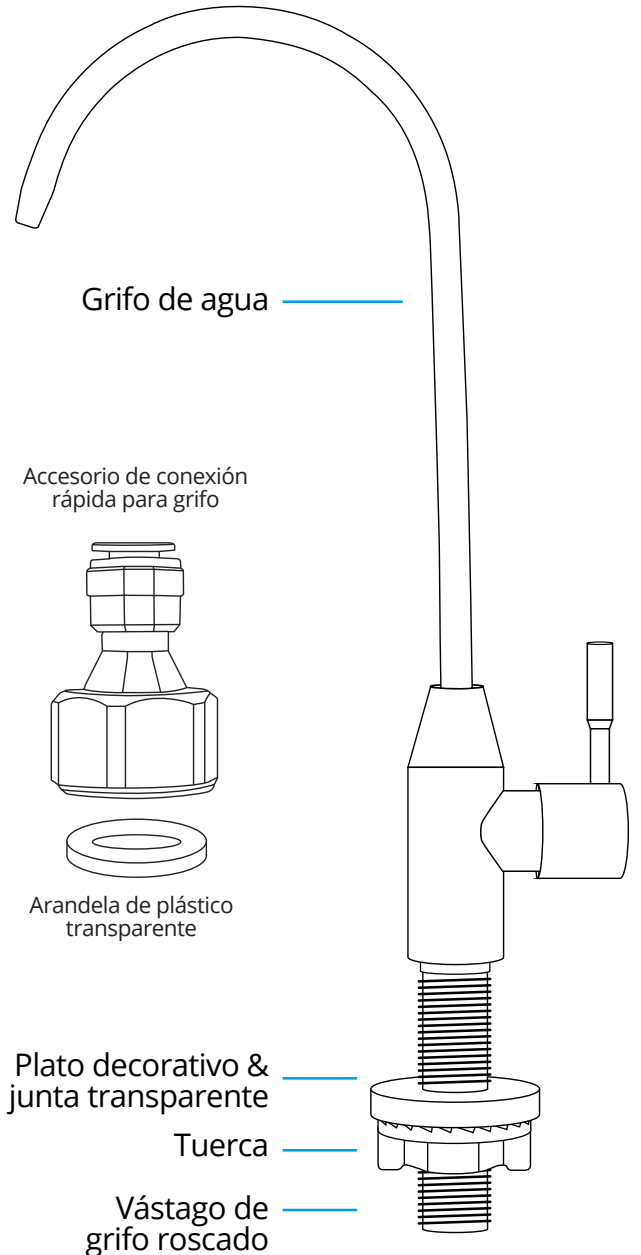
Instalación del grifo

El grifo se puede instalar en cualquier superficie plana. Verifique la parte inferior de ubicación de la instalación para observar si hay interferencias asegurándose de que al perforar un orificio no se dañe ninguna tubería o cableado que se extienda por debajo del fregadero. Asegúrese de que haya suficiente espacio para el vástago roscado del grifo y la tuerca.

Observaciones: Para la perforación, debe utilizar una broca y un método de perforación adecuados para el material de su fregadero o encimera. Se necesitan diferentes brocas para acero inoxidable, porcelana, mármol, etc.

suficiente espacio para el vástago roscado del grifo y la tuerca. Puede usar un orificio existente en la encimera o el fregadero o perforar uno nuevo (**si usa un orificio existente, comience en el paso 2**). Asegúrese de que el plato decorativo del grifo y la tuerca sean lo suficientemente grandes como para cubrir la perforación.

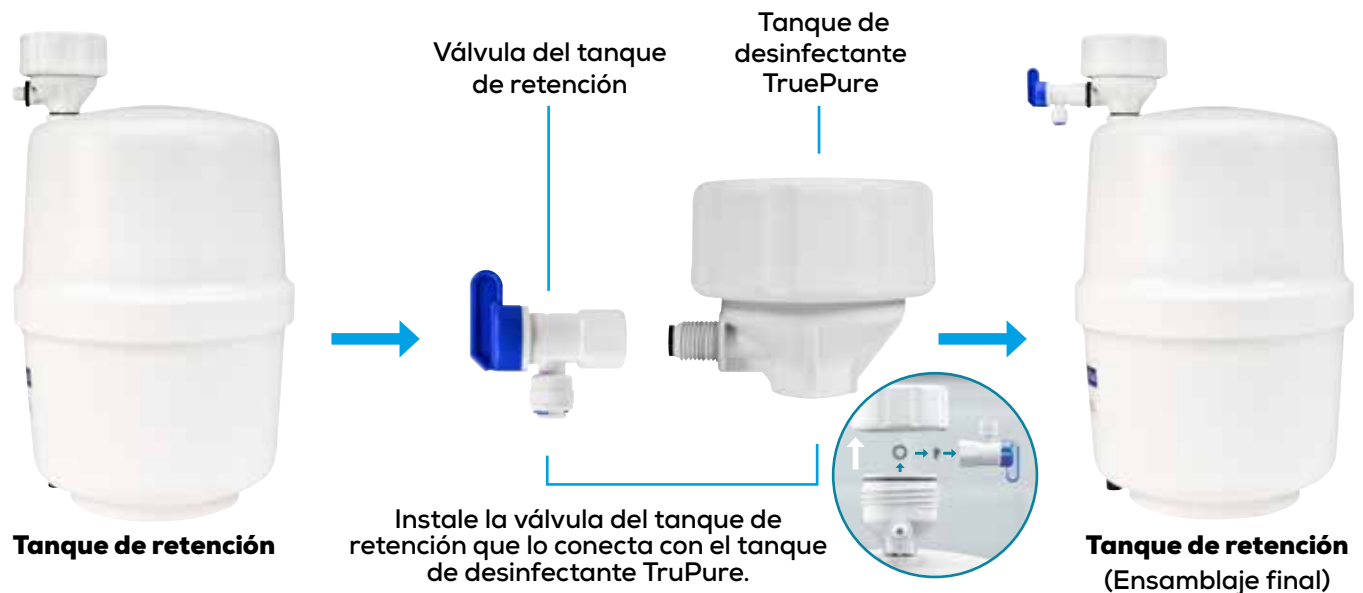
1. Taladre un agujero de **20 mm** utilizando una broca y un método de perforación adecuados para el material.
2. Retire la tuerca de plástico del vástago roscado del grifo.
3. Inserte el vástago roscado del grifo a través del orificio recién perforado o preexistente, asegurándose de que los platos decorativos y la junta transparente permanezcan en el vástago y que cubran por completo el orificio cuando se instalen.
4. Debajo del fregadero, instale la tuerca de plástico en el vástago roscado del grifo, asegurándose de que la junta que viene con el accesorio se encuentre asentada dentro de este. Ajústela manualmente. Asegúrese de que el grifo no se mueva y que el plato decorativo superior cubra el orificio.
5. Instale el accesorio de conexión del grifo al vástago roscado. Primero, envuelva la rosca con cinta de plomería. Asegúrese de que la arandela transparente esté completamente asentada dentro del accesorio utilizado para la conexión. Atornille el accesorio de conexión al vástago roscado. Apriete manualmente con una llave ajustable. **No ajuste demasiado.**



PASO
5

Instalación del tanque de desinfectante TruePure al tanque de retención

1. Desenrosque la tapa azul del tanque de retención.
2. Envuelva la cinta de plomería alrededor del vástago roscado de acero inoxidable del tanque de retención.
3. Atornille el tanque de desinfectante TruePure al tanque de retención y apriételo manualmente.
4. Retire la junta negra que se encuentra dentro del tanque desinfectante y que lo conecta con el tanque de retención. Inserte esta junta dentro de la válvula del tanque de retención.
5. Envuelva la rosca macho del tanque desinfectante que se conecta al tanque de retención con cinta de plomería, atornille la válvula de este último en el vástago roscado del tanque de desinfectante TruPure y apriete a mano.



Observaciones: Retire la junta negra que se encuentra dentro del tanque de desinfectante y que lo conecta con el tanque de retención e insértela en la válvula de este último antes de la conexión final.

PASO
6

Ubicación y montaje del sistema

Instale los tres filtros en el colector de acuerdo con el código de colores correspondiente. Ubique el área debajo del fregadero donde desea instalar el sistema de ósmosis inversa (colector con filtros y tanque de retención).

Observaciones: El colector de filtro se puede colocar en la pared de un gabinete.

Consejo útil: Escriba en el cuerpo del filtro su fecha de instalación con un marcador permanente o utilice nuestra tabla de registros de reemplazos en la última página de este manual para que pueda identificar fácilmente cuándo reemplazarlos.

El prefiltro debe cambiarse cada **6 meses**

El filtro VOC se reemplaza cada **12 meses**

El filtro OI se reemplaza cada **24 meses**

El filtro de carbono VOC con filtro de refuerzo mineral pH+ se reemplaza cada **12 meses**

Precaución

Antes de montar el colector de filtro en la pared de un gabinete, asegúrese de que pueda soportar el peso de los filtros y del colector y que la pared sea lo suficientemente gruesa para acomodar los tornillos de montaje. Si los tornillos de montaje son demasiado largos, le recomendamos que compre otros más cortos en su ferretería local.

PASO
7

Conexión del sistema de agua

Una vez que haya localizado la ubicación óptima para los filtros y el tanque de retención, deberá cortar el tubo de 60 mm a la longitud correcta usando el diagrama que se muestra a continuación. Corte el tubo con un cuchillo afilado. Asegúrese de no doblar ni dañar el tubo.

Punto de conexión:


A a B

Conecte el tubo blanco desde el punto **A** de la válvula del adaptador del grifo de agua al accesorio de conexión rápida marcado con **B** como **"suministro de agua fría"** en el colector del filtro.


C a D

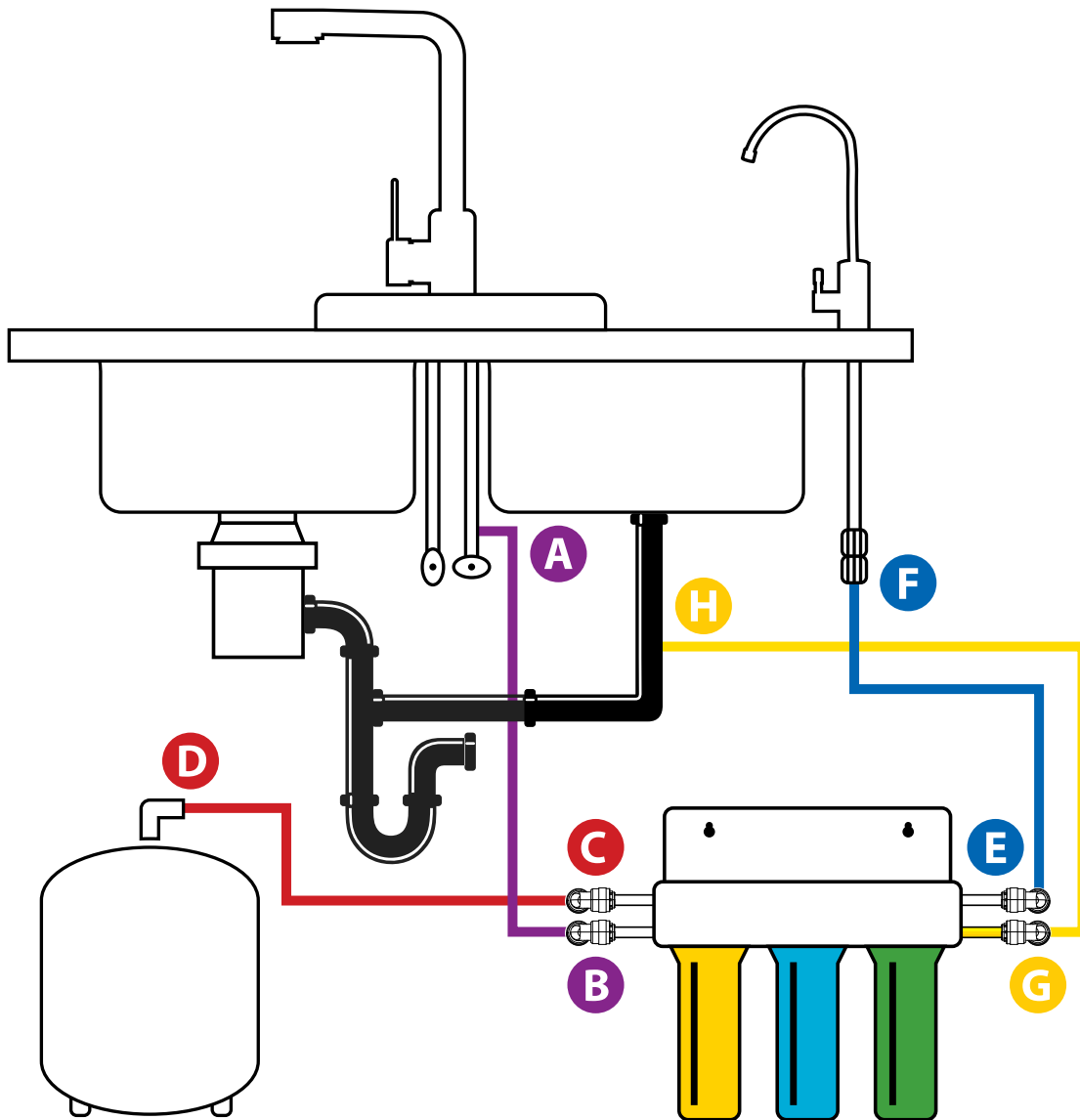
Conecte el tubo blanco al accesorio de conexión rápida **C**, marcado como **"tanque de recepción"** en el colector de filtro y luego conecte el otro extremo a la válvula **D** del tanque de retención.


E a F

Conecte el tubo blanco al accesorio de conexión rápida **E**, marcado como **"grifo de agua"**, en el colector del filtro y luego conecte el otro extremo al accesorio de conexión rápida **F** del grifo.


G a H

Conecte el tubo amarillo al accesorio de conexión rápida **G** marcado como **"Desagüe"** en el colector del filtro y luego conecte el otro extremo a la válvula de desagüe **H**.



- Suministro de agua fría
- Tanque de retención
- Grifo
- Desagüe

PASO
8**Mantenimiento del sistema: Filtros****Abra el grifo:**

Abra lentamente el suministro de agua fría; luego, abra la válvula del adaptador del grifo (gírela en sentido antihorario) para permitir así que el agua sin tratar ingrese al sistema.

¡COMPRUEBE SI HAY PÉRDIDAS!**Abra la válvula del tanque de retención:**

Abra la válvula de esfera del tanque para permitir que le entre agua. **La válvula del tanque está "ABIERTA" cuando la manija está paralela (en la misma dirección) con la salida.**

¡COMPRUEBE SI HAY PÉRDIDAS!**Espera que el tanque se llene:**

Antes de usarlo, llene el tanque de retención y vacíelo por completo dos veces. Espere de 2 a 3 horas para que se llene el tanque. Cuando el tanque esté lleno, el sistema se apagará automáticamente.

PRECAUCIÓN::

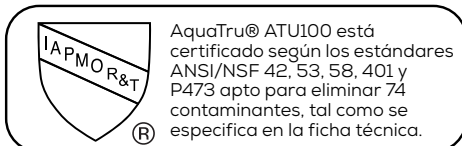
Cuando el equipo se llena por primera vez con agua, algunas pequeñas partículas negras salen del filtro de carbono. Es importante que llene el tanque de retención y lo vacíe 2 veces antes de consumir el agua.

Drene el tanque:

Abra el grifo de agua para drenar el tanque. Deje que el tanque se vacíe totalmente antes de cerrar la palanca.

¡COMPRUEBE SI HAY PÉRDIDAS!

Asegúrese de que no haya pérdidas en las conexiones de juntas, accesorios, válvulas y tuberías.

FIN DE LA INSTALACIÓN

Mantenimiento del sistema

Cambio de filtro:

El sistema cuenta con tres filtros que deben reemplazarse a intervalos regulares para mantener el rendimiento. **Use solo los filtros originales AquaTru.** Los tres filtros son los siguientes:

- **El prefiltro (AT2001)** debe reemplazarse cada 6 meses o cada 2270 litros o lo que ocurra primero.
- **Der VOC-Filter (ATU2003)** se reemplaza cada 12 meses o cada 1360 litros, lo que ocurra primero.
Al reemplazar el filtro le recomendamos que también desinfecte el tanque de retención.
Desinfecte el tanque de retención antes de continuar.
- **El filtro O (AT2002)** se reemplaza cada 24 meses o cada 4540 litros o lo que ocurra primero.
Al reemplazar este filtro, le recomendamos que también desinfecte el tanque de retención.
Desinfecte el tanque de retención antes de continuar.
- **El filtro de carbono VOC opcional con filtro de refuerzo mineral pH+ (ATU2004)** se reemplaza cada 12 meses o 1360 litros, lo que ocurra primero.

Fuentes de suministro de componentes de repuesto: Aquatruwater.eu / Aquatru.co.uk

Algunos consejos antes de comenzar:

1. Asegúrese de que el área de servicio esté libre de suciedad o polvo en exceso para no contaminar las piezas.
2. Lávese las manos con agua y jabón y/o use guantes sanitarios.

Cómo cambiar los filtros

1. Cierre la línea de suministro de agua fría.
2. Vacíe el tanque de retención abriendo el grifo de agua.
3. Quite y reemplace el filtro.

Consejo útil: El filtro puede girar hacia afuera de la base para facilitar su desatornillado.

4. Instale el nuevo filtro, asegurándose de que esté completamente instalado.

Consejo útil: Escriba la fecha de instalación con un marcador permanente en el cuerpo del filtro o utilice nuestro cuadro de registros de reemplazo que se encuentra en la última página de este manual para que pueda identificar fácilmente cuándo reemplazarlos.

5. Cierre el grifo de agua.
6. Abra la línea de suministro de agua fría.

¡COMPRUEBE SI HAY PÉRDIDAS!

7. Una vez que el tanque de retención se haya llenado por completo, vacíelo para limpiar el filtro antes de consumir el agua.
8. Vuelva a llenar el tanque de retención.

Mantenimiento del sistema: Desinfección del tanque de retención

Desinfecte el tanque de retención:

El sistema debe desinfectarse una vez al año. Le recomendamos realizar el proceso de desinfección cada vez que reemplace el filtro VOC, es decir, cada 12 meses. Debe completar el proceso de desinfección antes de reemplazar el filtro VOC. Siga los siguientes pasos.

Para obtener mejores resultados recomendamos utilizar 15 ml de lejía (cloro) para uso doméstico. Para asegurarse de que los tanques se esterilicen, verifique que la lejía no se haya vencido. Si ya venció, compre nueva.

Algunos consejos antes de comenzar:

1. Asegúrese de tener solución desinfectante y un nuevo filtro VOC.
2. Asegúrese de que la superficie esté libre de suciedad o polvo en exceso para no contaminar las piezas.
3. Lávese las manos con agua y jabón y/o use guantes sanitarios.

Cómo desinfectar el tanque de retención

1. Cierre la línea de suministro de agua fría que se conecta al sistema.
2. Abra el grifo y drene el agua contenida en el tanque de retención. Antes de continuar, asegúrese de que el tanque esté completamente vacío.
3. Desenrosque la tapa superior del tanque de retención. **Observaciones: Si el tanque no está completamente vacío, significa que el tanque de retención como el de desinfectante se encuentran presurizados y rociarán agua cuando se abran.**
4. Vierta 15 ml de lejía en el tanque de desinfectante. Si hay demasiada agua en el tanque de desinfectante para agregar lejía, drene el agua antes de agregar la lejía.
5. Vuelva a conectar la tapa superior del tanque de desinfectante y asegúrese de que esté bien cerrada.
6. Cierre el grifo de agua.
7. Abra la línea de suministro de agua fría para que el sistema llene el tanque.

¡COMPRUEBE SI HAY PÉRDIDAS!

8. Espere 2 horas hasta que el tanque de retención se llene por completo.
9. Vacíe el tanque de retención abriendo el grifo de agua.
10. Vuelva a llenar el tanque de retención y cierre la línea de suministro de agua fría.
11. Vacíe el tanque de retención.
12. Reemplace el filtro VOC y otros filtros según sea necesario.

Consejo útil: Escriba la fecha de instalación con un marcador permanente en el cuerpo del filtro o utilice nuestro cuadro de registros de reemplazo que se encuentra en la última página de este manual para que pueda identificar fácilmente cuándo reemplazarlos.

13. Después de reemplazar un filtro, haga pasar dos tanques llenos de agua a través del filtro y drene el agua antes de consumirla.
14. Si tiene más preguntas, no dude en consultar nuestros sitios web en aquatruwater.eu, aquatru.co.uk o llame a nuestro departamento de atención al cliente al +31 (0)24 20 22 195.

¡COMPRUEBE SI HAY PÉRDIDAS!

Preguntas frecuentes & Resolución de problemas

PROBLEMA	CAUSA	SOLUCIÓN
Producción baja/lenta El tanque demora más de 3 h en llenarse	Baja presión de agua	<p>Asegúrese de que haya suministro de agua y que la válvula esté completamente abierta.</p> <p>La presión del agua del grifo debe ser de 275 kPa como mínimo. Si su casa no tiene 275 kPa, le sugerimos reemplazar el purificador debajo del fregadero por un modelo de encimera AquaTru que ya viene con bomba incorporada.</p>
	Ondulaciones en los tubos	Revise los tubos, enderézcelos y reemplácelos según sea necesario.
	Filtros obstruidos	Si el índice de producción anterior era alto pero ha disminuido bastante en unos meses, deberá reemplazar el prefiltro y el filtro OI.
Bajo flujo de agua del grifo	Verifique la presión del aire en el tanque.	El tanque de retención debe tener una presión de 6 a 8 lb/in2 (PSI) cuando se encuentra vacío. Utilice un manómetro y un conector de válvula Schrader (o válvula americana) para llenar otra vez el tanque.
	Válvula del tanque de retención	Asegúrese de que la válvula del tanque de retención esté abierta por completo.
	Verifique si hay juntas desinfectadas en el tanque de desinfectante.	El tanque de desinfectante TruPure se envía ya con la junta dentro del equipo. Antes de la instalación, desenrosque el tanque de desinfectante para acceder a la pequeña bolsa interior que contiene la junta que deberá usar al instalar la válvula del tanque de retención.
Pequeña cantidad de agua en el tanque	Inicio del sistema	Por lo general, se tarda alrededor de 2 h para llenar un tanque. Observaciones: La baja presión y temperatura del agua entrante pueden reducir bastante el caudal de producción de agua.
	Baja presión de agua	La presión del agua del grifo debe ser de 275 kPa como mínimo. Si la presión de agua de su hogar no es de 275 kPa le sugerimos reemplazar su purificador debajo del fregadero por un modelo de encimera AquaTru que ya viene con bomba incorporada.
	Demasiado aire en el tanque de retención	Cuando se encuentra vacío, la presión del tanque de retención deberá ser de 55 kPa. Utilice un manómetro para comprobar la presión. Si la lectura supera los 55 kPa, libere el aire usando la válvula Schrader ubicada en el fondo del tanque.

Preguntas frecuentes & Resolución de problemas

PROBLEMA	CAUSA	SOLUCIÓN
Pérdidas a través del colector del filtro	El filtro no está bien instalado o quizás la junta tórica se encuentra dañada.	<p>Verifique que el filtro se haya instalado de manera correcta y completa.</p> <ol style="list-style-type: none"> 1. Despresurice los filtros cerrando primero la línea de suministro de agua del grifo y luego la válvula del tanque de retención. 2. Cierre la línea de suministro de agua del grifo. 3. Cierre la válvula del tanque de retención. 4. Abra el grifo. Cuando ya no se observe que sale más agua del grifo, es el momento adecuado para quitar cada filtro. 5. Revise la junta tórica. 6. Vuelva a instalar los filtros asegurándose de que estén completamente insertados. 7. Represurice el sistema.
Perdite d'acqua	La junta no sella por completo.	<p>Despresurice el sistema y elimine toda el agua presente en el tanque. Retire el elemento causante de las pérdidas en el equipo e inspeccione la junta para asegurarse de que no esté defectuosa. Si la pérdida proviene de una rosca, aplique cinta de plomería nueva y luego reinstale los componentes, asegurándose de apretarlos de acuerdo con lo señalado en el manual.</p>

Garantía limitada de dos años

El purificador de agua AquaTru tiene garantía contra defectos de materiales y mano de obra durante dos años a partir de la fecha de compra. Si el producto tiene un defecto de materiales o mano de obra, lo repararemos o reemplazaremos sin cargo para usted (se aplicará una tarifa de envío y gastos administrativos). **La garantía no incluye filtros ni tanque de almacenamiento.** Para obtener servicio bajo garantía, solo debe contactarse con nuestro servicio de atención al cliente al **+31 (0)24 20 22 195 an.**

Esta garantía no cubre filtros, daños causados por accidente, un mal uso o cualquier otro distinto del previsto y detallado en este manual o daños por falta de mantenimiento o limpieza de este producto según las especificaciones. Esta garantía se aplica solo al comprador del purificador de agua AquaTru.

TODAS LAS GARANTÍAS EXPRESAS E IMPLÍCITAS PARA ESTE PRODUCTO, ENTRE ELLAS LAS CORRESPONDIENTES A LA COMERCIALIZACIÓN Y DESTINO PARA UN PROPÓSITO PARTICULAR, TIENEN UNA DURACIÓN LIMITADA Y NINGUNA DE ELLAS, CUALQUIERA SEA SU TIPO, SE APLICARÁ DESPUÉS DE ESTE PERÍODO.

Algunos países no permiten limitaciones en la duración de las garantías implícitas, por lo que es posible que lo expresado anteriormente no se aplique a su caso. Si bien esta garantía le otorga derechos legales específicos, es posible que también tenga otros que varían de un país a otro.

Información de contacto para el servicio bajo garantía:

AquaTru Water B.V.
Groesbeekseweg 22 6524 DB Nijmegen
The Netherlands info@aquatruwater.eu

AQUATru®

Aquatruwater.eu
Aquatru.co.uk

©2024 AquaTru,® LLC. Todos los derechos reservados.

Registros de reemplazo de los filtros

1 Prefiltro/ filtro de carbono	2 Filtro RO	3 Filtro VOC
Fecha:	Fecha:	Fecha:
Fecha:	Fecha:	Fecha:
Fecha:	Fecha:	Fecha:
Fecha:	Fecha:	Fecha:
Fecha:	Fecha:	Fecha:
Fecha:	Fecha:	Fecha:
Fecha:	Fecha:	Fecha:
Fecha:	Fecha:	Fecha:
Fecha:	Fecha:	Fecha:
Fecha:	Fecha:	Fecha:
Fecha:	Fecha:	Fecha:
Fecha:	Fecha:	Fecha:
Fecha:	Fecha:	Fecha:
Fecha:	Fecha:	Fecha:
Fecha:	Fecha:	Fecha:
Fecha:	Fecha:	Fecha:
Fecha:	Fecha:	Fecha:
Fecha:	Fecha:	Fecha:
Fecha:	Fecha:	Fecha:
Fecha:	Fecha:	Fecha:
Fecha:	Fecha:	Fecha:
Fecha:	Fecha:	Fecha:
Fecha:	Fecha:	Fecha: