

AQUATru[®]

CARAFE

Owner's Manual **GB** 

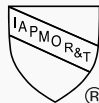
Gebruikershandleiding NL

Manuel d'utilisation FR

Benutzerhandbuch DE

Manuale del proprietario IT

Manual de usuario ES



This AT100, AT110, AT120, AT130 and AT140 system has been certified by IAPMO against NSF/ANSI standard 42, 53, 58 and 401 for the reduction claims specified on the performance data sheet as verified and substantiated by test data and at IAPMO.org



AQUATru®



Thank You

Thank you for purchasing the AquaTru® Carafe countertop water purifier! This revolutionary water purifier harnesses the power of reverse osmosis filtration into a convenient and compact countertop design, so you can purify water without any installation or plumbing. AquaTru Carafe will not only help you create healthy, delicious water, but it will also help you to eliminate single-use plastic waste from water bottles. You'll save money while saving the planet too.

We have a stellar customer support team, who is ready to help you every step of the way. So don't hesitate to contact us at any time.

Follow us on social and visit us at [Aquatruwater.eu](https://www.aquatruwater.eu) to find out more ways to enhance your AquaTru experience.

Please be sure to read the following instructions carefully before use to ensure optimal performance and safety.



Table of Contents

Safety Instructions	GB-2
Features and Benefits	GB-4
Specifications	GB-5
Main Parts	GB-6
Water Filtration Process	GB-10
Installation	GB-11
Control Panel	GB-14
How To Use	GB-15
Cleaning & Maintenance	GB-16
Cleaning & Maintenance: Filters	GB-19
FAQ & Troubleshooting	GB-23
Two-Year Limited Warranty	GB-26



Safety Instructions

Read and Save These Instructions

WARNING: IF NOT OBSERVED, SERIOUS PHYSICAL INJURY OR PROPERTY DAMAGE MAY OCCUR AS A RESULT OF NOT FOLLOWING THE ENCLOSED GUIDELINES.

WARNING: Use only on municipally-treated water or any other water supply known to be microbiologically safe.

- Do not repair, disassemble, or modify.
- This appliance is not intended for use by persons (including children) with reduced physical, sensory or mental capabilities, or lack of experience and knowledge, unless they have been given supervision or instruction concerning use of the appliance by a person responsible for their safety.
- Children should be supervised to ensure that they do not play with the appliance.



Safety Instructions

READ ALL INSTRUCTIONS BEFORE OPERATING THE AQUATRU.

- Use or place the unit on a level area and do not apply force to the unit.
- Use or place in a cool, shady place away from sunlight. Do not keep AquaTru in bright sunlight, since the light and heat helps algae grow.
- Periodical filter replacement is a prerequisite for obtaining clean water.
- Do not use AquaTru filtered water for the water exchange of an aquarium or a fishbowl.
- Hand wash only. **Not dishwasher safe!**
- Household use only.
- Do not operate below 4° C.
- When placing AquaTru on a kitchen countertop, always avoid placing it near hot surfaces like stoves and ovens.

NOTICE: TO REDUCE THE RISK ASSOCIATED WITH PROPERTY DAMAGE DUE TO WATER LEAKAGE:

- Read and follow these instructions before installation and use of the AquaTru.
- To protect from freezing, remove filter cartridges when temperatures are expected to drop below 4° C.
- Do not use in areas where temperatures may exceed 38° C.
- Do not place the AquaTru in direct sunlight.



Features and Benefits

Advanced 4-Stage Purification System

The AquaTru water purification system provides powerful 4-Stage Reverse Osmosis purification performance utilizing Ultra Reverse Osmosis® technology.

Long-Lasting Filters

Long-lasting filters mean less filter changes that add up to significant savings for you over the life of the product. Less frequent filter changes are not only good for your wallet, but also the planet.

Space-Saving, Compact Design

Efficient and elegant countertop design takes up minimal space in the kitchen.

Quick Filter Replacement

Easy access and easy removal to replace filters.

Easy Installation

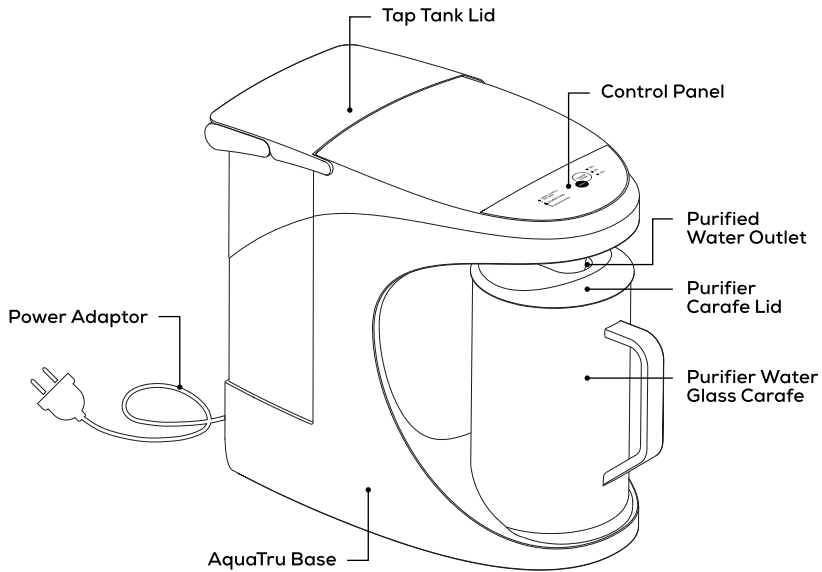
Ready to use in less than 10 minutes.

Operational Parameters

- Daily Production Rate: 147 L/Day
- Pre/Carbon Filter Capacity: 1135 L or 6 months
- Reverse Osmosis Filter Capacity: 2270 L or 24 months
- VOC Carbon Filter Capacity: 1135 L or 12 months
- VOC Carbon with pH + Mineral Boost Filter Capacity: 1135 L or 12 months
- Operating Pressure: 275 kPa - 586 kPa
- Use Cold Tap Water Only, 4° - 38° C
- Max Total Dissolved Solids 1500 mg/L
- Maximum Hardness 10 gpg (171 mg/l)
- Chlorine < 2 PPM
- PH 3-11
- Turbidity 5 NTU Max

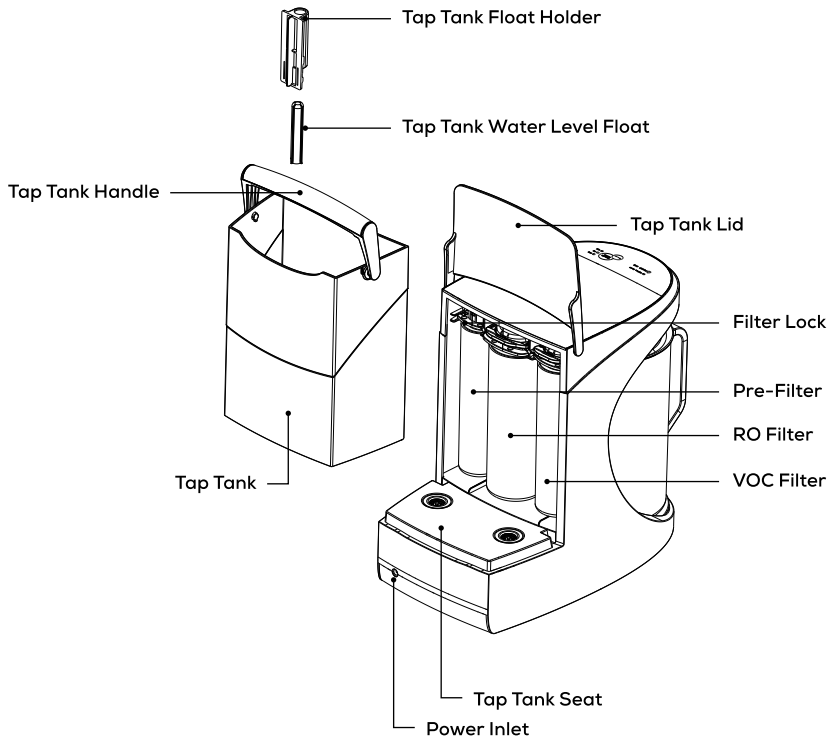
Main Parts

AquaTru Carafe



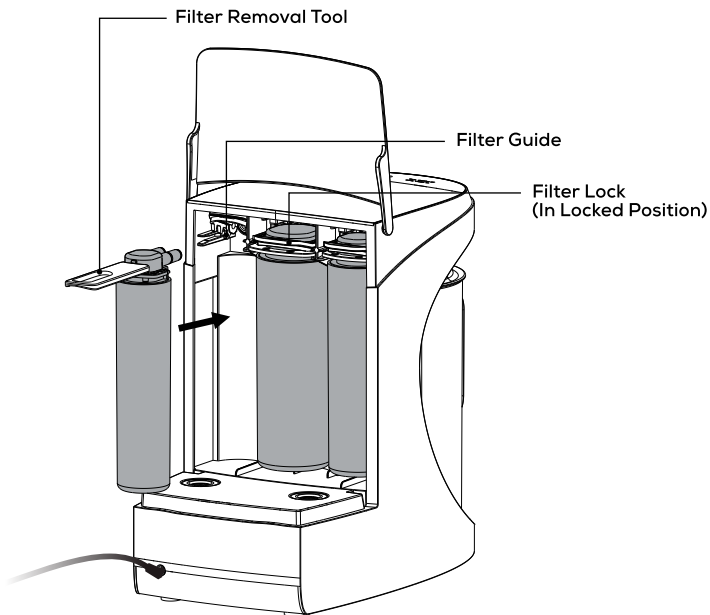
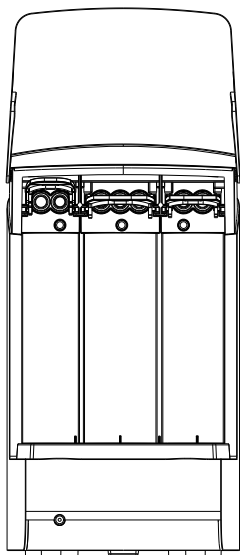
Main Parts

AquaTru Carafe



Main Parts

Filter Replacement / Installation



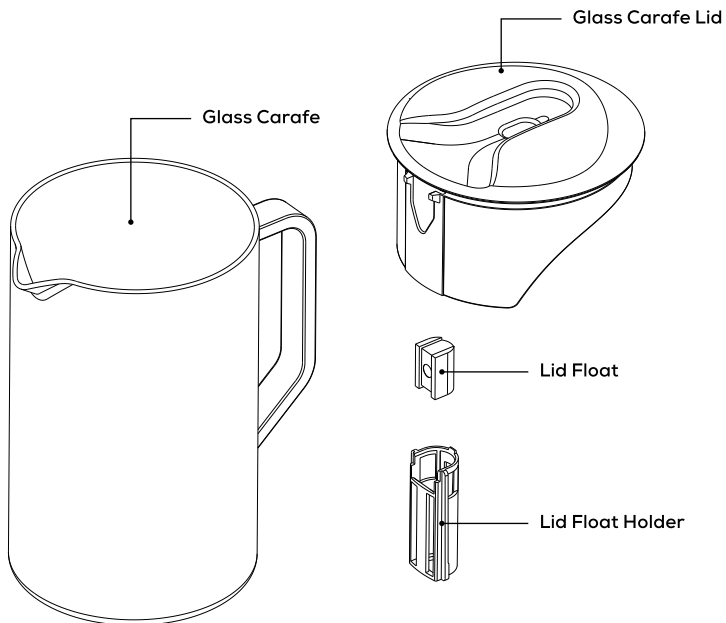
Filter Removal Tool

Filter Guide

Filter Lock
(In Locked Position)

Main Parts

Purified Carafe Lid



Water Filtration Process

4-Stage Reverse Osmosis Purification:

1. Dual-Stage Pre-Filter & Carbon Filter (Capacity: 1135 L or 6 months)

The Pre-Filter removes sand, silt, sediment, rust and particles from water. Activated carbon reduces chlorine taste and odors and then conditions the water before it is treated by the Reverse Osmosis membrane.

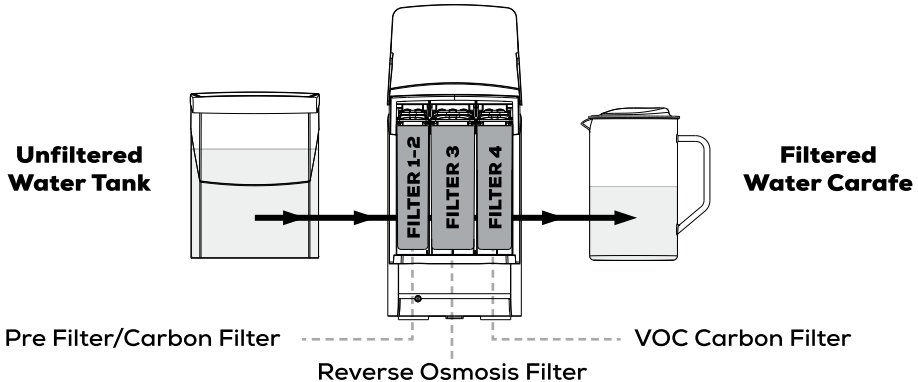
2. Reverse Osmosis (RO) Filter (Capacity: 2270 L or 24 Months)

The RO Filter reduces impurities from the water down to 1/10,000 of a micron.

3. VOC Carbon Filter (Capacity: 1135 L or 12 months)

VOC Carbon with pH + Mineral Boost Filter (Capacity: 1135 L or 12 months)

This Carbon Filter is made of high quality activated carbon. It is designed to remove volatile organic compounds (VOCs), enhance the taste and prepare the water for consumption.



WARNING: Use and store AquaTru in a cool, shady place, away from sunlight. Do not keep your AquaTru in sunlight, since the bright light and heat facilitates algae growth.

CAUTION: Before installing the filters and cleaning the water tank, make sure that you have thoroughly cleaned your hands and your working surfaces are sanitized.

1. Remove all parts from the box.
2. Wash both the tap water tank and glass carafe with soap and rinse before using the unit. (Figure 1)
3. Remove blue filter plug.
4. Remove the filters from vacuum-sealed bag. (Figure 2)
5. Lift up on the filter lock and slide in the filter, making sure to align the filter with the filter channel in the AquaTru base. (Figure 2)
6. Push the filter all the way in. (Figure 3)

Figure 1

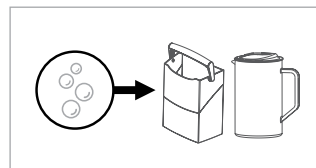


Figure 2

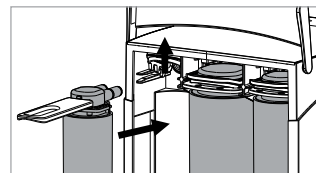
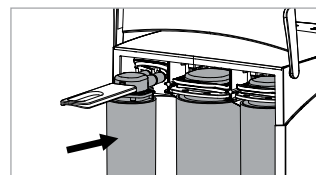


Figure 3



Installation

7. Push down on the filter lock to lock the filter into place. (Figure 1)
8. Fill up the tap water tank with cold tap water and then reinstall the tank.
9. Insert the purifier glass carafe, making sure the carafe lid is in the correct position. (Figure 2)
10. Plug in the unit.
11. The unit will start filtering water automatically.

Figure 1

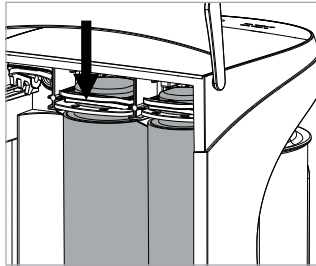
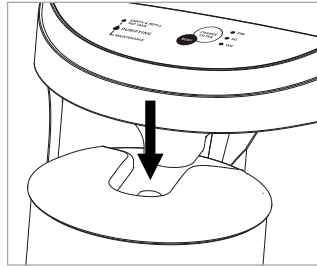


Figure 2



Note: It will take longer than normal for the first tank to go through a cycle as the filters become fully saturated. A white cloud will be visible in the tap water tank. This is perfectly normal, the white cloud contains tiny air bubbles released by the RO filter.

First Time Start-Up Procedure

Run four full, unfiltered, tap water tanks through AquaTru before drinking.

NOTICE: Keep a close eye for any water leaks. In case of a leak, check the "Troubleshooting" guide on page 21.

12. AquaTru will stop filtering water when the clean water tank is full or when it is time to refill the tap water tank.

Note: When it is time to refill the tap water tank, it will be a quarter full. The leftover water is waste water with concentrated contaminants and **MUST** be emptied each time before refilling with tap water.

All RO water filtration systems will produce waste water when "back washing" the RO filter. Most traditional RO systems have this dirty little secret. They waste up to five gallons of water to make just one gallon of pure water. With our patented AquaTru recirculation RO system, it only takes one gallon of tap water to makes about 3L of pure water. The water left in the tap water tank contains all the impurities from the tap water.

CAUTION! The water in the tap water tank must be discarded every time you refill the tap water tank. Failure to do so will damage the unit and void the warranty.

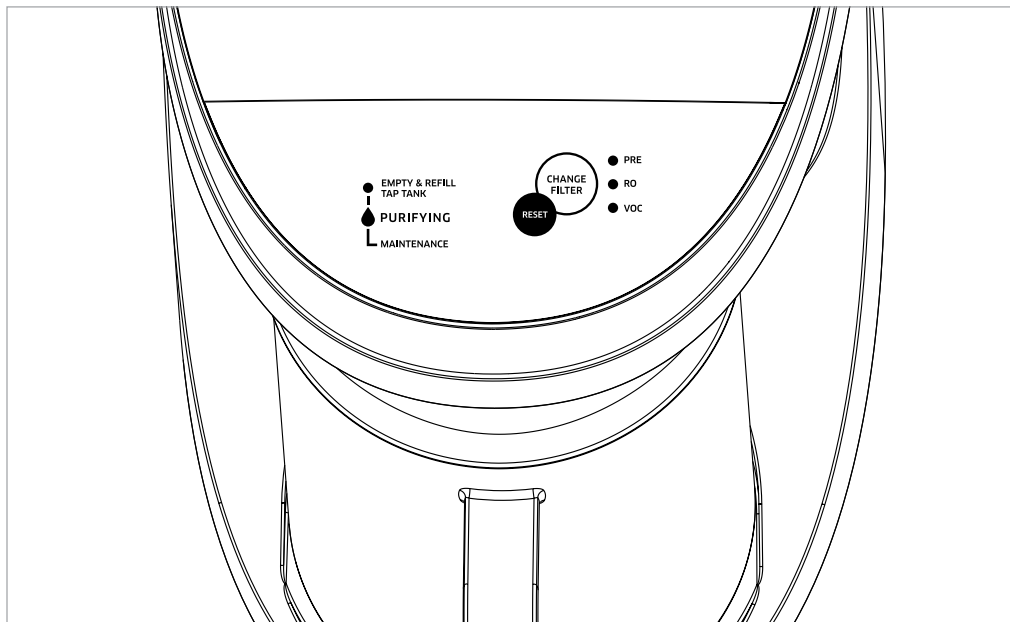
13. Empty and rinse both water tanks.
14. Repeat steps 9-13, three more times.
15. When four cycles have been completed, your new water purifier is ready to be used.

Control Panel

When the unit is filtering water, the **Purifying** symbol will light up and pulsate.

The **Empty & Refill Tap Tank** will light up each time it is time to empty the tap tank and refill it. **You must always empty the tap tank before refilling it. Failure to do so will damage the unit and void the warranty.**

The Light on Pre (Pre-Filter), RO (Reverse Osmosis Filter) and VOC (VOC Filter) will light up when it is time to replace the Filter.

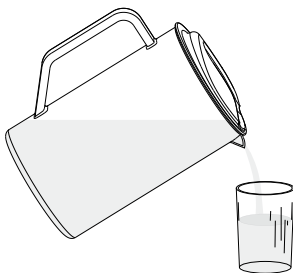
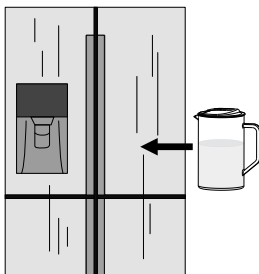


CAUTION: USE ONLY COLD TAP WATER.

CAUTION: Before installing the filters and cleaning the water tank, make sure that you have thoroughly cleaned your hands and your working surfaces are sanitized.

WARNING: Use only on municipally treated water or any other water supply known to be microbiologically safe.

1. Fill the tap water tank with cold water and install it on the AquaTru Carafe base.
2. Let AquaTru filter until **Purifying** light stops and your front filtered water tank is full.
3. When it is time to refill the tap water tank, the **Empty & Refill Tap Tank** will light up. Remove tank and **discard the remaining water**. Refill the tap tank with cold water until it reaches just below the tank handle. Reinstall tank.
4. To dispense water, remove the glass carafe and pour the water. (Figure 1)
5. You may also buy an extra carafe to keep in the refrigerator to make cold water. (Figure 2)

Figure 1**Figure 2**

Note: For best performance and longevity of the AquaTru Carafe, we recommend that the unit is always powered on with the Carafe in place and you refill the tap water tank each time the **Empty & Refill Tap Tank** light comes on.

Visit our website at www.aquatruwater.eu to order extra glass carafes so you can purify more water to refrigerate water or just have on hand.

Cleaning

Tanks – Clean both water tank and carafe, inside and out, with soap and water weekly.

Scale Deposits in Tap Water Tank

If you live in an area with hard water, you might see white scale deposits in the tap water tank. It is important that you always make sure that you keep your tap water tank free of scale build-up deposits by washing the tap water tank thoroughly with dish soap and water as instructed weekly. If you are not able to remove the deposit with water and dish soap, we recommend you soak your tank with one packet of AquaTru Descaling Powder (Part# 90AT100DK01) and a full tank of warm water. Let the tank sit for one hour before you scrub the inside of the tank. Then wash the tank valve with a soft non-abrasive sponge before washing with soap and water. Make sure that you remove all of the calcium deposits in both the tank and the valves that are inside the button of the tank.

Algae in the Water Tanks

In order to avoid algae from growing in the tap water and clean water tanks, you need to wash them weekly and keep AquaTru away from heat sources and direct sunlight. In case of algae growth, we suggest that you soak the tanks in a bleach solution (follow the instructions on your bleach container to create a sanitizing solution) for one hour before washing with soap and water.

Unit/Base – Clean the outside of the unit using a non-abrasive sponge or towel with soap and water. To avoid water spots; use a clean drying towel to thoroughly dry all surfaces of the AquaTru.

Please Note: During normal use, small amounts of water may occasionally leak from valves. Use a dry towel to soak up any spillage before reinstalling tanks.

Cleaning & Maintenance

AQUATRU CARAFE MAINTENANCE

WARNING: AquaTru Carafe has a built-in maintenance alert to let you know when your purifier needs some TLC. When the Empty & Refill Tap Tank and Purifying lights turn on at the same time and the unit stops filtering water, this indicates Maintenance alert is on.



AquaTru Carafe is designed to complete filtering one full tank in about 12-15 minutes. If the time to filter one full tank exceeds 30 minutes, the unit will stop filtering, and the **Empty & Refill Tap Tank** and **Purifying** lights will turn on simultaneously. When this happens, please follow the below maintenance steps to get your AquaTru Carafe back up and running.

There are 3 main reasons for the filtering time to be slower than usual and the Maintenance alert to activate:

- a. High TDS or Total Dissolved Solids (AKA hard water) in the Tap Tank**
- b. Scaling inside the RO filter or internal parts of the purifier**
- c. Valve malfunction**

We will go through what to do in each of these cases below.

How to Check if High TDS in the Tap Tank is Slowing Down the Filtering Time

Remove the Tap Tank from the unit to make sure it is clean and free of any hard water scale. If you see white hard water deposit inside the unit, descale the Tap Tank by using AquaTru Descaling Powder (Part #10AT01CADK06). Follow the directions on the

Cleaning & Maintenance

package. While cleaning the Tap Tank, make sure the tank's valves move freely and are free of any scale deposits. Fill the Tap Tank with cold tap water and place it on the base. Empty the clean water carafe and place it into position on the base. Measure the time it takes to filter one full tank.

If it takes about 30 minutes, you have hard water scaling inside the unit, see below section "How to remove Scaling inside the filters or unit."

If you do not filter any water at all, you may have a valve malfunction. Please contact customer support for assistance.

If filtering took about 15 to 20 minutes, you had high TDS water in the tap tank. To avoid this, always empty the tap tank of concentrated waste water produced after each cycle of purifying before refilling it with a full tank of fresh tap water.

How to Remove Scaling Inside the Filters or Units

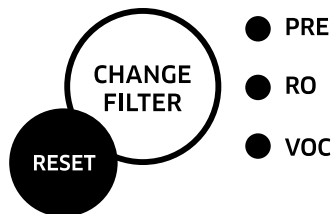
Use the AquaTru Carafe Descaling Kit (Part# 90AT100DK01) available on the AquaTru website (aquatru.com) to descale the unit. Follow the instruction of the descaling kit to complete the full descaling process. After descaling is complete, filter one full tank and measure the time it takes to filter. If the time is over 20 minutes for 1 tank, we recommend replacing the RO filter.

Valve Malfunction

If, after checking for high TDS in the tap tank and descaling unit and replacing the RO filter, filtering time is still slow, please get in touch with our customer support for further assistance.

Filter Replacement

AquaTru will track the usage of your filters and let you know when it's time for them to be changed. When a filter needs to be changed, the filter light will remain lit on either the Pre, RO, or VOC indicator. Upon replacement, press the filter **Reset** button on the control panel for **5 seconds** and the lights will turn off.



Note: Depending on the water quality where you live and your pattern of usage of the AquaTru, more frequent replacement of the RO Filter might be needed. If the filtering time of one tank takes longer than 30 minutes (normally it should take about 15 minutes), we recommend replacing your RO Filter regardless of if the filter change light is on or not. If you change the filter prior to the indicator light turning on, please follow instructions about how to reset the filter on page 20.

Longer filtering time can occur if hard water scale builds up on the RO membrane and internal surfaces, which will slow and eventually block the water flow. If not addressed with proper maintenance, this will add extra stress to the pump and filter that can cause the machine to leak due to high-pressure and nowhere for the water to go, or lead to complete product failure. Please address excess filter time immediately by following appropriate descaling maintenance or replacement of an RO filter. If you have any questions, please contact our customer support team.

**Please visit our website to purchase replacement filters /
www.aquatruwater.eu**

Cleaning & Maintenance: Filters

Filter Replacement

1. Remove the tap tank.
2. Push up on the filter lock to release it. (Figure 1)
3. Use the filter removal tool to pull out the old filter. (Figure 2)
4. Install new filter by aligning the filter guide and pushing the filter all the way in.
5. Lock the filter in place by pushing the filter lock down.
6. Press filter **Reset** button located on the control panel (Figure 3). Press and hold for at least 5 seconds.

Figure 1

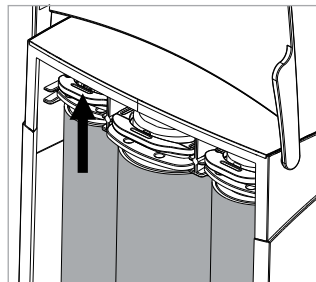


Figure 2

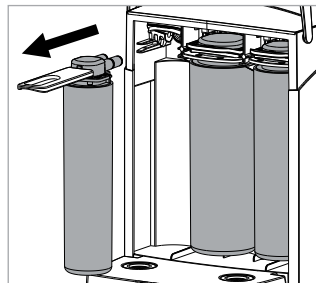
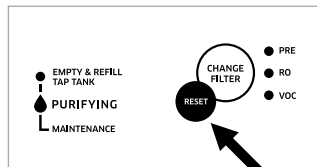


Figure 3



Cleaning & Maintenance: Filters

IMPORTANT: After installing a new filter, always discard the first two full water tanks the AquaTru produces.

If you have replaced a pH+ Mineral Boost Filter, filter and discard the first four tanks.

IMPORTANT: Once you have installed the new clean filters, you must press the filter Reset button located on the control panel, located on the top of the unit. If you do not do this step, the filter light indicator will stay lit and your AquaTru will not track the life of the new filter.

Long Term Storage / Vacation

If leaving on vacation, start by unplugging the unit. Next, wash both the tap tank and glass carafe with soap and water. Allow them to dry thoroughly before reinstalling. When you have returned from vacation, purge the system of stagnant water by running four full tap water tanks through the system and discarding the water each time. Once the fourth tank has been filtered, the unit is ready to use. This process can be avoided by having a house sitter run one tank of tap water through the AquaTru at least once a week.

- Filter 1-2** | Pre/Carbon Filter (Part# U10AT100SF01) - 6 months
- Filter 3** | Reverse Osmosis Filter (Part# U10AT100RF01) - 24 months
- Filter 4** | VOC Carbon Filter (Part# U10AT100VF01) - 12 months or
VOC Carbon with pH + Mineral Boost (Part# U10AT100VFA01) - 12 months

Filter replacement before filter light has turned on

If you replace a filter before a filter change light turns on and you need to reset the filter timer, do the following:

- 1. Replace the filter** following the steps in the manual
- 2. Place the timer into reset mode:** Press the reset button for 10 seconds until all three filter lights blink (Pre, RO, VOC)
- 3. Select the filter to be reset:** You can cycle through which filter to select by pressing the reset button a single time. For example, press one time on the reset button, and only the **Pre** LED will blink. You can now reset the Pre-Filter time; press one more time, and the **RO** will blink and press one more time and the **VOC** LED will blink, press one more time and you will return to the blinking **Pre** and so on.
- 4. Reset the filter:** After a filter has been selected, press and hold the **Reset** button for three seconds until the light starts blinking faster and then stops. This filter has now been reset.

If you want to stop resetting a filter or you have reached this menu by mistake, stop pressing the reset button and wait 30 seconds, and the AquaTru Carafe will go back into normal mode.

FAQ & Troubleshooting

CAUTION: Before doing any maintenance or troubleshooting, make sure that you have thoroughly cleaned your hands and your working surfaces are sanitized.

WARNING: To refill the tap water tank, **ALWAYS** remove the tank and discard the remaining water **BEFORE** refilling.

PROBLEM	REASON	SOLUTION
Unit will not power on.	Unit is not plugged in.	Plug power adapter into unit. Then plug the power cord into a GFCI equipped outlet.
	Tap tank or glass carafe is not fully seated.	Press down on tap tank and make sure glass carafe is correctly positioned to make sure they are fully inserted.
Clean water carafe is empty but AquaTru will not start.	Tap water tank is empty.	Fill up the tap water tank.
	Tank or glass carafe is not fully in place or seated.	Reinstall both tank and carafe.
	You did not remove the tap water tank when you refilled it.	The tap water tank always has to be removed from the base and remaining water has to be discarded before refilling with tap water again. Failure to do so will void the warranty and the unit will stop filtering water.
Water tank or glass carafe smells.	Water level floats may not be moving freely.	Check the water level float in each tank to make sure they can move freely up and down in the float holder.
	The water tank or glass carafe is dirty.	Wash the water tank and glass carafe with soap and water once a week. Note: Use and store AquaTru in cool, shady place away from sunlight. Do not keep your Aquatru in sunlight, since sunlight and heat can facilitate algae growth.

FAQ & Troubleshooting

PROBLEM	REASON	SOLUTION
Tap water tank is leaking.	<p>Tap tank is not properly seated.</p> <p>The valve may not be closing properly.</p> <p>You might have accumulated mineral scale on the valves.</p>	<p>Reinstall tank.</p> <p>To test valve, press the small white pin with spring located at the bottom of tap tank. Do this above a sink as water will release from the tank.</p> <p>Fill the tank with half vinegar half hot water solution from the kitchen faucet. Let it stand for 30 minutes. Drain by pushing on the valve under the tank. Wash thoroughly with soap and water before reinstalling back onto AquaTru.</p>
AquaTru is filtering slower than usual.	<p>The RO filter might have come to the end of its life. As the RO Filter gets older, the filtering time may increase.</p> <p>RO Filter may have become completely clogged.</p>	<p>Depending on the water quality where you live and your pattern of usage of AquaTru, more frequent filter replacements may be needed. If the filtering time of one tank takes longer than 30 minutes (normally it should take 10- 15 minutes), we recommend you replace your RO Filter (filter #3) regardless of whether or not the filter change light is on or not.</p> <p>Replace RO Filter (Part# U10AT100RF01). Very hard water can slow down the filtering time. Note: Longer filtering times do not impact the efficiency of the filters.</p>
My clean water has higher TDS than before.	<p>New VOC Carbon Filter has been installed.</p> <p>RO Filter may need to be changed</p>	<p>Run four tap water tanks to rinse out particles from new carbon filter.</p> <p>Generally, RO system lowers TDS readings by 90% as compared to tap water readings. If you see less than 80% reduction, you need to replace the RO Filter.</p>

FAQ & Troubleshooting

PROBLEM	REASON	SOLUTION
AquaTru makes a strange noise.	<p>Normal pump operation.</p> <p>New filter installation.</p>	<p>The water pump will make noise during water filtration.</p> <p>Some filters make extra noise as they become saturated. This is normal and should reduce in time.</p>
Bad tasting water.	<p>New filters have not been flushed completely.</p> <p>Filter may need to be replaced.</p> <p>The water tanks are dirty.</p>	<p>Run four tanks of water through your AquaTru to rinse out particles when you install a new filter.</p> <p>Order new filters at AquaTru.com.</p> <p>Wash water tanks with soap and water once a week.</p>
Water is leaking from the unit.	<p>Filters installed incorrectly.</p> <p>Defective filter.</p>	<p>Reinstall each filter. Remove the filter O-ring and reinstall the O-ring ensuring that each has been properly positioned. Wet the O-ring with clean water before installing the filter.</p> <p>Compare each filter to make sure that all outside O-rings are identical in size. Filters should fit tightly when installed. If loose, the filter is defective.</p>
White cloudiness in the tap water tank.	<p>Micro air bubbles from RO Filter.</p>	<p>This is normal and may be experienced during every use.</p>
My tap water tank has white scaling.	<p>The tank has accumulated minerals from the tap water.</p>	<p>The scaling can be removed using 1 packet of AquaTru's Descaling Powder (Part# 90AT100DK01). Fill the dirty tank with warm water and empty 1 packet of AquaTru Descaling Powder. Stir to dissolve, then let sit for one hour before scrubbing clean. Thoroughly rinse tank before reinstalling.</p>

Two-Year Limited Warranty

Two-Year Limited Warranty Your AquaTru water purifier is warranted to be free from defects in materials and workmanship for two years from the original purchase date. Should the product have a defect in materials or workmanship, we will repair or replace it without charge to you (a shipping and processing fee will apply). **Warranty does not include filters and water tanks.** To obtain service under warranty, simply call our customer service at **+31 24 2022 195**.

This warranty does not cover filters, damage caused by accident, misuse or any use other than as intended and described in this product manual, or damage resulting from failure to maintain and clean this product as also specified in this product manual. This warranty applies only to the original purchaser of the AquaTru water purifier.

ALL EXPRESS AND IMPLIED WARRANTIES FOR THIS PRODUCT, INCLUDING IMPLIED WARRANTIES OF MERCHANTABILITY AND FITNESS FOR A PARTICULAR PURPOSE, ARE LIMITED IN DURATION TO THE WARRANTY PERIOD, AND NO WARRANTIES, WHETHER EXPRESS OR IMPLIED, WILL APPLY AFTER THIS PERIOD.

Contact Info for Warranty Service:

AquaTru Water B.V.

AquaTru Europe | Groesbeekseweg 22
6524 DB Nijmegen | The Netherlands
info@aquatruwater.eu

©2023 AquaTru Water B.V.
All Rights Reserved.
aquatruwater.com/patents

Show us how you AquaTru!

Tag and follow us

@aquatrueurope





AQUATru[®]

AquaTru Water B.V.

AquaTru Europe | Groesbeekseweg 22
6524 DB Nijmegen | The Netherlands

www.aquatruwater.eu

©2023 AquaTru Water B.V.
All Rights Reserved. 03.23.R1