

Bellagio Exposed Wall Mount Bath Tap Set

ZB1228

WELS: 3 stars

Litres/minute: 9L (handshower only)

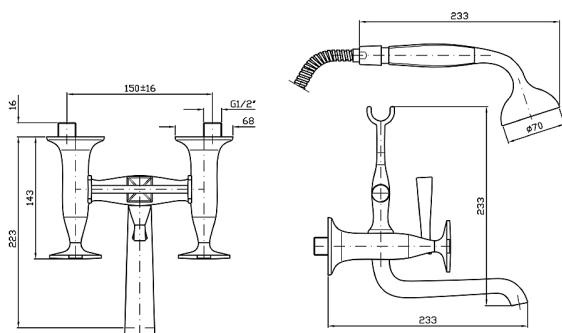
WELS License: 0023

Finish: Chrome

Finishes available:

Nickel*, Gold*, Brushed Gold*

*Colours indicated have 16 week lead time.



The Bellagio exposed wall mount bath tap set by Matteo Thun is more than a simple tap, it is a way of viewing the bathroom as a place of refined elegance. It is a timeless element of the decor which confirms its metropolitan and contemporary personality in any environment. Bellagio is an aristocratic and exclusive citizen of the world, despite having such an Italian name testimony of the industrial background in which it has been created.

The Bellagio exposed wall mount bath tap set comes complete with brass handshower and 1500mm flexible hose. It features smooth operating 1/2 turn spindles with distinguished and detailed hot and cold indicators on the handles are enhanced with the Zucchetti insignia.

Spout projection of 223mm.

WARRANTY
15 years

*Conditions apply.