

**Bellagio Bidet Mixer**

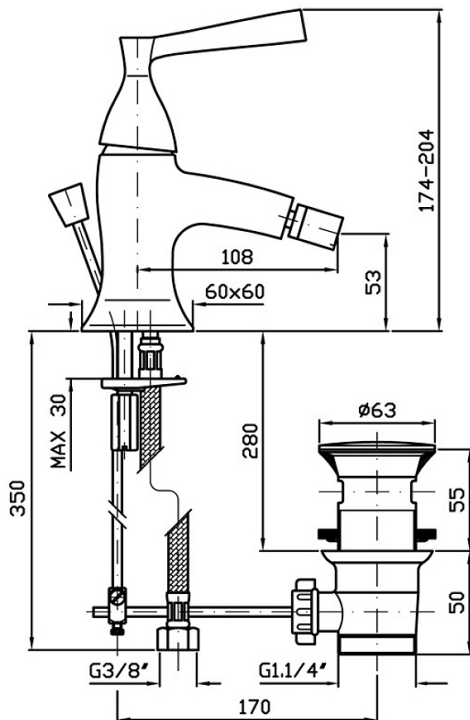
ZP3343

**Finish:** Chrome

**Finishes available:**

Nickel\*, Gold\*, Brushed Gold\*

\*Colours indicated have 16 week lead time.



The Bellagio bidet mixer by Matteo Thun is more than a simple tap, it is a way of viewing the bathroom as a place of refined elegance. It is a timeless element of the decor which confirms its metropolitan and contemporary personality in any environment. Bellagio is an aristocratic and exclusive citizen of the world, despite having such an Italian name testimony of the industrial background in which it has been created.

The Bellagio bidet mixer features a lever handle, pop up waste and is crafted from solid brass.

Spout projection of 108mm.

**WARRANTY**  
15 years

\*Conditions apply.