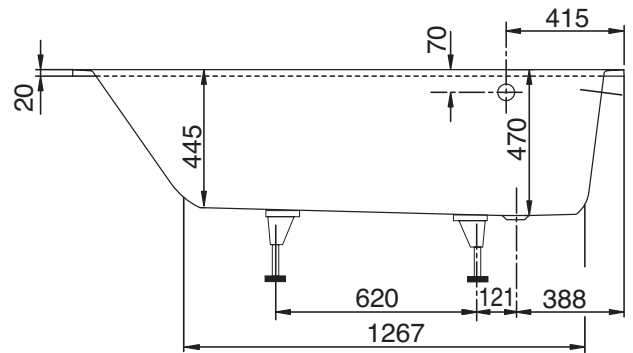
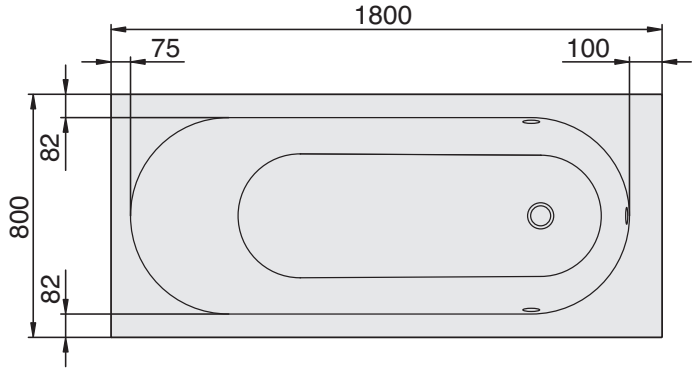
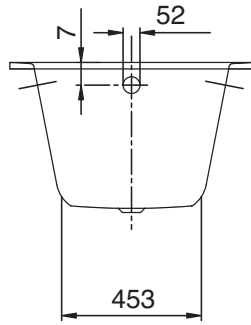


OBERON 1800 DROP IN BATH

Product Image	Technical Specification
---------------	-------------------------



Description	
Oberon 1800 Drop In Bath	
BQ180BE2V	No Overflow No Waste
BQ180BE2VB	Chrome Overflow Waste
BQ180BE2WFB	Chrome Overflow Waste Bath Filler
BQ180BE2VWB	White Overflow Waste
BQ180BE2WWFB	White Overflow Waste Bath Filler
OPTIONAL:	
994613	900mm Tiling Lip
994612	1800mm Tiling Lip

Additional Information
<ul style="list-style-type: none"> Overflow baths are pre-drilled for end Overflow / Bath Filler location Adjustable Bath Feet supplied standard Available with optional integrated Bath Filler For Bath Filler Option, a mixed water supply rough-in point needs to be close to the Bath Filler/ Overflow location and be at least 250mm below the top of the bath Made from Quaryl® 10 Year Warranty *Conditions Apply Weight: 44kg Size in Litres: 175L