
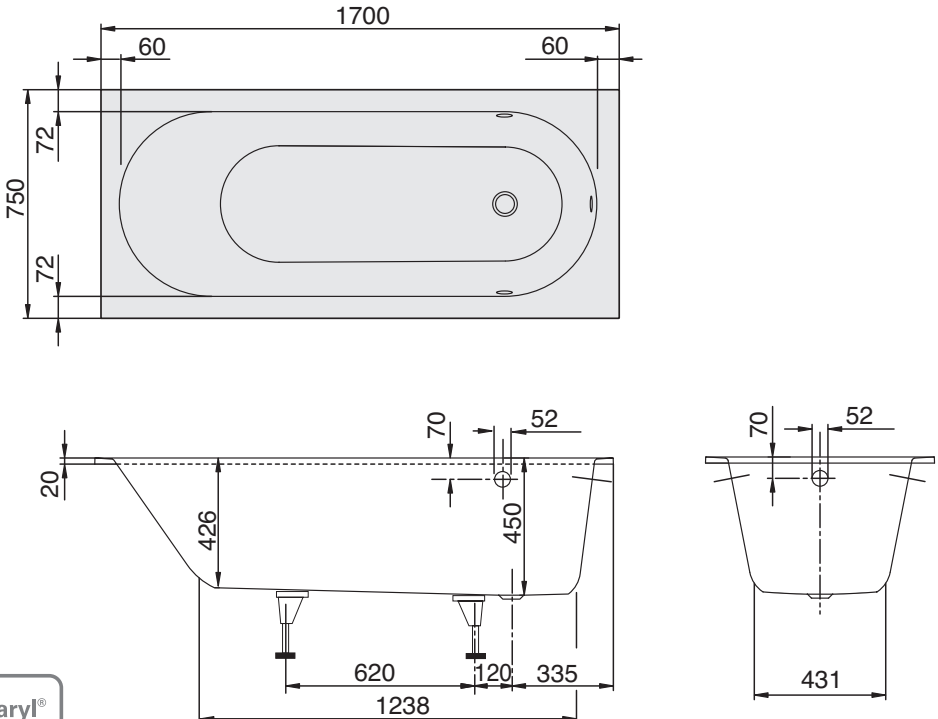


OBERON 1700 DROP IN BATH

Product Image	Technical Specification
 <div data-bbox="491 1220 614 1339" style="border: 1px solid black; padding: 5px; width: fit-content;"> <p>Quaryl® Villeroy & Boch</p> </div>	 <p>Technical drawings showing dimensions for the Oberon 1700 Drop In Bath:</p> <ul style="list-style-type: none"> Top View: Overall width 1700mm, depth 750mm. Inner width 1238mm, inner depth 426mm. Overflow lip width 60mm, waste lip width 60mm. Side View: Bath depth 426mm, top edge height 20mm, waste outlet height 70mm, overflow lip height 52mm. Distance from front edge to waste outlet 620mm, distance between waste outlets 120mm, distance from waste outlet to back edge 335mm. End View: Bath width 431mm, top edge height 70mm, overflow lip height 52mm.

Description	
Oberon 1700 Drop In Bath	
BQ1700BE2V BQ1700BE2VB BQ1700BE2WFB BQ1700BE2VWB BQ1700BE2WWFB	No Overflow No Waste Chrome Overflow Waste Chrome Overflow Waste Bath Filler White Overflow Waste White Overflow Waste Bath Filler
OPTIONAL:	
994613 994612	900mm Tiling Lip 1800mm Tiling Lip

Additional Information
<ul style="list-style-type: none"> • Overflow baths are pre-drilled for end Overflow / Bath Filler location • Adjustable Bath Feet supplied standard • Available with optional integrated Bath Filler • For Bath Filler Option, a mixed water supply rough-in point needs to be close to the Bath Filler/ Overflow Waste location and be at least 250mm below the top of the bath • Made from Quaryl® • 10 Year Warranty *Conditions Apply • Weight: 42kg • Size in Litres: 135L