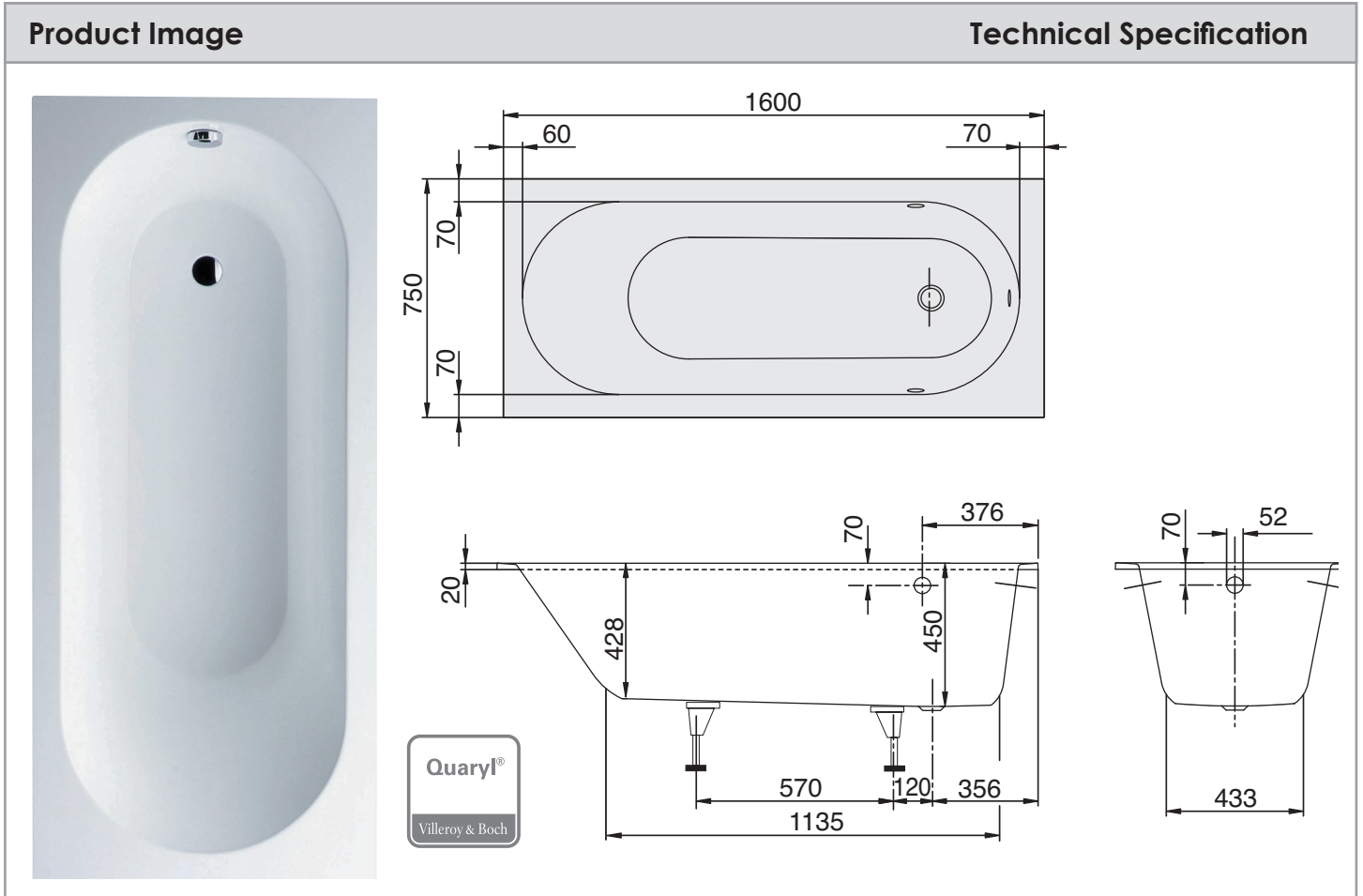


OBERON 1600 DROP IN BATH



Description	
Oberon 1600 Drop In Bath	
BQ160OBE2V	No Overflow No Waste
BQ160OBE2VB	Chrome Overflow Waste
BQ160OBE2WFB	Chrome Overflow Waste Bath Filler
BQ160OBE2VWB	White Overflow Waste
BQ160OBE2WWFB	White Overflow Waste Bath Filler
OPTIONAL:	
994613	900mm Tiling Lip
994612	1800mm Tiling Lip

Additional Information
<ul style="list-style-type: none"> • Overflow baths are pre-drilled for end Overflow / Bath Filler location • Adjustable Bath Feet supplied standard • Available with optional integrated Bath Filler • For Bath Filler Option, a mixed water supply rough-in point needs to be close to the Bath Filler / Overflow location and be at least 250mm below the top of the bath • Made from Quaryl® • 10 Year Warranty *Conditions Apply • Weight: 36kg • Size in Litres: 125L