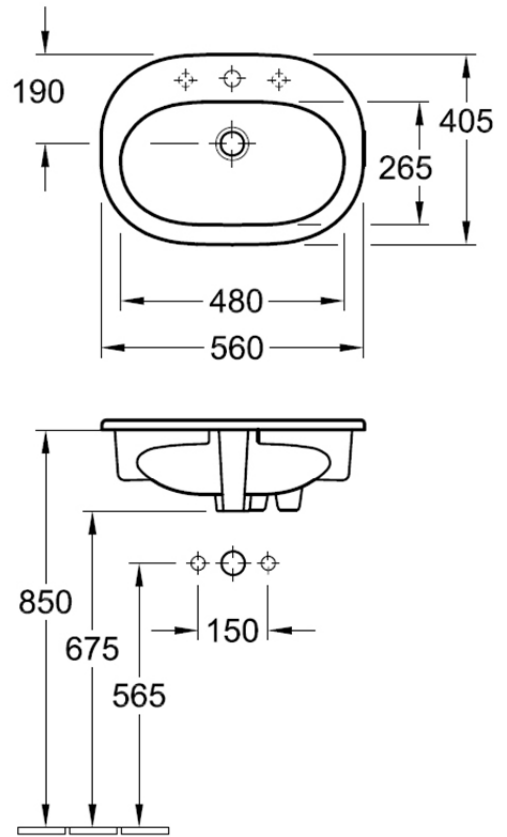




# O.NOVO 560 DROP IN BASIN

Product Image	Technical Specification
---------------	-------------------------



## Description

O.novo 560 Drop In Basin

- 41615601**      1 Tap Hole
- 4161560301**    3 Tap Hole
- 41615701**      1 Tap Hole | No Overflow

## Additional Information

- Recommended Waste K316-D
- Tapware not included
- No Overflow model Hospital Hygiene Compliant
- Recommended Hygiene Compliant Plug & Waste K328-F