



Loop Slim 560 Rect Vessel Basin

No Taphole, TitanCeram

Product Image



Product Details

Code:	4A490001
Brand:	Villeroy & Boch
Range:	LOOP
Warranty:	10 Years*
Product Width:	560 mm
Product Depth:	380 mm
WELS:	N/A

Additional Features

Technical Specification

Required Product

32mm Waste

Recommended Products

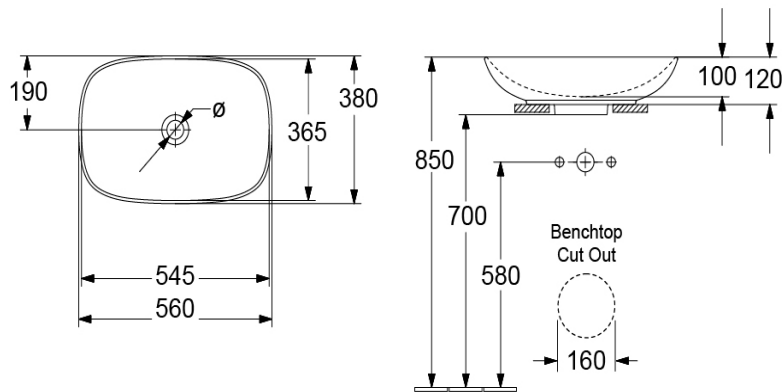
K316-D PUW Waste Series

Additional Notes

- TitanCeram Slim Edge Basin with Slot Overflow

Installation Instructions

- * 160mm Benchtop Cutout required
- * Slot overflow to be installed at the front of basin



Note: All dimensions are in millimetres and are subject to normal manufacturing variations. Always use the physical product measurements for cut-outs and rough-ins as the technical details shown may differ from the actual product. Use acetic cured silicone sealant. Do not use epoxy type adhesives. Clean with damp cloth. Do not use abrasive cleaners, liquids or pastes.