



# Loop Slim 560 Oval Vessel Basin

No Taphole, TitanCeram

**Product Image**



**Product Details**

**Code:** 4A470001  
**Brand:** Villeroy & Boch  
**Range:** LOOP  
**Warranty:** 10 Years\*  
**Product Width:** 560 mm  
**Product Depth:** 380 mm  
**WELS:** N/A

**Additional Features**

**Technical Specification**

**Required Product**  
 32mm Waste

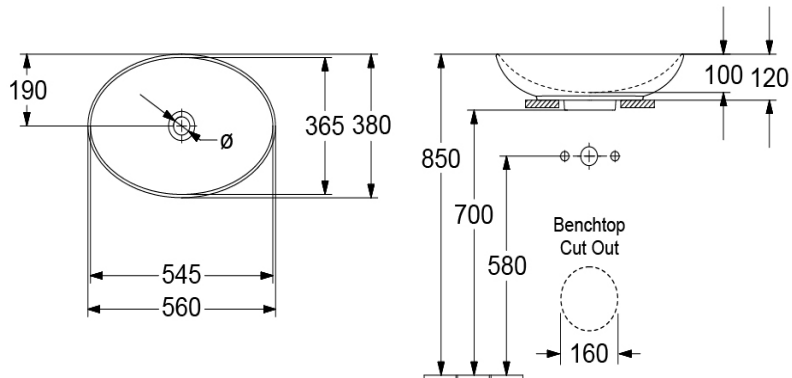
**Recommended Products**  
 K316-D PUW Waste Series

**Additional Notes**

- TitanCeram Slim Edge Basin with Slot Overflow

**Installation Instructions**

- \* 160mm Benchtop Cutout required
- \* Slot overflow to be installed at the front of basin



*Note: All dimensions are in millimetres and are subject to normal manufacturing variations. Always use the physical product measurements for cut-outs and rough-ins as the technical details shown may differ from the actual product. Use acetic cured silicone sealant. Do not use epoxy type adhesives. Clean with damp cloth. Do not use abrasive cleaners, liquids or pastes.*