



Loop Slim 420 Round Vessel Basin

No Taphole, TitanCeram

Product Image **Product Details**



Code: 4A460001
Brand: Villeroy & Boch
Range: LOOP
Warranty: 10 Years*
Product Width: 420 mm
Product Depth: 420 mm
WELS: N/A

Additional Features **Technical Specification**

Required Product
 32mm Waste

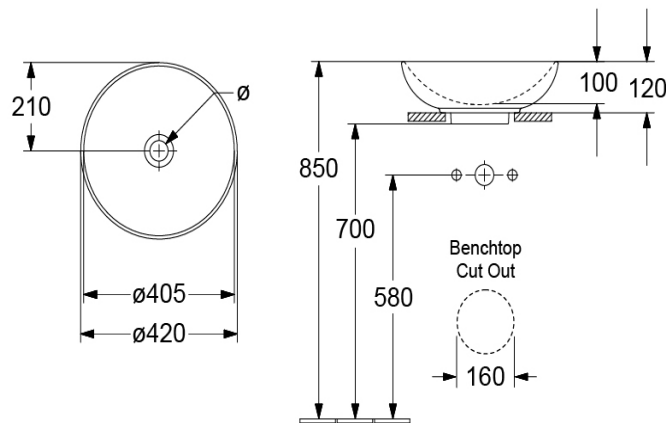
Recommended Products
 K316-D PUW Waste Series

Additional Notes

- TitanCeram Slim Edge Basin with Slot Overflow

Installation Instructions

- * 160mm Benchtop Cutout required
- * Slot overflow to be installed at the front of basin



Note: All dimensions are in millimetres and are subject to normal manufacturing variations. Always use the physical product measurements for cut-outs and rough-ins as the technical details shown may differ from the actual product. Use acetic cured silicone sealant. Do not use epoxy type adhesives. Clean with damp cloth. Do not use abrasive cleaners, liquids or pastes.